



BACK NEXT

**TABLE OF CONTENTS:**

MISCELLANEOUS

ELECTRICAL

PUMP SYSTEM

TRAM SYSTEM

DRILLING UNIT

DUST COLLECTION

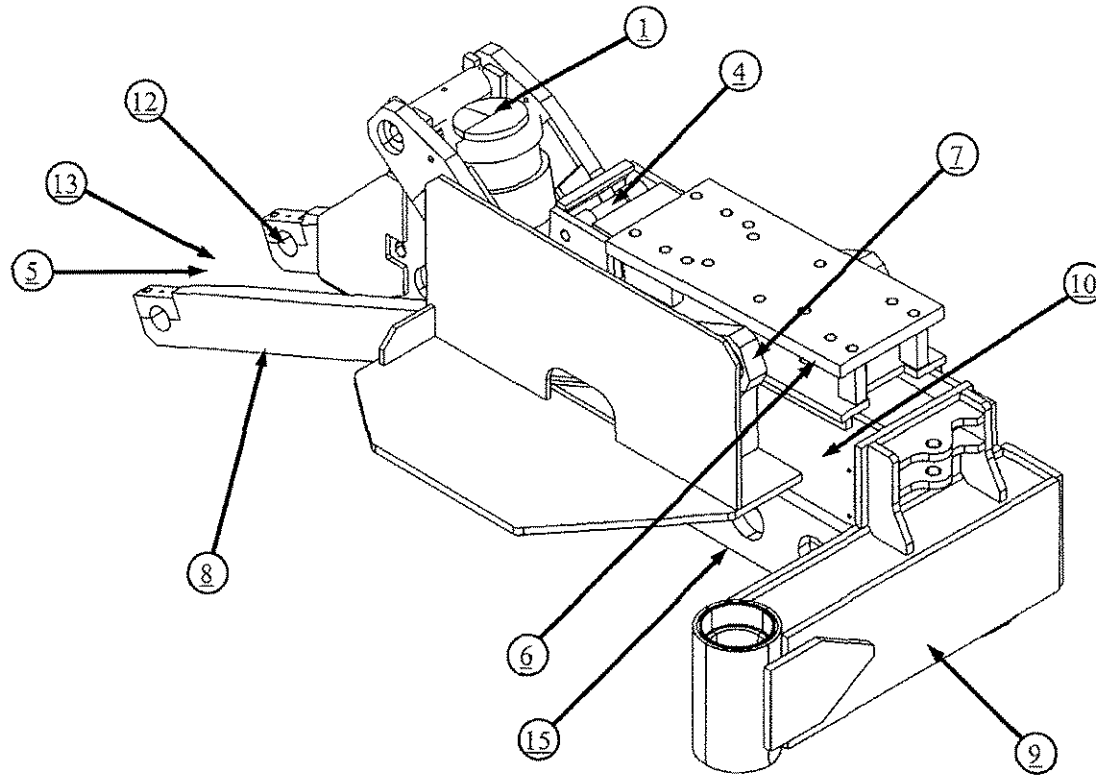
SAFETY COMPONENT

VALVES

WATER (OPTIONAL)

ORDER FORM

**MAIN**



ITEM	DESCRIPTION	PART #	SHEET #	QTY	ITEM	DESCRIPTION	PART #	SHEET #	QTY
1	DRILL FEED CYLINDER	56652	HC-332	2	10	OUTER BOOM ASSEMBLY		MB-641	2
2	BOOM SUMP/EXTEND CYLINDER	152649	HC-463	1	11	BOOM BLOCK PIN ASSEMBLY	280366	MB-709	2
3	BOOM SWING CYLINDER	152317	HC-469C	2	12	DRILLHEAD PIVOT ASSEMBLY		MB-847	2
4	BOOM FOOT CYLINDER	152379	HC-574	2	13	DRILLHEAD ASSEMBLY	55645	MM-72	2
5	DRILLHEAD MOTOR ASSEMBLY	41849	HM-89	2	14	PANTOGRAPH SPROCKET GUARD	176033	MY-402	2
6	BOOM ROLLER GUIDE		MB-393E	2	15	FOOT ASSEMBLY	280435	MY-635	2
7	BOOM ROLLER ASSEMBLY	188761	MB-458	2	16	DRILLHEAD HOSE RETAINER	160815	MY-1008	4
8	BOOM ARM ARRANGEMENT		MB-476A	2	17	BELT GUARD & TAG ARRANGEMENT		MY-1085	2
9	INNER BOOM ASSEMBLY		MB-640	2					

SHEET NO.

TITLE

DATE

J. H. FLETCHER & CO.

DRILLING UNIT ARRANGEMENT

402 HIGH STREET HUNTINGTON, WV



BACK NEXT

**TABLE OF CONTENTS:**

MISCELLANEOUS

ELECTRICAL

PUMP SYSTEM

TRAM SYSTEM

DRILLING UNIT

DUST COLLECTION

SAFETY COMPONENT

VALVES

WATER (OPTIONAL)

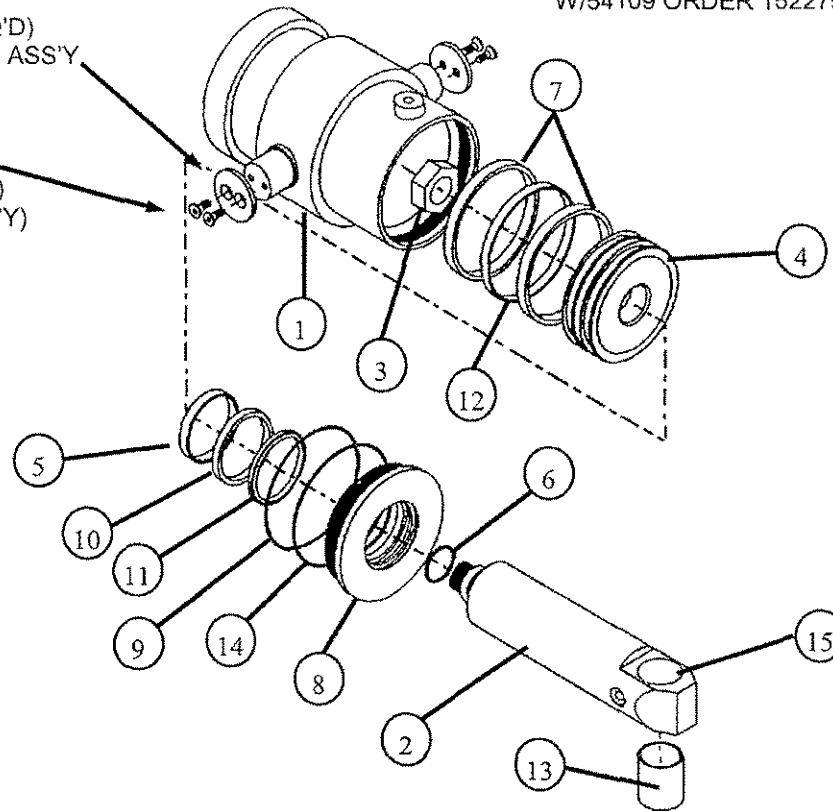
ORDER FORM

MAIN

**NOTE:** TO INCLUDE (2) 40007 BEARINGS, (2)82551 KEEPERS, & (4) 24821 F.H.C.S. W/54109 ORDER 152279 CYLINDER ASSEMBLY

82551 KEEPER (2 REQ'D)  
(NOT PART OF CYLINDER ASS'Y)  
(SEE NOTE)

24821 3/8"-16x3/4" FLAT  
HEAD CAP SCREW (4 REQ'D)  
(NOT PART OF CYLINDER ASS'Y)  
(SEE NOTE)



22417 PACKING KIT

ITEM	DESCRIPTION	PART #	QTY	ITEM	DESCRIPTION	PART #	QTY
1	OUTER SHELL ASSEMBLY	140874	1	9	BACK-UP RING	21403	1
2	ROD ASSEMBLY	140873	1	10	U-CUP	35214	1
3	HEX NUT	21019	1	11	WIPER	22307	1
4	PISTON	31996	1	12	WEAR RING	22365	2
5	WEAR RING	22364	1	13	BUSHING	40354	2
6	O-RING	397	1	14	O-RING	21394	4
7	U-CUP	22314	2	15	PIN (ROD END) (2)24073 SNAP RING	35658	1
8	GLAND ASSEMBLY	31995	1				

SHEET NO.

HC-332

TITLE

56652 DRILL FEED CYLINDER ASSEMBLY

DATE

4-29-98

J. H. FLETCHER & CO.

402 HIGH STREET HUNTINGTON, WV

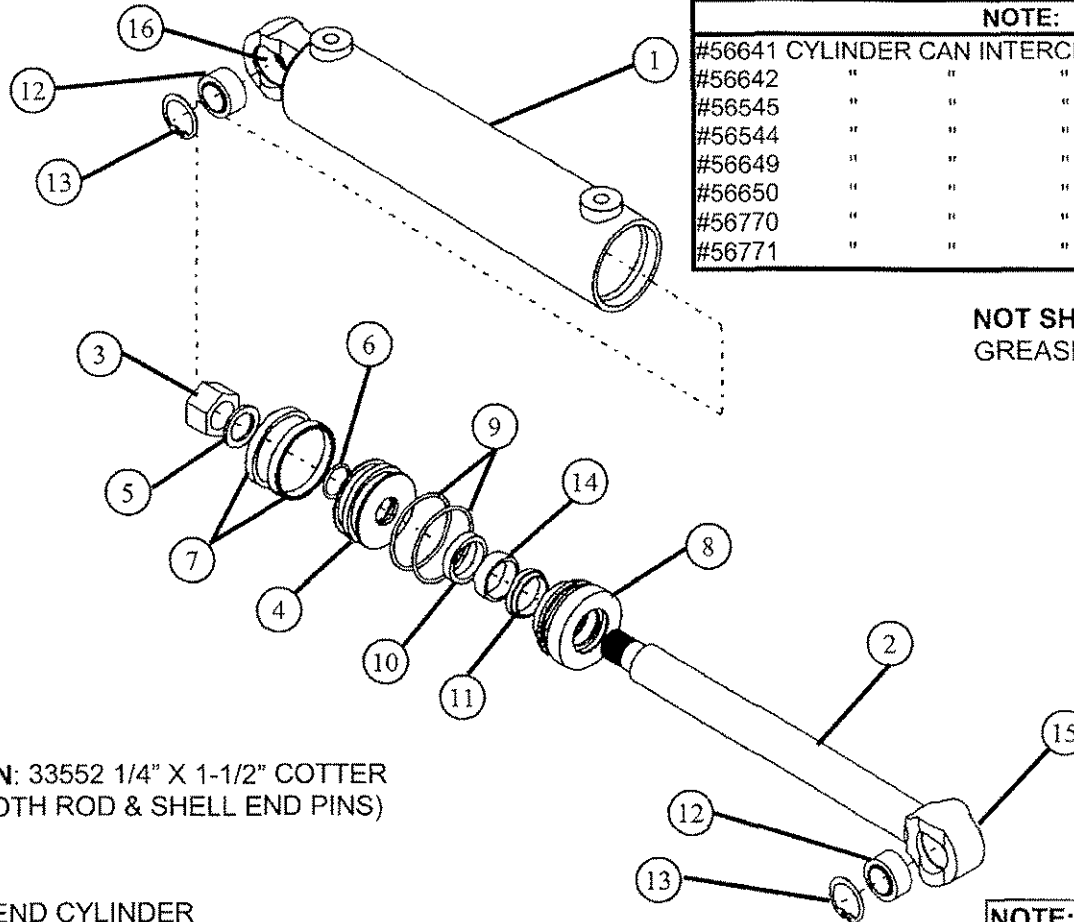


BACK NEXT

**TABLE OF CONTENTS:**

- MISCELLANEOUS
- ELECTRICAL
- PUMP SYSTEM
- TRAM SYSTEM
- DRILLING UNIT
- DUST COLLECTION
- SAFETY COMPONENT
- VALVES
- WATER (OPTIONAL)
- ORDER FORM

**MAIN**



**NOTE:**

#56641	CYLINDER CAN INTERCHANGE WITH #152632
#56642	" " " " " "
#56545	" " " " " #152648
#56544	" " " " " "
#56649	" " " " " #152649
#56650	" " " " " "
#56770	" " " " " #152633
#56771	" " " " " "

**NOT SHOWN: 20296 GREASE FITTING (2 REQ'D)**

**NOT SHOWN: 33552 1/4" X 1-1/2" COTTER PIN (FOR BOTH ROD & SHELL END PINS)**

**BOOM EXTEND CYLINDER**

**NOTE: 35219 PACKING KIT**

ITEM	DESCRIPTION	PART #	QTY	ITEM	DESCRIPTION	PART #	QTY
1	OUTER SHELL ASS'Y	146204	1	9	O-RING & BACK-UP RING	403-21397	1
2	ROD ASS'Y	140561	1	10	U-CUP	22270	1
3	CRIMP NUT	21045	1	11	WIPER	22320	1
4	PISTON	32074	1	12	BUSHING	141532	2
5	FLAT WASHER	142002	1	13	SNAP RING	24129	2
6	O-RING	2384	1	14	WEAR RING	22379	1
7	U-CUP	22271	2	15	PIN (ROD END)	33545	1
8	GLAND ASS'Y	31957	1	16	PIN (SHELL END)	33547	1

<b>SHEET NO.</b>	<b>TITLE</b>	<b>DATE</b>	<b>R</b>	<b>J. H. FLETCHER &amp; CO.</b>
HC-463	152649 HYDRAULIC CYLINDER ASSEMBLY	4-28-97		402 HIGH STREET HUNTINGTON, WV



BACK NEXT

**TABLE OF CONTENTS:**

MISCELLANEOUS

ELECTRICAL

PUMP SYSTEM

TRAM SYSTEM

DRILLING UNIT

DUST COLLECTION

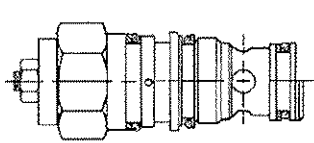
SAFETY COMPONENT

VALVES

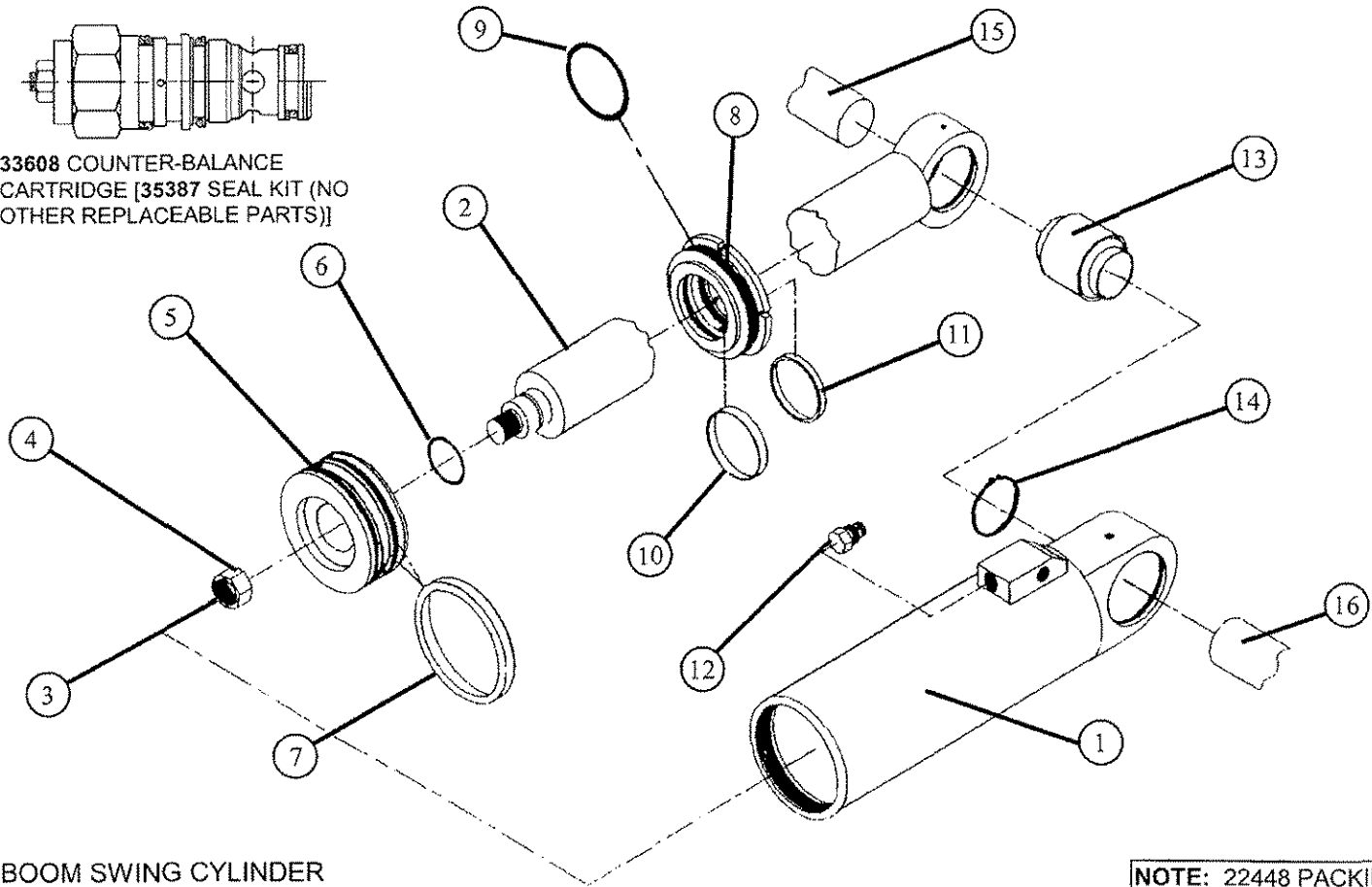
WATER (OPTIONAL)

ORDER FORM

MAIN



33608 COUNTER-BALANCE CARTRIDGE [35387 SEAL KIT (NO OTHER REPLACEABLE PARTS)]



BOOM SWING CYLINDER

NOTE: 22448 PACKING KIT

ITEM	DESCRIPTION	PART #	QTY	ITEM	DESCRIPTION	PART #	QTY
1	OUTER SHELL ASSEMBLY	142678	1	9	O-RING & BACK-UP RING	405 & 34117	1
2	ROD ASSEMBLY	142677	1	10	U-CUP	22309	1
3	HEX NUT	21018	1	11	WIPER	22308	1
4	WASHER (NOT SHOWN)	142230	1	12	CHECK CARTRIDGE	33608	1
5	PISTON	32050		13	BEARING	40401	2
6	O-RING	395	1	14	SNAP RING	24043	4
7	U-CUP	22275	2	15	PIN (ROD END) & 33552 COTTER	35493	1
8	GLAND ASSEMBLY	32051	1	16	PIN (SHELL END) & 33552 COTTER	35493	1

SHEET NO.  
HC-469C

TITLE  
152317 HYDRAULIC CYLINDER ASSEMBLY

DATE  
10-15-85

J. H. FLETCHER & CO.  
402 HIGH STREET HUNTINGTON, WV



BACK NEXT

**TABLE OF CONTENTS:**

MISCELLANEOUS

ELECTRICAL

PUMP SYSTEM

TRAM SYSTEM

DRILLING UNIT

DUST COLLECTION

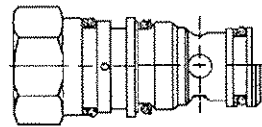
SAFETY COMPONENT

VALVES

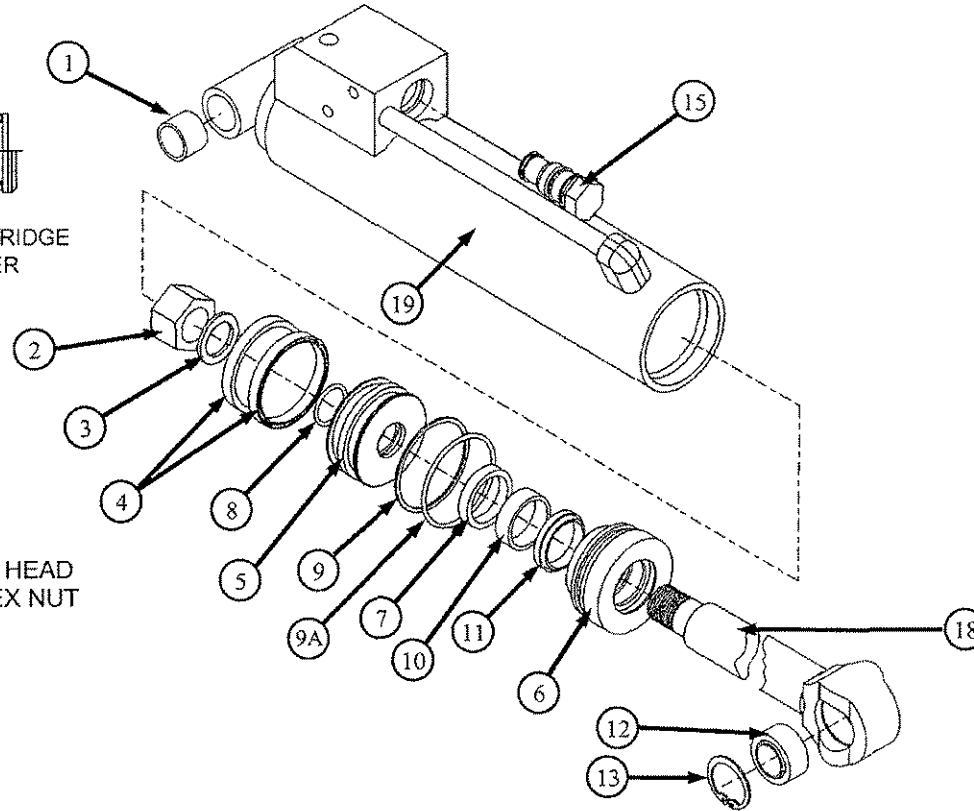
WATER (OPTIONAL)

ORDER FORM

**MAIN**



31577 PILOT CHECK CARTRIDGE  
[35387 SEAL KIT (NO OTHER REPLACEABLE PARTS)]



34259 1/4"-20x3" SOCKET HEAD CAP SCREW & 20986 HEX NUT (FOR SHELL END PIN)

**BOOM FOOT CYLINDER**

NOTE: 35219 PACKING KIT

ITEM	DESCRIPTION	PART #	QTY	ITEM	DESCRIPTION	PART #	QTY
1	BUSHING	52	1	10	WEAR RING	22379	1
2	NUT	21045	1	11	WIPER	22320	1
3	WASHER	142002	1	12	BEARING	141532	1
4	U-CUP	22271	2	13	SNAP RING	24129	1
5	PISTON	32074	1	14	GREASE FITTING	20269	1
6	GLAND	31957	1	15	VALVE CARTRIDGE	31577	1
7	U-CUP	22270	1	16	ROD ASSEMBLY	140867	1
8	O-RING	21279	1	17	OUTER SHELL ASSEMBLY	142745	1
9	O-RING	403	1 EA.	18	ROD PIN	30422	1
9A	BACK UP	21397	1	19	SHELL PIN	35899	1

SHEET NO.  
HC-574

TITLE  
152379 HYDRAULIC CYLINDER

DATE  
1-20-00

R

J. H. FLETCHER & CO.  
402 HIGH STREET HUNTINGTON, WV



BACK NEXT

**TABLE OF CONTENTS:**

MISCELLANEOUS

ELECTRICAL

PUMP SYSTEM

TRAM SYSTEM

DRILLING UNIT

DUST COLLECTION

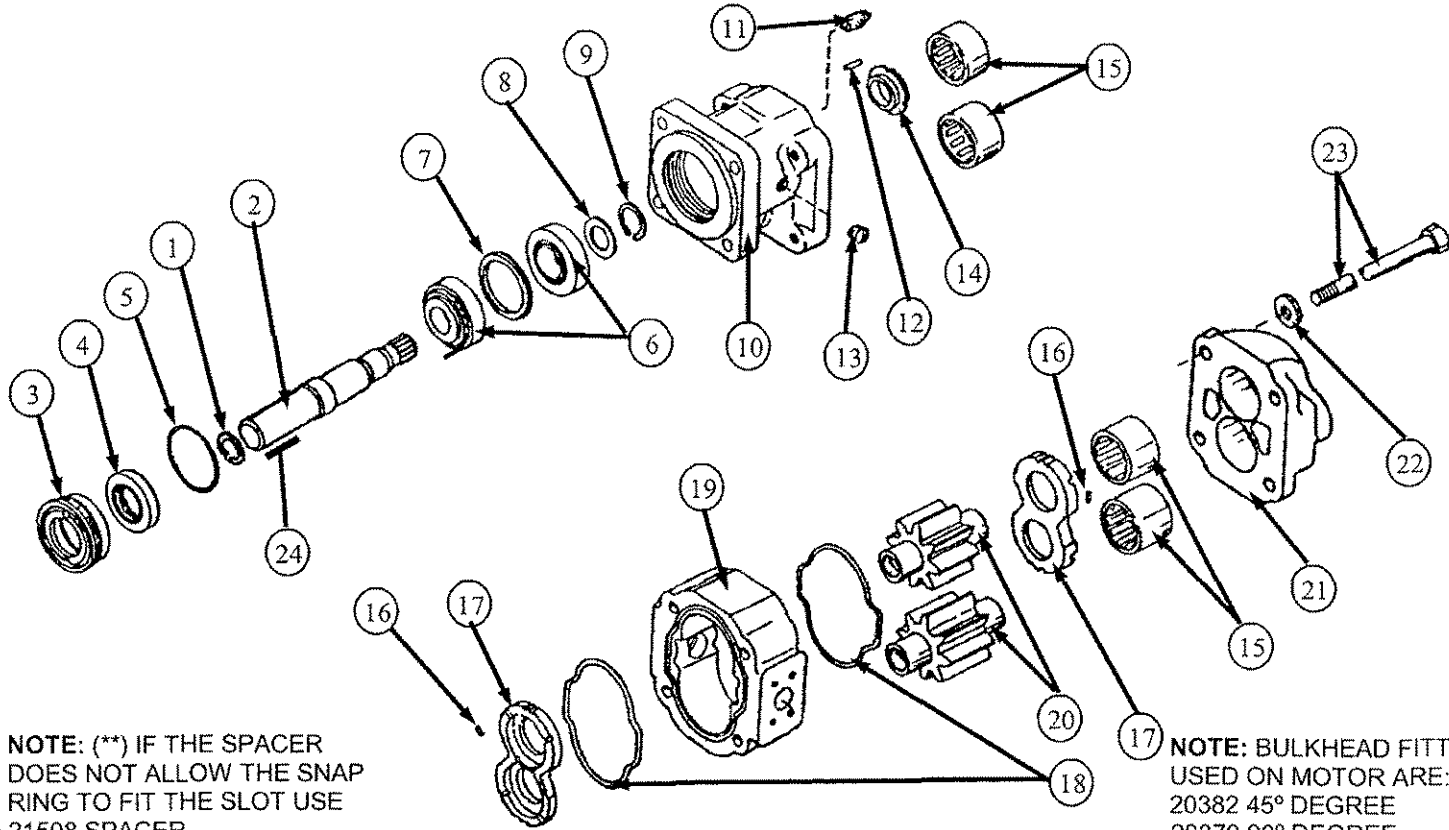
SAFETY COMPONENT

VALVES

WATER (OPTIONAL)

ORDER FORM

**MAIN**



NOTE: (\*\*) IF THE SPACER DOES NOT ALLOW THE SNAP RING TO FIT THE SLOT USE 21508 SPACER

NOTE: BULKHEAD FITTINGS USED ON MOTOR ARE:  
20382 45° DEGREE  
20379 90° DEGREE

ITEM	DESCRIPTION	PART #	QTY	ITEM	DESCRIPTION	PART #	QTY
1	SNAP RING	2442	1	13	PLUG	20267	1
2	SHAFT	30588	1	14	SHAFT BUSHING	40255	1
3	RETAINING RING	23045	1	15	NEEDLE BEARING	40009	4
4	HI PRESSURE SEAL	24250	1	16	POCKET SEAL	21266	12
5	O-RING SEAL	402	1	17	THRUST PLATE	23035	2
6	ROLLER BEARING	40008	2	18	O-RING SEAL	409	2
7	BEARING SPACER	21504	1	19	GEAR HOUSING	47261	1
8	SPACER (**)	21505	1	20	GEAR SET	41257	1
9	SNAP RING	1316	1	21	PORT END COVER	47460	1
10	SHAFT END COVER	47001	1	22	WASHER	22035	4
11	CHECK ASSEMBLY	23048	2	23	BOLT	31754	4
12	ROLL PIN	30397	1	24	SHAFT KEY	23758	1

SHEET NO.

HM-89

TITLE

41849 HYDRAULIC MOTOR

DATE

10-8-97

R

J. H. FLETCHER & CO.

402 HIGH STREET HUNTINGTON, WV



BACK NEXT

**TABLE OF CONTENTS:**

MISCELLANEOUS

ELECTRICAL

PUMP SYSTEM

TRAM SYSTEM

DRILLING UNIT

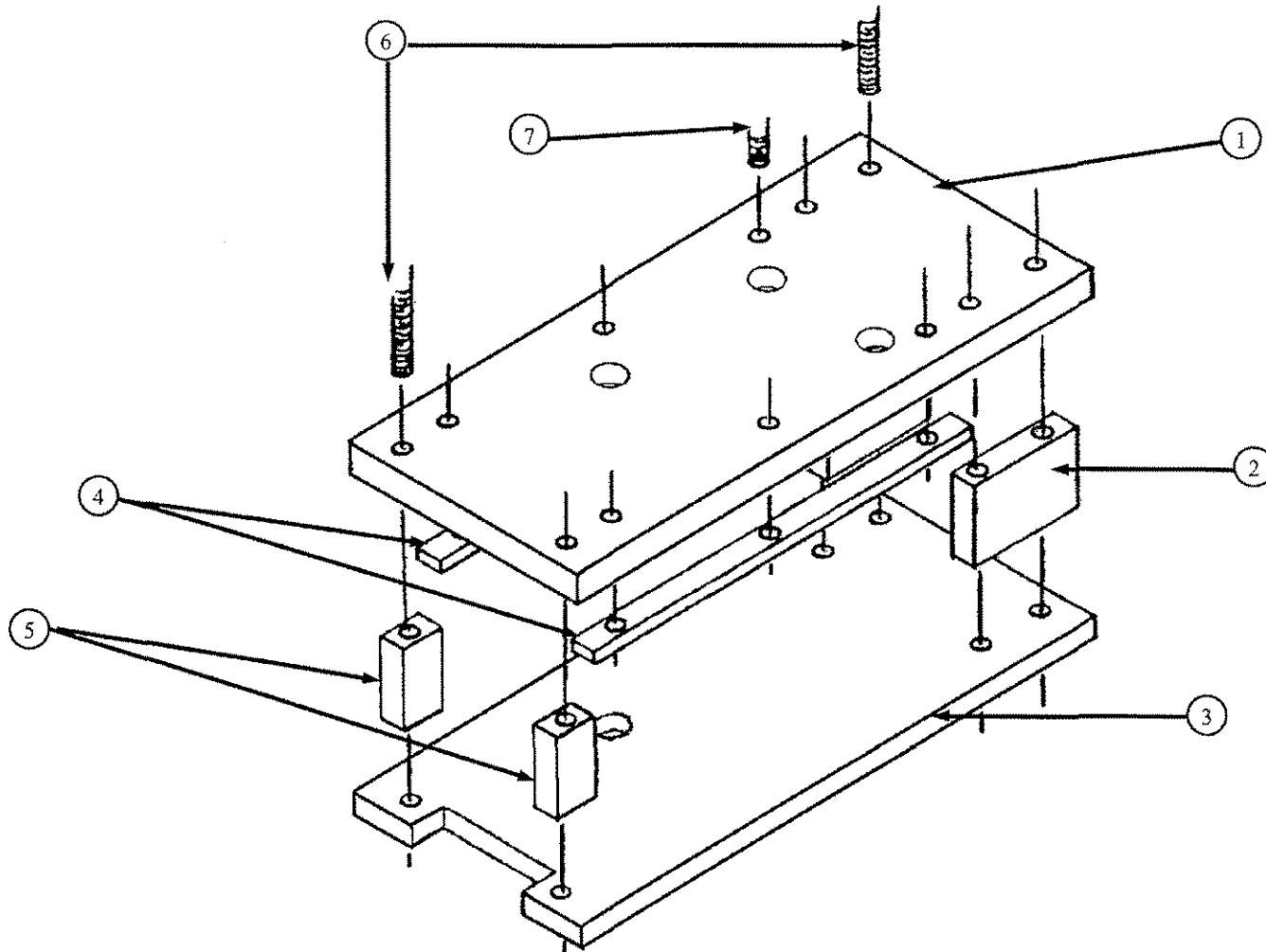
DUST COLLECTION

SAFETY COMPONENT

VALVES

WATER (OPTIONAL)

ORDER FORM



ITEM	DESCRIPTION	PART #	QTY	ITEM	DESCRIPTION	PART #	QTY
1	TOP PLATE ASSEMBLY	<u>200365</u>	1	5	MOUNTING BLOCK ASSEMBLY	<u>200368</u>	2
2	MOUNTING BLOCK ASSEMBLY	<u>200367</u>	2	6	5/8"-11x5" HEX SOCKET HEAD CAP SCREW	24895	6
3	BOTTOM PLATE ASSEMBLY	<u>200366</u>	1	7	5/8"-11x1-1/2" HEX SOCKET HEAD CAP SCREW	20192	6
4	GUIDE BAR ASSEMBLY	<u>200369</u>	2				

**MAIN**

SHEET NO.  
MB-393E

TITLE  
BOOM ROLLER GUIDE ARRANGEMENT

DATE  
10-28-97

J. H. FLETCHER & CO.  
402 HIGH STREET HUNTINGTON, WV



BACK NEXT

**TABLE OF CONTENTS:**

MISCELLANEOUS

ELECTRICAL

PUMP SYSTEM

TRAM SYSTEM

DRILLING UNIT

DUST COLLECTION

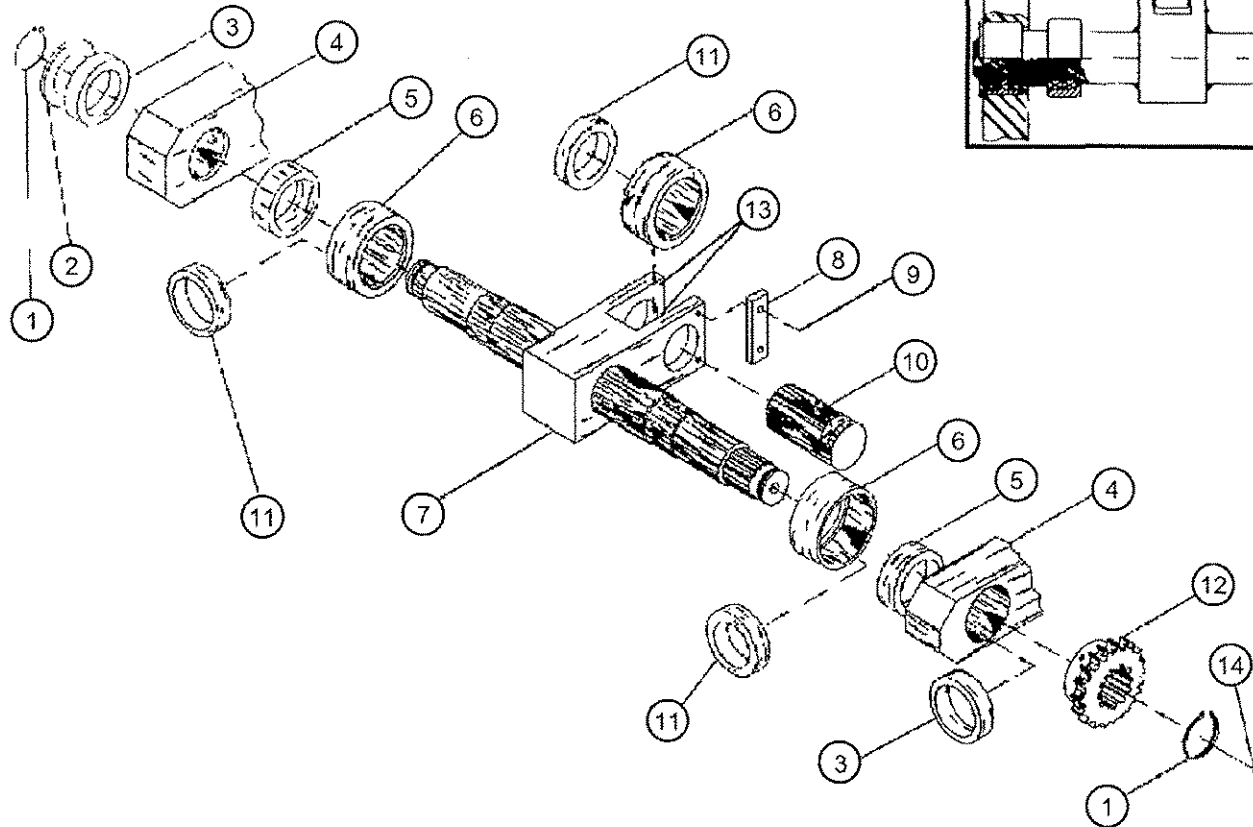
SAFETY COMPONENT

VALVES

WATER (OPTIONAL)

ORDER FORM

MAIN



ITEM	DESCRIPTION	PART #	QTY	ITEM	DESCRIPTION	PART #	QTY
1	SNAP RING	24082	2	8	KEEPER	174025	1
2	FLAT-WASHER & 20176 1/4"-20x1/2" HEX HEAD CAP SCREW	202049	1	9	3/8"-16x7/8" SOCKET HEX HEAD CAP SCREW (NOT SHOWN)	24866	2
3	BEARING	40156	2	10	PIN	33569	1
4	BOOM ARM (SEE SHEET MB-476A)		2	11	BEARING	40167	3
5	SPACER	21631	2	12	SPROCKET (NOT PART OF ASS'Y)	43209	1
6	BEARING RACE	45814	2	13	SPACER (NOT SHOWN)	21844	2
7	SHAFT & BLOCK ASSEMBLY	188762	1	14	GREASE FITTING	20264	1

SHEET NO.

MB-458

TITLE

188761 BOOM ROLLER ASSEMBLY

DATE

7-22-97

R

J. H. FLETCHER & CO.

402 HIGH STREET HUNTINGTON, W.VA.





BACK NEXT

**TABLE OF CONTENTS:**

MISCELLANEOUS

ELECTRICAL

PUMP SYSTEM

TRAM SYSTEM

DRILLING UNIT

DUST COLLECTION

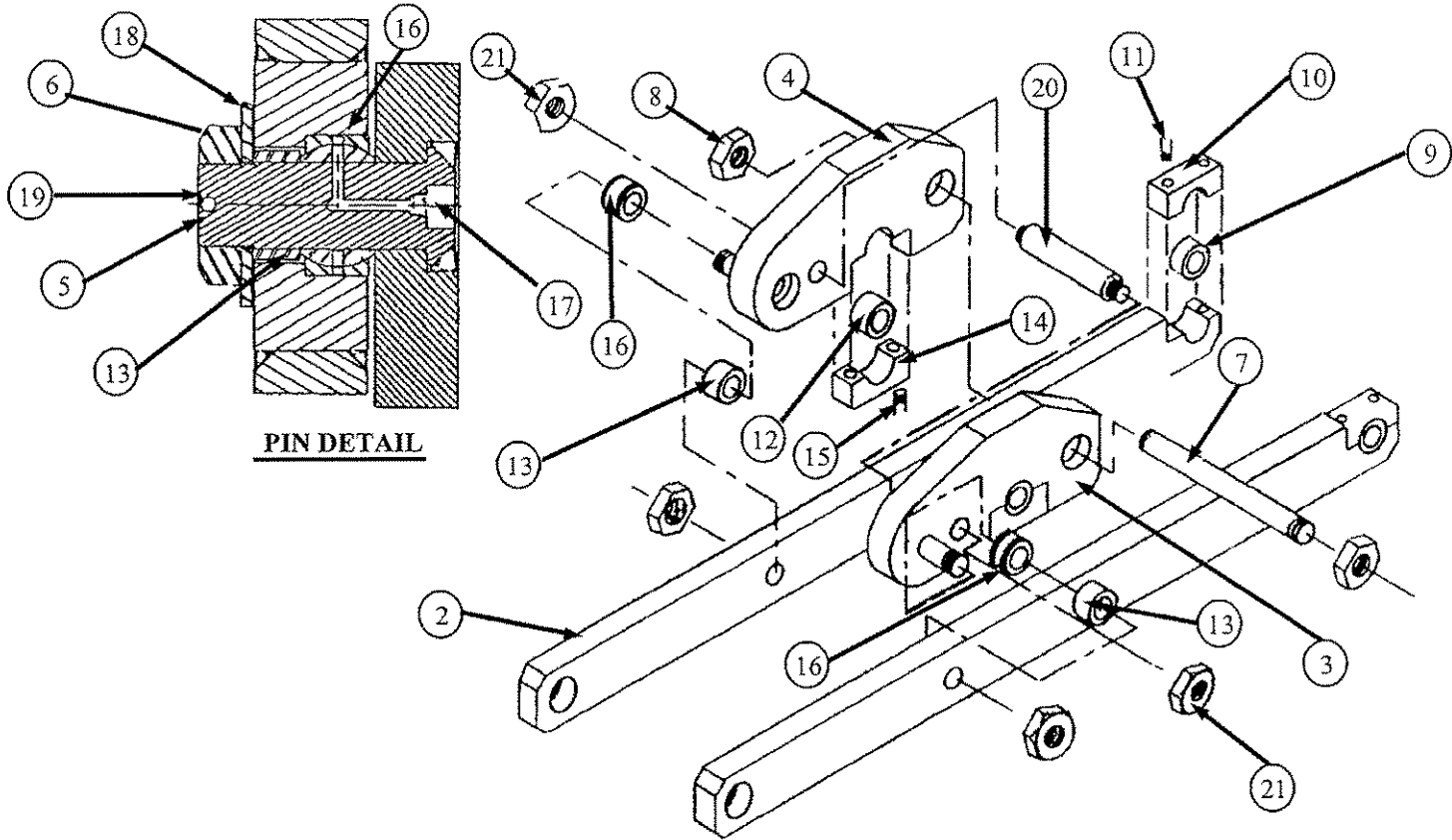
SAFETY COMPONENT

VALVES

WATER (OPTIONAL)

ORDER FORM

**MAIN**



ITEM	DESCRIPTION	PART #	QTY	ITEM	DESCRIPTION	PART #	QTY
1	RIGHT HAND LONG ARM	200361	1	12	BEARING	40007	2
2	LEFT HAND LONG ARM	200360	1	13	SPACER	21901	2
3	RIGHT HAND SHORT ARM	200362	1	14	CAP	88253	2
4	LEFT HAND SHORT ARM	200363	1	15	3/4"-10x4" HEX HEAD CAP SCREW	20070	4
5	SHAFT (PART OF SHORT ARM)	34072	1	16	BEARING	40155	2
6	SLOTTED HEX JAM NUT	21025	2	17	1/8" GREASE FITTING	20264	2
7	SHAFT	30682	1	18	WASHER	22196	2
8	HEX NUT	20904	2	19	1/4"x3" COTTER PIN	30443	2
9	SPLIT BUSHING	141866	2	20	SHAFT	46346	1
10	CAP	88240	2	21	NUT	20854	2
11	3/4"-10x3" SOCKET HEAD CAP SCREW	20160	4				

SHEET NO.  
MB-476A

TITLE  
BOOM ARM ARRANGEMENT

DATE  
10-22-97

J. H. FLETCHER & CO.  
402 HIGH STREET HUNTINGTON, WV

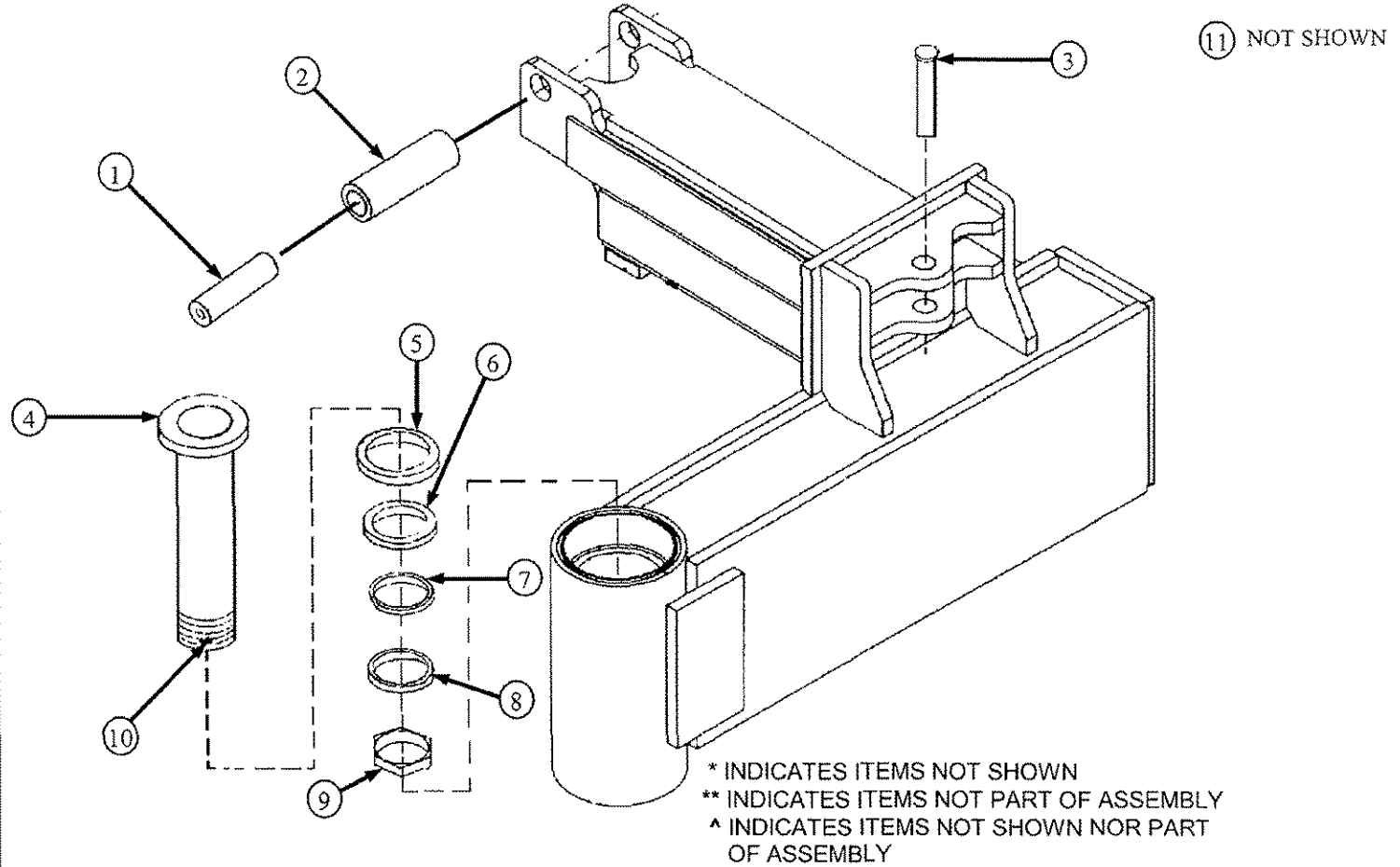


BACK NEXT

**TABLE OF CONTENTS:**

- MISCELLANEOUS
- ELECTRICAL
- PUMP SYSTEM
- TRAM SYSTEM
- DRILLING UNIT
- DUST COLLECTION
- SAFETY COMPONENT
- VALVES
- WATER (OPTIONAL)
- ORDER FORM

**MAIN**



ITEM	DESCRIPTION	PART #	QTY	ITEM	DESCRIPTION	PART #	QTY
1	ROLLER PIN	33333	1	7	BEARING CONE	**40060	2
2	ROLLER ASSEMBLY	45839	1	8	SPACER	**21919	1
3	BOOM SWING CYL. PIN (SHELL END)	HC-469C	1	9	2-3/4"-12 HEX NUT	**20808	1
4	BOOM PIVOT PIN	**46341	1	10	3/8" x 4" COTTER PIN	**35484	1
5	1/4" SQ. x 21" FELT	**22499	2	11	BOOM SUMP CYL. PIN (ROD END)	^ HC-463	1
6	BEARING CUP	40059	2	12	1/8" GREASE FITTING	*20264	1

SHEET NO.  
MB-640

TITLE  
 234405 L.H. INNER BOOM ASSEMBLY (AS SHOWN)  
 234406 R.H. INNER BOOM ASSEMBLY (OPP. HAND)

DATE  
5-10-94

J. H. FLETCHER & CO.  
402 HIGH STREET HUNTINGTON, WV



BACK NEXT

**TABLE OF CONTENTS:**

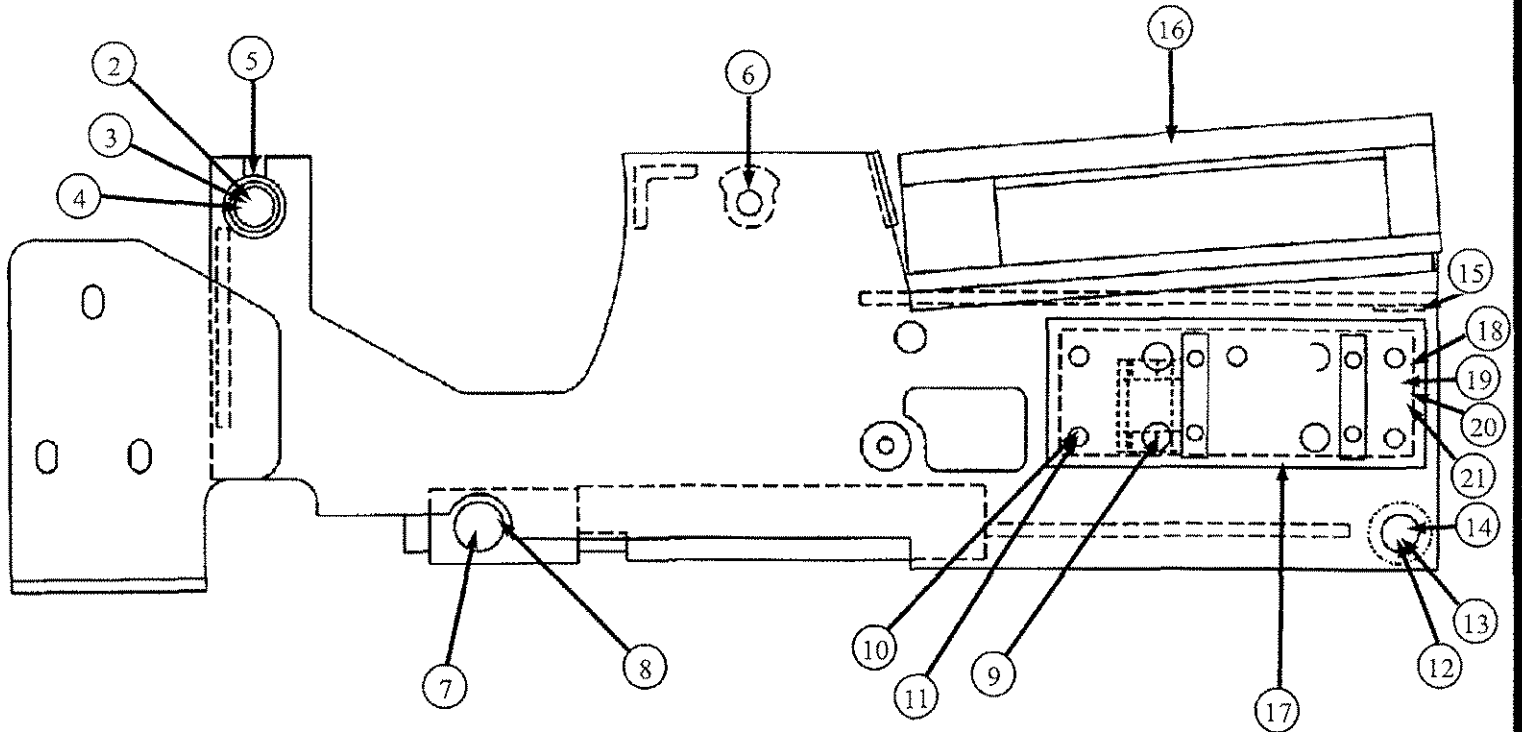
- MISCELLANEOUS
- ELECTRICAL
- PUMP SYSTEM
- TRAM SYSTEM
- DRILLING UNIT
- DUST COLLECTION
- SAFETY COMPONENT

VALVES

WATER (OPTIONAL)

ORDER FORM

**MAIN**



NOTE: \* INDICATES ITEMS NOT PART OF ASSEMBLY  
 \*\* INDICATES ITEMS NOT SHOWN

ITEM	DESCRIPTION	PART #	QTY	ITEM	DESCRIPTION	PART #	QTY
1	BOOM SUMP/EXT. CYLINDER PIN (SHELL END)	**HC-463	2	12	ROLLER	45838	1
2	SHAFT	*30682	1	13	FOOT PIVOT PIN	35659	1
3	NYLON NUT	*20904	2	14	1-3/8"-12 NYLON NUT	20854	1
4	BEARING	*40155	2	15	WEAR BAR ASSEMBLY	200385	2
5	1/8" GREASE FITTING	20264	2	16	ROLLER GUIDE (SEE SHEET MB-393E)	REF.	1
6	BOOM FOOT CYLINDER PIN (SHELL END)	*HC-574	1	17	COVER	200347	1
7	ANCHOR ASSEMBLY	190893	1	18	TAKE-UP BAR	200348	1
8	DRILL FEED CYLINDER PIN (ROD END)	*HC-332	1	19	1/2"-13x1-1/2" H.H.C.S	20063	1
9	1/8" GREASE FITTING	20264	6	20	1/2" LOCKWASHER	22011	1
10	3/4"-10x1-1/2" H.S.S.S.	23557	6	21	1/2" FLAT-WASHER	22019	1
11	3/4"-10 JAM NUT	20989	6				

SHEET NO.  
 MB-641

234422  
234423

TITLE  
 L.H. OUTER BOOM ASSEMBLY  
 R.H. OUTER BOOM ASSEMBLY

DATE  
 4-29-98

J. H. FLETCHER & CO.  
 402 HIGH STREET HUNTINGTON, WV



BACK NEXT

**TABLE OF CONTENTS:**

MISCELLANEOUS

ELECTRICAL

PUMP SYSTEM

TRAM SYSTEM

DRILLING UNIT

DUST COLLECTION

SAFETY COMPONENT

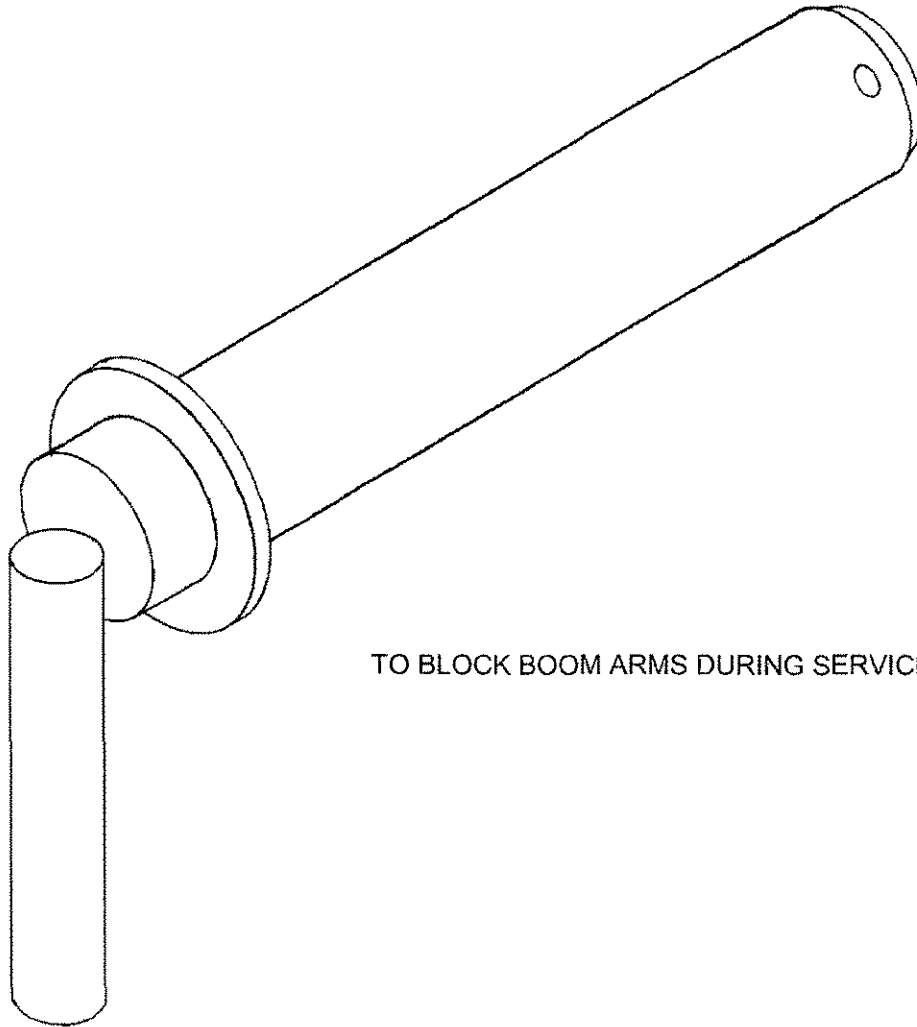
VALVES

WATER (OPTIONAL)

ORDER FORM

**MAIN**

NOT SHOWN: 25470 LYNCH PIN  
(1 REQ'D FOR PIN RETAINER)



TO BLOCK BOOM ARMS DURING SERVICE, TO PREVENT INJURY.

SHEET NO.

MB-709

TITLE

280366 BOOM BLOCK PIN ASSEMBLY

DATE

4-29-98

R

J. H. FLETCHER & CO.

402 HIGH STREET HUNTINGTON, WV



BACK NEXT

**TABLE OF CONTENTS:**

MISCELLANEOUS

ELECTRICAL

PUMP SYSTEM

TRAM SYSTEM

DRILLING UNIT

DUST COLLECTION

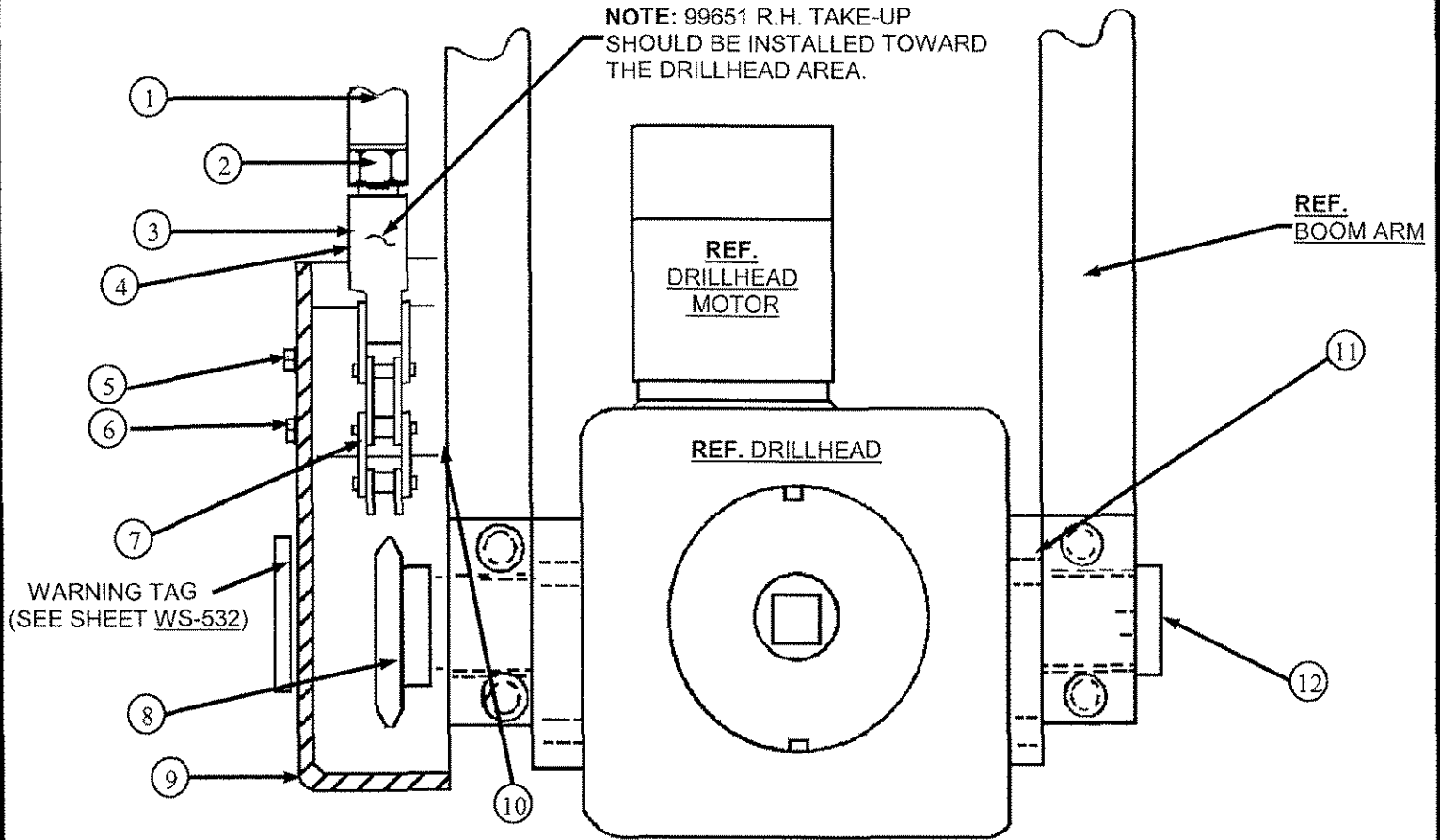
SAFETY COMPONENT

VALVES

WATER (OPTIONAL)

ORDER FORM

**MAIN**



ITEM	DESCRIPTION	PART #	QTY	ITEM	DESCRIPTION	PART #	QTY
1	PANTOGRAPH ROD	163442	2	7	CHAIN	144037	2
2	3/4"16 HEX JAM NUT	20903	2	8	LEVELING TRUNION MOUNT AND SPROCKET	296727	1
3	TAKE-UP R.H.	99651	1	9	SPROCKET GUARD	167033	1
4	TAKE-UP L.H.	99652	1	10	SPROCKET GUARD MOUNT	161178	1
5	3/4-10x1-3/4" HEX HEAD CAP SCREW	20041	2	11	1/2-13x1-1/2" HEX SOCKET HEAD CAP SCREW	20014	8
6	3/4" LOCKWASHER	22022	2	12	RING TRUNION	296726	1

SHEET NO. MB-847	TITLE DRILLHEAD PIVOT ARRANGEMENT	DATE 10-01-99	J. H. FLETCHER & CO. 402 HIGH STREET HUNTINGTON, WV
---------------------	--------------------------------------	------------------	--



BACK NEXT

**TABLE OF CONTENTS:**

MISCELLANEOUS

ELECTRICAL

PUMP SYSTEM

TRAM SYSTEM

DRILLING UNIT

DUST COLLECTION

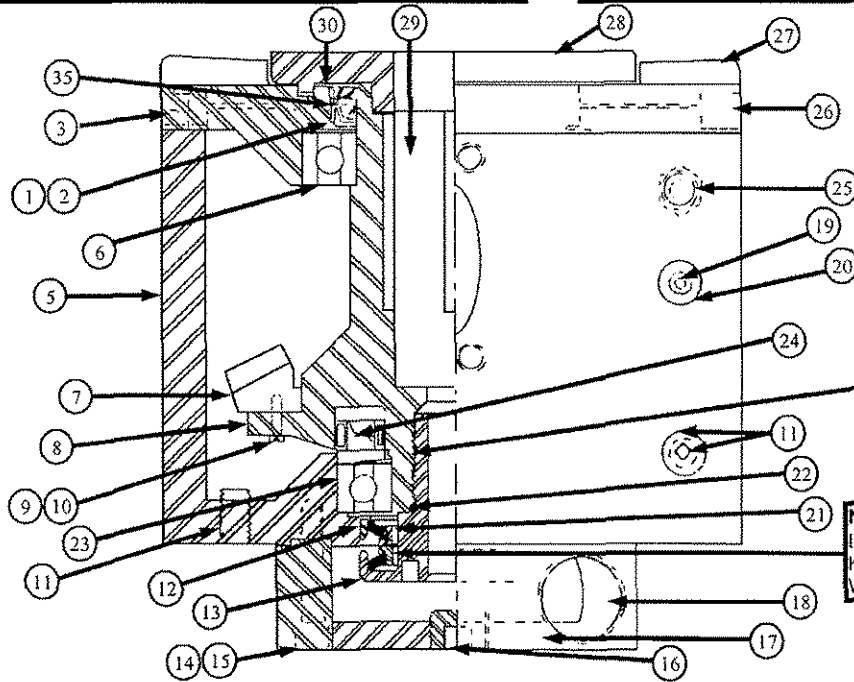
SAFETY COMPONENT

VALVES

WATER (OPTIONAL)

ORDER FORM

MAIN



NOTES: #31 & #32 SPACERS, SHOWN USED FOR HYDRAULIC MOTOR.  
 \* INDICATES PARTS INCLUDED IN 55647 REBUILD KIT.  
 ^ INDICATES PARTS INCLUDED IN 55646 CONVERSION KIT (CONVERTS OLD DRILLHEAD TO NEW DRILLHEAD).

ORDER 55900 WATER DRILLHEAD CONVERSION KIT TO CONVERT A CAT SEAL DEEP SOCKET DRILLHEAD TO A WET DRILLHEAD (DEUBLIN UNION TYPE).

NOT SHOWN: 132004 SIGHT PLUG

NOTE: CLEAN OIL FROM ALL THREADED SURFACES AND APPLY LOCTITE PROVIDED W/SEAL KIT TO SEAL RETAINER WHEN INSTALLING.

NOTE: 25508 THREAD LOCKER MUST BE USED WHEN INSTALLING SEAL RETAINER (INCLUDED IN 35050 SEAL KIT). CLEAN SURFACES WITH TISSUE PAPER PROVIDED WITH SEAL KIT BEFORE INSTALLING SEAL.

55634 DRILLHEAD ASS'Y ONLY

55645 DRILLHEAD ASS'Y W/MOTOR

ITEM	DESCRIPTION	PART #	QTY	ITEM	DESCRIPTION	PART #	QTY
1	SEAL	^^24393	1	19	3/4" FLUSH GREASE FITTING	20548	1
2	SPEEDI SLEEVE	^^24395	1	20	1" x 3/4" NPT PIPE BUSHING	20546	1
3	3/8"-16x3/4" SOCKET HEAD CAP SCREW	20186	12	21	SEAL KIT	^^35050	1
5	DRILLHEAD BOX	94346	1	22	O-RING	^^35327	1
6	BEARING	^^45464	1	23	BEARING	^^2501	1
7	RING GEAR & PINION SET	41268	1	24	THRUST BEARING	^145026	1
8	SOCKET SHAFT	^181350	1	25	FLUSH GREASE FITTING	120727	1
9	3/8"-24x3/4" HEX HEAD CAP SCREW	20026	10	26	1/8" NPT GREASE FITTING	20264	2
10	3/8" LOCKWASHER (OPTIONAL)	22010	10	27	TOP COVER	94376	1
11	1" NPT PIPE PLUG	32627	3	28	FLINGER	161022	1
12	SEAL ADAPTER RING	^181397	1	29	SOCKET	<u>172512</u>	1
13	SEAL RETAINER KIT	^35052	1	30	SEAL	^^24393	1
14	1/2"-13x2-1/4" SOCKET HEAD CAP SCREW	^20163	4	31	SPACER	^^63905	1
15	1/2" LOCKWASHER	^22046	4	32	SPACER	^^60996	1
16	NPT SQUARE PLUG	32606	1	33	SNAP RING	^^24037	1
17	BOTTOM COVER ASS'Y	^181349	1	34	DRILLHEAD MOTOR (SEE SHEET HM-89)	<u>41849</u>	1
18	DUST HOSE NIPPLE	^^20352	1	35	GREASE RING	121508	1

SHEET NO.

MM-72

TITLE

DRILLHEAD ASSEMBLY

DATE

5-4-98

J. H. FLETCHER & CO.

402 HIGH STREET HUNTINGTON, WV



BACK NEXT

**TABLE OF CONTENTS:**

MISCELLANEOUS

ELECTRICAL

PUMP SYSTEM

TRAM SYSTEM

DRILLING UNIT

DUST COLLECTION

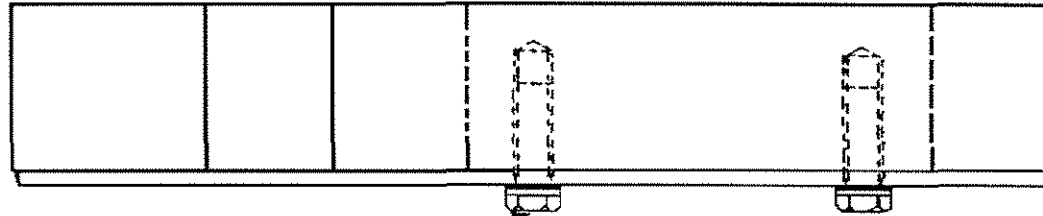
SAFETY COMPONENT

VALVES

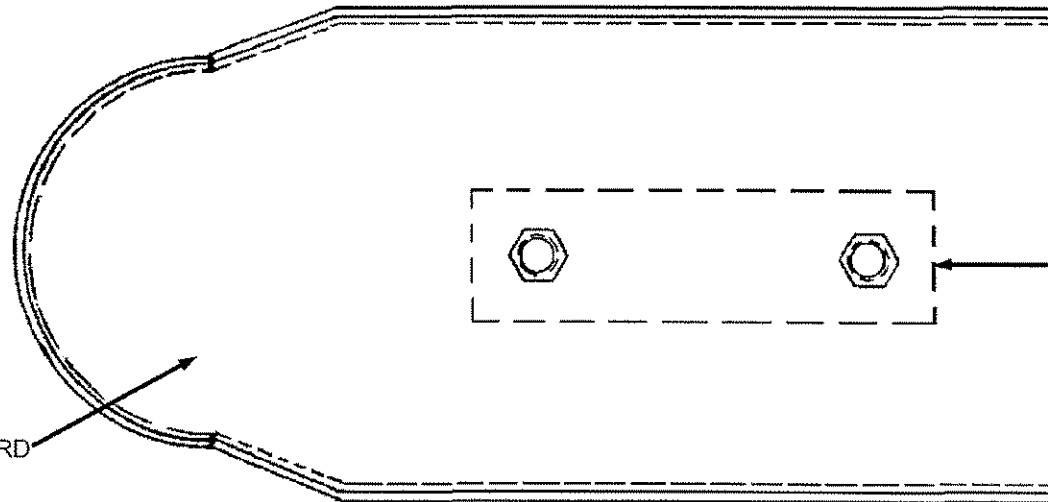
WATER (OPTIONAL)

ORDER FORM

MAIN



20041 3/4-10x1-3/4" HEX HEAD CAP SCREW  
22022 3/4" LOCKWASHER (2 REQ'D EACH)



167033 GUARD

161178 MOUNT

SHEET NO.  
MY-402

TITLE  
PANTOGRAPH SPROCKET GUARD

DATE  
11-4-97

J. H. FLETCHER & CO.  
402 HIGH STREET HUNTINGTON, WV



BACK NEXT

**TABLE OF CONTENTS:**

MISCELLANEOUS

ELECTRICAL

PUMP SYSTEM

TRAM SYSTEM

DRILLING UNIT

DUST COLLECTION

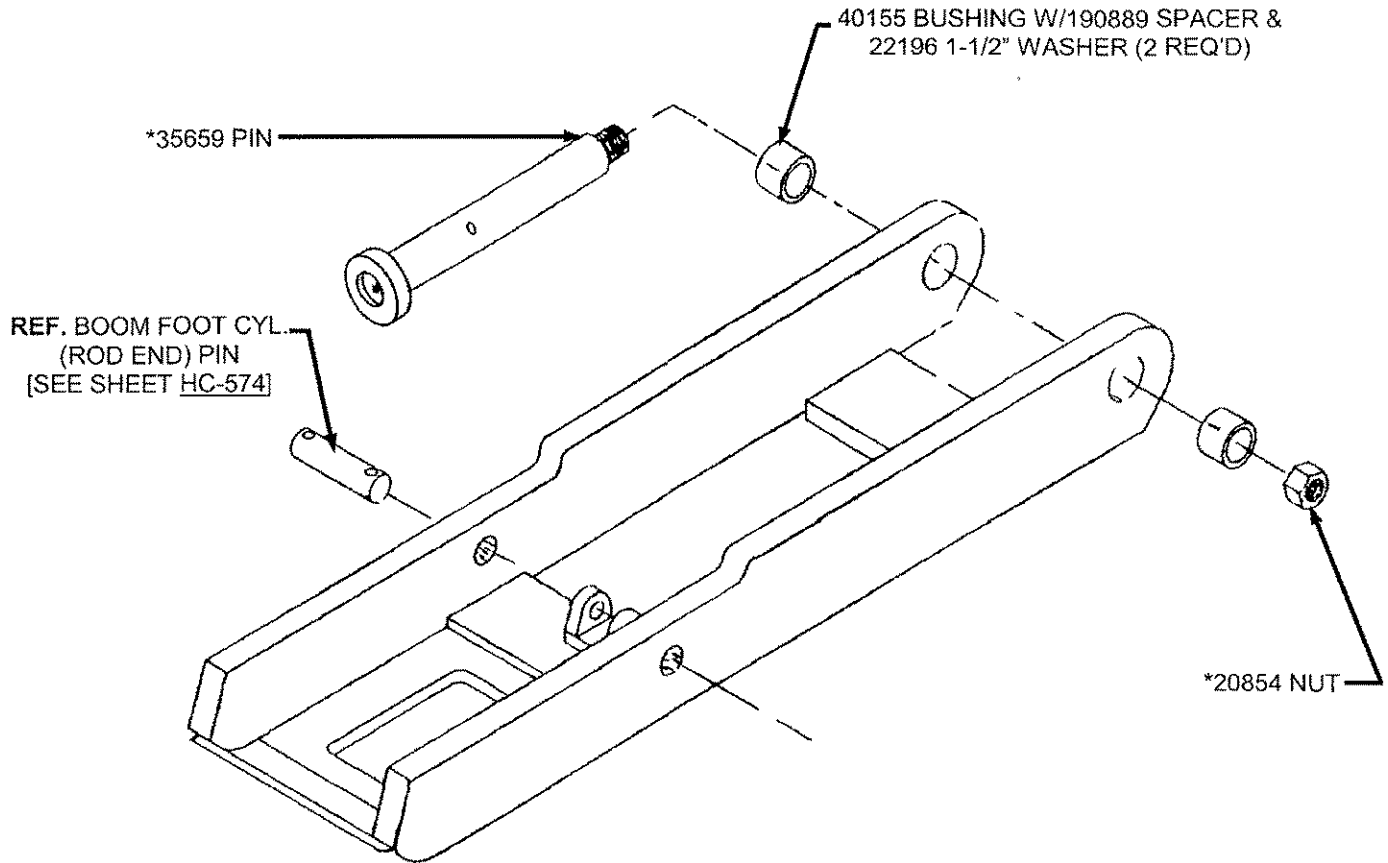
SAFETY COMPONENT

VALVES

WATER (OPTIONAL)

ORDER FORM

**MAIN**



NOTE: \* INDICATES PARTS NOT PART OF ASSEMBLY

SHEET NO.	TITLE	DATE	R	J. H. FLETCHER & CO.
MY-635	200376 BOOM FOOT ASSEMBLY	4-29-98		402 HIGH STREET HUNTINGTON, WV





BACK NEXT

**TABLE OF CONTENTS:**

MISCELLANEOUS

ELECTRICAL

PUMP SYSTEM

TRAM SYSTEM

DRILLING UNIT

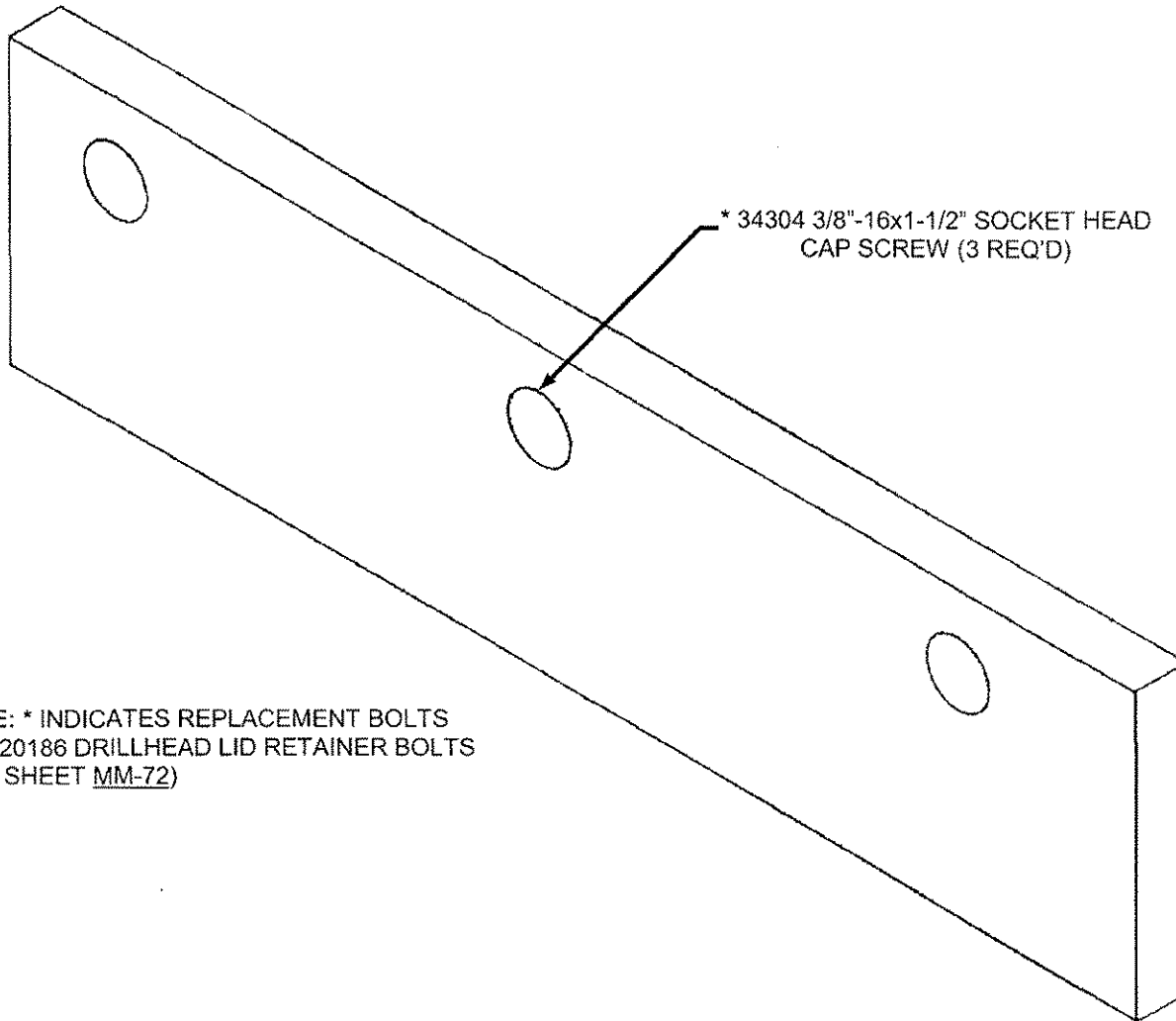
DUST COLLECTION

SAFETY COMPONENT

VALVES

WATER (OPTIONAL)

ORDER FORM



NOTE: \* INDICATES REPLACEMENT BOLTS FOR 20186 DRILLHEAD LID RETAINER BOLTS (SEE SHEET MM-72)

2 REQ'D FOR EACH DRILLHEAD

**MAIN**

SHEET NO.	TITLE	DATE	J. H. FLETCHER & CO.
MY-1008	160815 HOSE RETAINER FOR DRILLHEAD LID	4-28-98	402 HIGH STREET HUNTINGTON, WV



BACK NEXT

**TABLE OF CONTENTS:**

MISCELLANEOUS

ELECTRICAL

PUMP SYSTEM

TRAM SYSTEM

DRILLING UNIT

DUST COLLECTION

SAFETY COMPONENT

VALVES

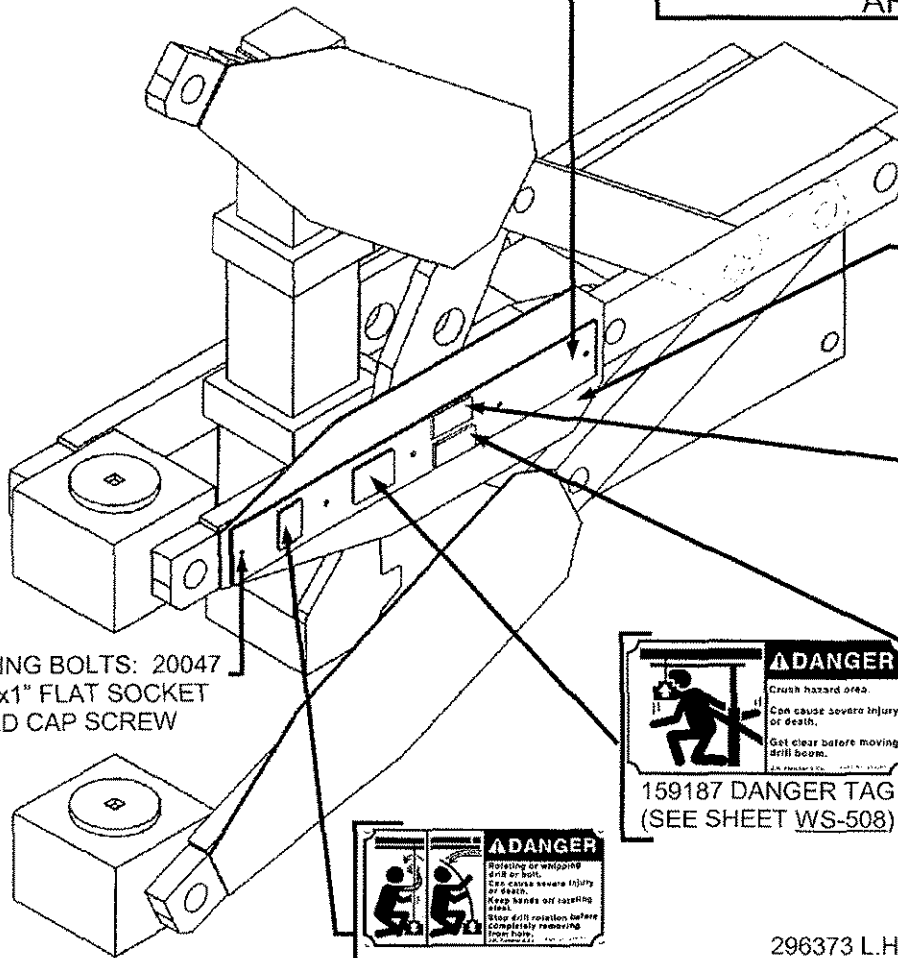
WATER (OPTIONAL)

ORDER FORM

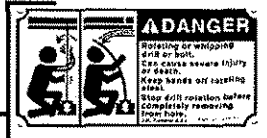
**MAIN**

**NOTE: USE 25556 1/8" POP RIVET TO SECURE TAGS (4 REQ'D PER TAG)**

232697 BELT GUARD RETAINER PLATE 72" & 84" FEED  
235201 BELT GUARD RETAINER PLATE 60" FEED



MOUNTING BOLTS: 20047  
3/8"-16x1" FLAT SOCKET  
HEAD CAP SCREW



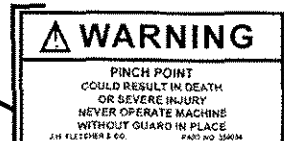
159253 DANGER TAG  
(SEE SHEET WS-500)



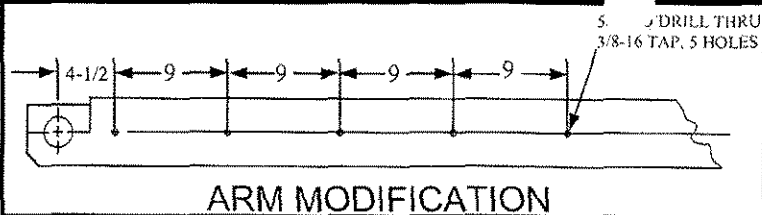
159187 DANGER TAG  
(SEE SHEET WS-508)



359070 DANGER TAG  
(SEE SHEET WS-536)



359034 WARNING TAG  
(SEE SHEET WS-532)



232696 BELT GUARD (40")  
(5 MOUNTING BOLTS REQ'D FOR EACH) (FOR 72" & 84" FEED BOOMS)  
235202 BELT GUARD (31")  
(4 MOUNTING BOLTS REQ'D FOR EACH) (FOR 60" FEED BOOM)

296373 L.H. GUARD KIT (AS SHOWN) 60" FEED  
296374 R.H. GUARD KIT (OPP. HAND) 60" FEED  
296166 L.H. GUARD KIT (AS SHOWN) 72" & 84" FEED  
296167 R.H. GUARD KIT (OPP. HAND) 72" & 84" FEED

SHEET NO.	TITLE	DATE	R	J. H. FLETCHER & CO.
MY-1085	BELT GUARD & TAG ARRANGEMENT KIT	4-28-99		402 HIGH STREET HUNTINGTON, WV