



BACK NEXT

TABLE OF CONTENTS:

MISCELLANEOUS

ELECTRICAL

PUMP SYSTEM

TRAM SYSTEM

DRILLING UNIT

DUST COLLECTION

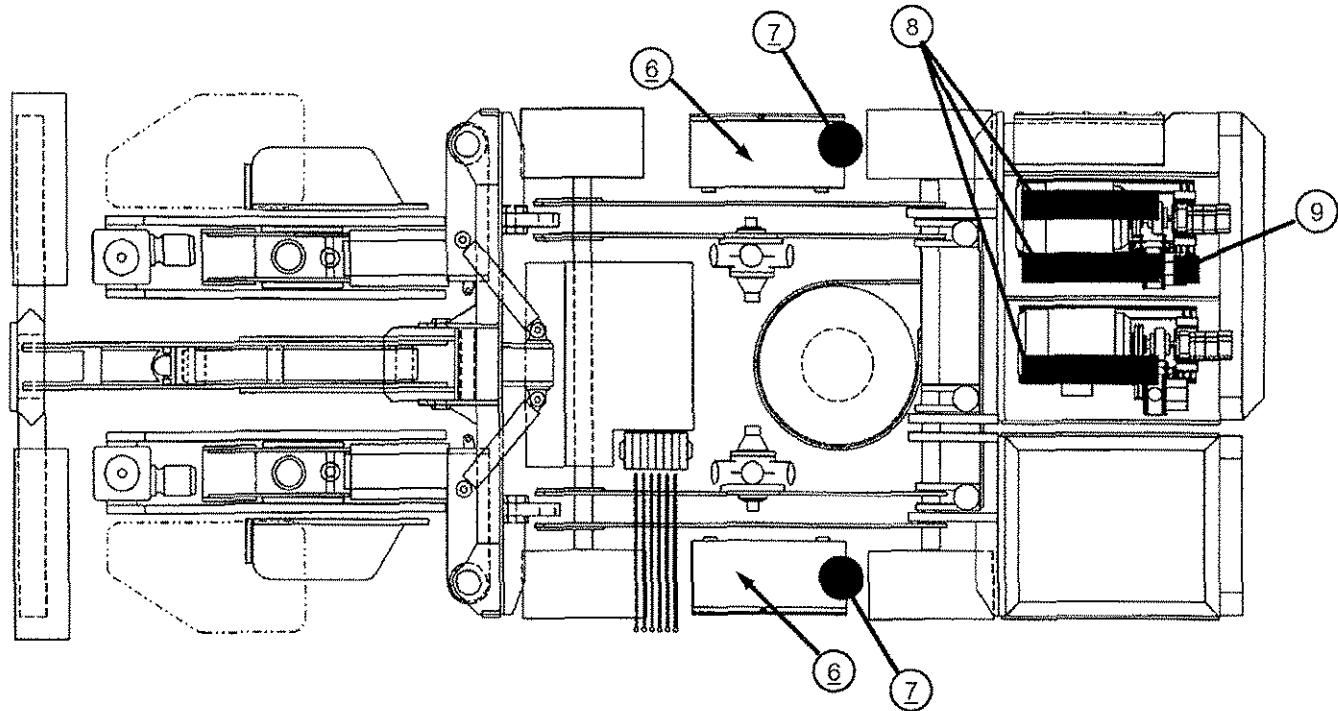
SAFETY COMPONENT

VALVES

WATER (OPTIONAL)

ORDER FORM

MAIN



ITEM	DESCRIPTION	PART #	SHEET #	QTY
	DUST COLLECTION CIRCUIT		<u>DCC10</u>	
1	PRE-CLEANER CYLINDER	152352	<u>HC-572</u>	2
2	BLOWER MOUNT ASSEMBLY	45629	<u>MY-468</u>	2
3	BLOWER BELT GUARD ASSEMBLY	295549	<u>MY-1560</u>	2
4	ELECTRIC MOTOR, PUMP & BLOWER MOUNT	299878	<u>MY-1688</u>	2
5	BLOWER ASSEMBLY	42098	<u>SP-68</u>	2
6	DUST TANK ASSEMBLY	56226	<u>SP-74</u>	2
7	PRE-CLEANER ASSEMBLY	281947	<u>SP-81D</u>	2
8	MUFFLER ASSEMBLY	17808	N/A	3
9	AIR IN-TAKE FILTER	46930	N/A	1

SHEET NO.

TITLE

DATE

J. H. FLETCHER & CO.

LOCATIONS FOR DUST SYSTEM

402 HIGH STREET HUNTINGTON, WV



BACK NEXT

TABLE OF CONTENTS:

MISCELLANEOUS

ELECTRICAL

PUMP SYSTEM

TRAM SYSTEM

DRILLING UNIT

DUST COLLECTION

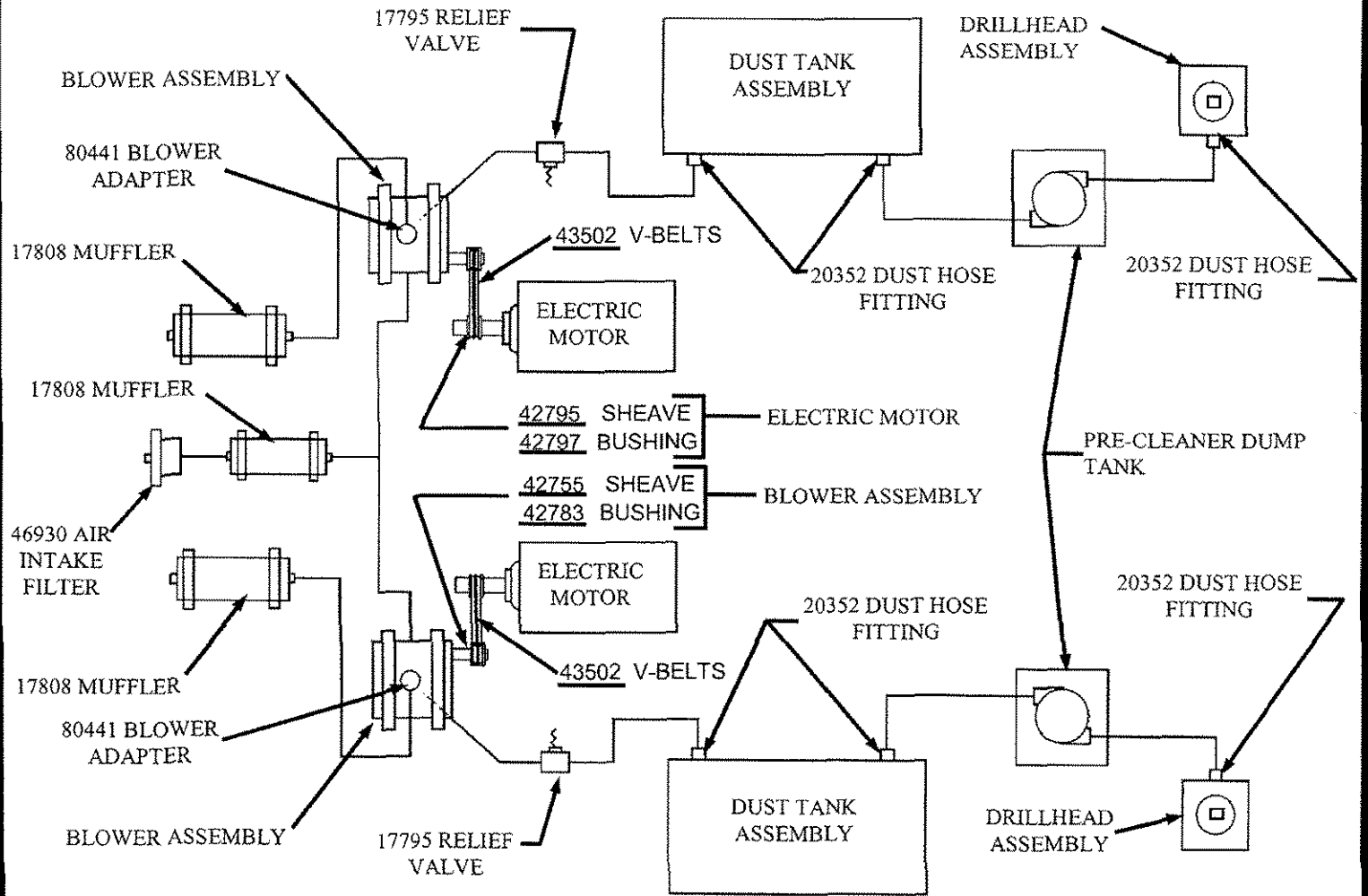
SAFETY COMPONENT

VALVES

WATER (OPTIONAL)

ORDER FORM

MAIN



SHEET NO.
DCC10

TITLE
DUST COLLECTION CIRCUIT

DATE
5-1-98

J. H. FLETCHER & CO.
402 HIGH STREET HUNTINGTON, WV



BACK NEXT

TABLE OF CONTENTS:

MISCELLANEOUS

ELECTRICAL

PUMP SYSTEM

TRAM SYSTEM

DRILLING UNIT

DUST COLLECTION

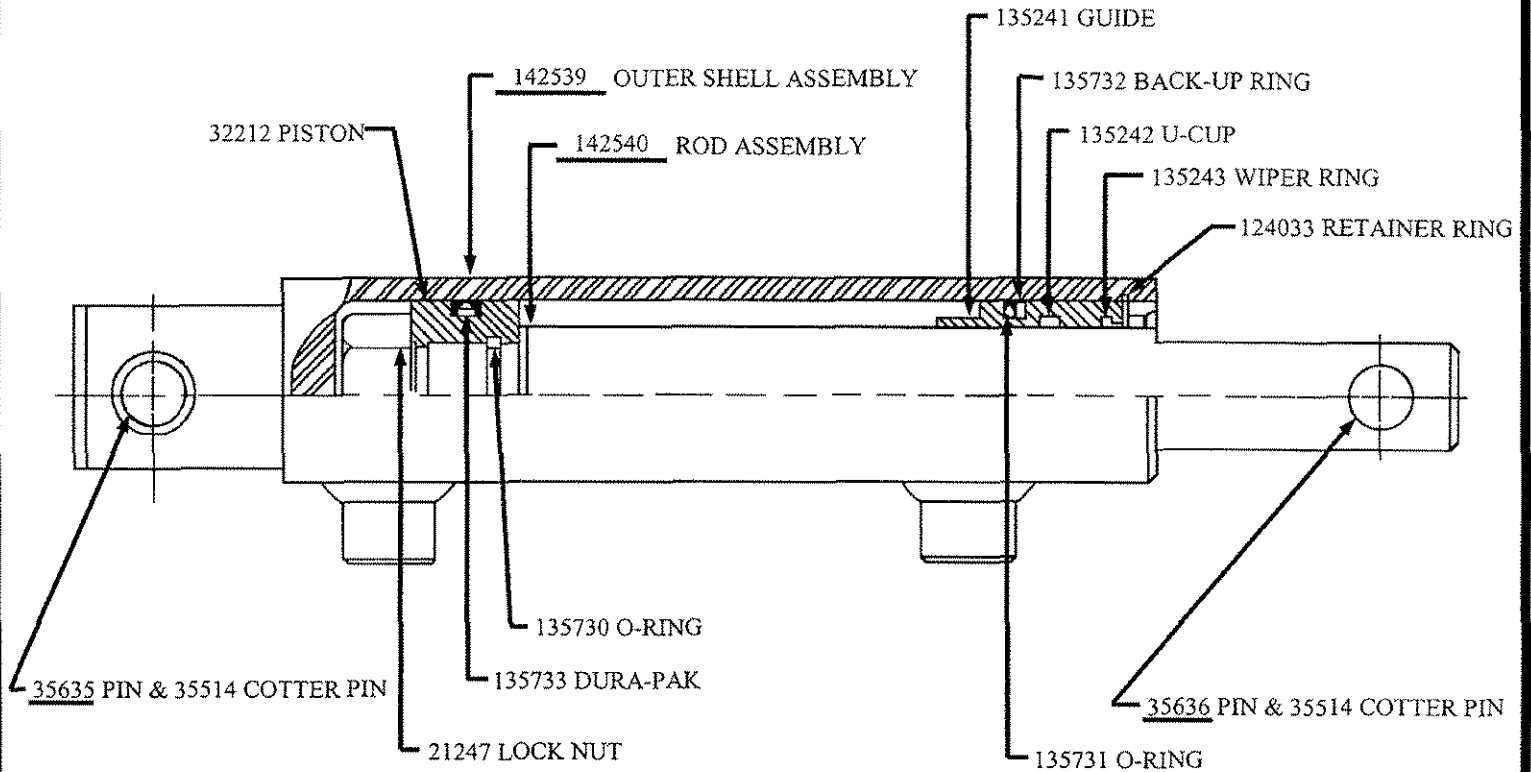
SAFETY COMPONENT

VALVES

WATER (OPTIONAL)

ORDER FORM

MAIN



PRE-CLEANER DUMP CYLINDER

SHEET NO.

HC-572

TITLE

152352 HYDRAULIC CYLINDER ASSEMBLY

DATE

1-15-98

R

J. H. FLETCHER & CO.

402 HIGH STREET HUNTINGTON, WV



BACK NEXT

TABLE OF CONTENTS:

MISCELLANEOUS

ELECTRICAL

PUMP SYSTEM

TRAM SYSTEM

DRILLING UNIT

DUST COLLECTION

SAFETY COMPONENT

VALVES

WATER (OPTIONAL)

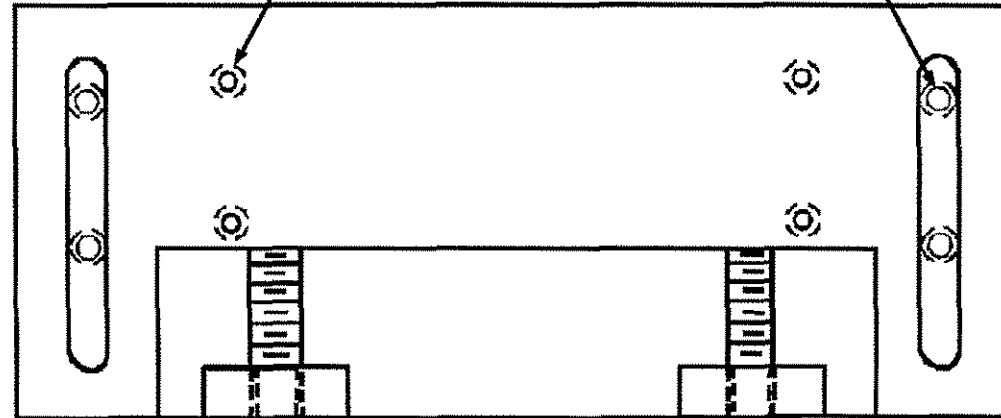
ORDER FORM

MAIN

NOT SHOWN: 34202 5/16"-18x1-1/2" HEX HEAD CAP SCREW, 20767 5/16"-18 HEX NUT & 22007 5/16" LOCKWASHER (4 EACH REQ'D) USED TO MOUNT BLOWER TO BLOWER FEET

20031 5/16"-18x1" HEX HEAD CAP SCREW & 22007 5/16" LOCKWASHER (4 REQ'D EACH)

20073 3/8"-16x1-1/2" HEX HEAD CAP SCREW, 22010 3/8" LOCKWASHER & 22019 1/2" FLAT WASHER (4 EACH REQ'D)



20753 1/2"-13 HEX NUT (2 REQ'D)

88435 BLOWER MOUNT ADJUSTING BOLTS (2 REQ'D)

78166 SLIDE PLATE

166000 SLIDE BASE



NOTE: THIS MOUNT USED WHEN THE BLOWER MOUNTS ON THE LEFT OF MOTOR VIEWING FROM SHAFT END

SHEET NO.
MY-468

TITLE
45629 PUSHER BLOWER MOUNT ASSEMBLY

DATE
3-18-81

R

J. H. FLETCHER & CO.
402 HIGH STREET HUNTINGTON, W.VA.



TABLE OF CONTENTS:

MISCELLANEOUS

ELECTRICAL

PUMP SYSTEM

TRAM SYSTEM

DRILLING UNIT

DUST COLLECTION

SAFETY COMPONENT

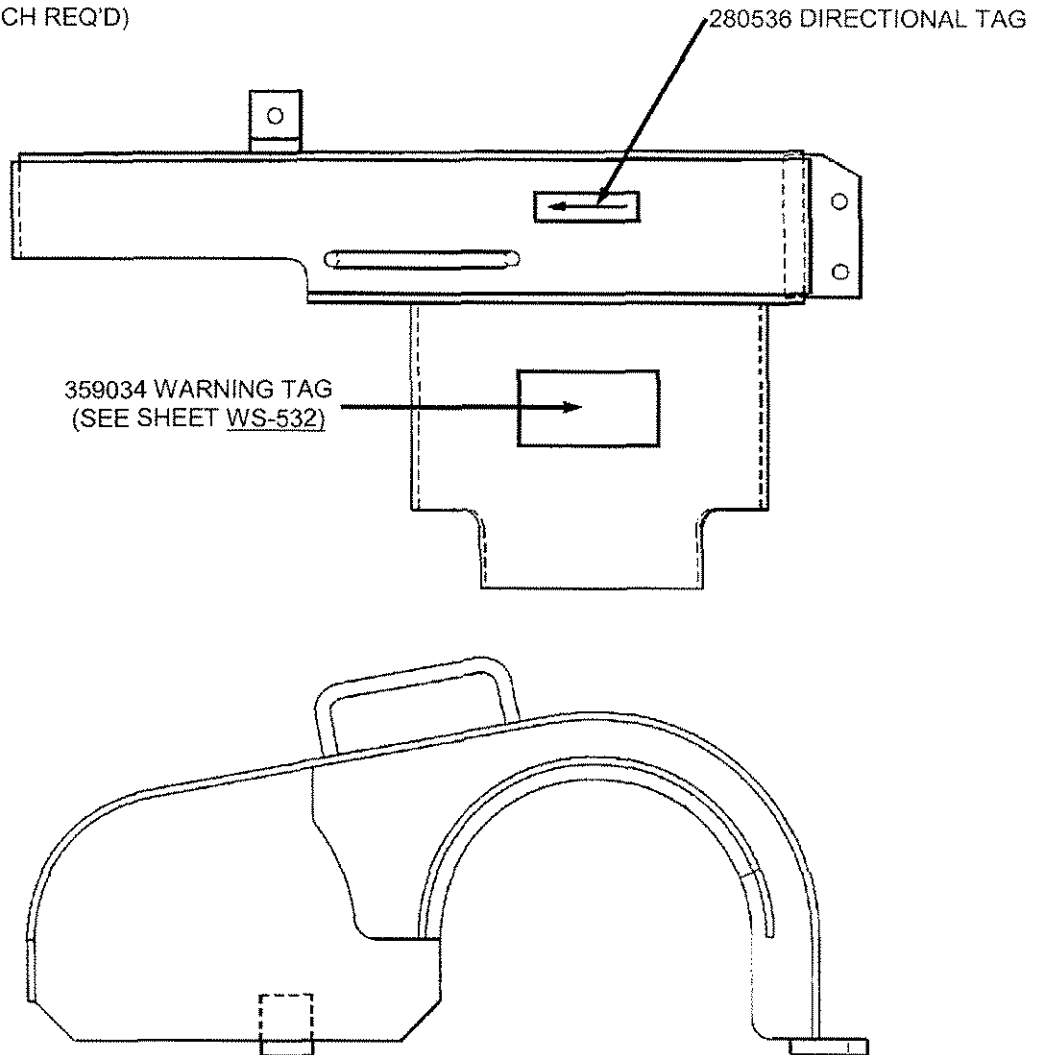
VALVES

WATER (OPTIONAL)

ORDER FORM

MAIN

MOUNTING BOLTS: 20024 HEX HEAD CAP SCREW
& 22010 LOCKWASHER (3 EACH REQ'D)



SHEET NO.
MY-1560

TITLE
295549 BLOWER BELT GUARD ASSEMBLY

DATE
4-2-99

R

J. H. FLETCHER & CO.
402 HIGH STREET HUNTINGTON, WV



BACK NEXT

TABLE OF CONTENTS:

MISCELLANEOUS

ELECTRICAL

PUMP SYSTEM

TRAM SYSTEM

DRILLING UNIT

DUST COLLECTION

SAFETY COMPONENT

VALVES

WATER (OPTIONAL)

ORDER FORM

MAIN

20080 1/2"-13x1-3/4" HEX HEAD CAP SCREW & 22011 LOCK-WASHER (4 EACH REQ'D)

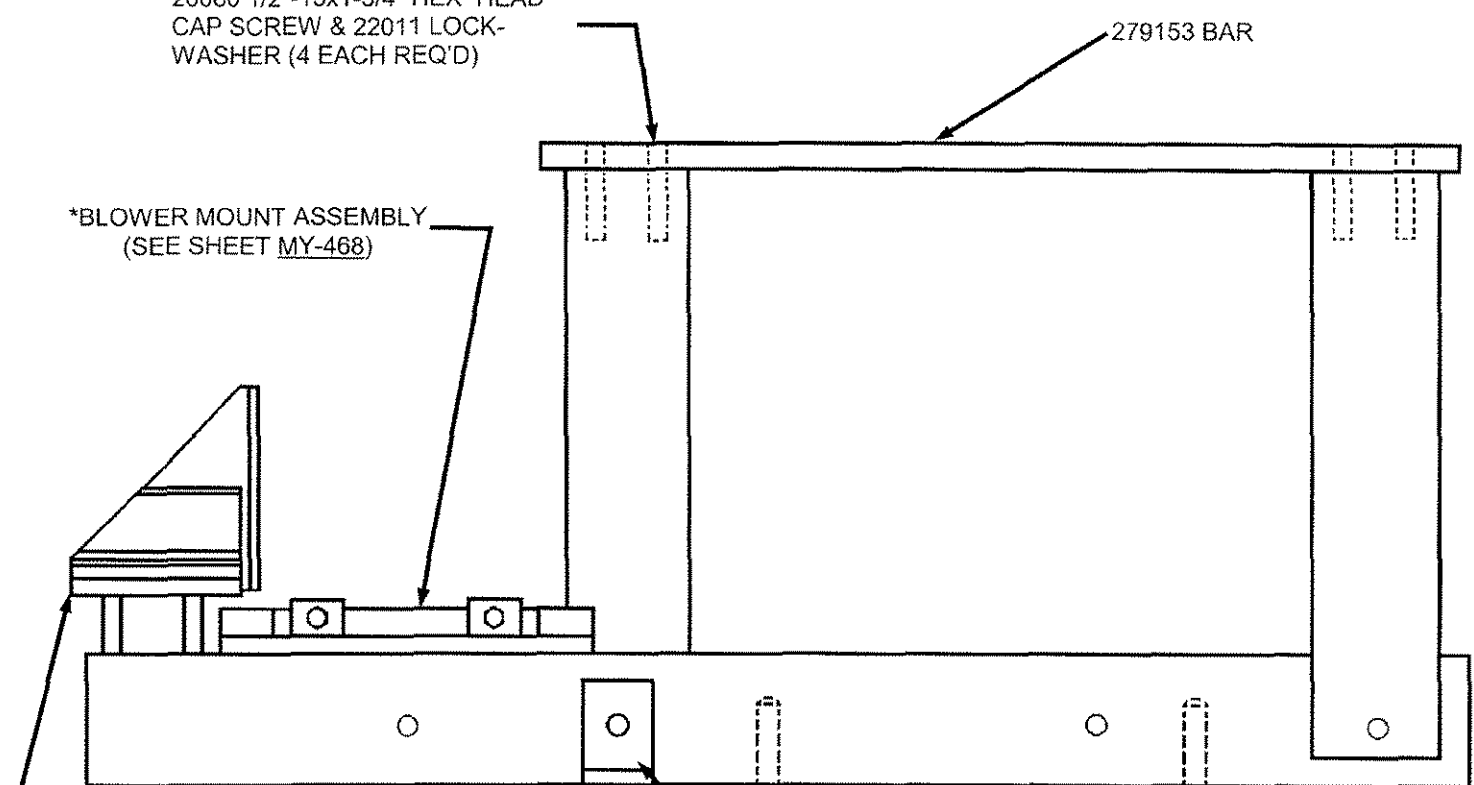
279153 BAR

*BLOWER MOUNT ASSEMBLY (SEE SHEET MY-468)

*PUMP MOUNT ASSEMBLY (SEE SHEET HY-92)

45603 MOTOR MOUNT BELT (2 REQ'D) (GLUE TO ANGLE)

85760 MOUNTING ANGLE, 20002 1/2"-13x1-1/4" HEX HEAD CAP SCREW & 22011 LOCKWASHER (4 EACH REQ'D)



NOTE: * INDICATES ITEMS NOT PART OF ASSEMBLY

SHEET NO.
MY-1688

299878

TITLE
ELECTRIC MOTOR, PUMP &
BLOWER MOUNT ARRANGEMENT

DATE
11-30-00

J. H. FLETCHER & CO.
402 HIGH STREET HUNTINGTON, WV



BACK NEXT

TABLE OF CONTENTS:

MISCELLANEOUS

ELECTRICAL

PUMP SYSTEM

TRAM SYSTEM

DRILLING UNIT

DUST COLLECTION

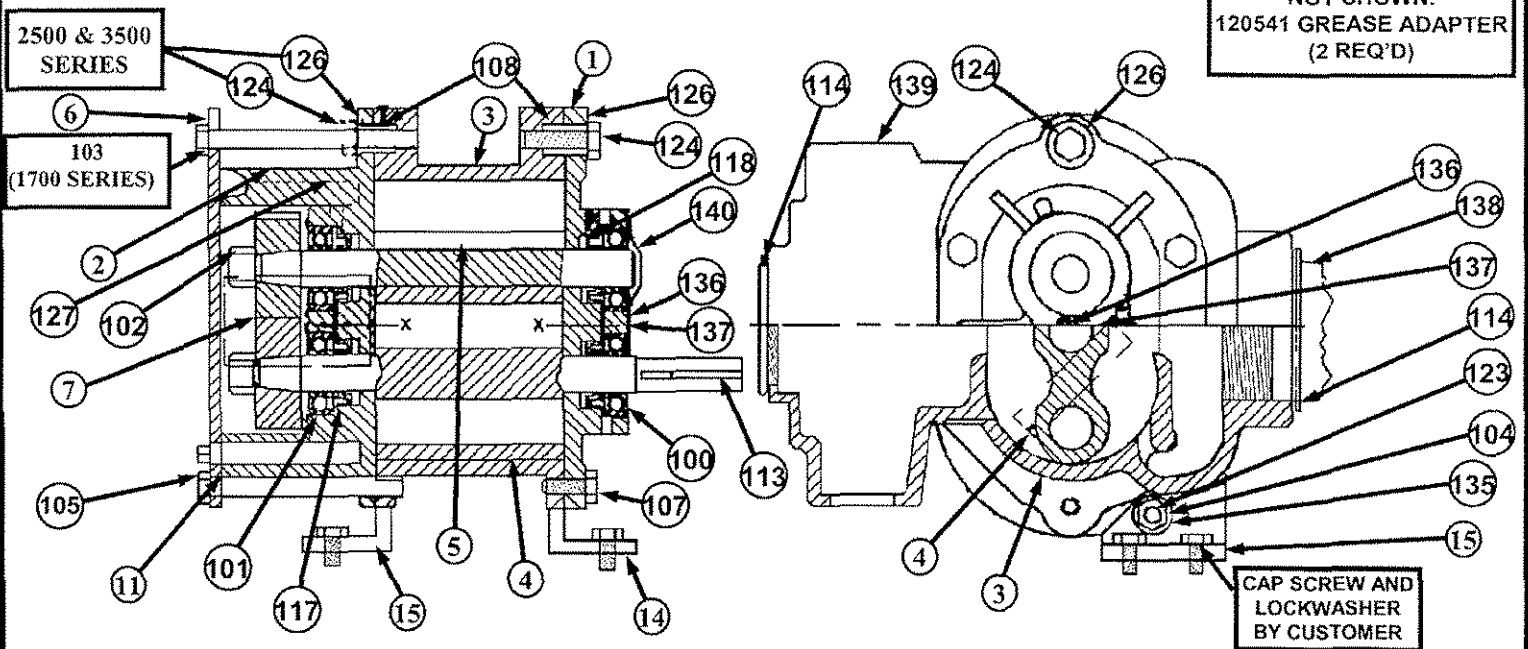
SAFETY COMPONENT

VALVES

WATER (OPTIONAL)

ORDER FORM

MAIN



ITEM	DESCRIPTION	PART #	ITEM	DESCRIPTION	PART #
1	HEADPLATE D E	45316	106	SCREW	24854
2	HEADPLATE G E	45317	107	SCREW	24855
3	CYLINDER	48493	108	SLEEVE	53368
4	IMP & SHAFT	30687	113	KEY	23851
5	IMP & SHAFT	30688	114	COVER	45318
6	COVER	47281	117	SEAL G E	24358
7	GEAR	47282	118	SEAL D E	24359
11	GASKET	30037	123	SCREW	24856
14	FOOT RIGHT	23439	124	SCREW	24857
15	FOOT LEFT	23440	126	WASHER	22135
100	BEARING	40159	127	PUG-EYE	23441
101	BEARING	40160	136	ARROW	23442
102	NUT	20859	137	SCREW	24858
103	SCREW	24852	138	ADAPTER (NOT PART OF ASS'Y)	80441
104	NUT	20890	139	JET INTAKE MANIFOLD	31169
105	SCREW	24853	140	BEARING COVER	53747

SHEET NO.

SP-68

TITLE

BLOWER ASSEMBLY

DATE

R

J. H. FLETCHER & CO.

402 HIGH STREET HUNTINGTON, W.VA.



BACK NEXT

TABLE OF CONTENTS:

MISCELLANEOUS

ELECTRICAL

PUMP SYSTEM

TRAM SYSTEM

DRILLING UNIT

DUST COLLECTION

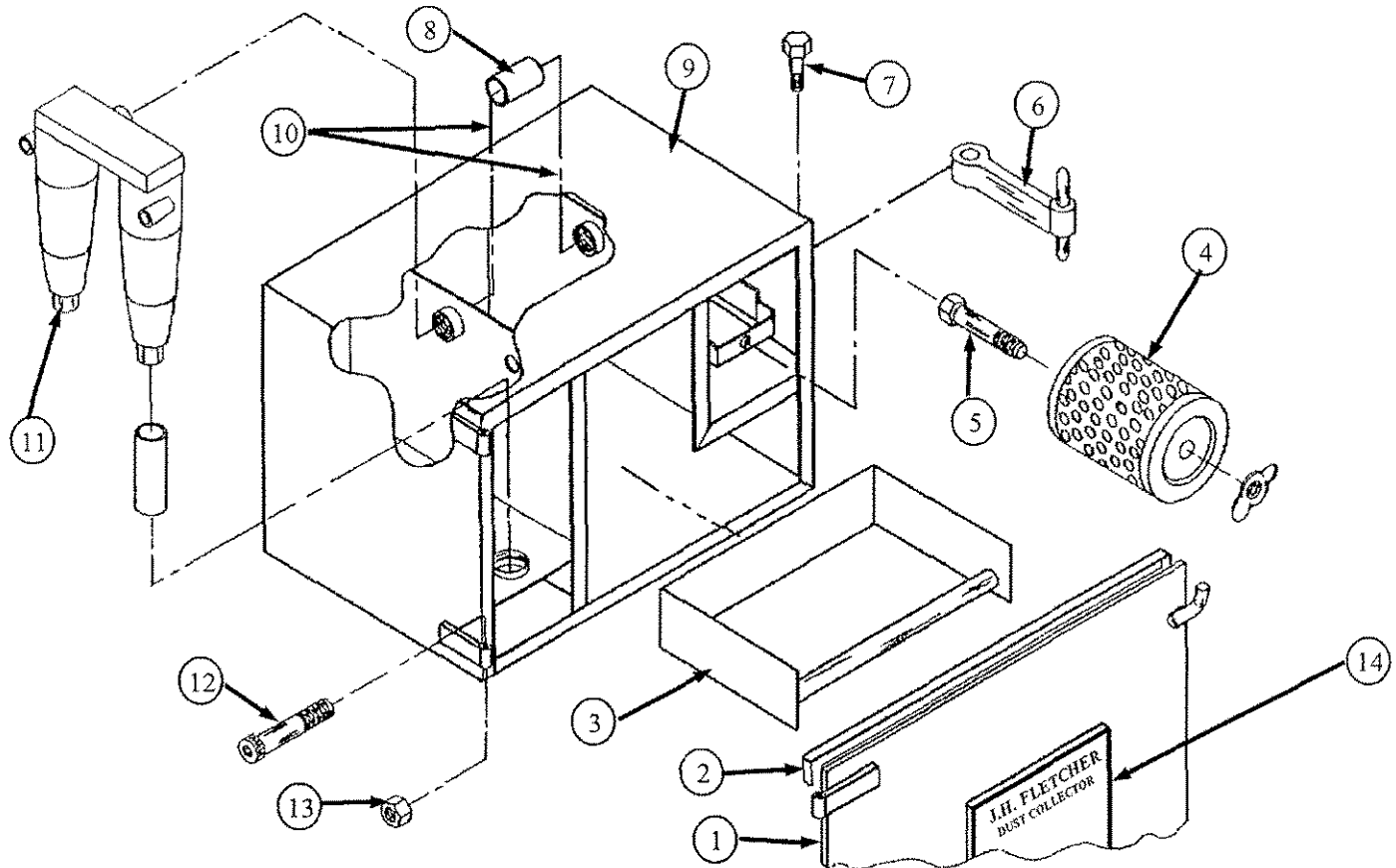
SAFETY COMPONENT

VALVES

WATER (OPTIONAL)

ORDER FORM

MAIN



ITEM	DESCRIPTION	PART #	QTY.	ITEM	DESCRIPTION	PART #	QTY.
1	DOOR ASSEMBLY	56251	1	8	2" ID. DUST HOSE	56263	1
2	DOOR GASKET ASSEMBLY	188012	1	9	DUST TANK WELDMENT	56234	1
3	DRAWER ASSEMBLY	188586	1	10	HOSE CLAMP	19009	2
4	FILTER ASSEMBLY W/WINGNUT	46861	1	11	CYCLONE ASSEMBLY	56272	1
5	HEX HEAD CAP SCREW	130027	1	12	HEX HEAD CAP SCREW	130064	2
6	LATCH	51436	2	13	7/16"-20 HEX NYLOCK NUT	21016	2
7	5/16"-18x2-1/2" W/NYLOCK NUT	34361	2	14	DUST COLLECTOR TAG (SEE SHEET WS-271)	159520	1

SHEET NO.

SP-74

TITLE

56226 DUST TANK ASSEMBLY

DATE

10-14-97

R

J. H. FLETCHER & CO.

402 HIGH STREET HUNTINGTON, WV

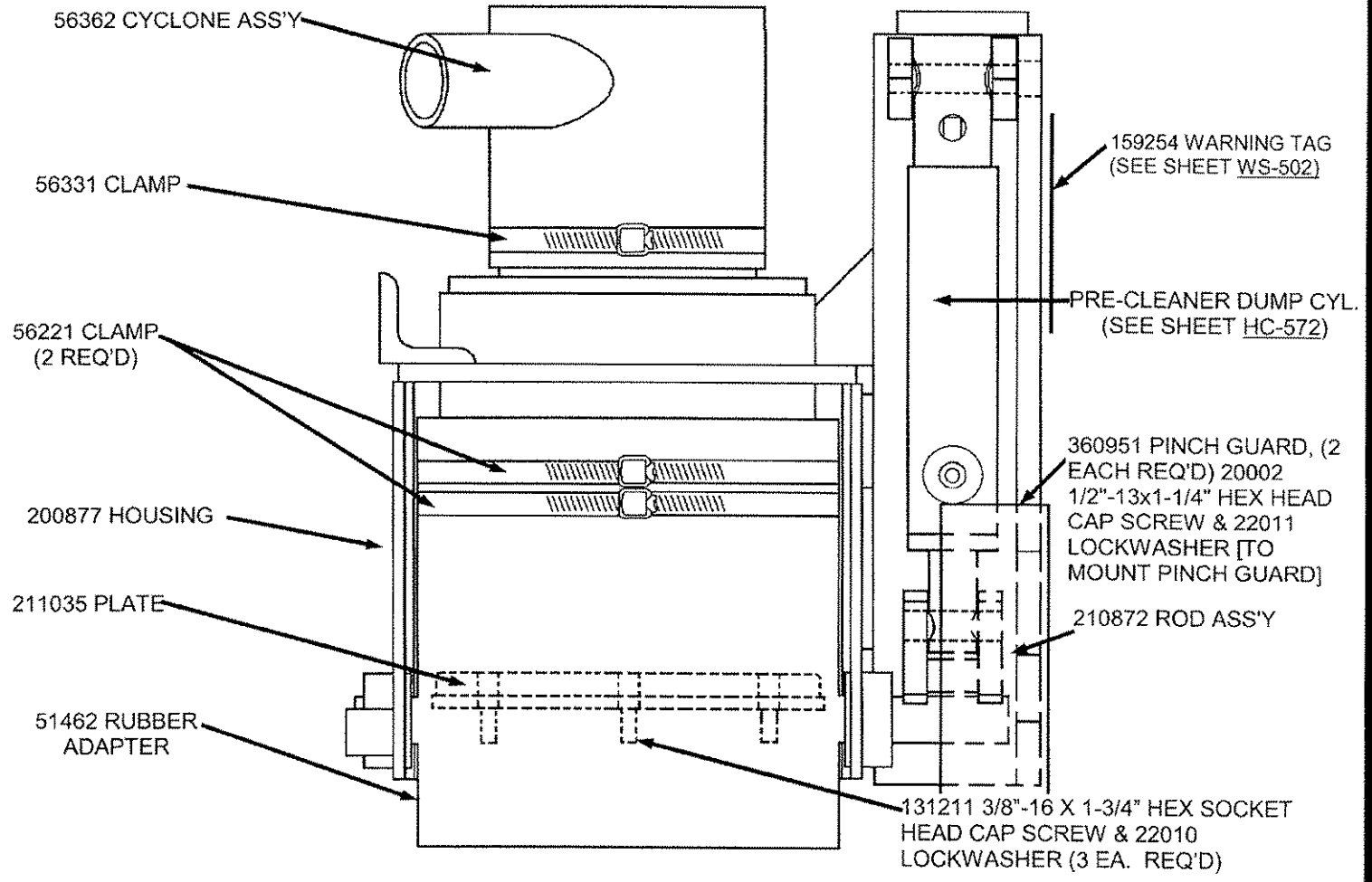


BACK NEXT

TABLE OF CONTENTS:

- MISCELLANEOUS
- ELECTRICAL
- PUMP SYSTEM
- TRAM SYSTEM
- DRILLING UNIT
- DUST COLLECTION
- SAFETY COMPONENT
- VALVES
- WATER (OPTIONAL)
- ORDER FORM

MAIN



281947 DUST TANK

SHEET NO. SP-81D	TITLE PRE-CLEANER ASSEMBLY	DATE 9-3-97	J. H. FLETCHER & CO. 402 HIGH STREET HUNTINGTON, WV
---------------------	-------------------------------	----------------	--