

SHEET NO.

RR2DL3

TITLE

DRILLING UNIT ARRANGEMENT

DATE

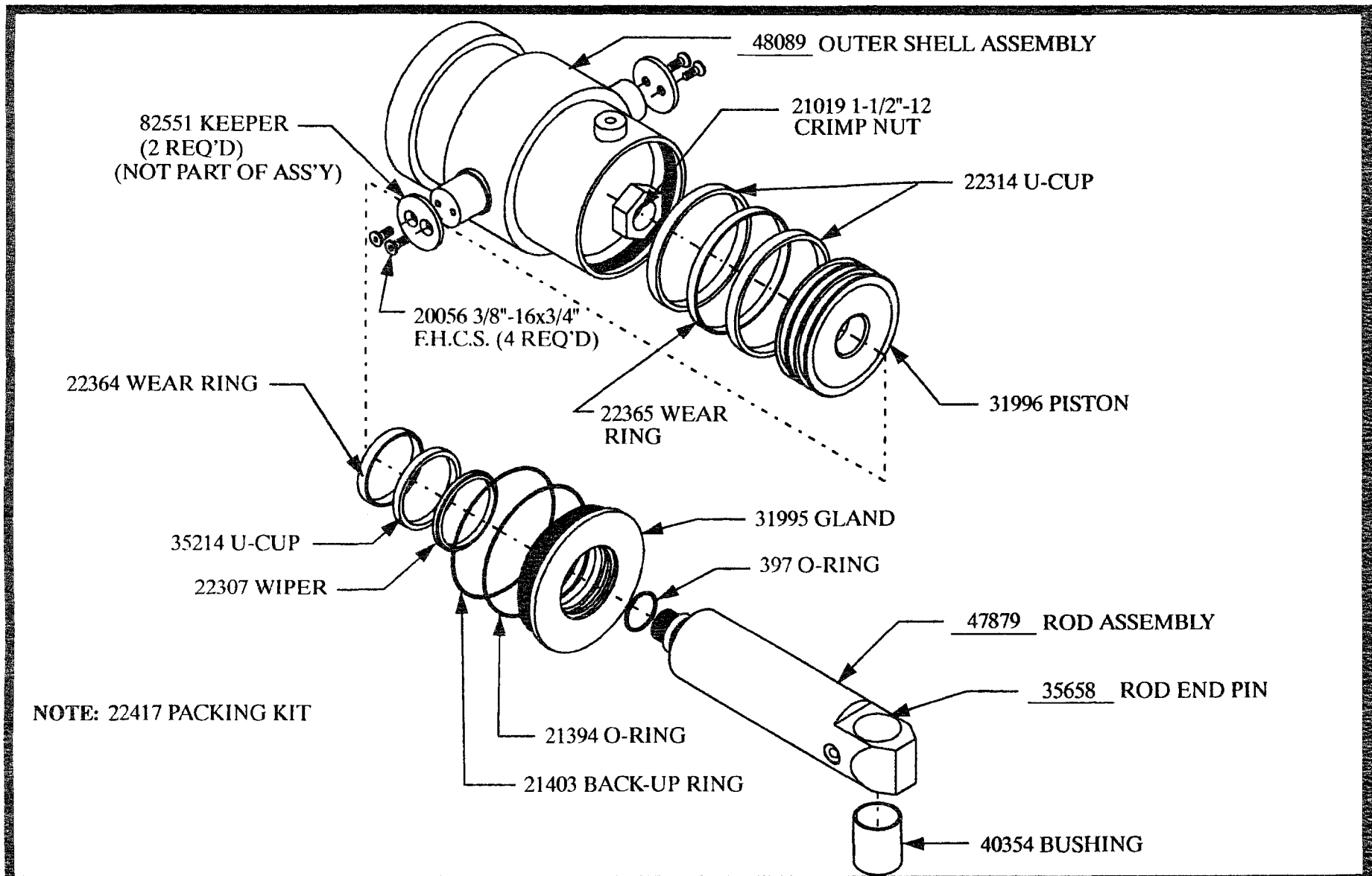
J.H. FLETCHER & CO.

402 HIGH STREET

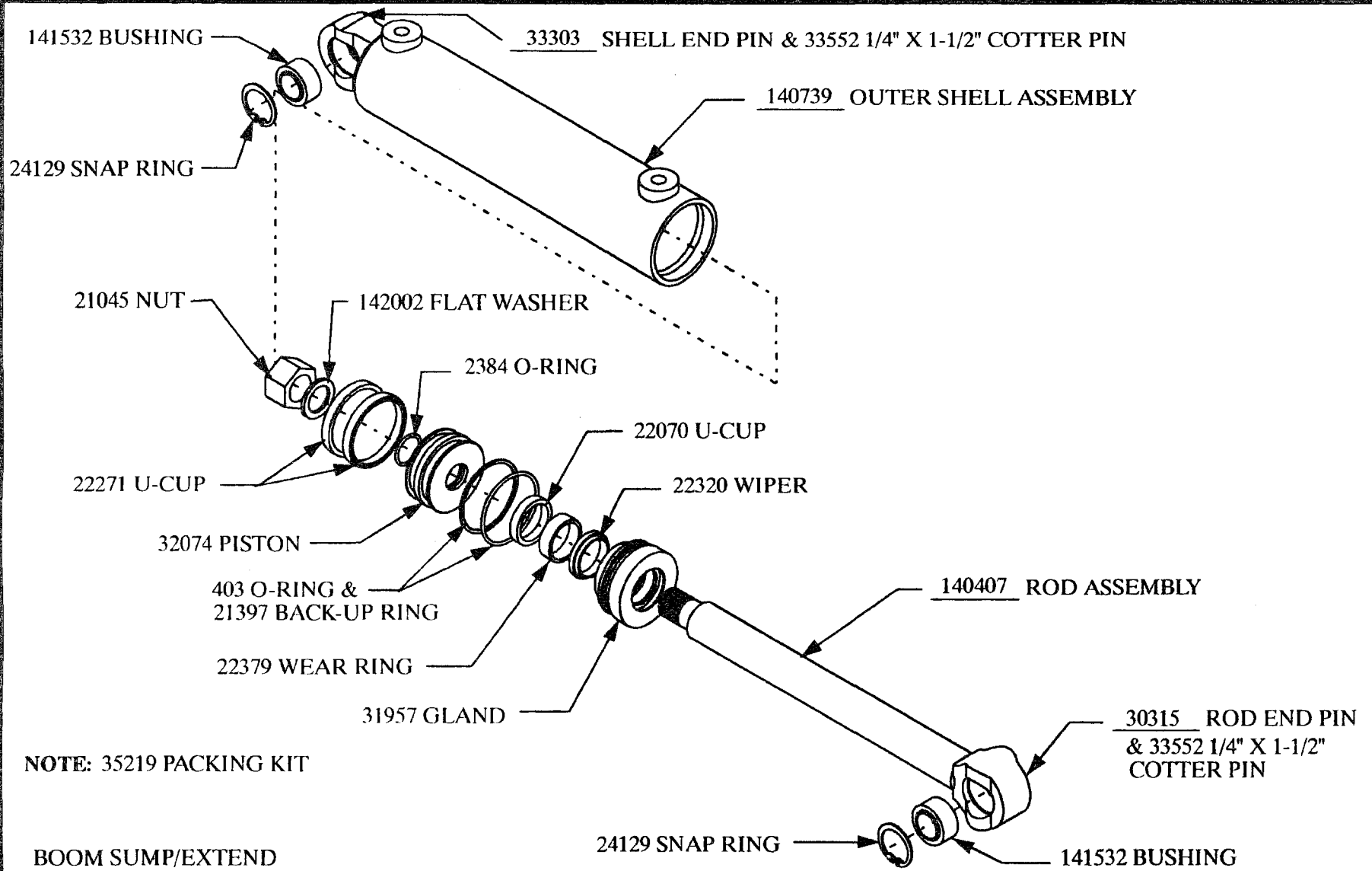
HUNTINGTON, W.VA.

INDEX FOR DRILLING UNIT

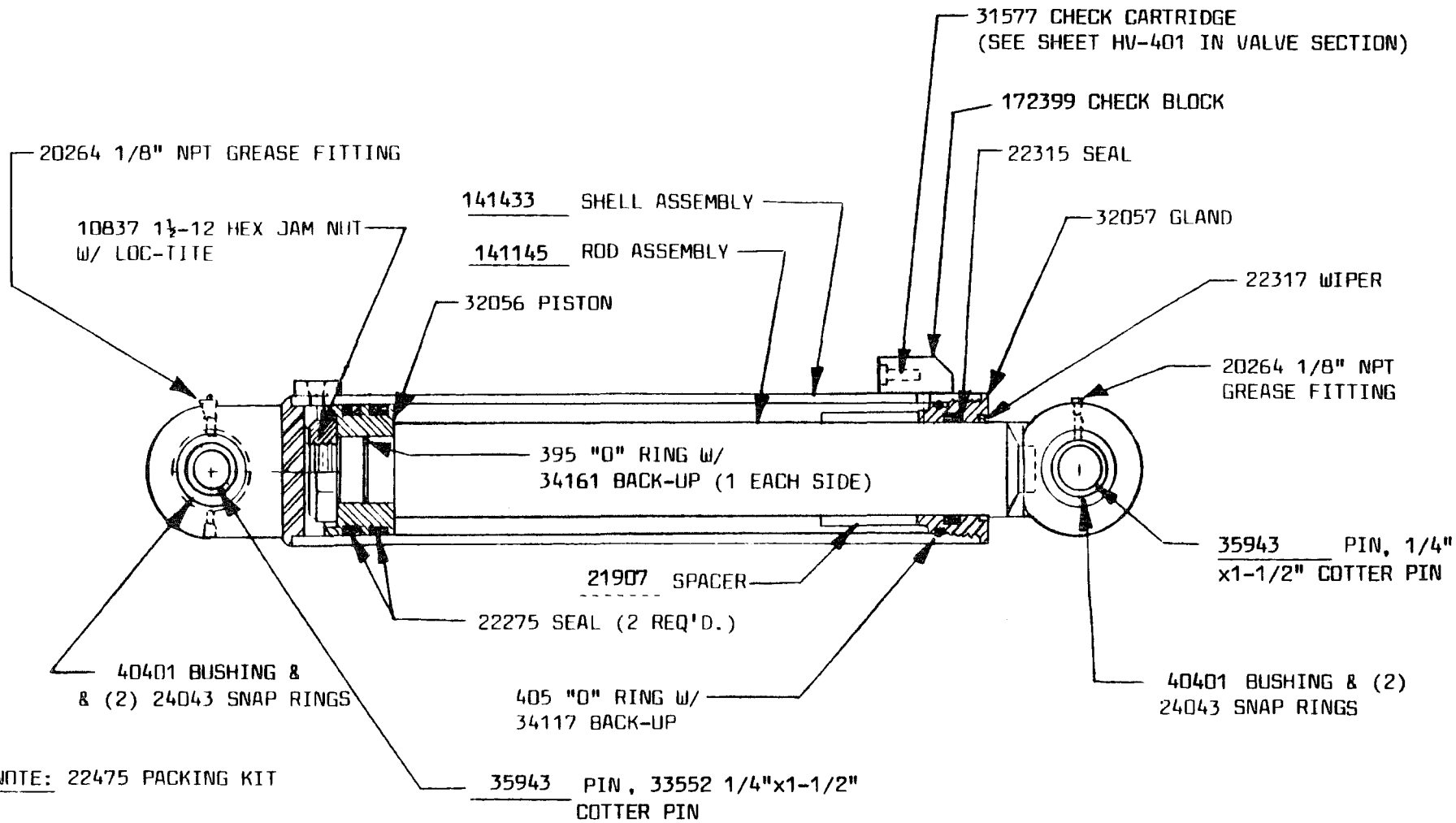
<u>DESCRIPTION</u>	<u>PART NO.</u>	<u>SHEET NO.</u>	<u>NO. REQ'D</u>
DRILL FEED CYLINDER ASSEMBLY	54109	HC-332	2
L. H. BOOM EXTEND CYLINDER ASSEMBLY	56550	HC-463	2
BOOM SWING CYLINDER ASSEMBLY	152050	HC-483	1
RETRACTING FOOT CYLINDER ASSEMBLY	152049	HC-487	2
DRILLHEAD MOTOR ASSEMBLY	41849	HM-89	2
DRILLHEAD PIVOT ASSEMBLY		MB-122	2
BOOM ROLLER GUIDE ASSEMBLY		MB-393	2
BOOM ROLLER ASSEMBLY	188761	MB-458	2
BOOM ARM ARRANGEMENT		MB-476	2
OUTER BOOM ASSEMBLY		MB-580	2
INNER BOOM ASSEMBLY		MB-607	2
DRILLHEAD ASSEMBLY	55972	MM-89	2
BOOM FOOT ASSEMBLY	224541	MY-927	2
BELT GUARD & TAG ARRANGEMENT		MY-1085	2
WARNING TAG	159546	WS-2	2
DANGER TAG	159543	WS-4	2
WARNING TAG	159538	WS-10	2



SHEET NO.	TITLE	DATE	J.H. FLETCHER & CO.	
HC-332	54109 DRILL FEED CYLINDER ASSEMBLY	3-13-72	402 HIGH STREET	HUNTINGTON, W.VA.



SHEET NO.	TITLE	DATE	J.H. FLETCHER & CO.
HC-463	56550 HYDRAULIC CYLINDER ASSEMBLY	10/11/84	402 HIGH STREET HUNTINGTON, W.VA.

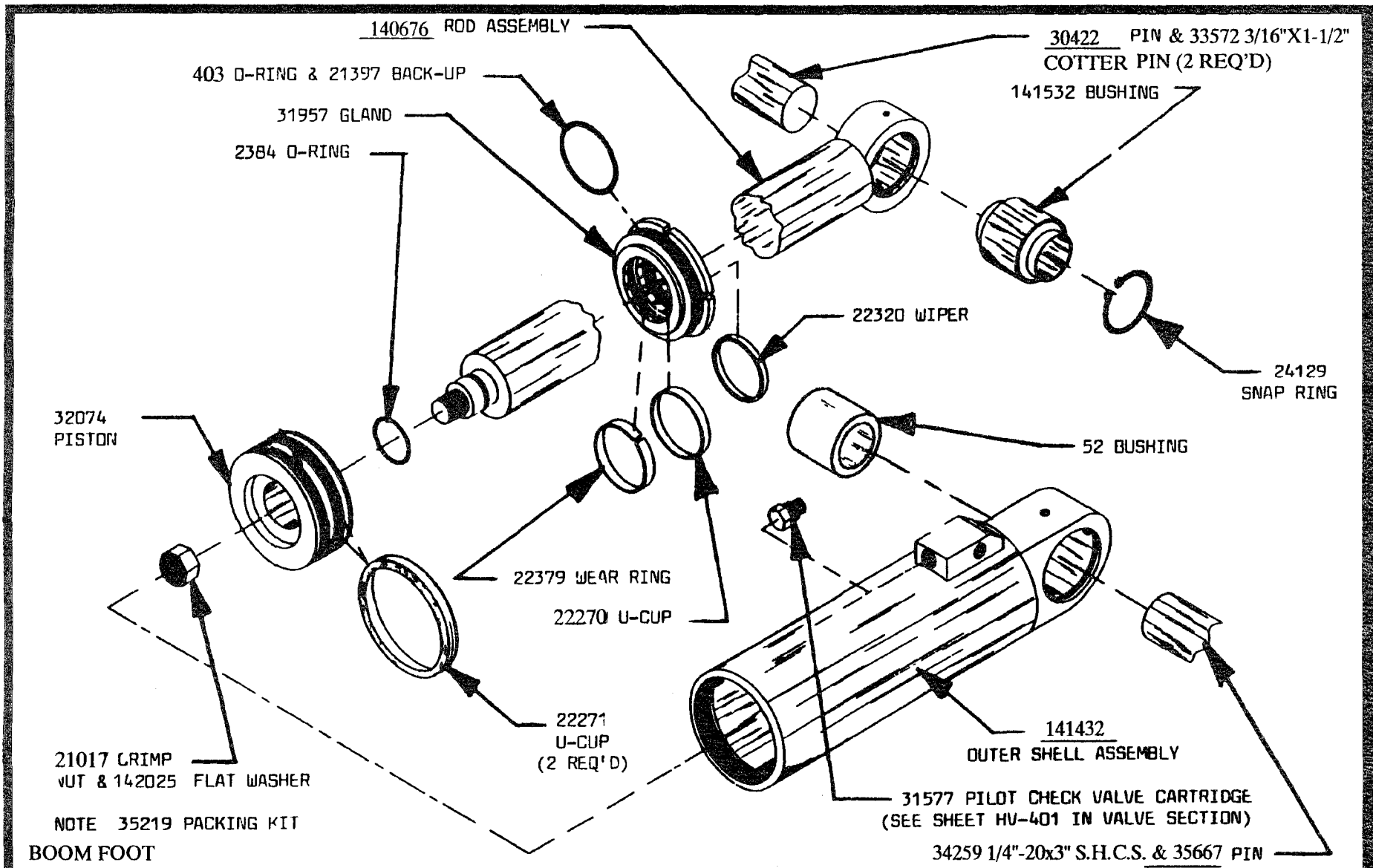


NOTE: 22475 PACKING KIT

BOOM SWING

BRUNING 44-132 69152

SHEET NO. HC-4830	TITLE 152050 HYDRAULIC CYLINDER	DATE 3/29/93	R	J. H. FLETCHER & CO. 707 WEST 7TH STREET HUNTINGTON, W. VA
----------------------	------------------------------------	-----------------	---	--



SHEET NO.	TITLE	DATE	J.H. FLETCHER & CO.
HC-487	152049 HYDRAULIC CYLINDER ASSEMBLY	1/10/85	402 HIGH STREET HUNTINGTON, W.VA.

SHEET NO.

HM-89

TITLE

41849 HYDRAULIC MOTOR

DATE

4-17-72

J.H. FLETCHER & CO.

402 HIGH STREET

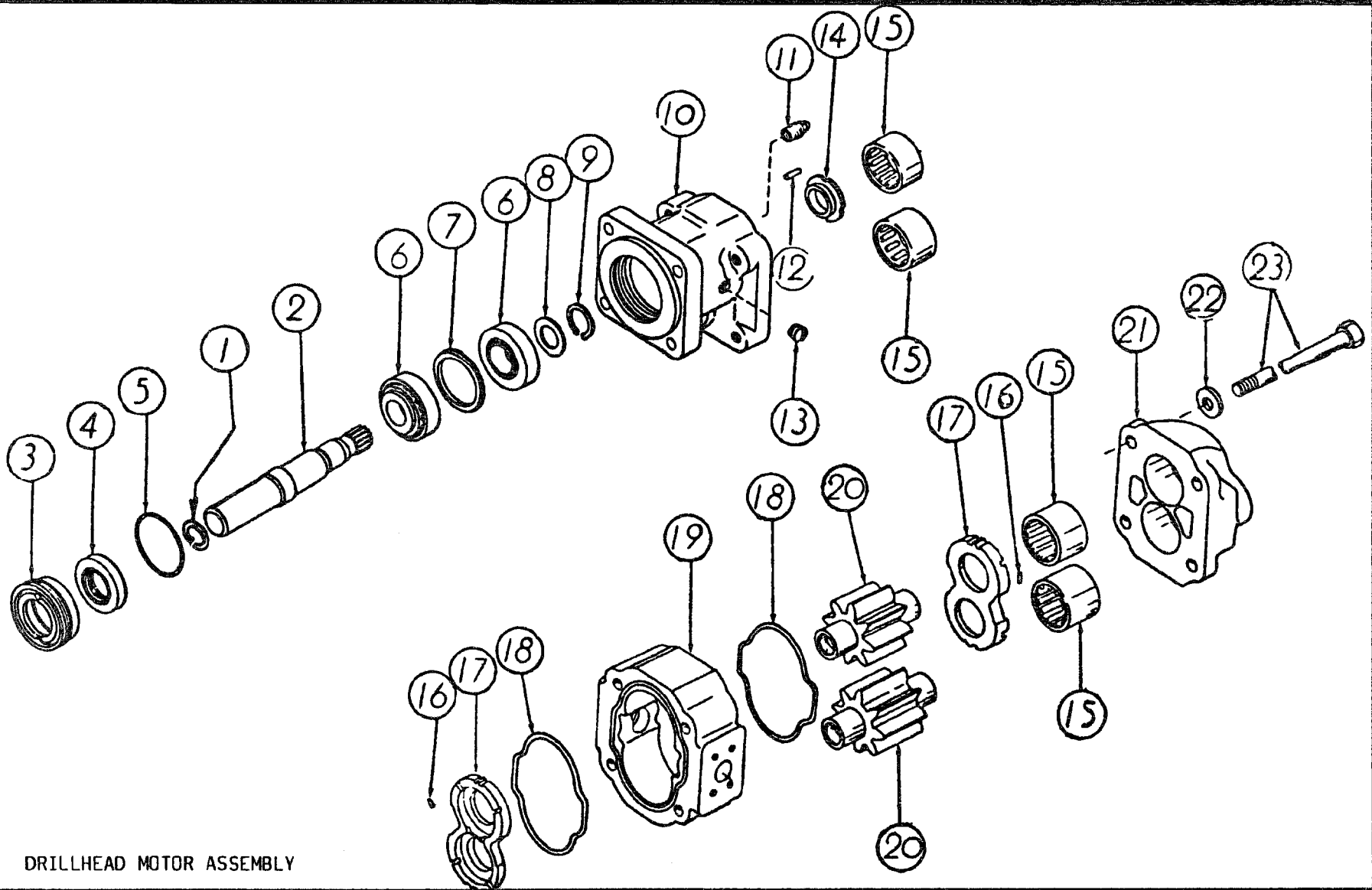
HUNTINGTON, W.VA.

<u>ITEM</u>	<u>DESCRIPTION</u>	<u>PART NO.</u>	<u>NO. REQ'D</u>
1	SNAP RING	2442	1
2	SHAFT	30588	1
3	RETAINING RING	23045	1
4	HI PRESSURE SEAL	24250	1
5	O-RING SEAL	402	1
6	ROLLER BEARING	40008	2
7	BEARING SPACER	21504	1
8	SPACER (**)	21505	1
9	SNAP RING	1316	1
10	SHAFT END COVER	47001	1
11	CHECK ASSEMBLY	23048	2
12	ROLL PIN	30397	1
13	PLUG	20267	1
14	SHAFT BUSHING	40255	1
15	NEEDLE BEARING	40009	4
16	POCKET SEAL	21266	12
17	THRUST PLATE	23035	2
18	O-RING SEAL	409	2
19	GEAR HOUSING	47261	1
20	GEAR SET	41257	1
21	PORT END COVER	47460	1
22	WASHER	22035	4
23	BOLT	31754	2

NOTE (**) IF THIS SPACER DOES NOT ALLOW THE SNAP RING TO FIT THE SLOT USE 21508 SPACER

BULKHEAD FITTINGS USED ON MOTOR ARE 20382 45 DEGREE
20379 90 DEGREE

NOT SHOWN 23758 SHAFT KEY



DRILLHEAD MOTOR ASSEMBLY

SHEET NO.

TITLE

DATE

J.H. FLETCHER & CO.

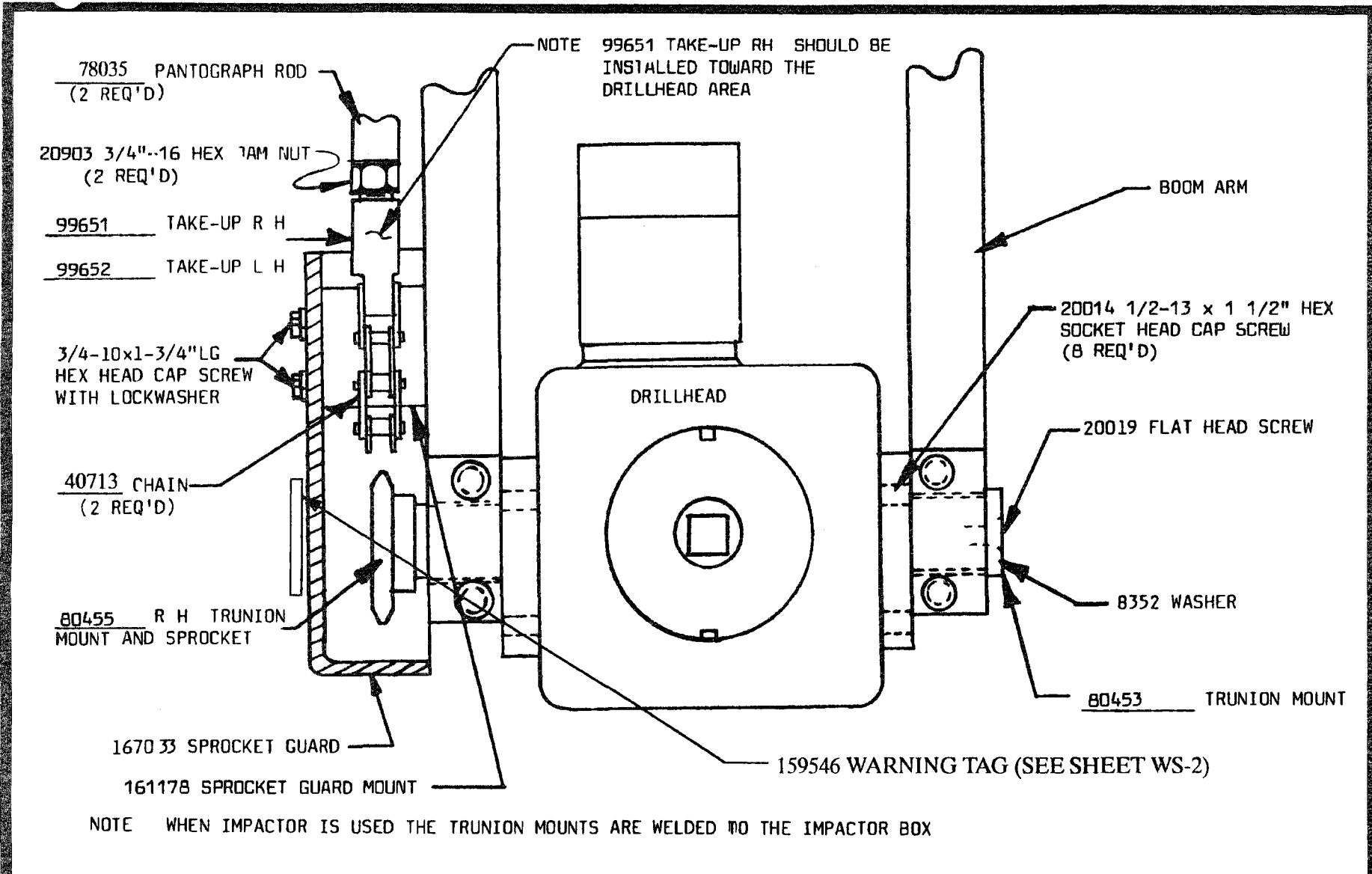
HM-89

41849 HYDRAULIC MOTOR ASSEMBLY

3/3/76

402 HIGH STREET

HUNTINGTON, W.VA.



SHEET NO.	TITLE	DATE	J.H. FLETCHER & CO.	
MB-122	DRILLHEAD PIVOT ARRANGEMENT		402 HIGH STREET	HUNTINGTON, W.VA.

SHEET NO.

MB-393A

TITLE

BOOM ROLLER GUIDE ARRANGEMENT

DATE

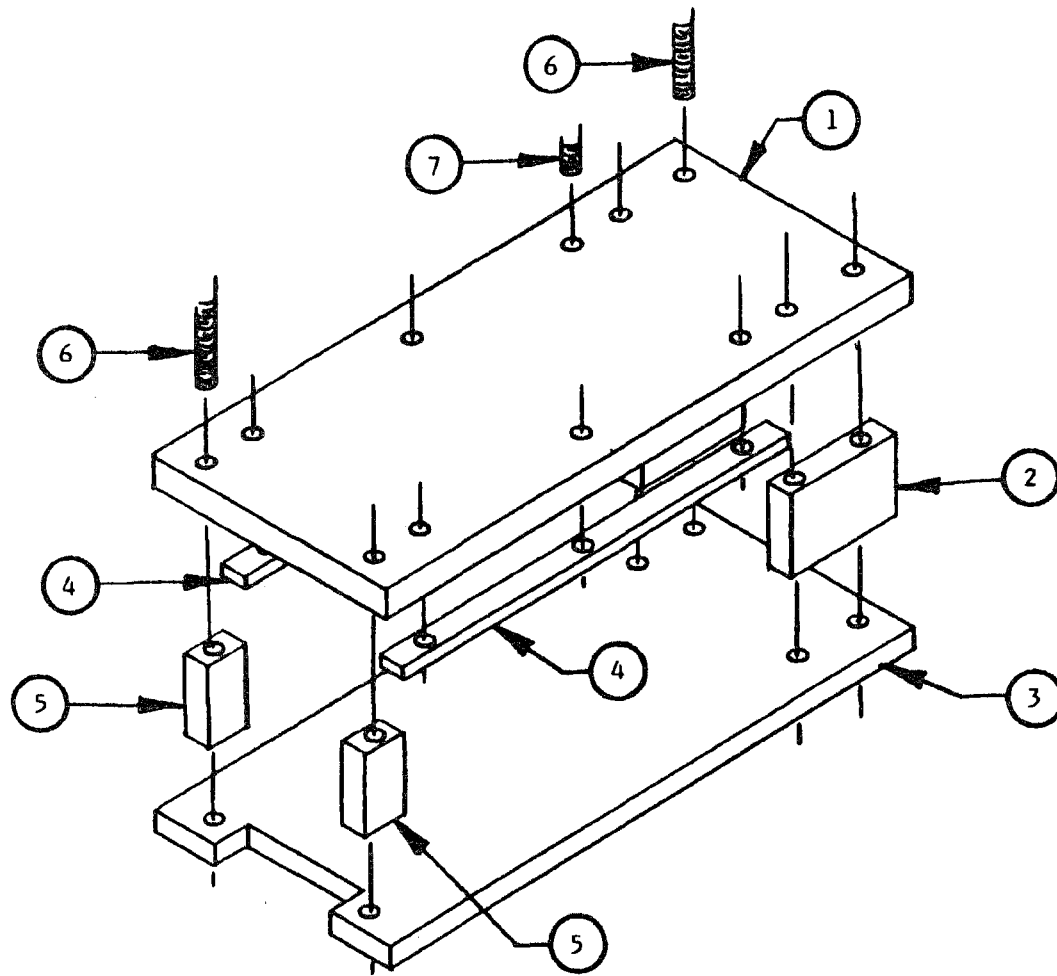
7/11/84

J.H. FLETCHER & CO.

402 HIGH STREET

HUNTINGTON, W.VA.

<u>ITEM</u>	<u>DESCRIPTION</u>	<u>PART NO.</u>	<u>NO. REQ'D</u>
1	TOP PLATE ASSEMBLY	94007	1
2	MOUNTING BLOCK ASSEMBLY	82904	2
3	BOTTOM PLATE ASSEMBLY	94008	1
4	GUIDE BAR ASSEMBLY	94009	2
5	MOUNTING BLOCK ASSEMBLY	82905	2
6	ALLEN HD. CAP SCREW (5/8"-11 X 5-1/2")	20228	6
7	ALLEN HD. CAP SCREW (5/8"-11 X 1-1/2")	20192	4



SHEET NO.

MB-393

TITLE

BOOM ROLLER GUIDE ARRANGEMENT

DATE

7/11/84

J.H. FLETCHER & CO.

402 HIGH STREET

HUNTINGTON, W.VA.

SHEET NO.

MB-458

TITLE188761 BOOM ROLLER ASSEMBLY**DATE**

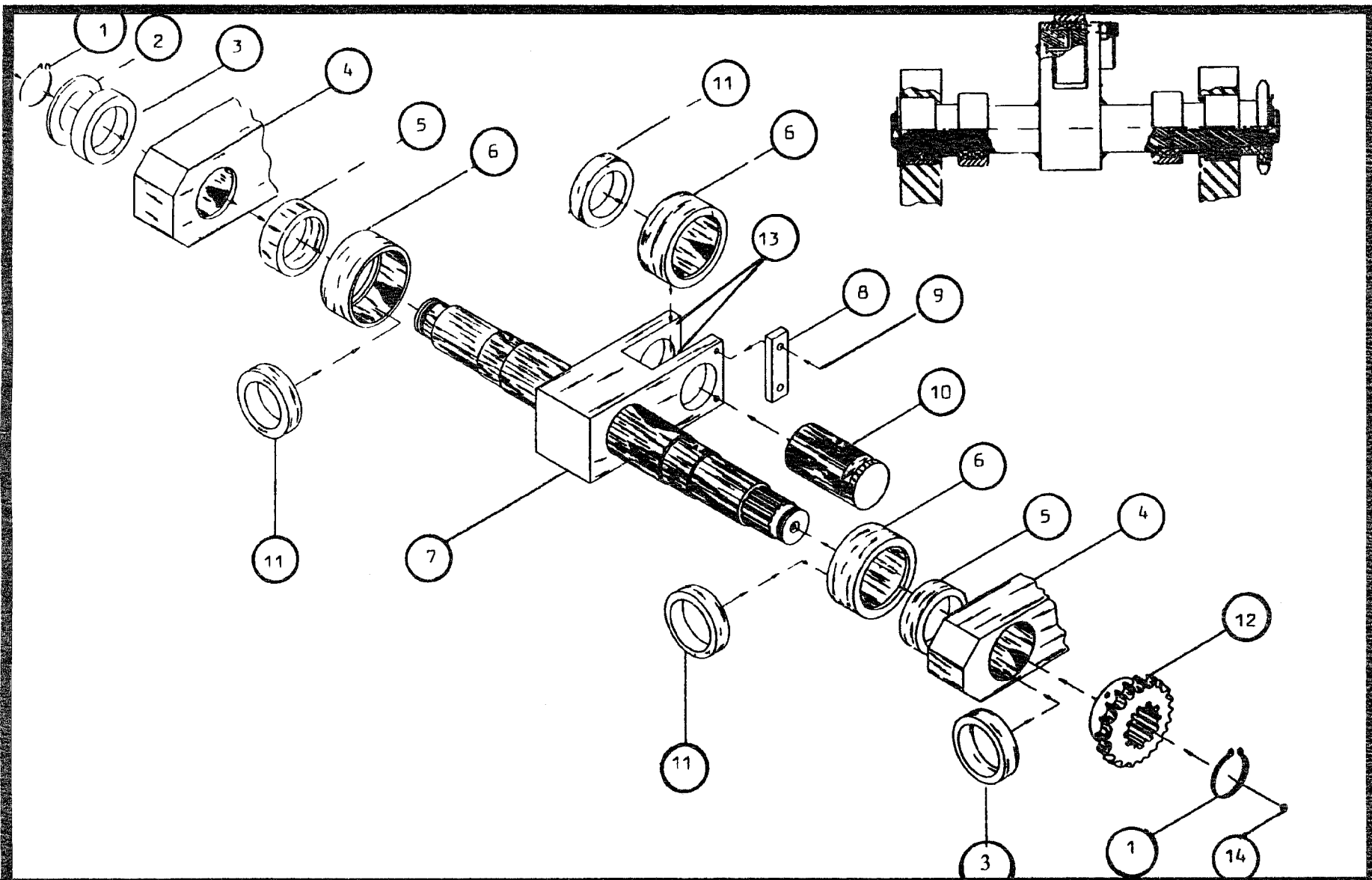
3-2-87

J.H. FLETCHER & CO.

402 HIGH STREET

HUNTINGTON, W.VA.

<u>ITEM</u>	<u>DESCRIPTION</u>	<u>PART NO.</u>	<u>NO. REQ'D</u>
1	SNAP RING	24082	2
2	FLAT WASHER & (2) 20176 1/4"-20X1/2" H.H.C.S.	202049	1
3	BEARING	40156	2
4	BOOM ARM (SEE SHEET MB-476)		2
5	SPACER	21631	2
6	ROLLER	45814	2
7	SHAFT & BLOCK ASSEMBLY	188762	1
8	KEEPER	174025	1
9	3/8"-16 X 7/8" S.H.H.C.S. (NOT SHOWN)	24866	2
10	PIN	33569	1
11	BEARING	40167	3
12	SPROCKET	43209	1
13	SPACER (NOT SHOWN)	21844	2
14	GREASE FITTING	20264	1



SHEET NO.	TITLE	DATE	J.H. FLETCHER & CO.
MB-458	188761 BOOM ROLLER ASSEMBLY	3-2-87	402 HIGH STREET HUNTINGTON, W.VA.

SHEET NO.

MB-476

TITLE

BOOM ARM ARRANGEMENT

DATE

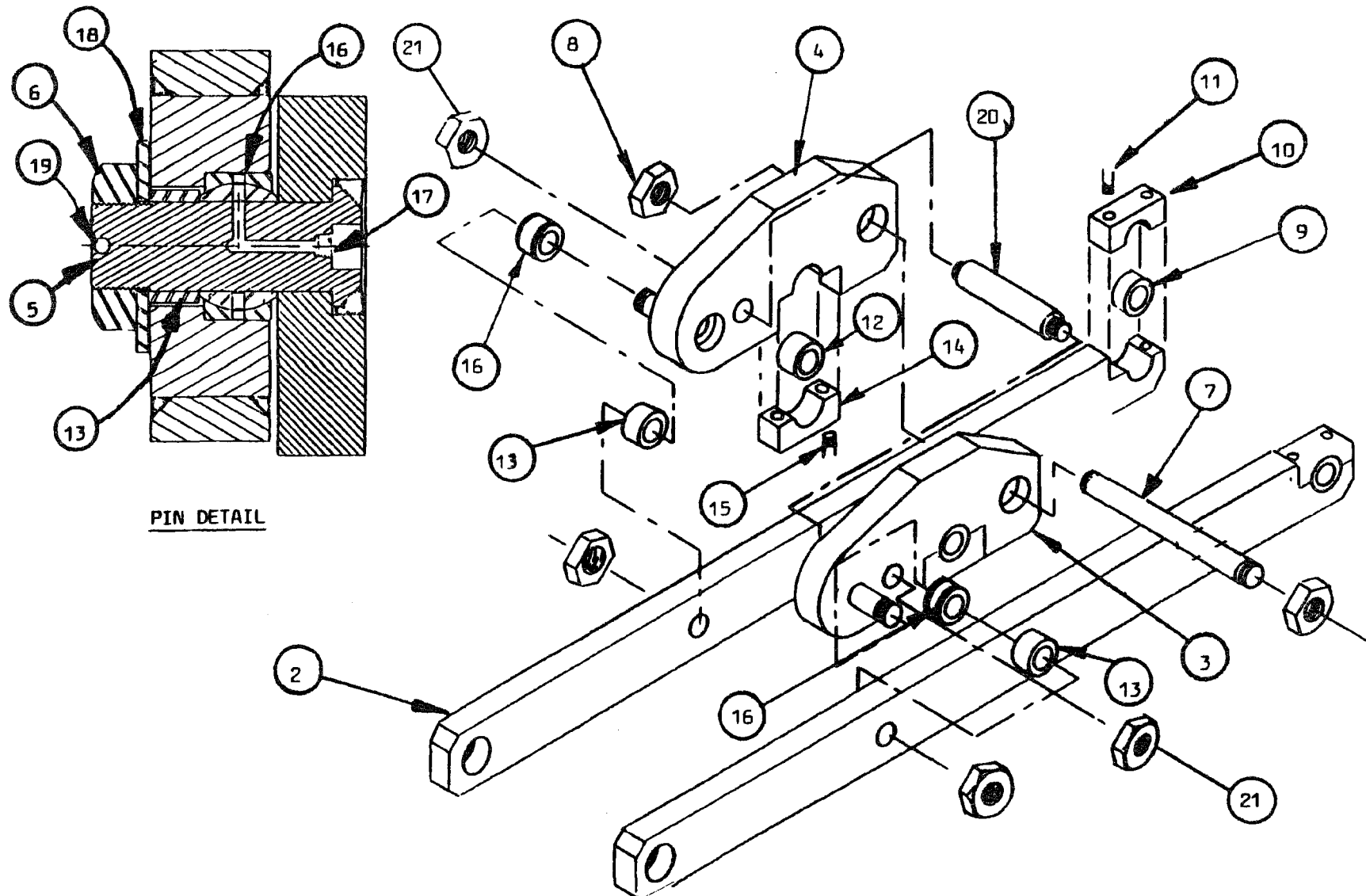
5/15/87

J.H. FLETCHER & CO.

402 HIGH STREET

HUNTINGTON, W.VA.

<u>ITEM</u>	<u>DESCRIPTION</u>	<u>PART NO.</u>	<u>NO. REQ'D</u>
1	RIGHT HAND LONG ARM	191010	1
2	LEFT HAND LONG ARM	191009	1
3	RIGHT HAND SHORT ARM	191003	1
4	LEFT HAND SHORT ARM	191005	1
5	SHAFT (PART OF SHORT ARM)	34072	1
6	SLOTTED HEX JAM NUT	21025	1
7	SHAFT	30682	1
8	HEX NUT	20904	2
9	SPLIT BUSHING	40340	2
10	CAP	191012	2
11	SOCKET HEAD CAP SCREW 3/4"-10 X 3"	20161	4
12	BEARING	40007	2
13	SPACER	21901	1
14	CAP	191007	2
15	SOCKET HEAD CAP SCREW 3/4"-10 X 3-1/2"	20145	4
16	BEARING	40155	1
17	1/8" GREASE FITTING	20264	2
18	WASHER	22196	1
19	1/4" X 3" COTTER PIN	30443	2
20	SHAFT	46346	1
21	NUT	20854	2



PIN DETAIL

SHEET NO.

MB-476

TITLE

BOOM ARM ARRANGEMENT

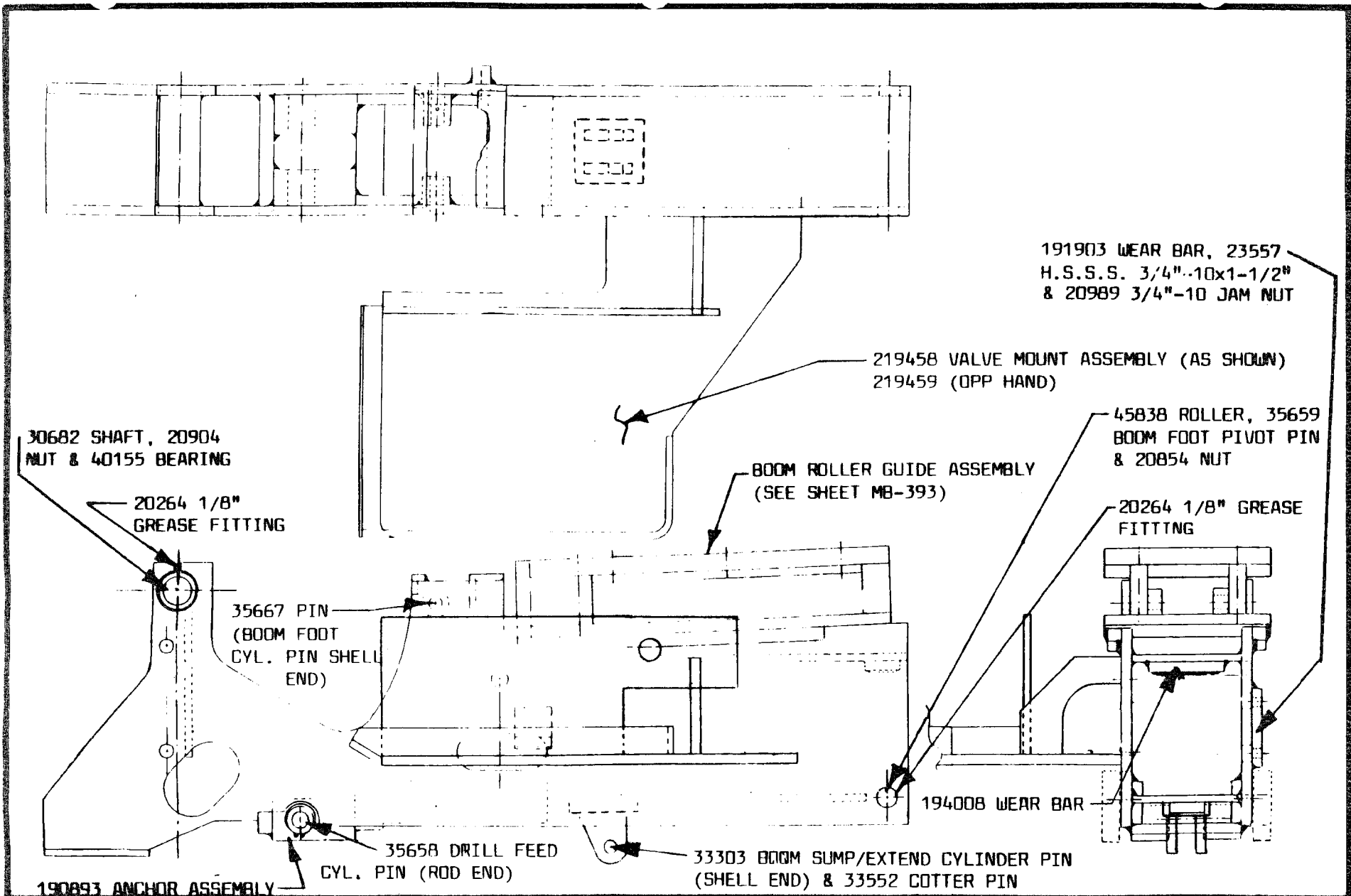
DATE

2-10-88

J.H. FLETCHER & CO.

402 HIGH STREET

HUNTINGTON, WVA.



SHEET NO.

MB-580

TITLE

224777 OUTER BOOM ASSEMBLY (AS SHOWN) L.H.
224778 OUTER BOOM ASSEMBLY (OPP HAND) R.H.

DATE

5-13-92

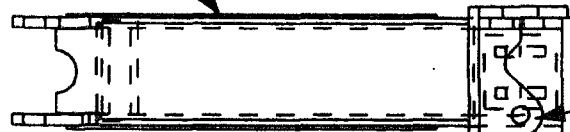
R

J. H. FLETCHER & CO.

707 WEST 7TH STREET

HUNTINGTON, W. VA

224614 WEAR STRIPS
(4 REQ'D)



*35943 PIN, *33552 1/4" X 1-1/2"
COTTER PIN

40059 CUP, *40060 CONE,
(TOP & BOTTOM) & * 21919
SPACER (BOTTOM ONLY)

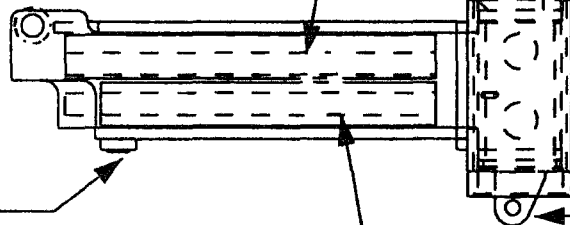
*46387 SHAFT, *20808 2-3/4"-12
HEX CAST. NUT, *35484 3/8"
X 4" COTTER PIN & *22499 1/4"
SQUARE FELT TOP & BOTTOM

20264 GREASE FITTING

NOT SHOWN: 45427 DOC BUMPER,
20100 3/4"-10 X 3" H.H.C.S.,
20758 3/4"-10 NUT &
22-22 3/4" L.W.

191911 WEAR STRIP

224624 SWING ANCHOR AS SHOWN (L.H.)
224625 SWING ANCHOR OPP. HAND (R.H.)



224617 BOOM SUMP/EXTEND ANCHOR
*30315 PIN (ROD END) & *33552
1/4" X 1-1/2" COTTER PINS

224615 WEAR STRIP
(2 REQ'D)

191912 WEAR STRIP

*INDICATES ITEMS NOT PART OF ASSEMBLY

SHEET NO.

MB-607

TITLE

229202 L.H. INNER BOOM ASS'Y (AS SHOWN)
229203 R.H. INNER BOOM ASS'Y (OPP. HAND)

DATE

6/7/93

J.H. FLETCHER & CO.

402 HIGH STREET

HUNTINGTON, W.VA.

SHEET NO.

TITLE

DATE

R

J. N. FLETCHER & CO.

707 WEST 7TH STREET

HUNTINGTON W VA

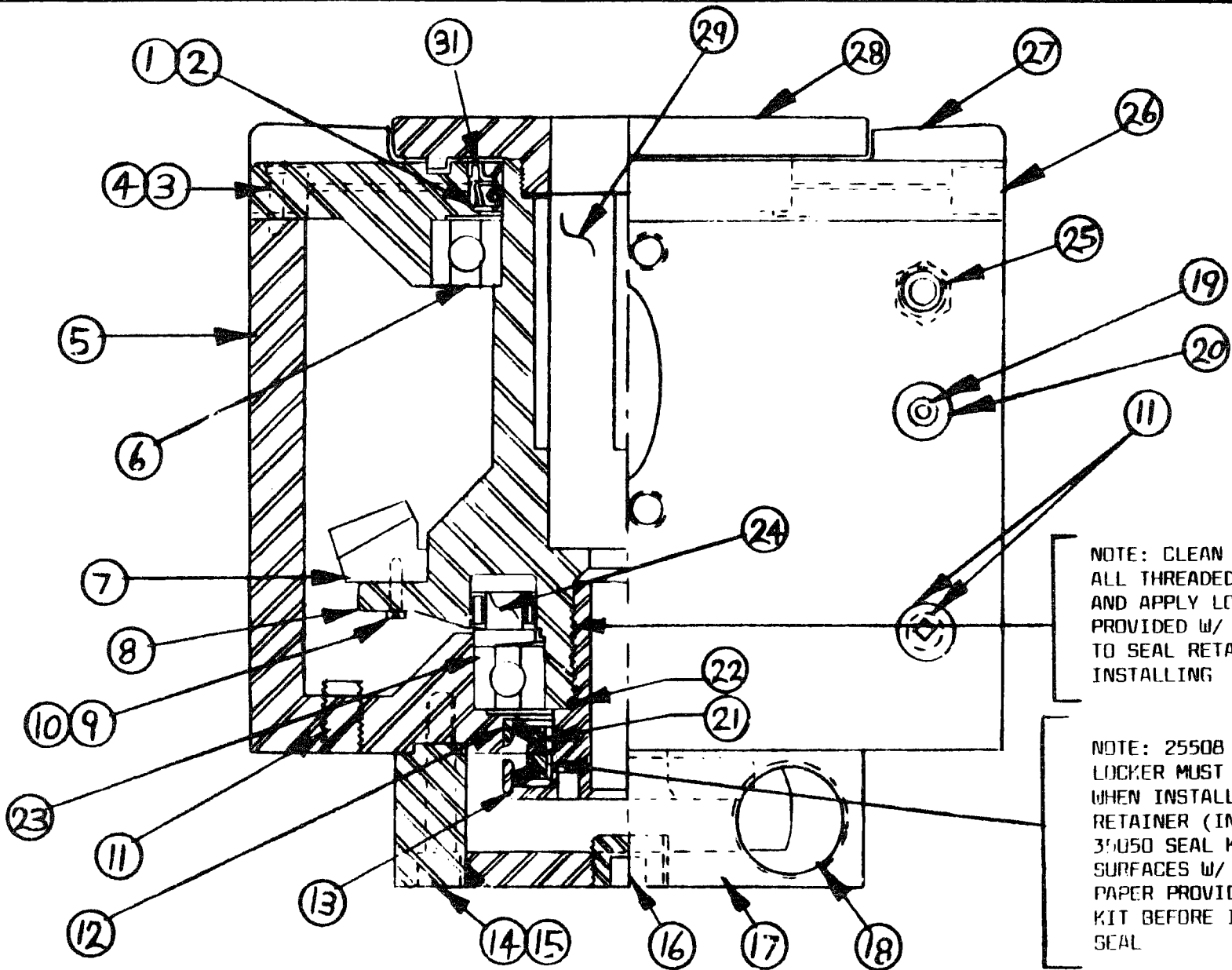
HM-89

DRILLHEAD ASSEMBLY

4-6-89

ITEM	DESCRIPTION	PART NO.	NO. REQ'D
1	* SEAL	24393	1
2	* SPEEDI SLEEVE	24395	1
3	3/8"-16x3/4" LG. S.H.C.S.	20186	12
4	3/8" LOCKWASHER	22046	12
5	DRILLHEAD BOX	94346	1
6	* BEARING	45464	1
7	RING GEAR & PINION SET	41268	1
8	SOCKET SHAFT	181350	1
9	3/8"-24x3/4" LG. H.H.C.S.	20026	10
10	3/8" LOCKWASHER	22010	10
11	1" NPT FLUSH PIPE PLUG	32627	3
12	SEAL ADAPTER RING	181397	1
13	SEAL RETAINER KIT	35052	1
14	1/2"-13x1" LG. S.H.C.S.	20163	4
15	1/2" LOCKWASHER	22046	4
16	3/4" NPT SQUARE SOCKET PLUG	32606	1
17	BOTTOM COVER ASSEMBLY	202015	1
18	* DUST HOSE NIPPLE	20352	1
19	3/4" FLUSH GREASE FITTING	20548	1
20	1"x3/4" NPT HEX PIPE BUSHING	20546	1
21	* SEAL KIT	35050	1
22	* O-RING	35327	1
23	* BEARING	2501	1
24	* THRUST BEARING	145026	1
25	3/8" FLUSH GREASE FITTING	18318	1
26	1/8" NPT GREASE FITTING	20264	2
27	TOP COVER	94376	1
28	FLINGER	161022	1
29	SOCKET	94300	1
31	* SEAL	24393	1
32	PACER NOT SHOWN - FOR	63905	1
33	PACER HYDRAULIC MOTOR	60996	1
34	* SNAP RING	24037	1
35	DRILLHEAD MOTOR (SEE SHEET HM- 89)	41849	1

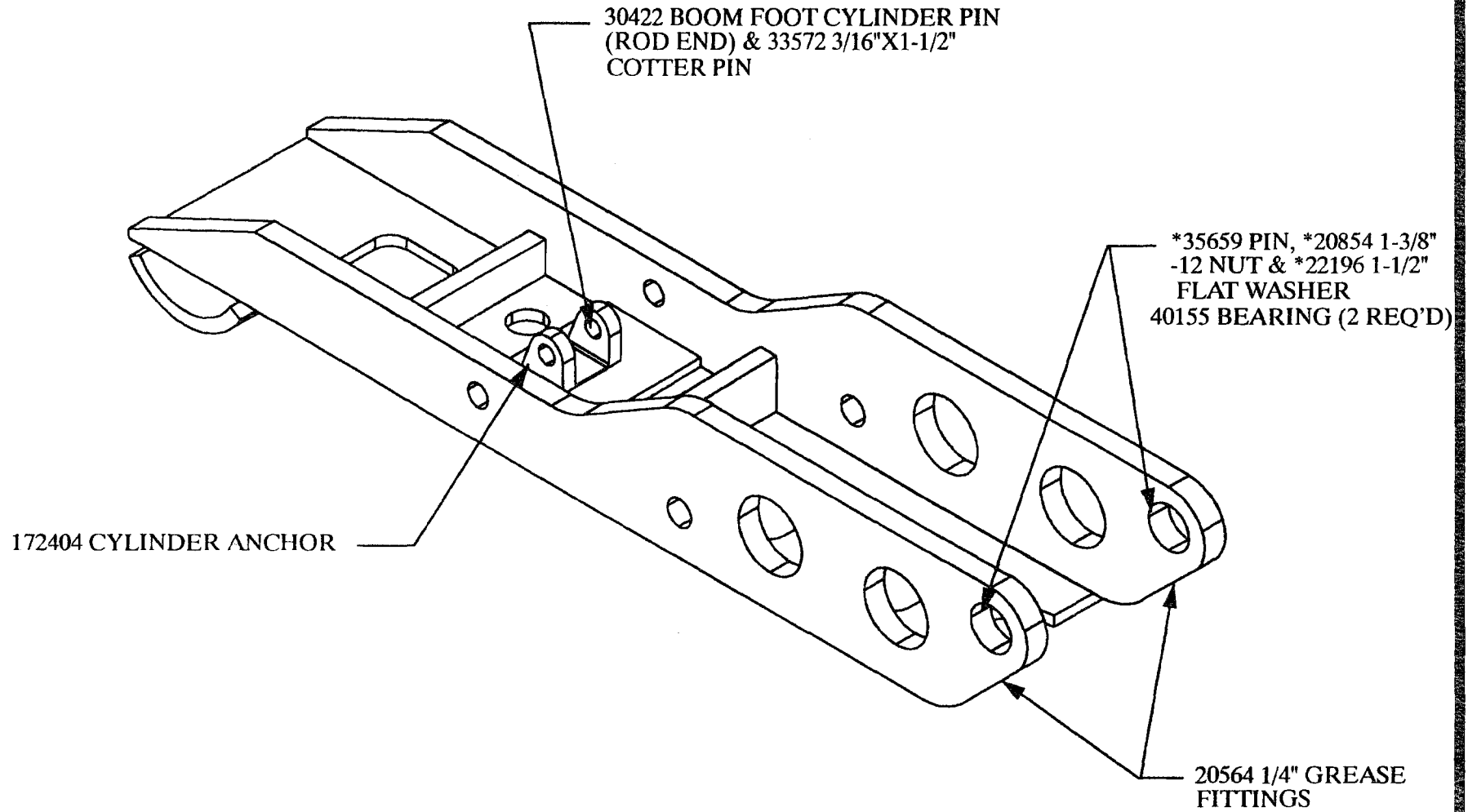
NOTES:* INDICATES PARTS INCLUDED IN
REBUILD KIT55971 DRILLHEAD ASSEMBLY ONLY55972 DRILLHEAD ASSEMBLY W/ MOTOR



NOTE: CLEAN OIL FROM ALL THREADED SURFACES AND APPLY LOCTITE PROVIDED W/ SEAL KIT TO SEAL RETAINER WHEN INSTALLING

NOTE: 25508 THREAD LOCKER MUST BE USED WHEN INSTALLING SEAL RETAINER (INCLUDED IN 37050 SEAL KIT). CLEAN SURFACES W/ TISSUE PAPER PROVIDED W/ SEAL KIT BEFORE INSTALLING SEAL

SHEET NO. MM-89	TITLE DRILLHEAD ASSEMBLY	DATE 4-6-89	R	J. N. FLETCHER & CO. 707 WEST 7TH STREET HUNTINGTON, W VA
--------------------	-----------------------------	----------------	---	---



*ITEMS NOT PART OF ASSEMBLY

SHEET NO.

MY-927

TITLE

224541 RETRACTING FOOT ASSEMBLY

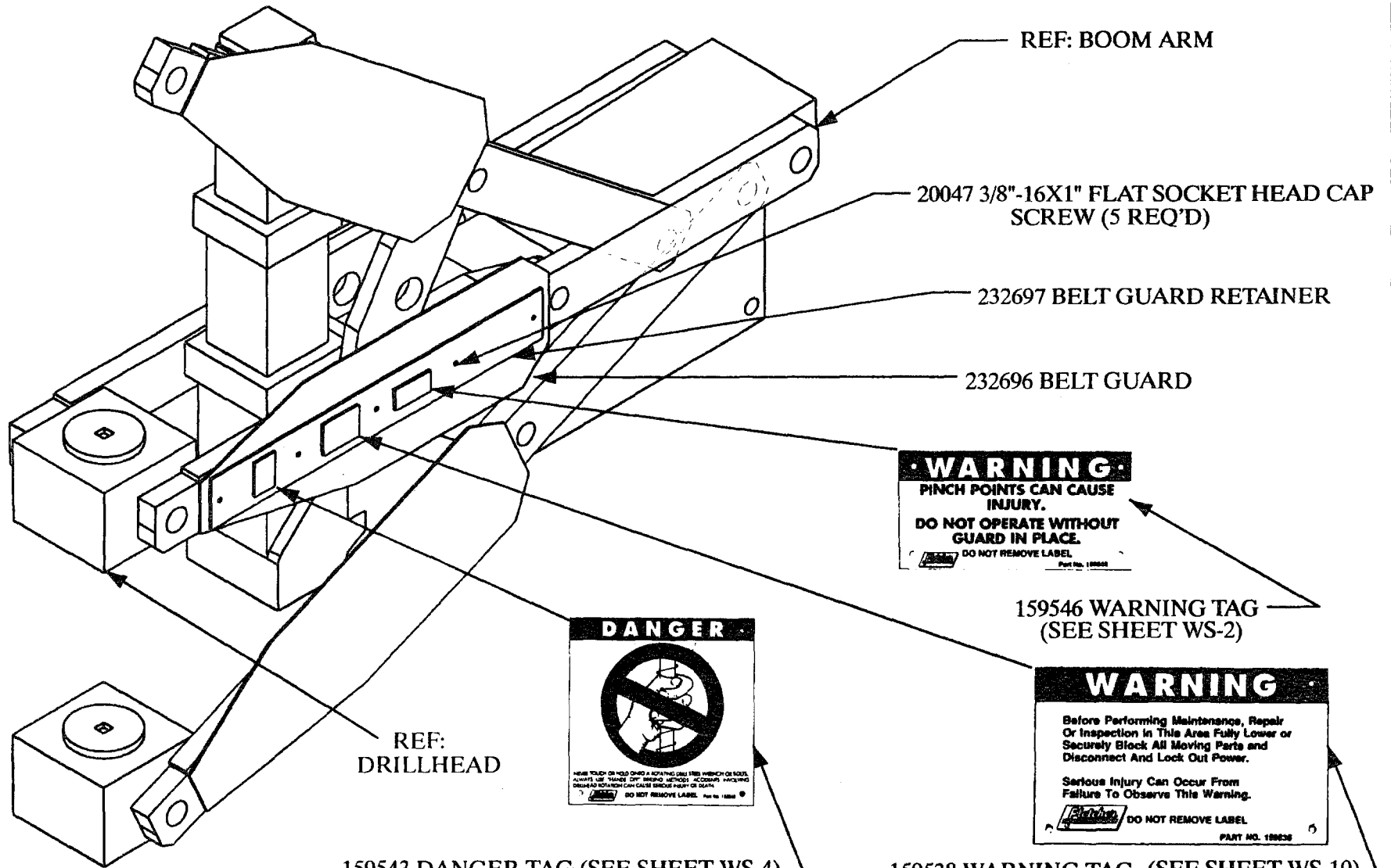
DATE

5/26/91

J.H. FLETCHER & CO.

402 HIGH STREET

HUNTINGTON, W.VA.



SHEET NO.

MY-1085

TITLE

BELT GUARD & TAG ARRANGEMENT

DATE

3/8/94

J.H. FLETCHER & CO.

402 HIGH STREET

HUNTINGTON, W.VA.

• WARNING •
**PINCH POINTS CAN CAUSE
INJURY.**
**DO NOT OPERATE WITHOUT
GUARD IN PLACE.**
 **DO NOT REMOVE LABEL**
Part No. 158546

SHEET NO.

WS-2

TITLE

159546 WARNING TAG

DATE

J.H. FLETCHER & CO.

402 HIGH STREET

HUNTINGTON, W.VA.

DANGER



NEVER TOUCH OR HOLD ONTO A ROTATING DRILL STEEL WRENCH OR BOLTS. ALWAYS USE "HANDS OFF" DRILLING METHODS. ACCIDENTS INVOLVING DRILLHEAD ROTATION CAN CAUSE SERIOUS INJURY OR DEATH.



DO NOT REMOVE LABEL Part. No. 159543



SHEET NO.

WS-4

TITLE

159543 DANGER TAG

DATE

J.H. FLETCHER & CO.

402 HIGH STREET

HUNTINGTON, W.VA.