

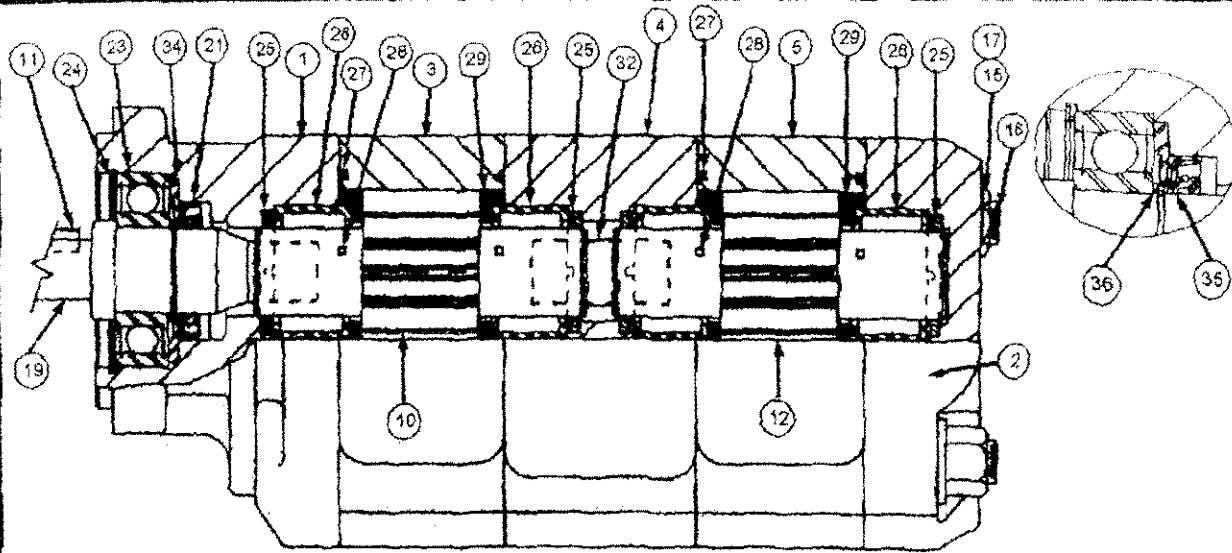
| SHEET NO | TITLE | DATE | R | J. W. FLETCHER & CO. |
|----------|---------------------------|------|---|---|
| | LOCATIONS FOR PUMP SYSTEM | | | 221 WEST 7TH STREET HUNTINGTON, W. VA. |

INDEX FOR PUMP SYSTEM

| <u>DESCRIPTION</u> | <u>PART NO.</u> | <u>SHEET NO.</u> | <u>NO. REQ'D</u> |
|-------------------------------|-----------------|------------------|------------------|
| HYDRAULIC PUMP ASSEMBLY | 143803 | HP-176 | 2 |
| HAND PUMP ASSEMBLY | 42004 | HY-56 | 1 |
| PUMP MOUNT ASSEMBLY | 45597 | HY-92 | 2 |
| HYDRAULIC OIL FILTER ASSEMBLY | 46860 | HY-124 | 2 |
| HAND PUMP FILTER | 46784 | HY-59 | |
| OIL BREATHER UNIT | 46907 | HY-140 | 1 |
| FLOW METERS | 31635 | HY-100 | |
| COUPLING ASSEMBLY | 40842 | MY-441 | 2 |
| CLEANOUT ASSEMBLY | 80348 | MY-126 | 1 |
| VENTURI FILL PUMP | 41913 | HY-151 | 1 |



**TABLE
OF
CONTENTS:**



NOTES:

1. ITEMS #30, #31, #35, & #36 ARE SHOWN ON MAIN DWG.
2. ASSEMBLE RING SEALS, ITEM #25, WITH SLOT FACING GEAR AS SHOWN
3. LIP SEAL, ITEM #21, MUST BE FLUSH WITH FACE OF RECESS. FOR ADHESIVE INSTRUCTIONS SEE HE-STD 35-21.
4. FLAT SIDE OF SEAL RETAINER, ITEM #36, MUST FACE LIP SEAL AS SHOWN.

| ITEM | DESCRIPTION | PART # | QTY | ITEM | DESCRIPTION | PART # | QTY |
|------|-----------------|--------|-----|------|------------------|--------|-----|
| 1 | SHAFT END COVER | 47049 | 1 | 2R | CHECK ASSEMBLY | 23048 | 2 |
| 2 | PORT END COVER | 150401 | 1 | 2B | BALL BEARING | 4018B | 1 |
| 3 | GEAR HOUSING | 147685 | 2 | 24 | SNAP RING | 24059 | 1 |
| 4 | BEARING CARRIER | 47109 | 1 | 26 | RING SEAL | 24380 | 4 |
| 5 | GEAR HOUSING | 47253 | 1 | 28 | ROLLER BEARING | 48856 | 8 |
| 10 | GEAR SHAFT SET | 155131 | 1 | 27 | SQ-R SEAL | 24498 | 4 |
| 11 | KEY | 23785 | 1 | 28 | SQ-RSTR SEAL | 24444 | 24 |
| 12 | GEAR SET | 155082 | 1 | 29 | THRUST PLATE | 23035 | 4 |
| 15 | WASHER | 22035 | 4 | 31 | DRIVE SCREW | 130023 | 2 |
| 16 | STUD | 37193 | 4 | 32 | CONNECTING SHAFT | 134425 | 1 |
| 17 | HEX NUT | 20953 | 4 | 34 | RETAINER SEAL | 24383 | 1 |
| 19 | SHAFT | 34023 | 1 | 35 | RETAINER SEAL | 24110 | 1 |
| 21 | LIP SEAL | 24487 | 1 | 36 | RETAINER SEAL | 24111 | 1 |

SHEET NO.

HP-176

143803

TITLE

HYDRAULIC PUMP ASSEMBLY

DATE

10-14-97

J. H. FLETCHER & CO.

402 HIGH STREET HUNTINGTON, WV

SHEET NO.

HY-56

TITLE

42004 HAND PUMP

DATE

1-22-66

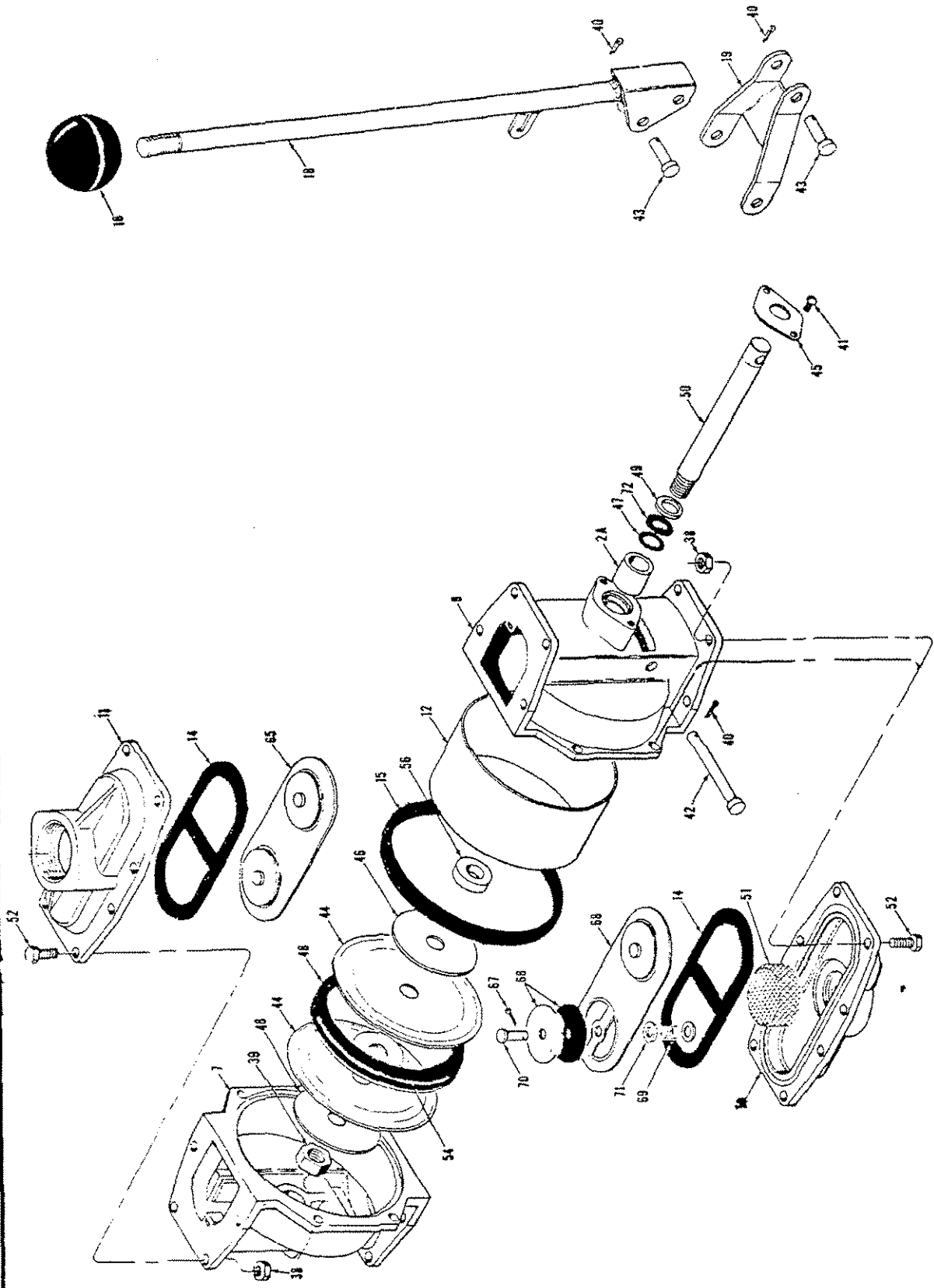
R

J. H. FLETCHER & CO.

707 WEST 7TH STREET

HUNTINGTON, W. VA.

| ITEM | PART NO. | DESCRIPTION | NO. REQ'D. |
|------|----------|---------------------|------------|
| 2A. | 45461 | BEARING | 1 |
| 7. | 45145 | CASE, REAR PUMP | 1 |
| 8. | 45146 | CASE ASSEMBLY, PUMP | 1 |
| 9. | 45147 | COVER, BOTTOM PUMP | 1 |
| 11. | 45148 | COVER, TOP PUMP | 1 |
| 12. | 45149 | CYLINDER | 1 |
| 14. | 30022 | GASKET | 2 |
| 15. | 30023 * | GASKET | 1 |
| 16. | 41540 | HANDLE | 1 |
| 18. | 41541 | LEVER ASSEMBLY | 1 |
| 19. | 41542 | LINK, ARM | 1 |
| 38. | 20766 | NUT, HEX | 20 |
| 39. | 20827 | NUT, PISTON | 1 |
| 40. | 30408 | PIN, COTTER | 3 |
| 41. | 20231 | PIN, DRIVE | 2 |
| 42. | 30446 | PIN, SADDLE LEVER | 1 |
| 43. | 30377 | PIN, PISTON ROD | 2 |
| 44. | 31072 | PLATE, PISTON | 2 |
| 45. | 23177 | PLATE, RETAINING | 1 |
| 46. | 31073 | REINFORCER, PISTON | 2 |
| 47. | 21340 * | "O" RING | 1 |
| 48. | 31074 * | RING, PISTON | 1 |
| 49. | 23178 | RING, WIPER | 1 |
| 50. | 31910 | ROD, PISTON | 1 |
| 51. | 23179 | SCREEN | 1 |
| 52. | 20090 | HX. HD. CAP SCREW | 20 |
| 54. | 22083 | SEPARATOR, PISTON | 1 |
| 56. | 21538 | SPACER, PISTON | 1 |
| 65. | 31472 | VALVE ASSEMBLY | 1 |
| 66. | 23180 | DISC | 2 |
| 67. | 30447 | PIN, COTTER | 2 |
| 68. | 23181 | PLATE, VALVE | 1 |
| 69. | 22805 | SPRING, VALVE | 2 |
| 70. | 30448 | STEM, VALVE | 2 |
| 71. | 22084 | WASHER | 4 |
| 72. | 22085 | WASHER | 1 |



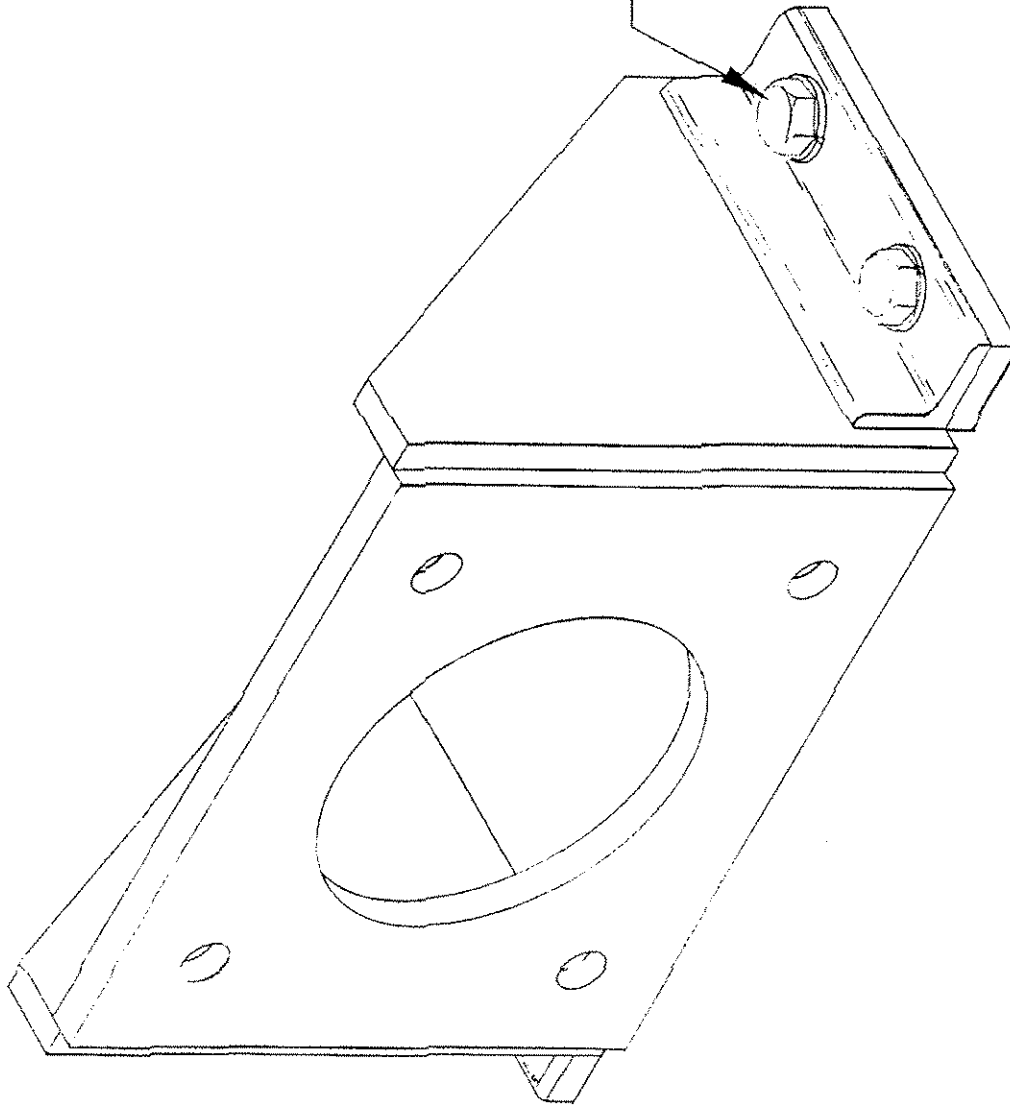
SHEET NO.
HY-56

TITLE
42004 HAND PUMP

DATE
1-22-66

R

J. H. FLETCHER & CO.
707 WEST 7TH STREET
HUNTINGTON, W. VA.



20079 HEX HD. CAP SCREW
WITH 22011 LOCKWASHERS
(4 REQ'D EACH)

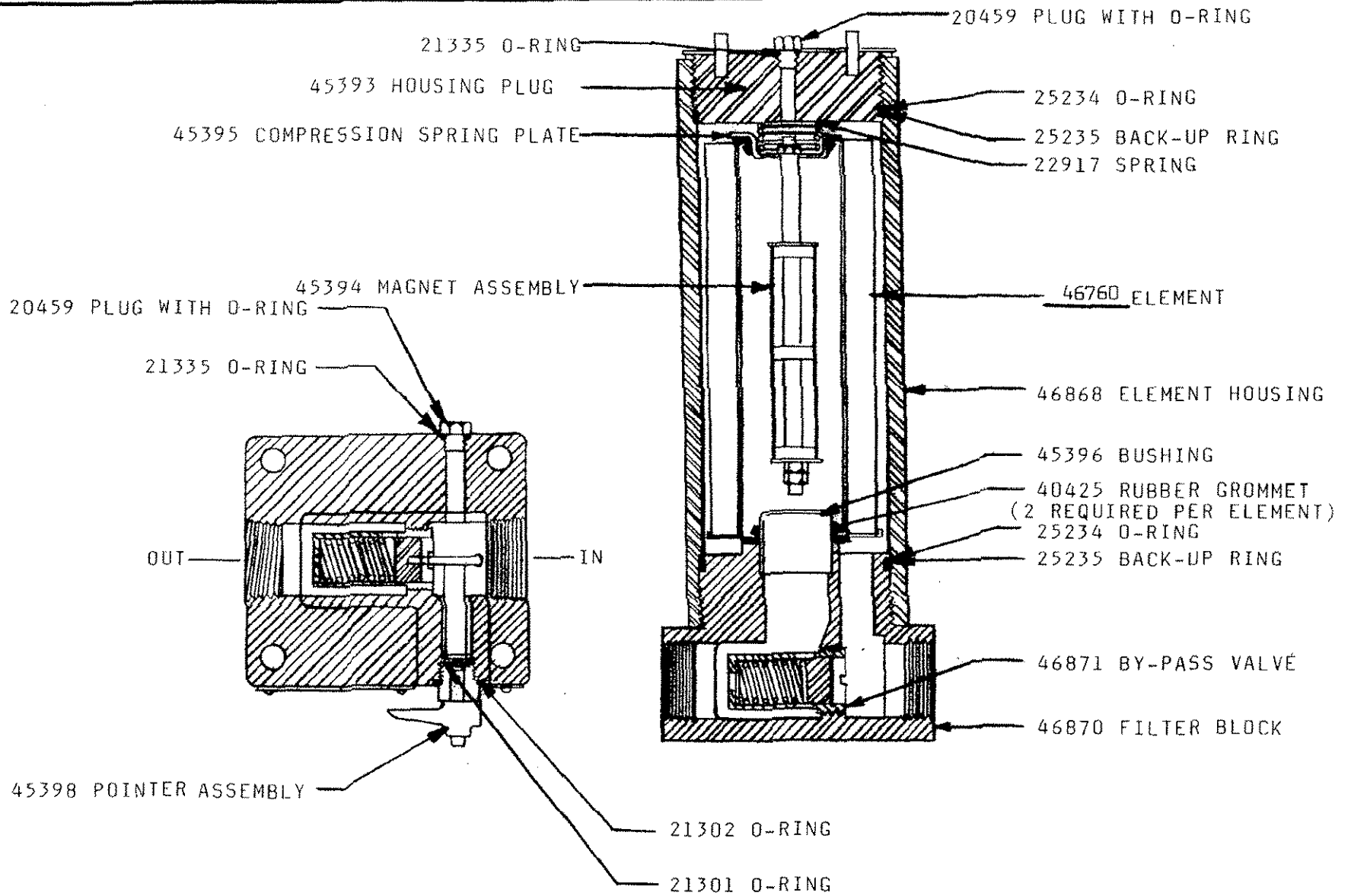
SHEET NO.
IN-92

TITLE
45597 PUMP MOUNT ASSEMBLY

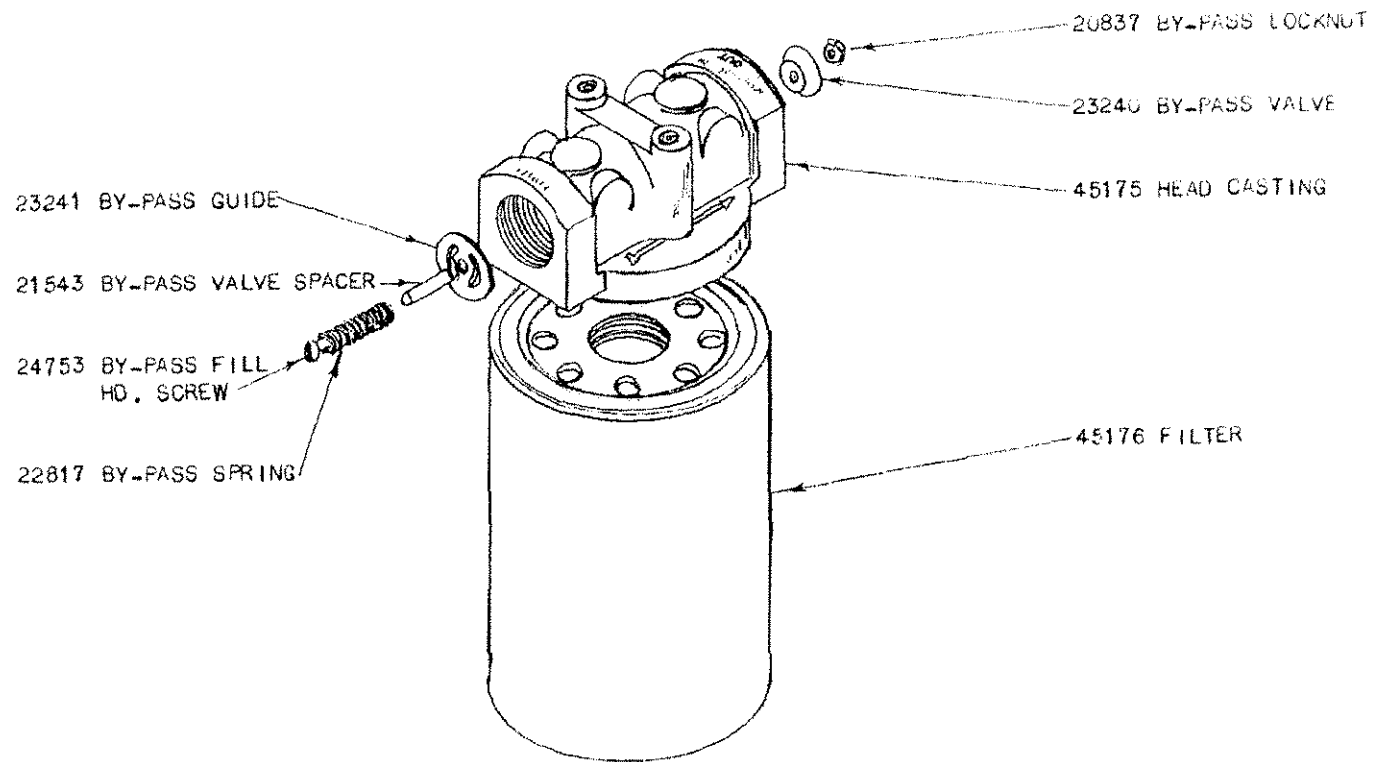
DATE

R

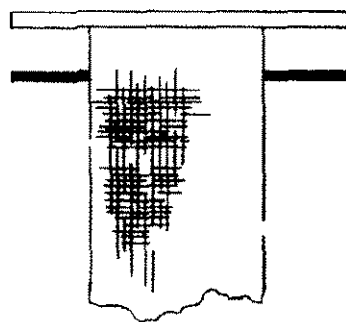
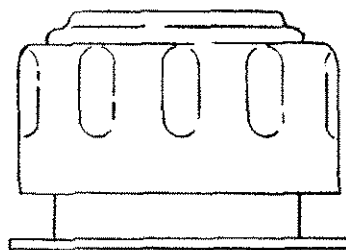
J. H. FLETCHER & CO.
707 WEST 7TH STREET
HUNTINGTON, W. VA.



| SHEET NO. | TITLE | DATE | R | J. W. FLETCHER & CO. 707 WEST 7TH STREET HUNTINGTON, W. VA. |
|-----------|--|---------|---|---|
| HY-124 | <u>46860</u> HYDRAULIC FILTER ASSEMBLY | 1-29-79 | | |



| | | | | |
|--------------------|---------------------------------|------------------|---|--|
| SHEET NO. HY-59 | TITLE 46784 HAND PUMP FILTER | DATE 11-19-66 | R | J. W. FLETCHER & CO. <small>707 WEST 7TH STREET HUNTINGTON, W. VA.</small> |
|--------------------|---------------------------------|------------------|---|--|



NOT SHOWN:
MOUNTING SCREWS - TYPE "F" #8-32x $\frac{1}{2}$ " LG.
SLOTTED ROUND HEAD SCREW (3 REQ'D)

SHEET NO.

HY-140

TITLE

46907 OIL BREATHER CAP (5 P.S.I.)

DATE

8/11/81

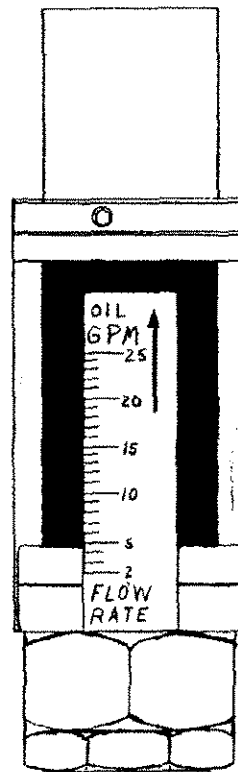
R

J. H. FLETCHER & CO.

707 WEST 7TH STREET

HUNTINGTON, W. VA.

NOTE: No Parts Recommended For
Field Service. Replace
Complete flow Meter



SHEET NO.

HY-100

TITLE

31635 FLOW METERS

DATE

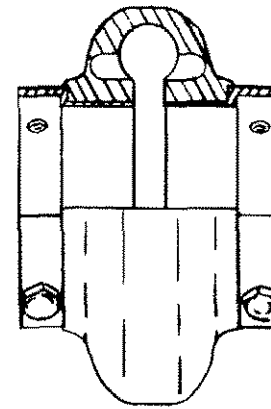
R

J. H. FLETCHER & CO.

707 WEST 7TH STREET

HUNTINGTON, W. VA.

40846 URETHANE FLEX ELEMENT



40845 HUB
(PUMP SIDE)

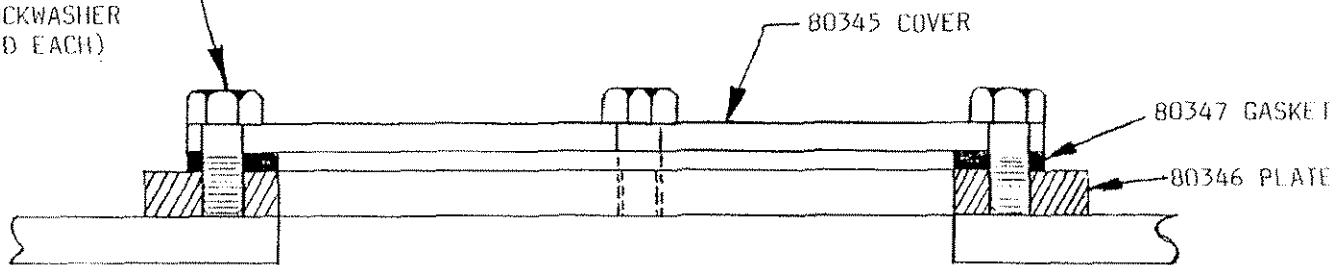
40844 HUB
(MOTOR SIDE)

5/8"-16x5/8"LG.
HEX HD. CAP SCREW
(8 REQ'D)

NOT SHOWN:
MOTOR SIDE, BT-2 KEY (1 REQ'D)
1/2"-13x1/2"LG. SET SCREW (2 REQ'D)
PUMP SIDE, 23765 KEY (1 REQ'D)
3/8"-16x1/2" SET SCREW (2 REQ'D)

| | | | | |
|----------------------------|---|-------------------------|----------|---|
| SHEET NO. MY-441 | TITLE 40842 COUPLING ASSEMBLY | DATE 10/14/80 | R | J. W. FLETCHER & CO. 707 WEST 7TH STREET HUNTINGTON, W. VA. |
|----------------------------|---|-------------------------|----------|---|

3/8"-16 X 3/4" LG.
HEX HEAD CAP SCREW
3/8" LOCKWASHER
(8 REQ'D EACH)



SHEET NO.

MY-126

TITLE

80348 CLEANOUT ASSEMBLY

DATE

12-10-71

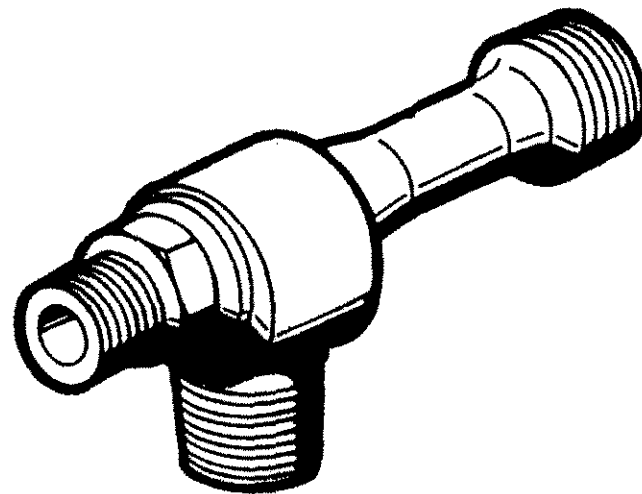
R

J. W. FLETCHER & CO.

707 WEST 7TH STREET

HUNTINGTON, W. VA.

NOTE: NO PARTS RECOMMENDED FOR FIELD SERVICE.
(REPLACE COMPLETE PUMP)



| | | | | |
|---------------------|----------------------------------|------|---|---|
| SHEET NO. HY-151 | TITLE 41913 VENTURI FILL PUMP | DATE | R | J. H. FLETCHER & CO. 707 WEST 7TH STREET HUNTINGTON, W. VA. |
|---------------------|----------------------------------|------|---|---|