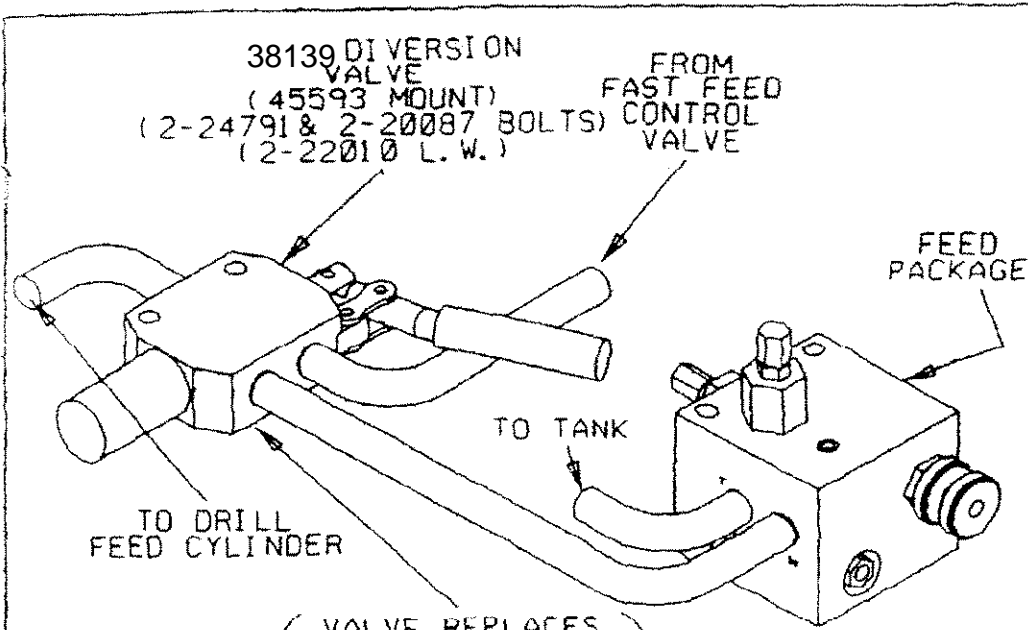


J. H. FLETCHER & CO. Box 2187 -- Huntington, WV 25722-2187 -- 304/525-7811 -- FAX 304/525-3770

TWO HAND FAST FEED
INSTALLATION/TRAINING INSTRUCTIONS

J.H. Fletcher & Co.
Box 2187
Huntington, WV 25722

Part Number: 159080

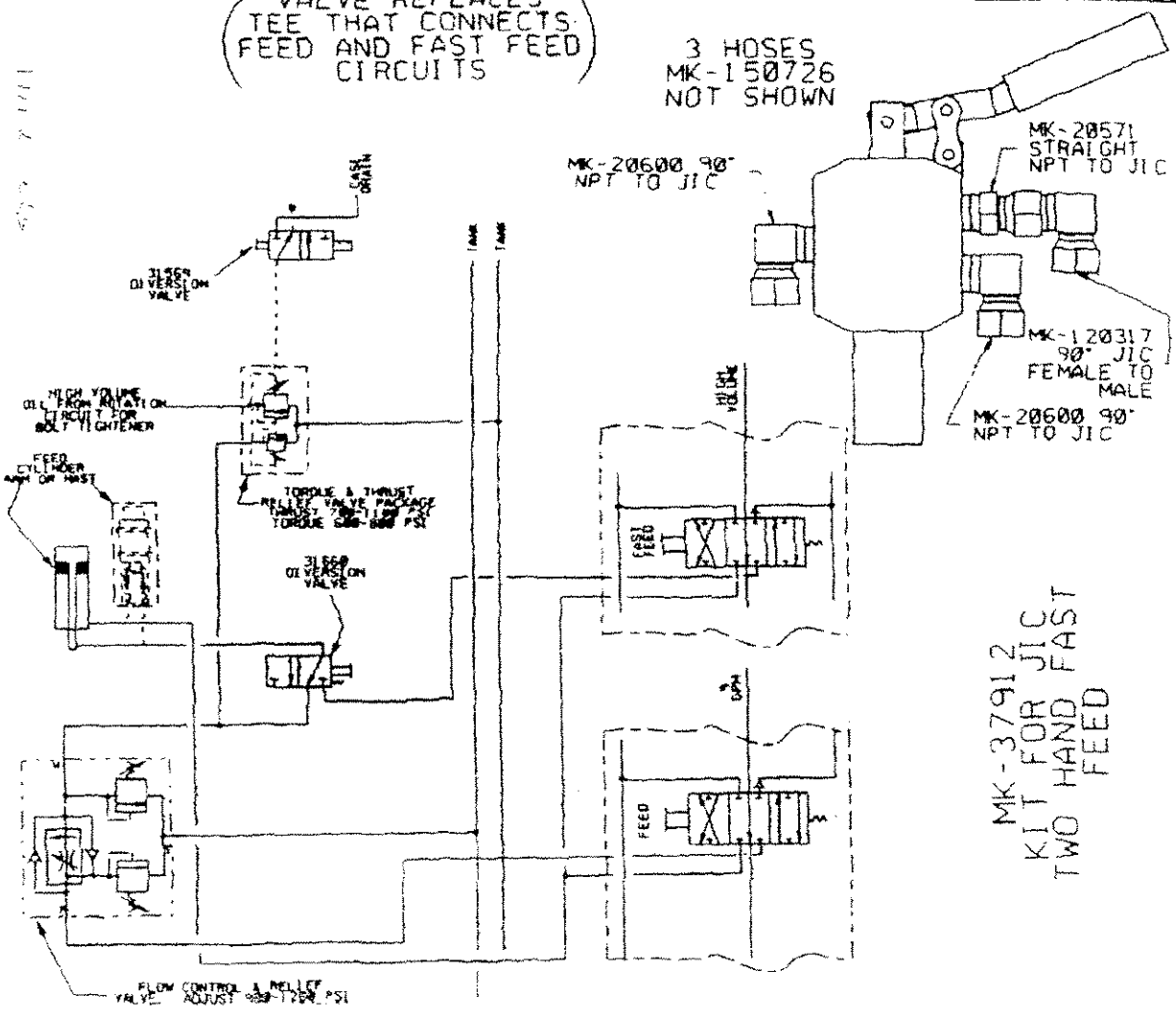


(VALVE REPLACES TEE THAT CONNECTS FEED AND FAST FEED CIRCUITS)

3 HOSES
MK-150726
NOT SHOWN

J. H. FLETCHER & CO. ©
 P.O. BOX 1000, WILSON, N.C. 27157
TWO HAND FAST FEED KIT FOR JIC HOSES
 DRAWN BY: N/A
 DATE: 04-15-94
 SCALE: N/A
 DWG NO: 112-94-191M

579 7 1711



MK-37912
KIT FOR JIC
TWO HAND FAST FEED

TWO HAND FAST FEED RETROFIT

LOCATION:

The installation of the additional diversion valve will complete the two hand fast feed circuit.

On Model DDO and RRII roof bolters the installation should be done by installing the fast feed lever beside the bolt tightener valve (see illustration A and B). This location will cause the operator to position himself away from the boom, when he is using the fast feed lever.

If you are installing the two hand fast feed on machines other than a DDO or RRII, connect the new diversion valve in such a way that the fast feed must be actuated with both hands.

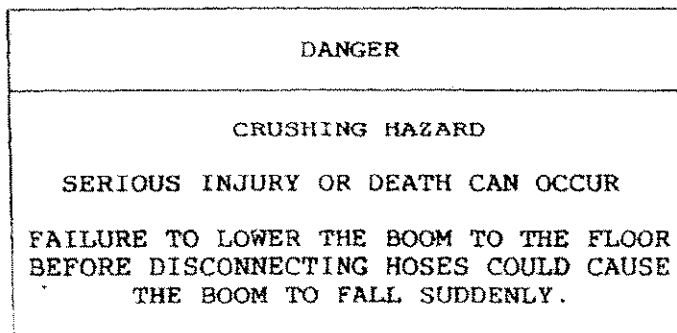
COMPLICATIONS IN INSTALLATION:

J.H. Fletcher & Co. suggests that you notify our Sales Department if installation problems occur.

INSTALLATION

The installation of the fast feed lever can be accomplished in the following manner:

1. Tram machine to a safe work area.
2. Lower boom to the floor and turn off power.



3. Shut power off and lock out at power distribution box.
4. Operate feed and fast feed lever to vent any residual pressure from hoses.

5. When installing fast feed valve, actuate spool during the mounting and tightening of mounting bolts and fittings to assure that valve spool does not bind due to over tightening. If the valve should bind, loosen fastener nuts until the handle operates freely.
6. A qualified maintenance person must install the fast feed lever. Follow instructions on hydraulic and piping circuit provided.

On a DDO or RRII attach new valve to bolt tightener valve. On other machines place new valve in such a way that operator cannot actuate handles with one hand.

CHECK TO ENSURE IT OPERATES CORRECTLY

1. Turn machine on.
2. Ensure that you are positioned away from boom area.
3. Push fast feed lever in the valve chest by itself. If it still operates, the fast feed is installed improperly.
3. When installed correctly, the boom will raise only when the fast feed valve in the valve chest and the newly installed valve are actuated. NOTE: New fast feed diversion valve must be actuated to raise or lower boom.

CAUTION

If an operator overrides the new diversion valve, so that the fast feed would work all the time; this would disable the feed circuit. Normal feed circuit will not work.

DANGER

CRUSHING HAZARD
SERIOUS INJURY OR DEATH CAN OCCUR.
ALWAYS REPLACE DIVERSION VALVE
WITH SPRING ACTUATOR VALVE.

Page 3

TRAINING

After you have installed the two-hand fast feed lever place the orange tag near the additional handle to notify the operator that you have modified this machine.

Complete and return the RETROFIT VERIFICATION FORM to J. H. Fletcher & Co. safety department upon completing the retrofit on your bolter with the Two Hand Fast Feed diversion valve.

FOR ADDITIONAL INFORMATION CONCERNING THE MACHINE OPERATION ALWAYS HAVE YOUR OPERATORS READ AND FAMILIARIZE THEMSELVES WITH THE OPERATOR AND MACHINE MOUNTED OPERATORS MANUALS

USING THE TWO-HAND FAST FEED LEVER

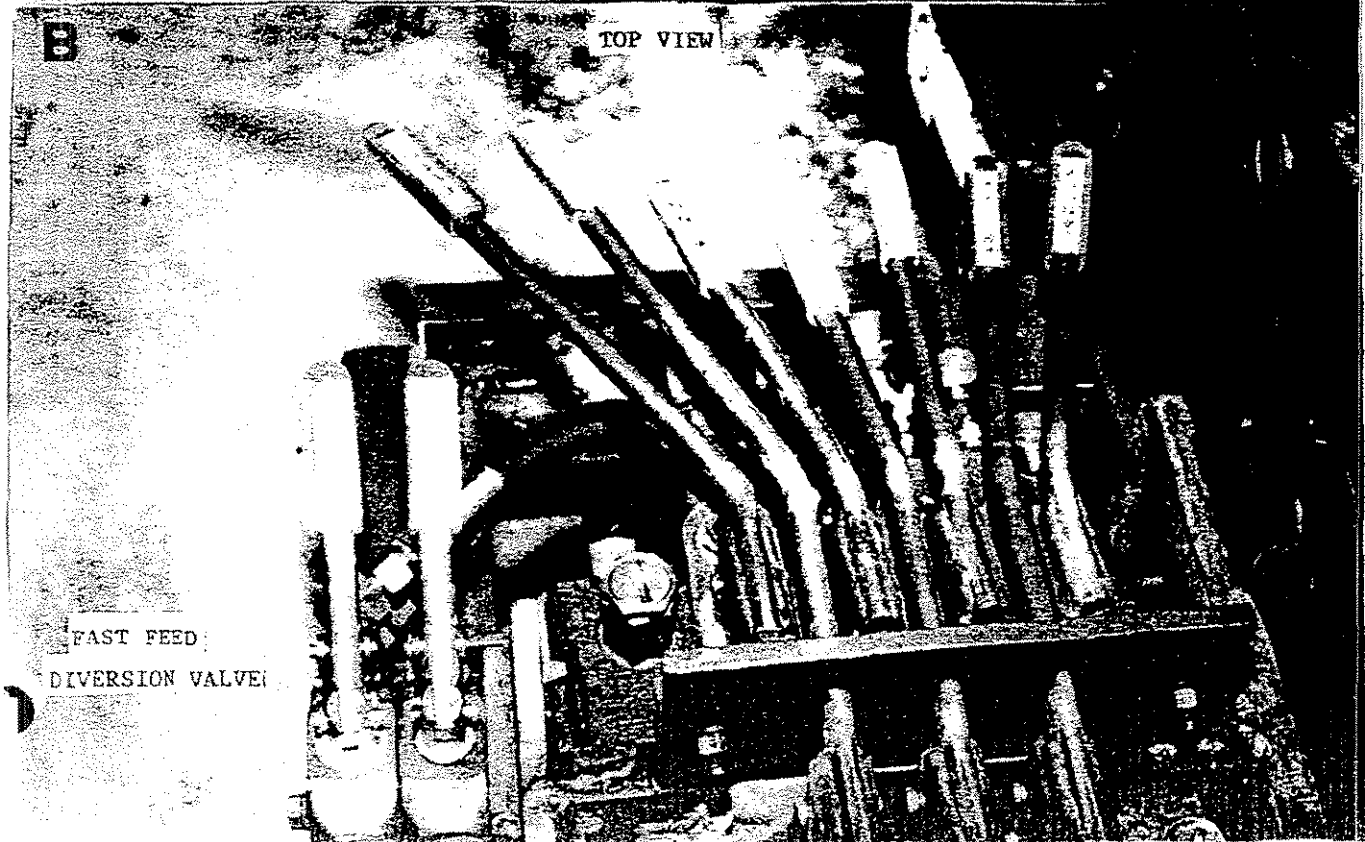
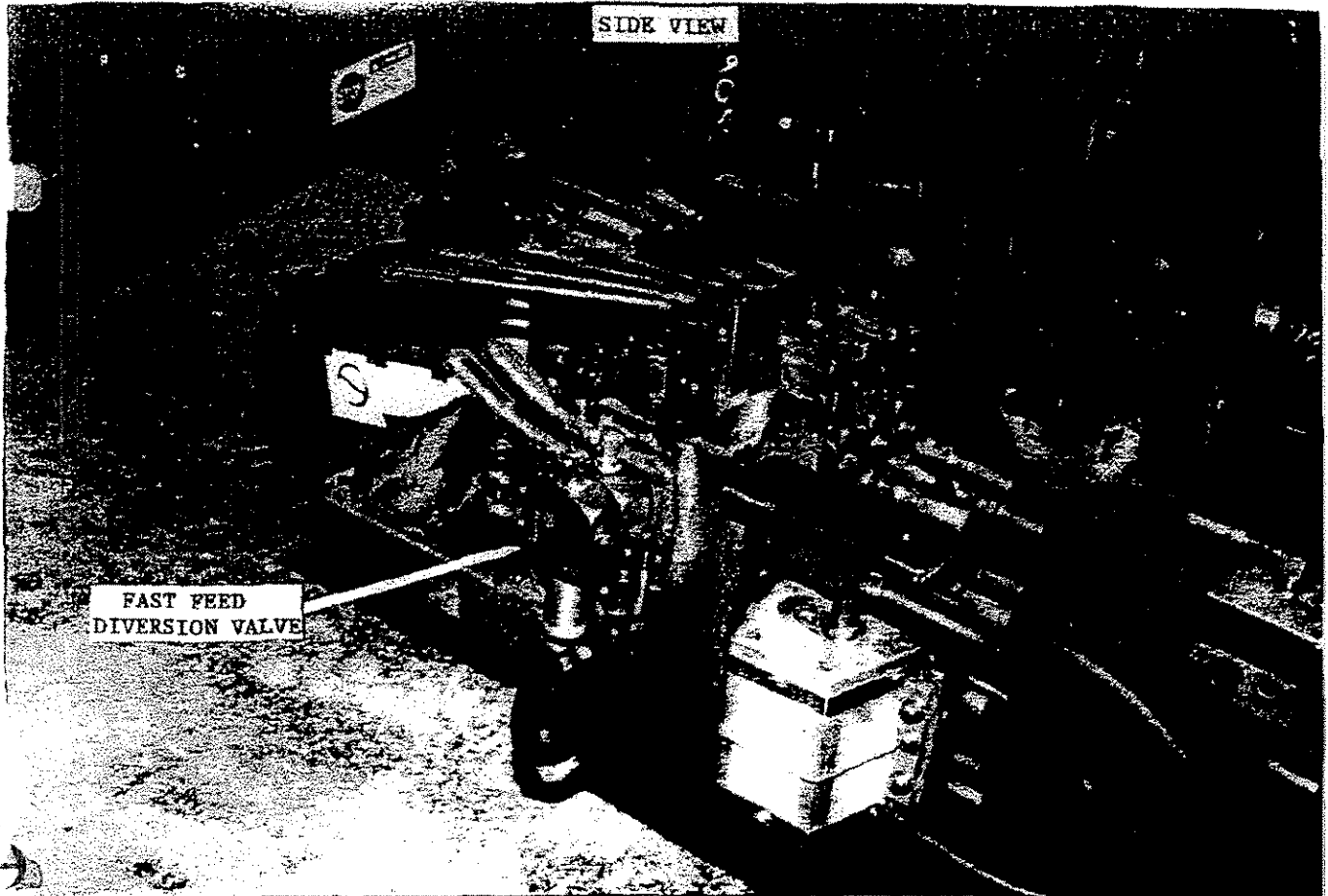
TO USE THE FAST FEED, THE OPERATOR MUST ENGAGE THE FAST FEED DIVERSION VALVE AS WELL AS THE FAST FEED CONTROL VALVE LEVER. WITH THE DIVERSION VALVE ENGAGED THE FEED CONTROL BECOMES INOPERABLE.

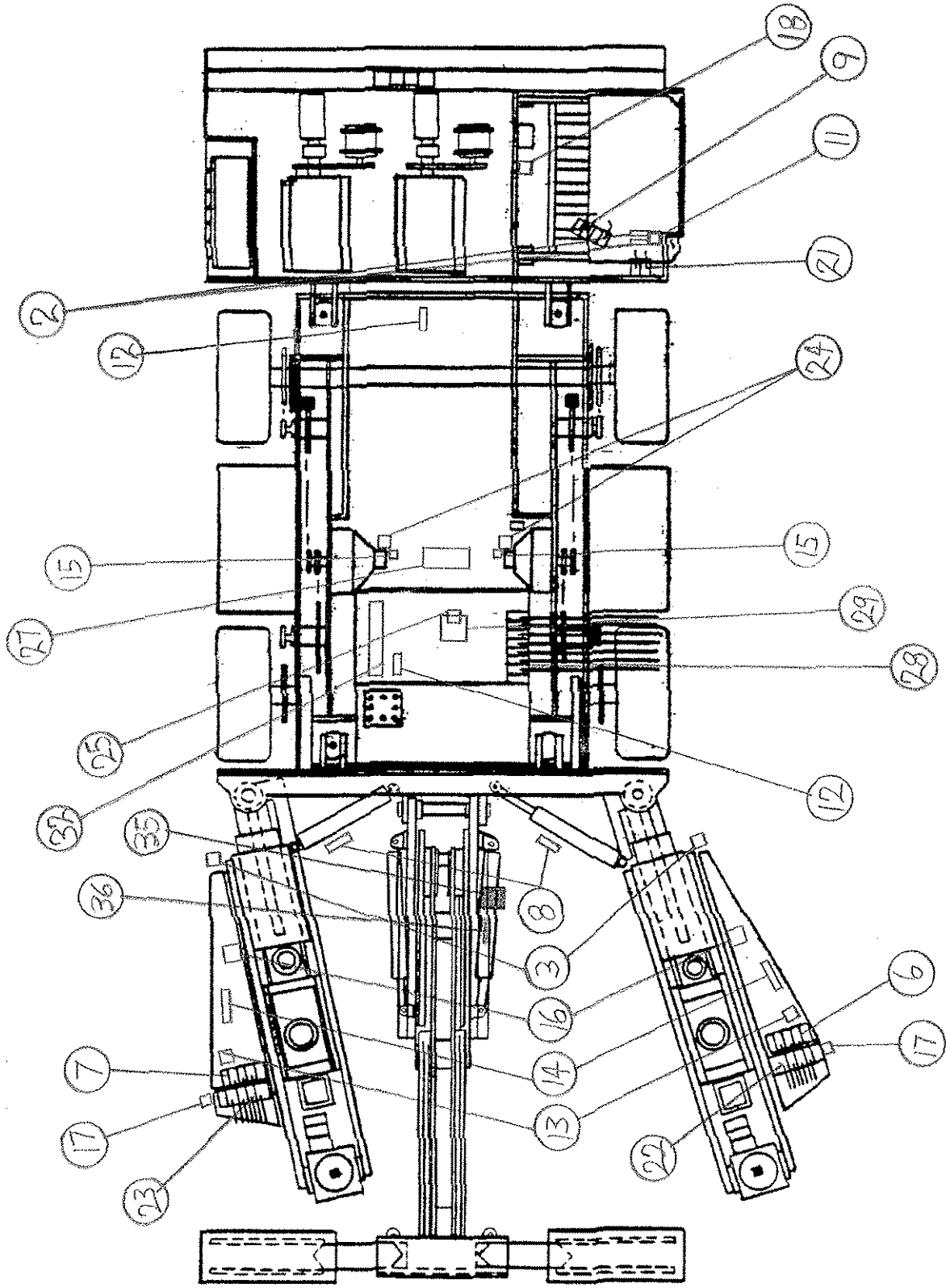
⚠ DANGER



CRUSHING HAZARD!
SERIOUS INJURY OR DEATH WILL OCCUR!
NEVER PLACE YOUR HEAD OR ANY BODY PART BETWEEN BOOM AND CANOPY.

 PART NO. 19878





SHEET NO

TITLE
LOCATIONS FOR VALVE SYSTEM

DATE

R

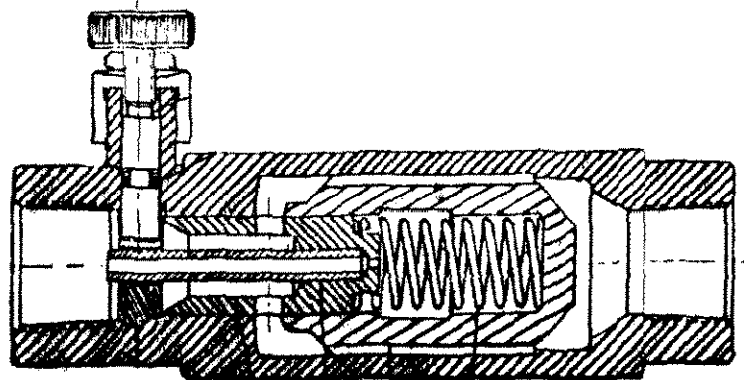
J. H. FLETCHER & CO.
 211 WEST 11TH STREET
 HUNTINGTON, W. VA.

INDEX FOR VALVE SYSTEM

<u>DESCRIPTION</u>	<u>PART NO.</u>	<u>SHEET NO.</u>	<u>NO. REQ'D</u>
ADJUSTABLE FLOW CONTROL VALVE	31468	HV-170	3
FLOW CONTROL VALVE	31508	HV-252	2
FLOW CONTROL VALVE	31531	HV-268	2
SHUTTLE VALVE	31530	HV-330	2
RELIEF & FLOW CONTROL VALVE PKG.	37810	HV-337	2
DIRECTION CONTROL VALVE	31569	HV-360	2
PILOT CHECK VALVE CARTRIDGE	31577	HV-401	11
MOTION CONTROL VALVE & SHUTTLE	36971	HV-1527	2
HYD. POWER TAKE-OFF PACKAGE	37851	HV-603	
RELIEF VALVE	31658	HV-634	2
DUAL DIVERSION VALVE ASSEMBLY	47447	HV-1020	1
ATRS VALVE PACKAGE	33787	HV-2089	1
CABLE REEL VALVE	38145	HV-2082	
CONTROL VALVE ASSEMBLY	147093	HV-1125	
CONTROL VALVE (L.H. BOOM)	147075	HV-1128	
CONTROL VALVE (R.H. BOOM)	147076	HV-1129	
CONTROL VALVE (L.H. BOOM)	147071	HV-1130A	
CONTROL VALVE (R.H. BOOM)	147071	HV-1130B	
CONTROL VALVE ASSEMBLY	147086	HV-1137	
VENTED TORQUE & RELIEF VALVE	37778	HV-1148	2
CHECK VALVE ASSEMBLY (BI-7)	2531	HV-76	2
CONTROL VALVE	44167	HV-263	
VALVE HANDLE ASSEMBLY	41513	HY-40	
HANDLE & LINKAGE ASSEMBLY	41556	HY-72	4
HYDRAULIC ACCUMULATOR	45414	HY-130	1
POSITION CONTROL STATION		MY-323	
CHECK VALVE ASSEMBLY (BI-6)	2530	HV-75	1



COMP. FLOW

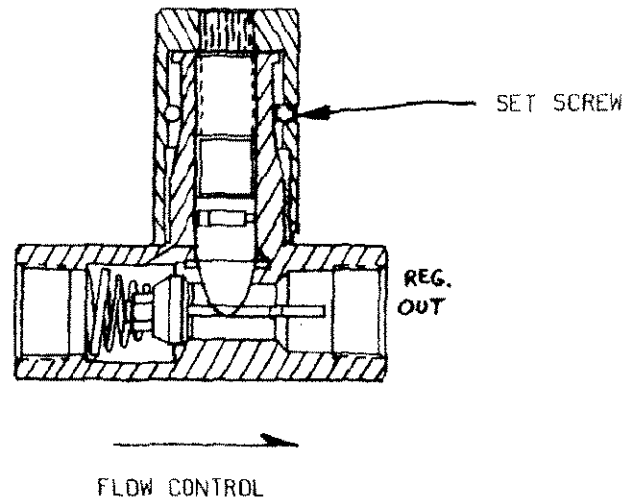
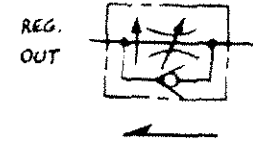


NOTE: NO PARTS ARE RECOMMENDED FOR FIELD SERVICE.
REPLACE COMPLETE VALVE.

3 REQ'D

1 REQ'D FOR THE SPOOLER DILER
2 REQ'D, 1 FOR EACH BOOM SWING

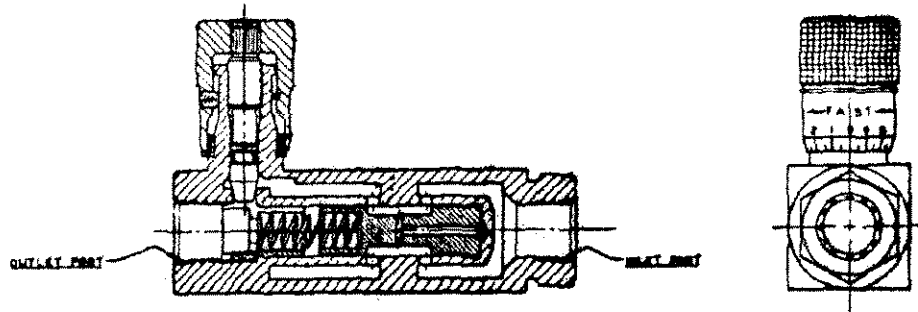
SHEET NO.	TITLE	DATE	R	J. W. FLETCHER & CO.
HV-170	31468 ADJUSTABLE FLOW CONTROL VALVE	10/18/65		707 WEST 7TH STREET HUNTINGTON, W. VA.



NOTE:
 NO PARTS ARE RECOMMENDED FOR FIELD
 SERVICE. REPLACE COMPLETE VALVE.

2 REQ'D, 1 FOR EACH FRONT & REAR LIFT

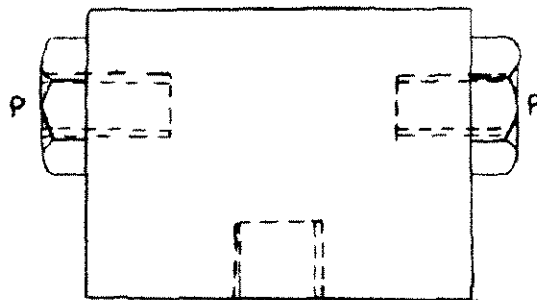
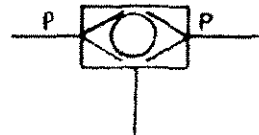
SHEET NO.	TITLE	DATE	R	J. W. FLETCHER & CO.
HV-252	3150B FLOW CONTROL VALVE	4/7/80		707 WEST 7TH STREET HUNTINGTON, W. VA.



NOTE:
 NO PARTS RECOMMENDED FOR FIELD SERVICE.
 REPLACE COMPLETE VALVE.

2 REQ'D FOR ROTATION

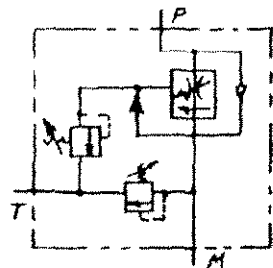
SHEET NO. HV-268	TITLE 31531 FLOW CONTROL VALVE	DATE 5/6/80	R	J. M. FLETCHER & CO. 707 WEST 7TH STREET HUNTINGTON, W. VA.
---------------------	-----------------------------------	----------------	---	---



NOTE: NO PARTS ARE RECOMMENDED FOR FIELD SERVICE. REPLACE COMPLETE VALVE.

2 REQ'D FOR DISC BRAKES

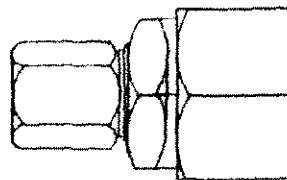
SHEET NO. HV-330	TITLE 31530 SHUTTLE VALVE	DATE	R	J. W. FLETCHER & CO. 707 WEST 7TH STREET HUNTINGTON, W. VA.
---------------------	------------------------------	------	---	---



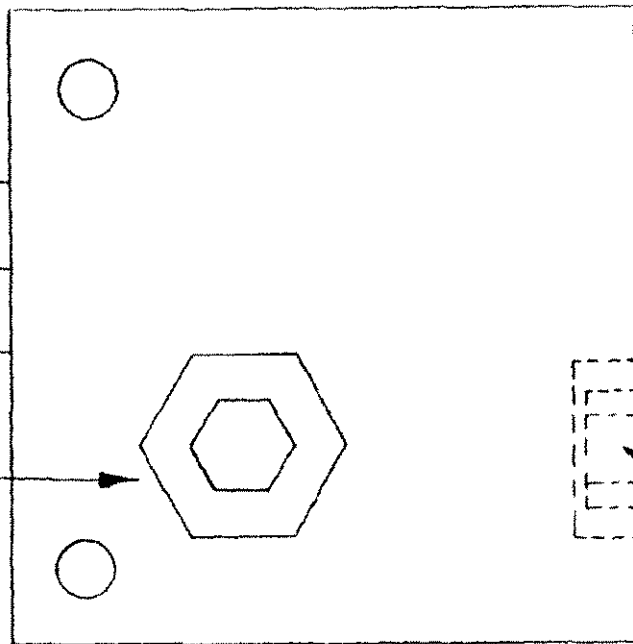
GRAPHICAL SYMBOL

23433 ADJUSTMENT ASSEMBLY

25440 KNOB KIT



23455 RELIEF CARTRIDGE



23435 CHECK PARTS GROUP

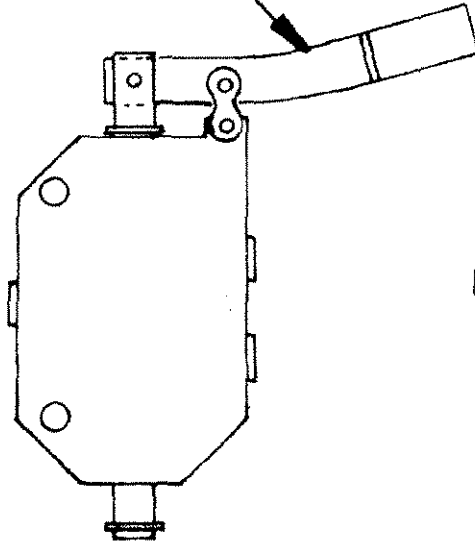


23434 FLOW REGULATOR ASSEMBLY

2 REQ'D, 1 FOR EACH DRILL FEED

SHEET NO.	TITLE	DATE	R	J. W. FLETCHER & CO.
IV-337	37810 RELIEF & FLOW CONTROL VALVE PACKAGE	2/8/83		787 WEST 7TH STREET HUNTINGTON, W. VA.

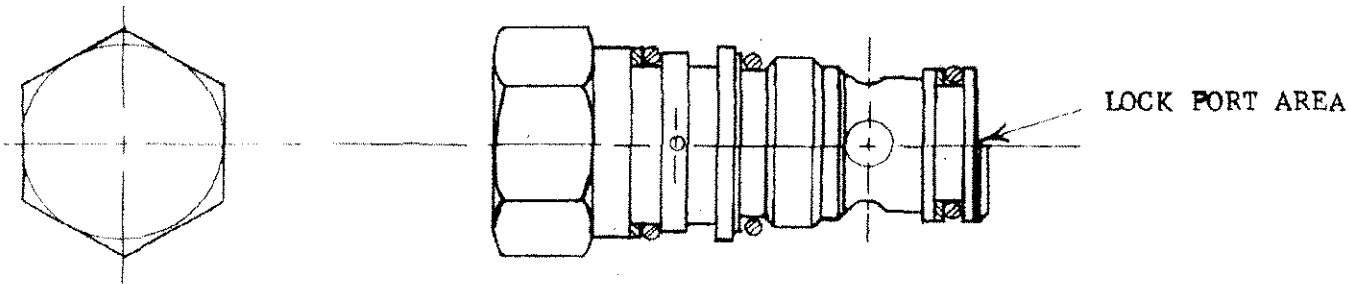
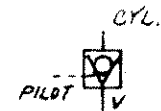
36823 HANDLE KIT



NOTE: NO PARTS ARE RECOMMENDED FOR SERVICE. THE COMPLETE VALVE MUST BE REPLACED.

2 REQ'D, 1 FOR EACH BOLT TIGHTENER

SHEET NO. HV-360	TITLE 31569 DIRECTION CONTROL VALVE	DATE 12-12-72	R	J. H. FLETCHER & CO. 707 WEST 7TH STREET HUNTINGTON, W. VA.
---------------------	--	------------------	---	---



35387 O-RING & BACK-UP KIT

11 REQ'D

- 1 REQ'D FOR THE TRS RAISE
- 2 REQ'D, 1 FOR EACH BOOM SWING CYLINDER
- 2 REQ'D, 1 FOR EACH DRILL CANOPY RAISE CYLINDER
- 2 REQ'D, 1 FOR EACH BOOM FOOT CYLINDER
- 4 REQ'D, 1 FOR EACH FRONT & REAR LIFT CYLINDER

<p>SHEET NO. HV-401</p>	<p>TITLE 31577 PILOT CHECK VALVE CARTRIDGE</p>	<p>DATE 6-5-74</p>	<p>R</p>	<p>J. H. FLETCHER & CO. 707 WEST 7TH STREET HUNTINGTON, W. VA.</p>
-----------------------------	--	------------------------	----------	---

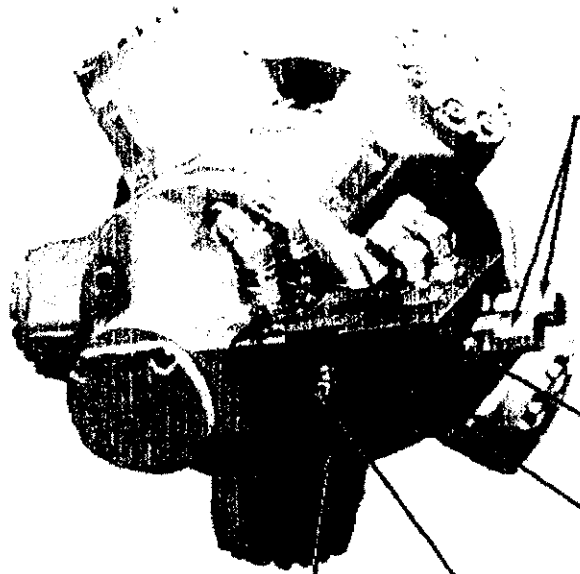


BACK NEXT

TABLE OF CONTENTS:

- MISCELLANEOUS
- ELECTRICAL
- PUMP SYSTEM
- TRAM SYSTEM
- DRILLING UNIT
- DUST COLLECTION
- SAFETY COMPONENT
- VALVES
- WATER (OPTIONAL)
- ORDER FORM

MAIN



*HYDRAULIC MOTOR
(SEE SHEET HM-58)

37125 RELIEF CARTRIDGE
(2 REQ'D) (135180 SEAL KIT)

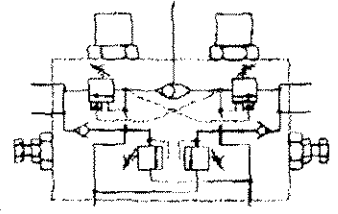
33608 COUNTERBALANCE VALVE



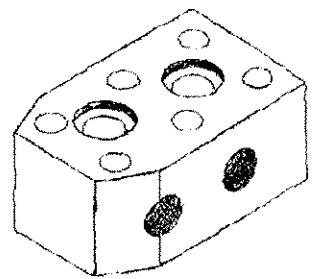
33608 COUNTER-BALANCE
CARTRIDGE (35387 SEAL KIT (NO
OTHER REPLACEABLE PARTS))

37031 SHUTTLE VALVE
CARTRIDGE (135093
SEAL KIT)

PORT FOR BRAKE LINE



GRAPHIC SYMBOL



*198387 ADAPTER BLOCK
(TRAM FREE WHEELING ONLY)

NOT SHOWN: BOLTS FOR MOUNTING MOTION CONTROL VALVES *24930 H.S.H.C.S. OR *130144 H.S.H.C.S. (6 REQ'D), *37780 TOWING PLUG, *20445 ADAPTERS (4 REQ'D), *132509 STRAIGHT THREAD HOLLOW HEX PLUG (1 REQ'D FOR BRAKE PORT), *132514 STRAIGHT THREAD HOLLOW HEX PLUG (1 REQ'D FOR TANK PORT) & *34101 O-RING (2 REQ'D)

NOTE: * INDICATES ITEMS NOT PART OF ASSEMBLY

SHEET NO.	TITLE	DATE	J. H. FLETCHER & CO.
HV-1527	36971 MOTION CONTROL VALVE & SHUTTLE	11-02-92	402 HIGH STREET HUNTINGTON, WV

HEET**TITLE****DATE****J.H. FLETCHER CO.**

IV-603

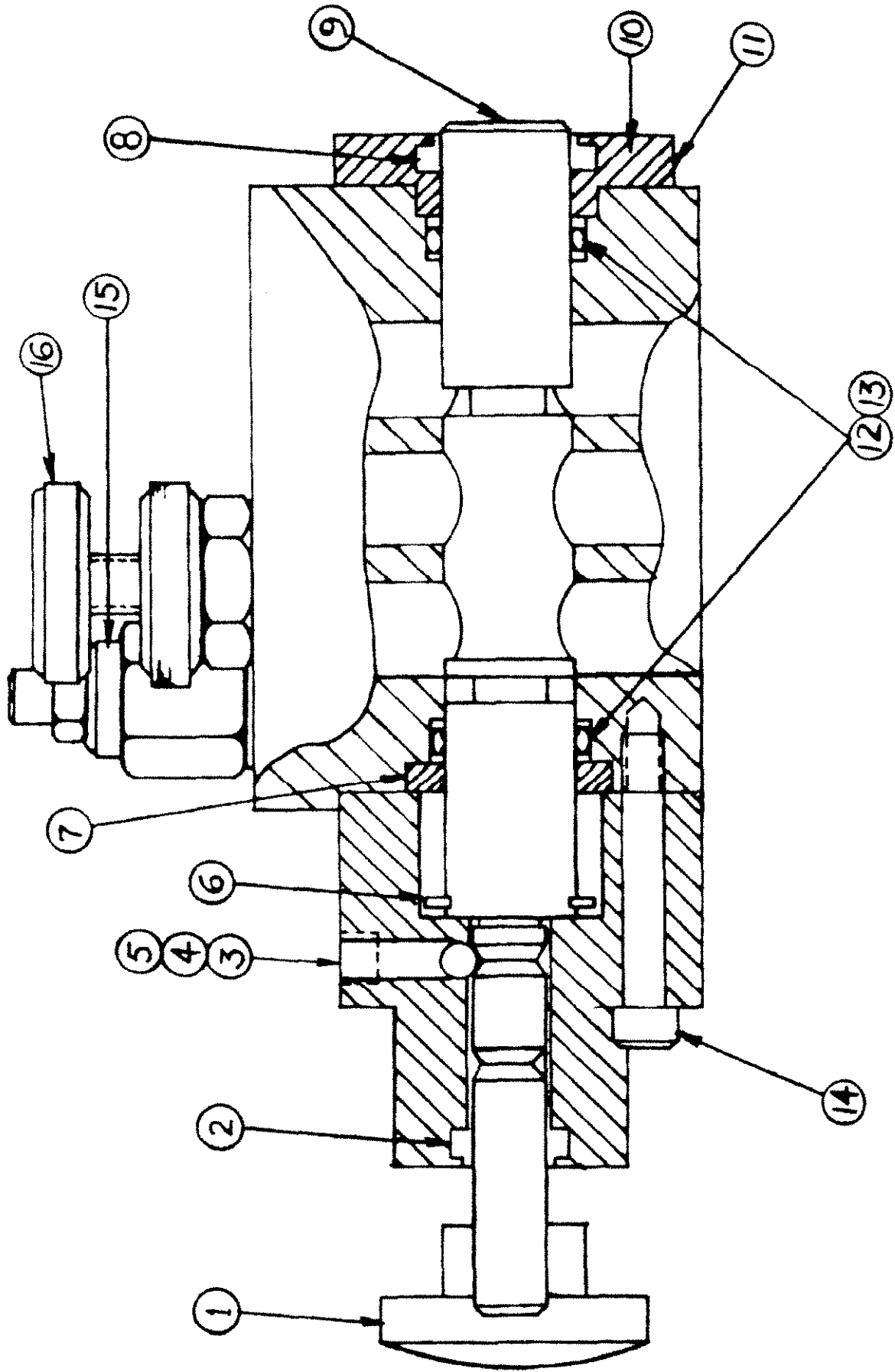
37851 HYDRAULIC POWER TAKE-OFF PACKAGE
(H.P.T.O.)

12/6/77

402 HIGH STREET

HUNTINGTON, W.VA.

<u>ITEM</u>	<u>DESCRIPTION</u>	<u>PART NO.</u>	<u>NO. REQ'D</u>
1	TORQUE KNOB	31663	1
2	WIPER	22396	1
3	BALL	25334	1
4	SPRING	22889	1
5	PIPE PLUG	32762	1
6	SNAP RING	24074	1
7	SEAL RETAINER	25335	1
8	WIPER	22397	1
9	SPOOL	30965	1
10	SOCKET HEAD CAP SCREW	24916	4
11	SEAL PLATE	32046	1
12	O-RING	25181	2
13	BACK-UP	22398	4
14	SOCKET HEAD CAP SCREW	24917	4
15	RELIEF VALVE CARTRIDGE	31664	1
16	FLOW REGULATION ADJUSTMENT ASS'Y	31665	1



SHEET NO.

HV-603

TITLE

57851 HYDRAULIC POWER TAKE-OFF PACKAGE
 (U.D.T.O.)

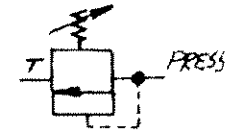
DATE

12/6/77

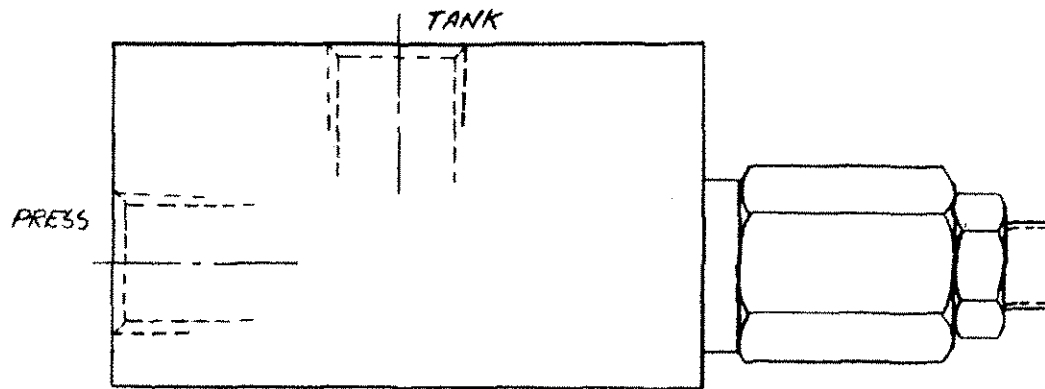
J.H. FLETCHER & CO.

402 HIGH STREET

HUNTINGTON, W.VA.

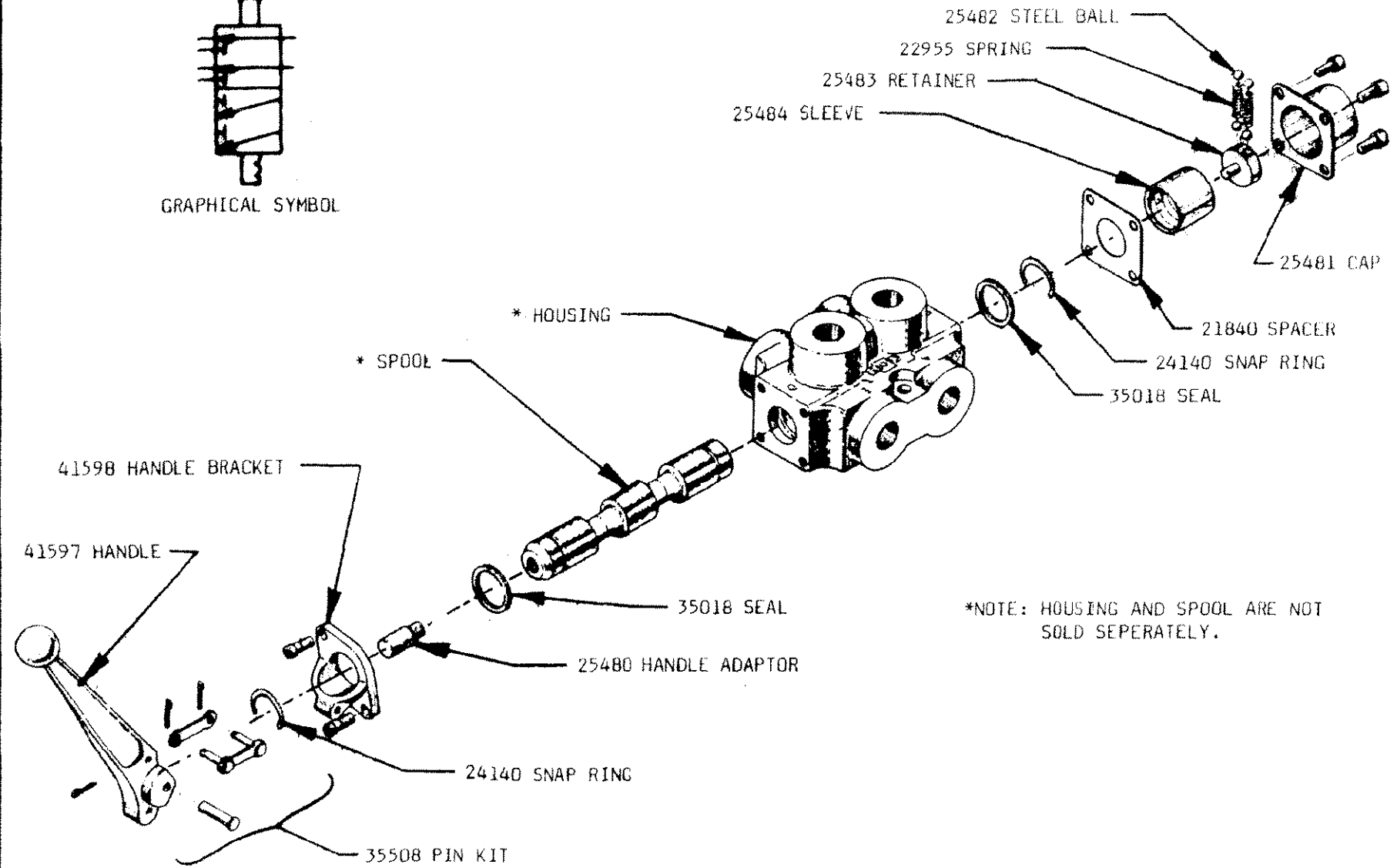
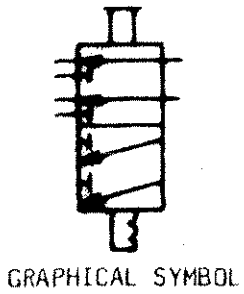


NOTE:
 NO PARTS ARE RECOMMENDED FOR FIELD SERVICE;
 REPLACE COMPLETE VALVE.



2 REQ'D, 1 FOR EACH DRILL CANOPY

SHEET NO.	TITLE	DATE	R	J. H. FLETCHER & CO.
HV-634	31658 RELIEF VALVE	5-25-78		707 WEST 7TH STREET HUNTINGTON, W. VA.



1 REQ'D FOR THE PLMP CONTROL.

SHEET NO.	TITLE	DATE	R	J. W. FLETCHER & CO.
HV-1020	47447 DUAL DIVERSION VALVE ASSEMBLY	10-1-84		707 WEST 7TH STREET HUNTINGTON, W. VA.

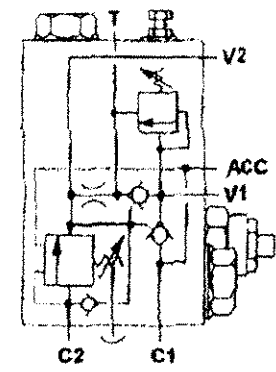
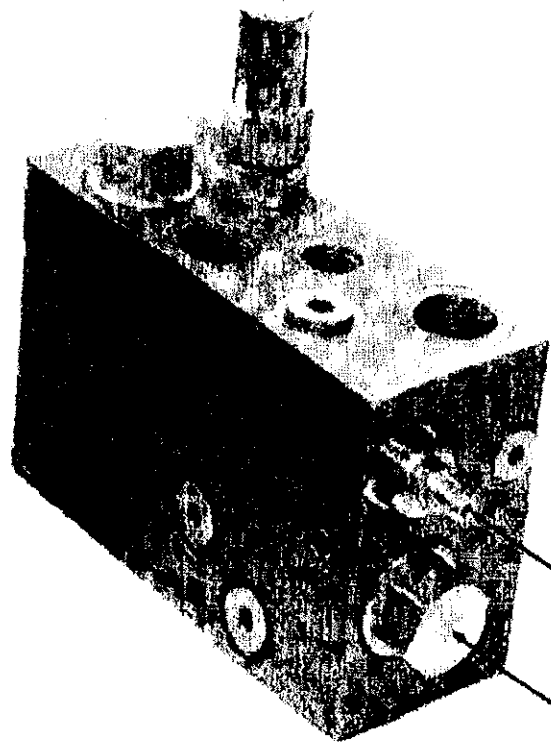


**TABLE
OF
CONTENTS:**

- MISCELLANEOUS
- ELECTRICAL
- PUMP SYSTEM
- TRAM SYSTEM
- DRILLING UNIT
- DUST COLLECTION
- SAFETY COMPONENT
- VALVES
- WATER (OPTIONAL)
- ORDER FORM



38852 COUNTER-BALANCE
VALVE, *35387 SEAL KIT



GRAPHICAL SYMBOL

37819 RELIEF VALVE

33733 CHECK VALVE (2 REQ'D),
*135182 SEAL KIT

1 REQ'D FOR THE ATRS

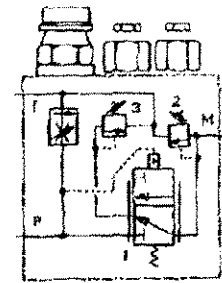
NOTE: * INDICATES ITEMS NOT PART ASSEMBLY

SHEET NO.	TITLE	DATE	J. H. FLETCHER & CO.
HV-2089	33787 ATRS VALVE PACKAGE	4-15-87	402 HIGH STREET HUNTINGTON, WV

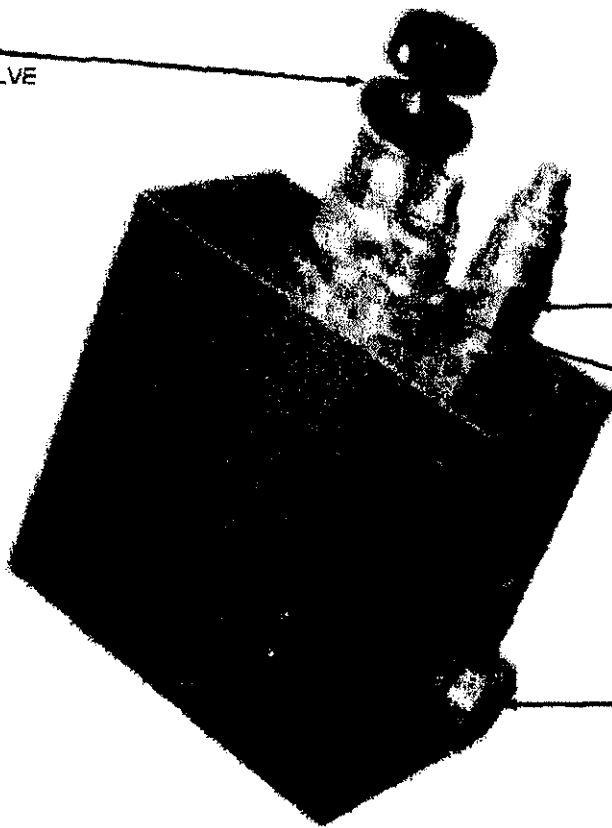


**TABLE
OF
CONTENTS:**

37052 FLOW
CONTROL VALVE



GRAPHICAL SYMBOL

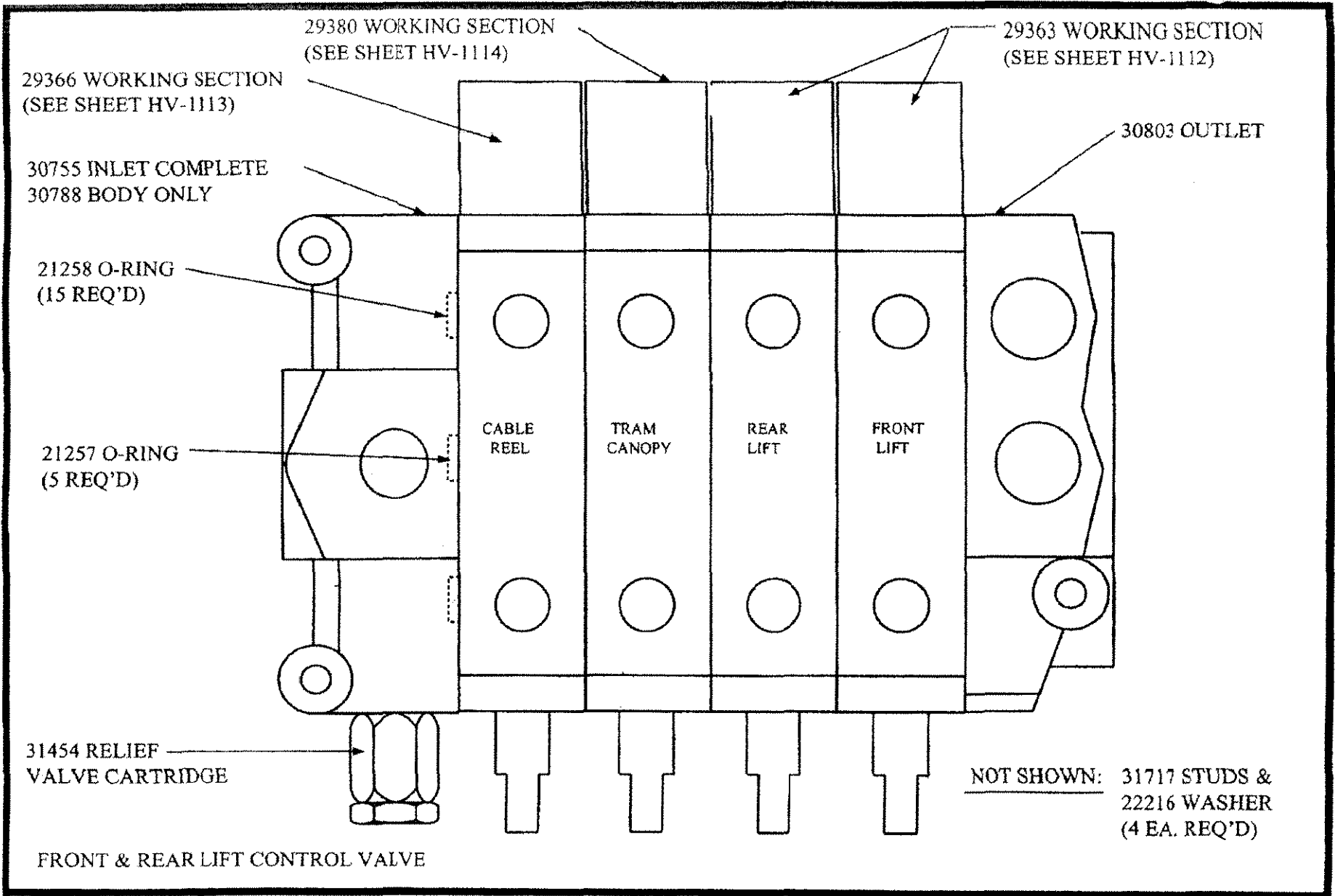


37078 PICK-UP RELIEF

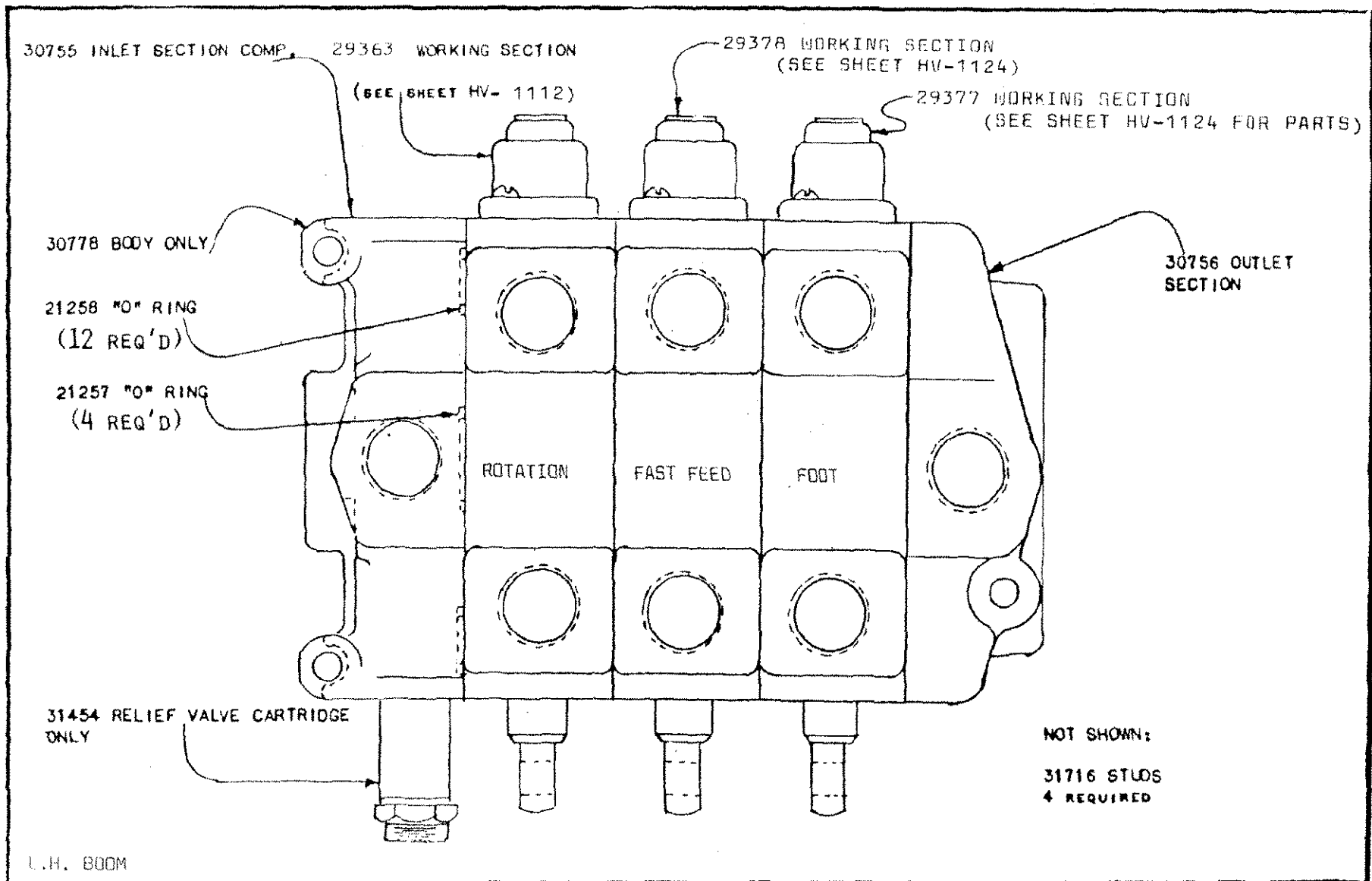
37077 PAY-OUT RELIEF

37988 DIVERSION VALVE

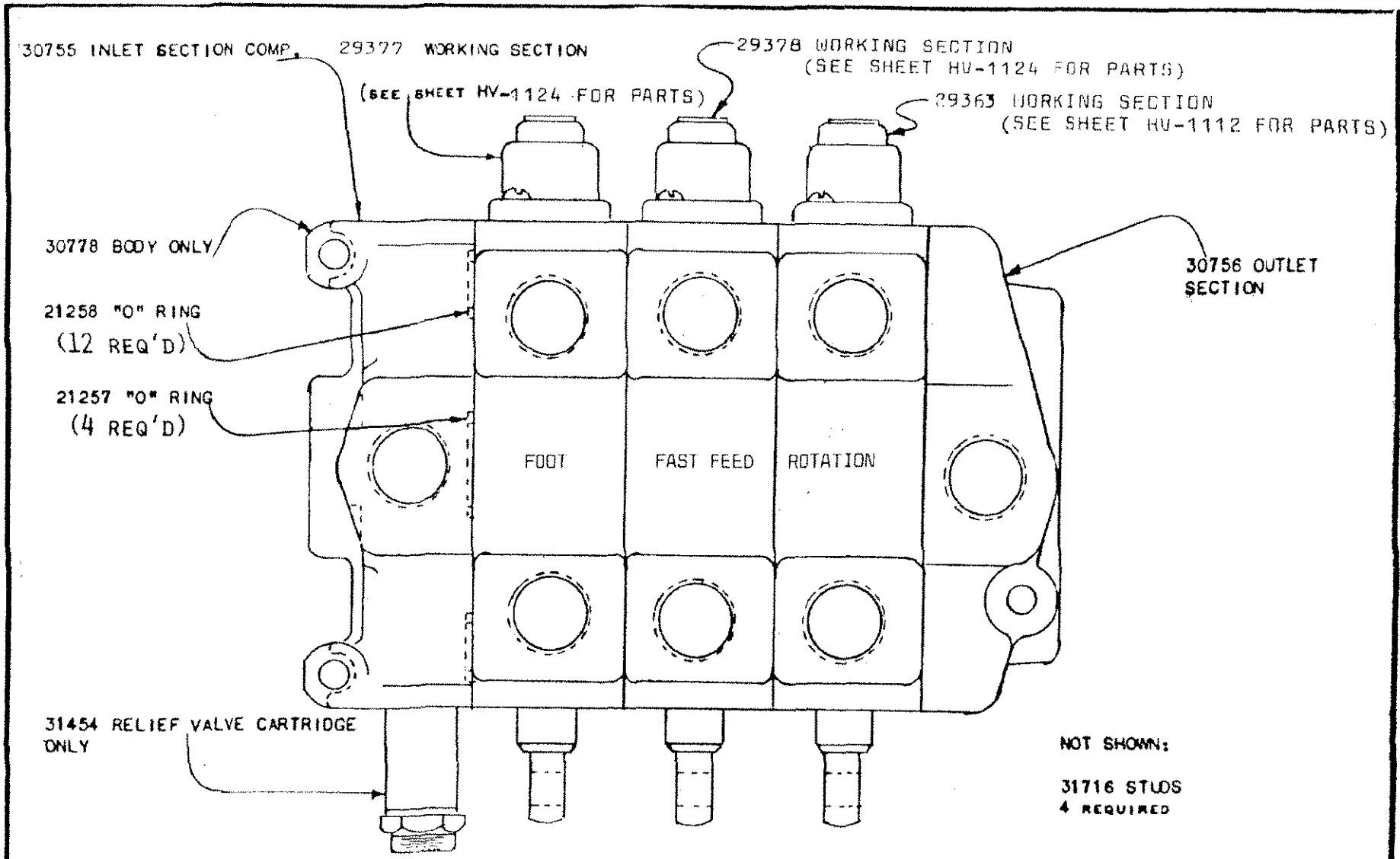
SHEET NO. HV-2082	38145	TITLE CABLE REEL VALVE	DATE 3-20-97	J. H. FLETCHER & CO. 402 HIGH STREET HUNTINGTON, WV
----------------------	-------	---------------------------	-----------------	--



<p>SHEET NO. HV-1125</p>	<p>TITLE 147093 CONTROL VALVE ASSEMBLY</p>	<p>DATE 6-11-97</p>	<p>R</p>	<p>J. H. FLETCHER & CO. 402 HIGH STREET HUNTINGTON, W.VA.</p>
------------------------------	--	-------------------------	----------	---



SHEET NO. HV-1128	TITLE 147075 CONTROL VALVE	DATE 7-16-86	R	J. W. FLETCHER & CO. <small>787 WEST 7TH STREET HUNTINGTON, W. VA.</small>
----------------------	----------------------------------	-----------------	---	--



R.H. BOOM

SHEET NO. HV-1129	TITLE 147076 CONTROL VALVE	DATE 7-16-86	R	J. M. FLETCHER & CO. <small>787 WEST 7TH STREET HUNTINGTON, W. VA.</small>
----------------------	----------------------------------	-----------------	---	--

30755 INLET SECTION COMPLETE

30778 BODY (ONLY)

21258 "O" RING
(15 REQ'D)

21257 "O" RING
(5 REQ'D)

31454 RELIEF VALVE
CARTRIDGE (ONLY)

29363 WORKING SECTION
(SEE SHEET HV-1112
FOR PARTS)

30756 OUTLET
SECTION

CANOPY

EXTEND

SWING

FEED

NOT SHOWN:
31717 STUDS
(4 REQ'D)

L.H. BOOM

SHEET NO.

HV-1130 A

TITLE

CONTROL VALVE

DATE

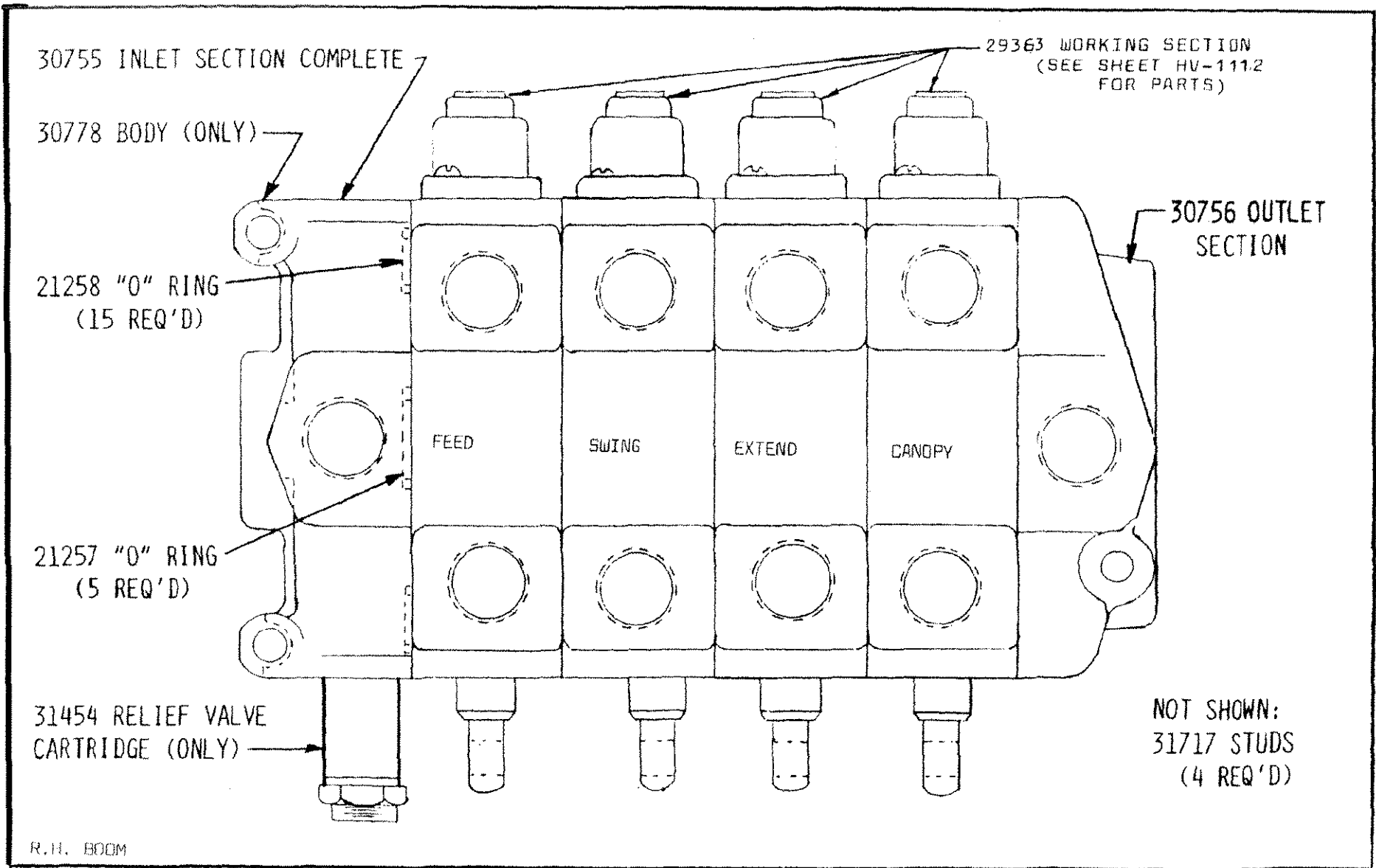
7-16-86

R

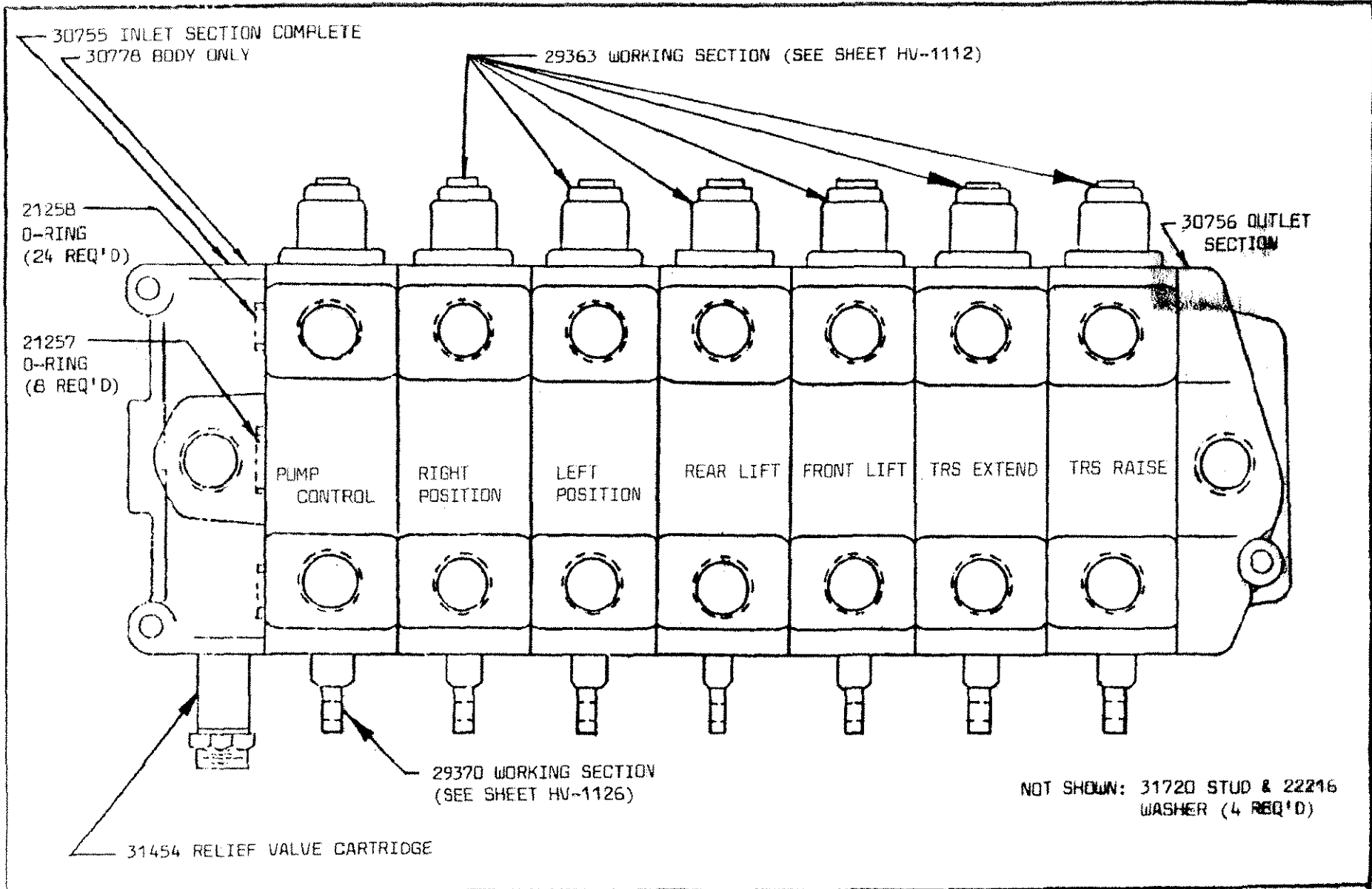
J. H. FLETCHER & CO.

787 WEST 7TH STREET

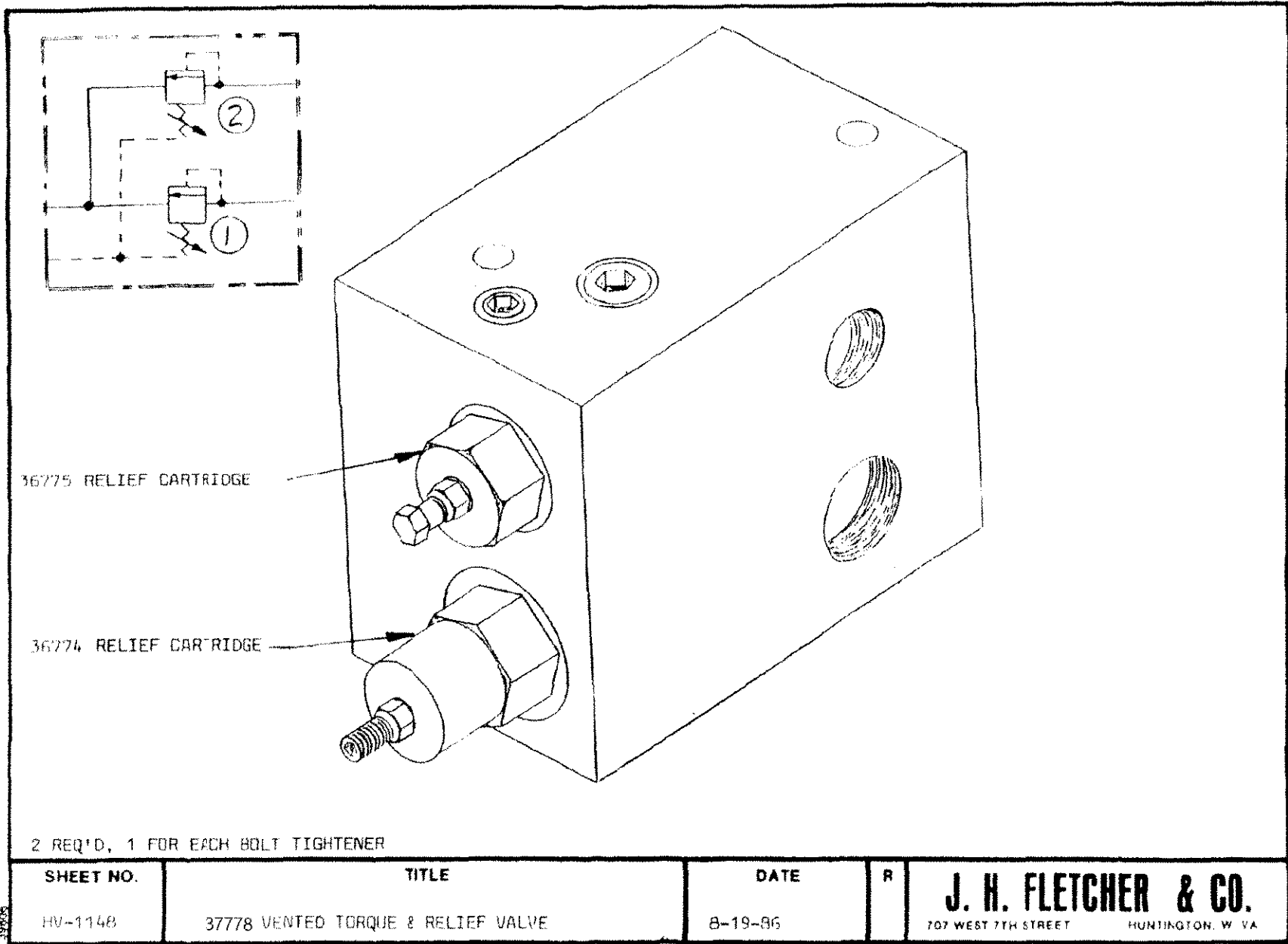
HUNTINGTON, W. VA.



<p>SHEET NO. HV-1130 B</p>	<p>147071</p> <p>TITLE CONTROL VALVE</p>	<p>DATE 7-16-86</p>	<p>R</p> <p>J. H. FLETCHER & CO. 787 WEST 7TH STREET HUNTINGTON, W. VA.</p>
--------------------------------	--	-------------------------	--



SHEET NO.	TITLE	DATE	R	J. W. FLETCHER & CO. 707 WEST 7TH STREET HUNTINGTON, W. VA.
HV-1137	147006 CONTROL VALVE ASSEMBLY	7/21/86		

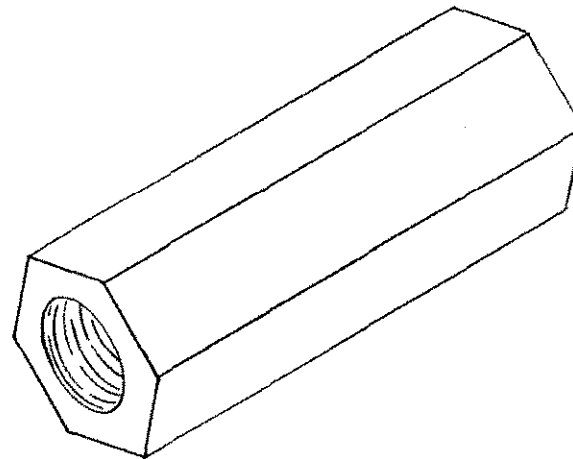


389008

NOTE:
NO PARTS RECOMMENDED FOR FIELD SERVICE.
REPLACE COMPLETE CHECK VALVE ASSEMBLY.

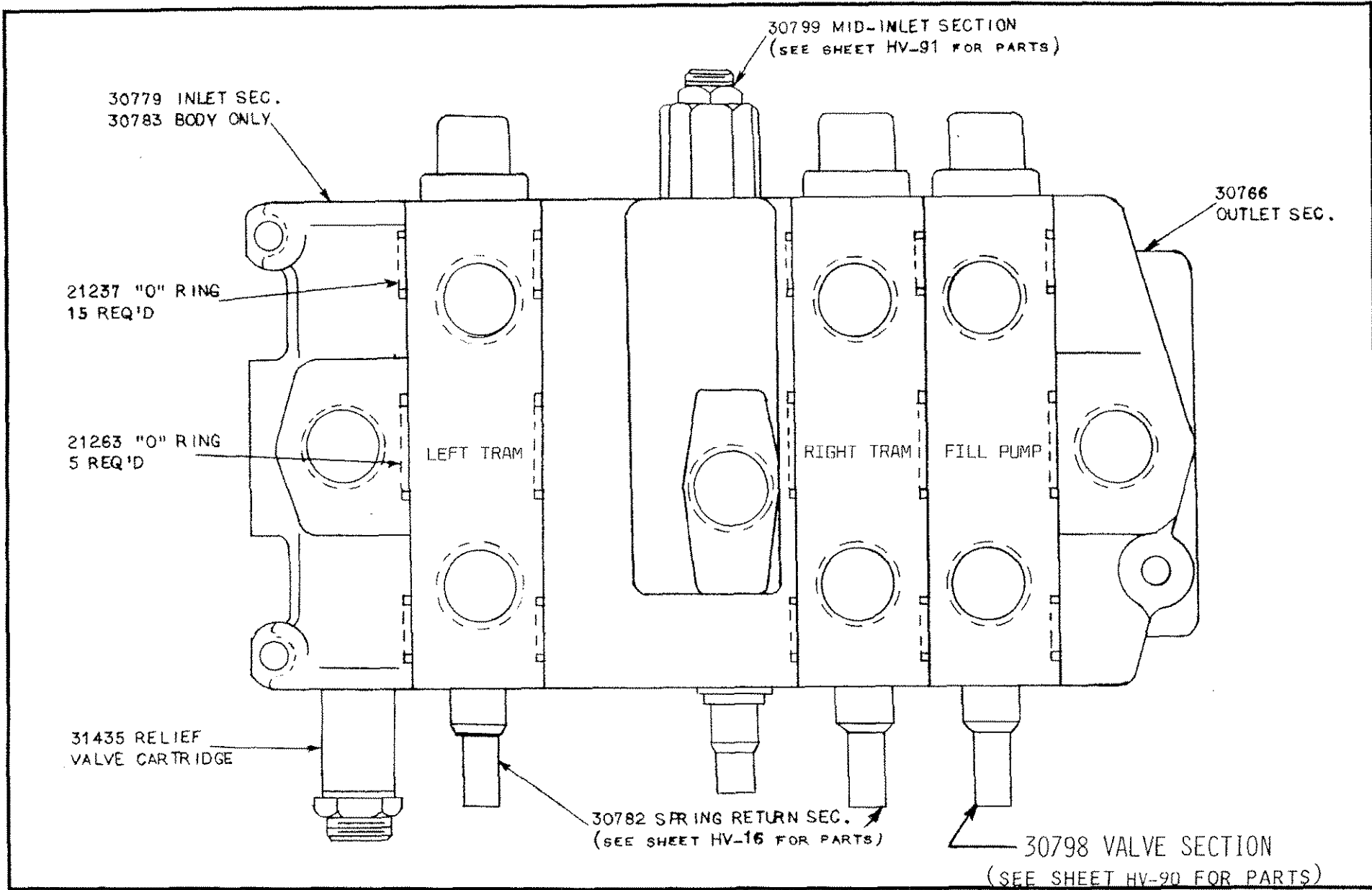


GRAPHICAL SYMBOL



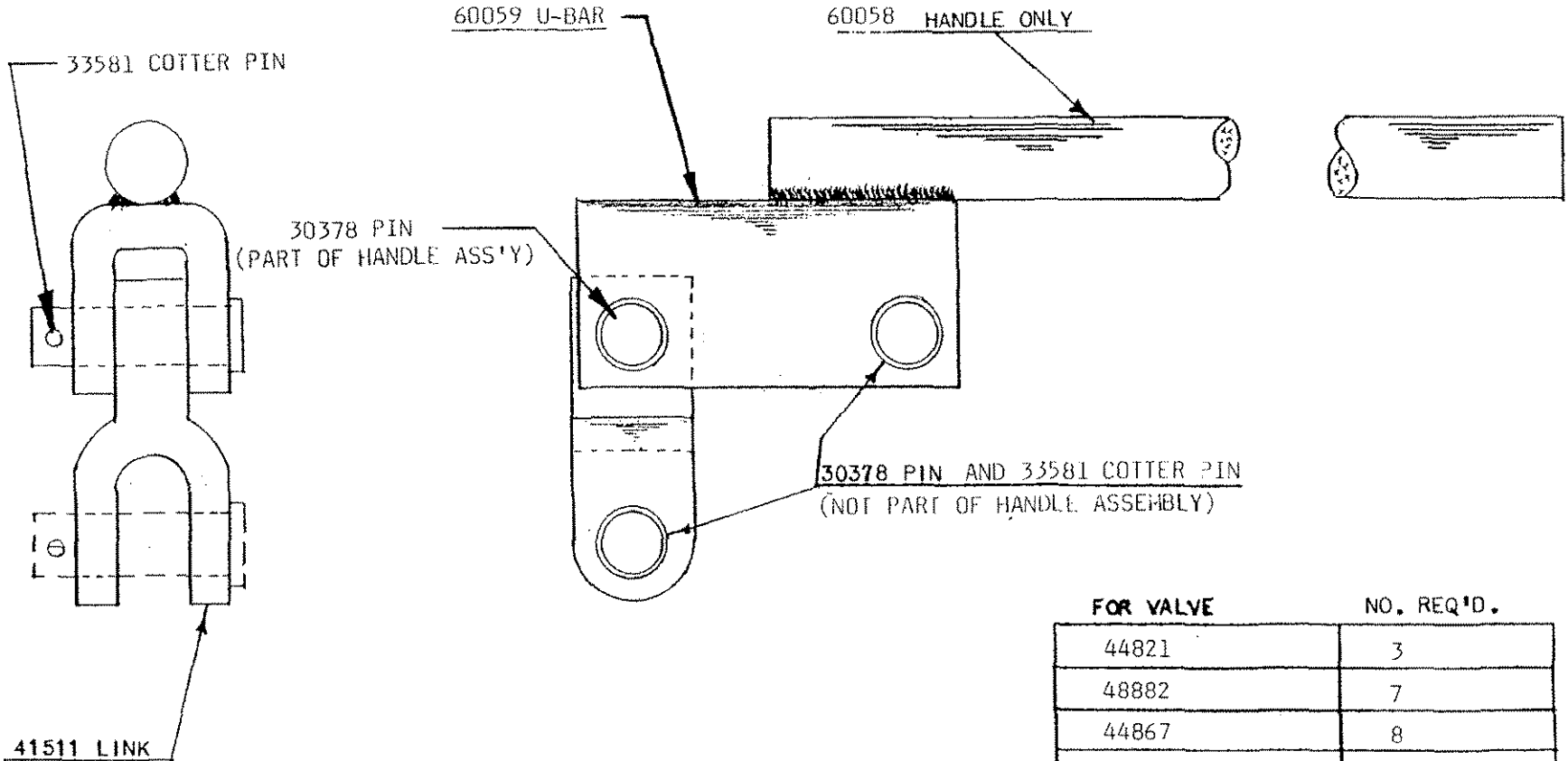
2 REQ'D FOR THE TRAM SYSTEM

SHEET NO.	TITLE	DATE	R	J. H. FLETCHER & CO.
HV-76	2531 CHECK VALVE ASSEMBLY (BI-7)	9/30/82		



<p>SHEET NO. HV-263</p>	<p>TITLE 44167 CONTROL VALVE</p>	<p>DATE 4-11-69</p>	<p>R J. H. FLETCHER & CO. 707 WEST 7TH STREET HUNTINGTON, W. VA.</p>
-----------------------------	--------------------------------------	-------------------------	---

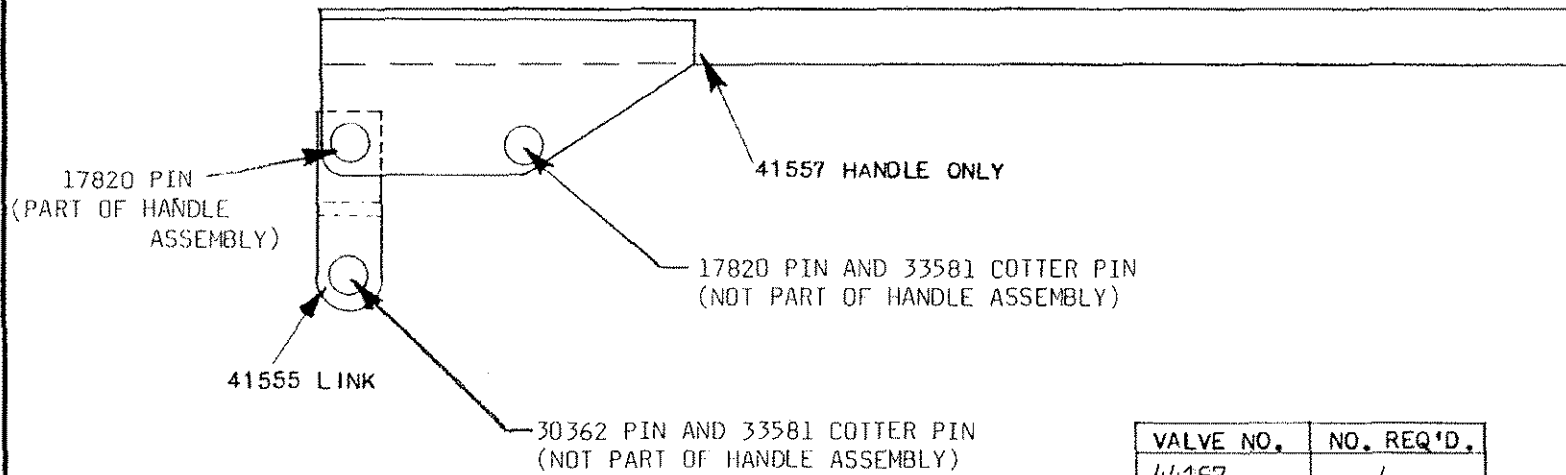
NOT SHOWN: 18478 RUBBER GRIP



FOR VALVE	NO. REQ'D.
44821	3
48882	7
44867	8
44022	6

<p>SHEET NO. HY-40</p>	<p>TITLE 41513 VALVE HANDLE ASSEMBLY</p>	<p>DATE 11-17-64</p>	<p>R J. W. FLETCHER & CO. 707 WEST 7TH STREET HUNTINGTON, W. VA.</p>
----------------------------	--	--------------------------	---

18477 GRIP
NOT SHOWN



VALVE NO.	NO. REQ'D.
44167	4

SHEET NO.

HY-72

TITLE

41556 HANDLE & LINKAGE ASS'Y.

DATE

9-17-70

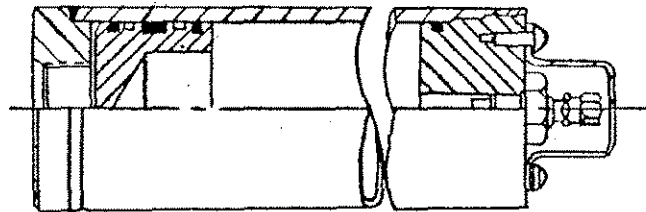
R

J. H. FLETCHER & CO.

707 WEST 7TH STREET

HUNTINGTON, W. VA.

NOTE: NO PARTS RECOMMENDED FOR
FIELD SERVICE. REPLACE
COMPLETE ACCUMULATOR.



NOT SHOWN:
20464 ADAPTOR (1 REQ'D)

1 REQ'D FOR THE TRS

SHEET NO.	TITLE	DATE	R	J. W. FLETCHER & CO.
HY-130	45414 HYDRAULIC ACCUMULATOR	11/30/78		707 WEST 7TH STREET HUNTINGTON, W. VA.

NOTE: NOT SHOWN

95854 VALVE MOUNTING PLATE

48882 CONTROL VALVE ASSEMBLY
(SEE SHEET HV- 828 FOR PARTS)

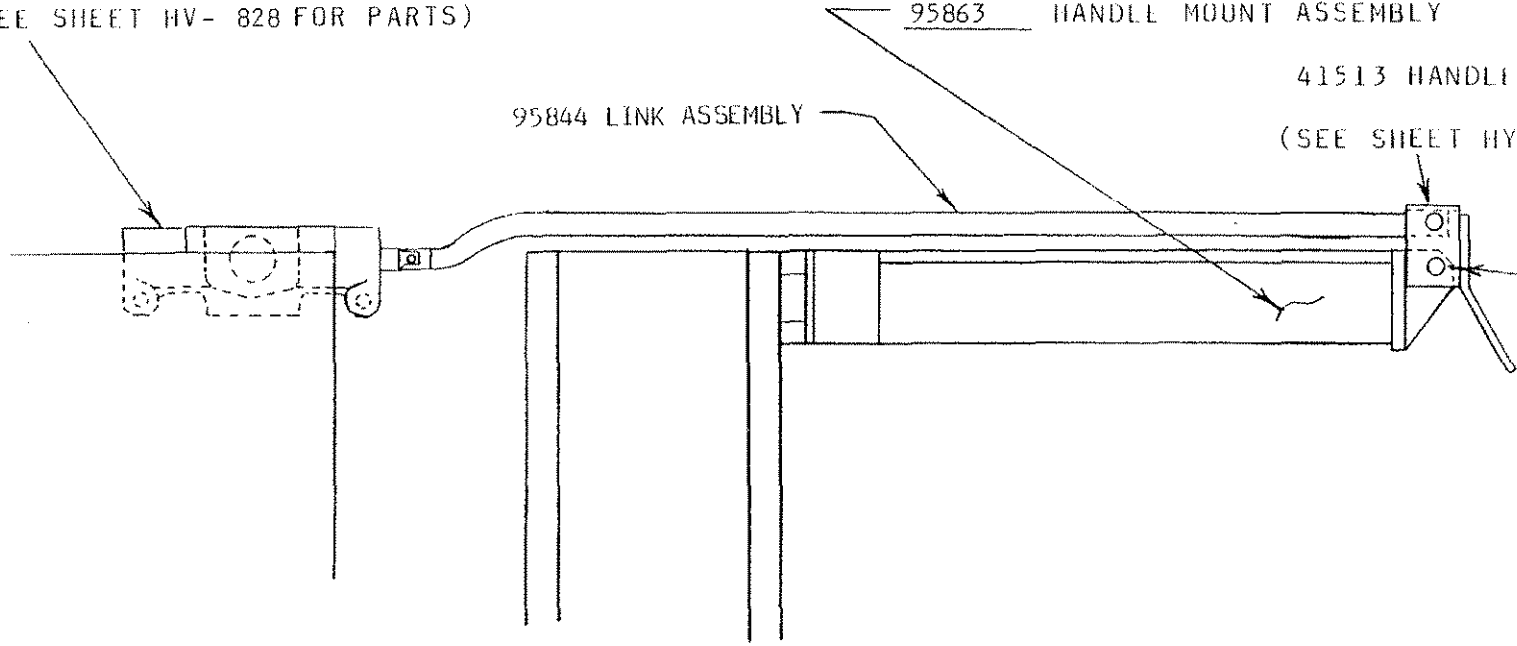
95844 LINK ASSEMBLY

95863 HANDLE MOUNT ASSEMBLY

41513 HANDLE ASSEMBLY

(SEE SHEET HY-40 FOR PARTS)

33387 PIN



SHEET NO.
MY-323

TITLE
POSITION CONTROL STATION

DATE
6/22/78

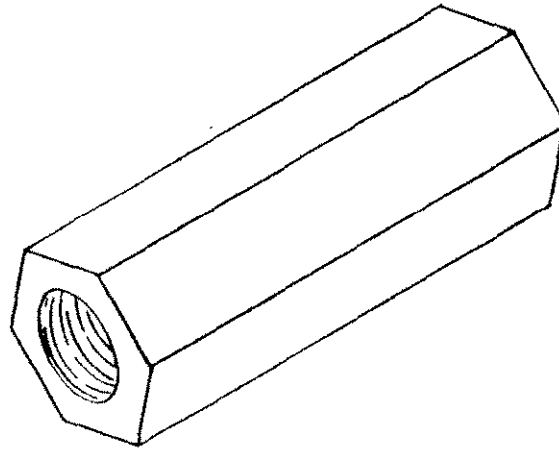
R

J. H. FLETCHER & CO.
707 WEST 7TH STREET HURTINGTON, W. VA.

NOTE:
NO PARTS RECOMMENDED FOR FIELD SERVICE.
REPLACE COMPLETE CHECK VALVE ASSEMBLY.



GRAPHICAL SYMBOL



1 REQ'D FOR THE TRS RAISE CIRCUIT

SHEET NO.	TITLE	DATE	R	J. H. FLETCHER & CO.	
HIV-75	2530 CHECK VALVE ASSEMBLY (BI-6)	9/30/82		707 WEST 7TH STREET	HUNTINGTON, W. VA.