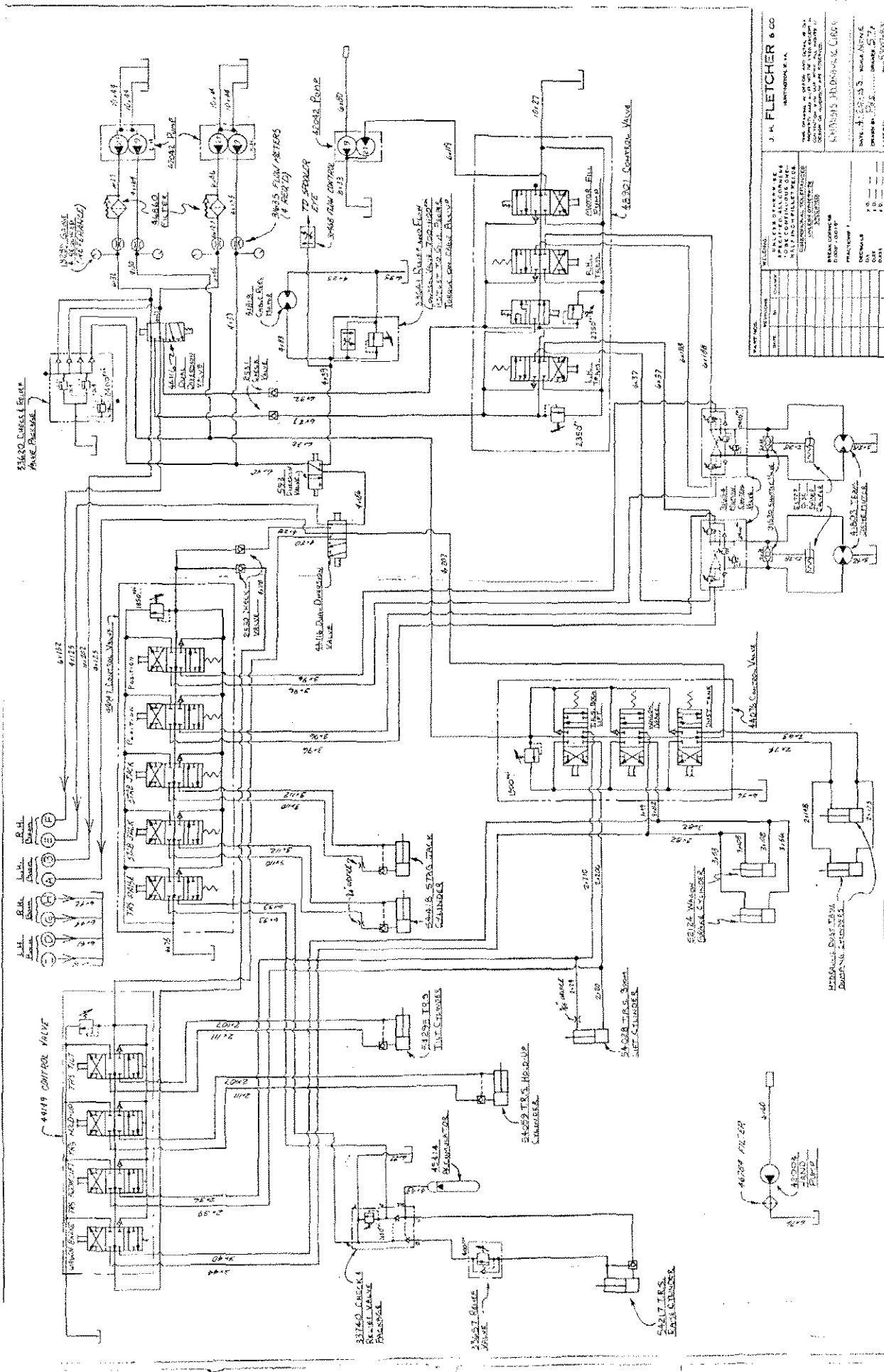


INDEX FOR VALVE SECTION

<u>ITEM</u>	<u>DESCRIPTION</u>	<u>PART NO.</u>	<u>SHEET NO.</u>	<u>NO. REQ'D</u>
1	HYDRAULIC CIRCUITS			
2	DIRECTIONAL CONTROL VALVE	593	HV-5	1
3	RELIEF VALVE ASSEMBLY	618	HV-7	2
4	VALVE SECTION	30782	HV-16	2
5	CHECK VALVE ASSEMBLY	2530	HV-75	2
6	CHECK VALVE ASSEMBLY	2531	HV-76	4
7	VALVE SECTION	30751	HV-83	31
8	VALVE SECTION	30799	HV-91	1
9	CONTROL VALVE ASSEMBLY	44076	HV-155	1
10	FLOW CONTROL VALVE	31468	HV-170	15
11	DUAL DIVERSION VALVE	44116	HV-205	2
12	CONTROL VALVE ASSEMBLY	44131	HV-220A	1
13	CONTROL VALVE ASSEMBLY	44131	HV-220B	1
14	RELIEF VALVE ASSEMBLY	44143	HV-232	2
15	CONTROL VALVE ASSEMBLY	44149	HV-246	1
16	FLOW CONTROL VALVE	31531	HV-268	2
17	SHUTTLE VALVE ASSEMBLY	31530	HV-330	2
18	PILOT CHECK VALVE CARTRIDGE	31577	HV-401	15
19	MOTION CONTROL VALVE	31654	HV-589	2
20	CONTROL VALVE ASSEMBLY	44047	HV-594	1
21	FLOW CONTROL VALVE	33612	HV-793	2

INDEX FOR VALVE SECTION

<u>ITEM</u>	<u>DESCRIPTION</u>	<u>PART NO.</u>	<u>SHEET NO.</u>	<u>NO. REQ'D</u>
22	CHECK & RELIEF VALVE PACKAGE	33620	HV-827	1
23	RELIEF & FLOW CONTROL VALVE	33641	HV-915	1
24	CHECK & RELIEF VALVE ASSEMBLY	33740	HV-955	3
25	VALVE SECTION	29349	HV-970	1
26	CONTROL VALVE ASSEMBLY	48901	HV-971	1
27	CONTROL VALVE ASSEMBLY	47378	HV-972	1
28	CONTROL VALVE ASSEMBLY	47377	HV-973	1
29	VALVE HANDLE ASSEMBLY	41513	HY-40	34
30	HANDLE & LINKAGE ASSEMBLY	41556	HY-72	4
31	HYDRAULIC ACCUMULATOR	18263	HY-120	2
33	HYDRAULIC ACCUMULATOR	45414	HY-130	1
34	COUNTERBALANCE VALVE ASSEMBLY	33657	HV-879	1



J. H. FLETCHER & CO.
 VALVE WORKS
 1000 WEST 10TH AVENUE
 DENVER, COLORADO

DATE: 1-20-33
 DRAWING NO.: 577
 SHEET NO.: 18

REVISIONS:
 NO. 1
 DATE: 1-20-33
 BY: J.H.F.
 CHECKED: J.H.F.

- 1. H. Inlet
- 2. H. Outlet
- 3. H. Drain
- 4. H. Control
- 5. H. Signal
- 6. H. Pressure
- 7. H. Temperature
- 8. H. Flow
- 9. H. Level
- 10. H. Position
- 11. H. Status
- 12. H. Alarm
- 13. H. Interlock
- 14. H. Safety
- 15. H. Emergency
- 16. H. Stop
- 17. H. Start
- 18. H. Reset
- 19. H. Hold
- 20. H. Release

33740 CHECK VALVE
 IN LINE

4819 CONTROL VALVE

33657 CHECK VALVE
 IN LINE

45114 REGULATOR

46209 FLOW CONTROL VALVE

46321 CONTROL VALVE

46326 CONTROL VALVE

46327 CONTROL VALVE

46328 CONTROL VALVE

46329 CONTROL VALVE

46330 CONTROL VALVE

46331 CONTROL VALVE

46332 CONTROL VALVE

46333 CONTROL VALVE

46334 CONTROL VALVE

46335 CONTROL VALVE

46336 CONTROL VALVE

46337 CONTROL VALVE

46338 CONTROL VALVE

46339 CONTROL VALVE

46340 CONTROL VALVE

46341 CONTROL VALVE

46342 CONTROL VALVE

46343 CONTROL VALVE

46344 CONTROL VALVE

46345 CONTROL VALVE

46346 CONTROL VALVE

46347 CONTROL VALVE

46348 CONTROL VALVE

46349 CONTROL VALVE

46350 CONTROL VALVE

46351 CONTROL VALVE

46352 CONTROL VALVE

46353 CONTROL VALVE

46354 CONTROL VALVE

46355 CONTROL VALVE

46356 CONTROL VALVE

46357 CONTROL VALVE

46358 CONTROL VALVE

46359 CONTROL VALVE

46360 CONTROL VALVE

46361 CONTROL VALVE

46362 CONTROL VALVE

46363 CONTROL VALVE

46364 CONTROL VALVE

46365 CONTROL VALVE

46366 CONTROL VALVE

46367 CONTROL VALVE

46368 CONTROL VALVE

46369 CONTROL VALVE

46370 CONTROL VALVE

46371 CONTROL VALVE

46372 CONTROL VALVE

46373 CONTROL VALVE

46374 CONTROL VALVE

46375 CONTROL VALVE

46376 CONTROL VALVE

46377 CONTROL VALVE

46378 CONTROL VALVE

46379 CONTROL VALVE

46380 CONTROL VALVE

46381 CONTROL VALVE

46382 CONTROL VALVE

46383 CONTROL VALVE

46384 CONTROL VALVE

46385 CONTROL VALVE

46386 CONTROL VALVE

46387 CONTROL VALVE

46388 CONTROL VALVE

46389 CONTROL VALVE

46390 CONTROL VALVE

46391 CONTROL VALVE

46392 CONTROL VALVE

46393 CONTROL VALVE

46394 CONTROL VALVE

46395 CONTROL VALVE

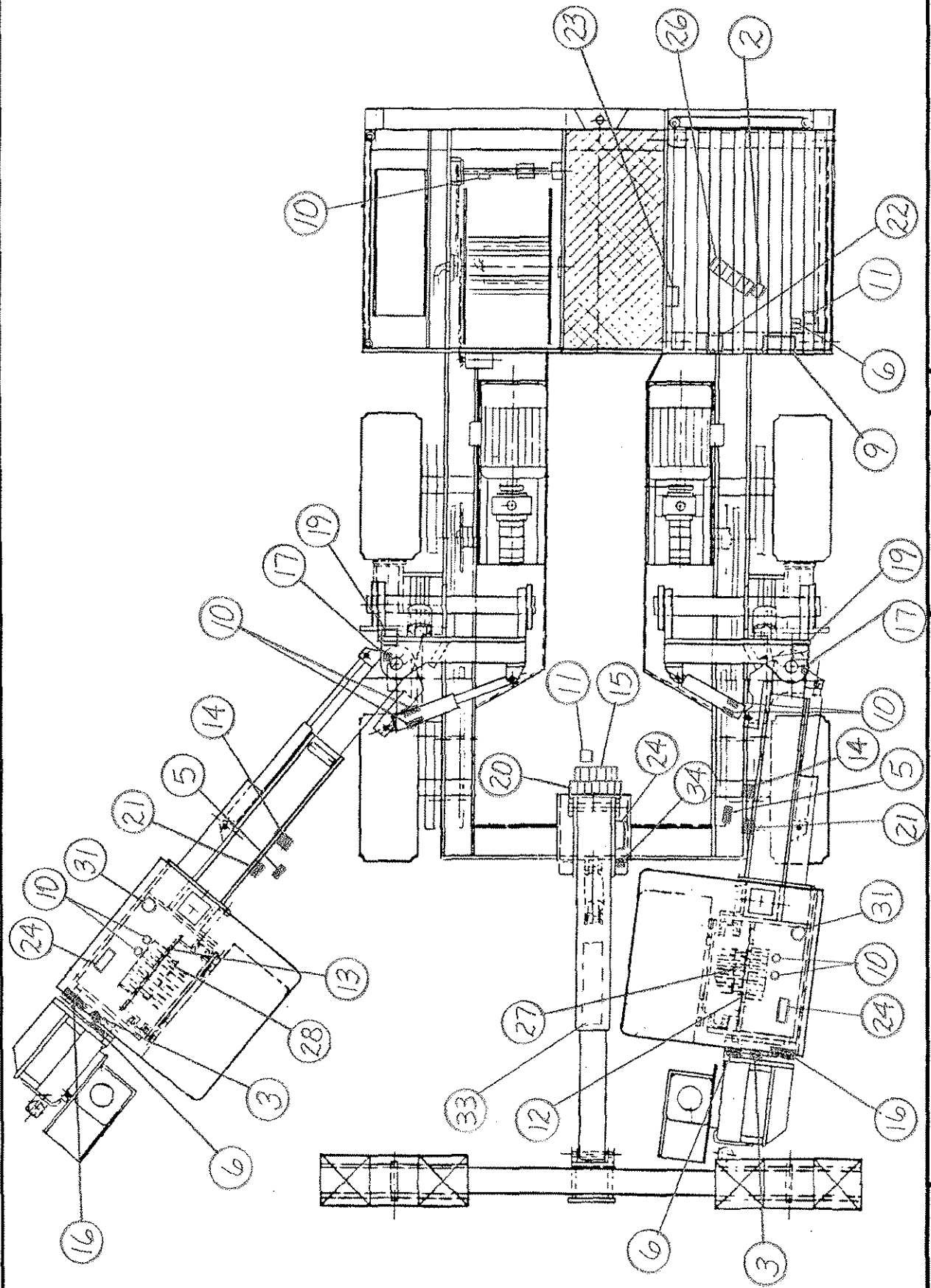
46396 CONTROL VALVE

46397 CONTROL VALVE

46398 CONTROL VALVE

46399 CONTROL VALVE

46400 CONTROL VALVE



SHEET NO.

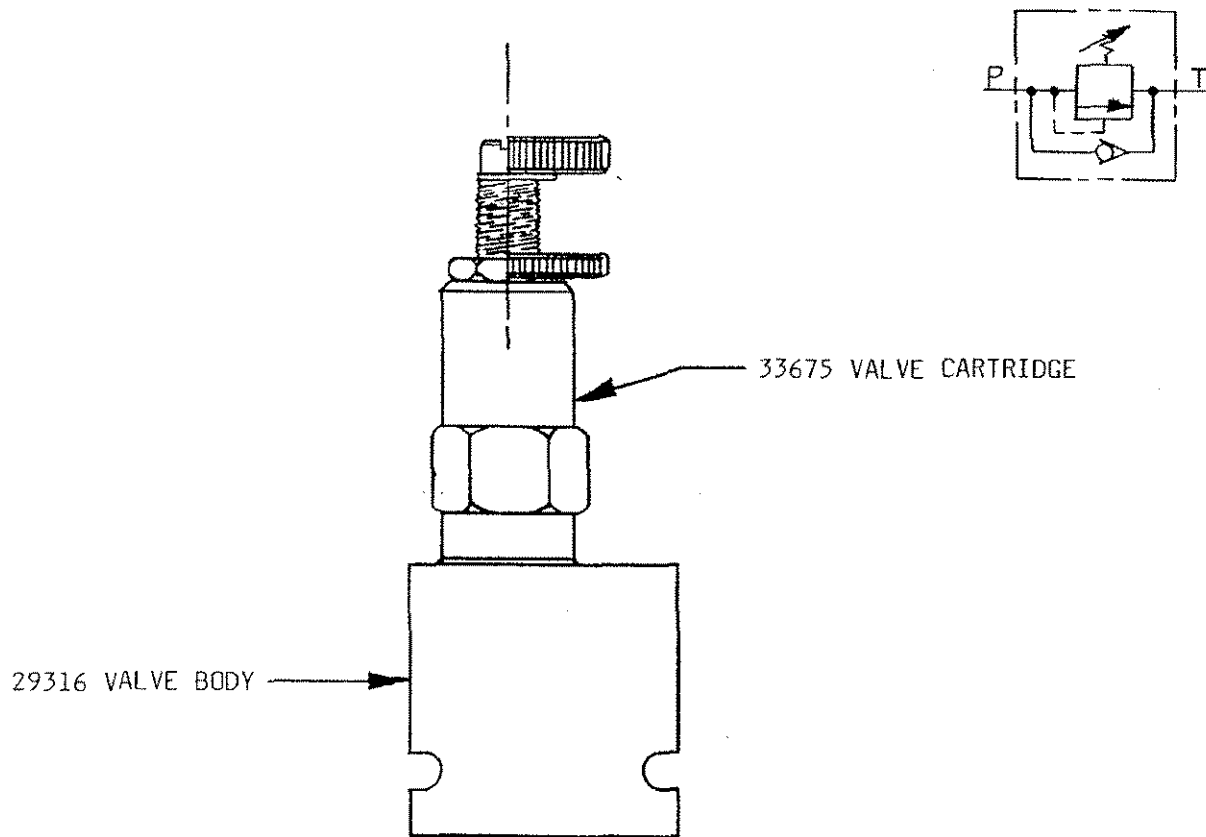
TITLE

HYDRAULIC VALVE LOCATIONS

DATE

R

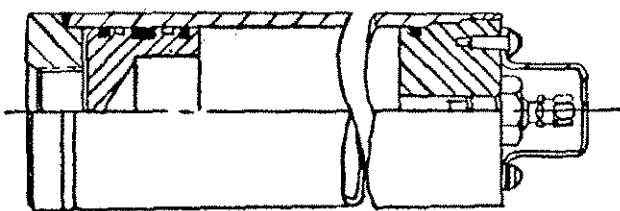
J. W. FLETCHER & CO.
 707 WEST 7TH STREET
 HUNTINGTON, W. VA.



1 REQ'D FOR TRS RAISE

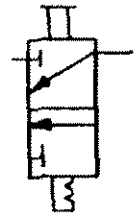
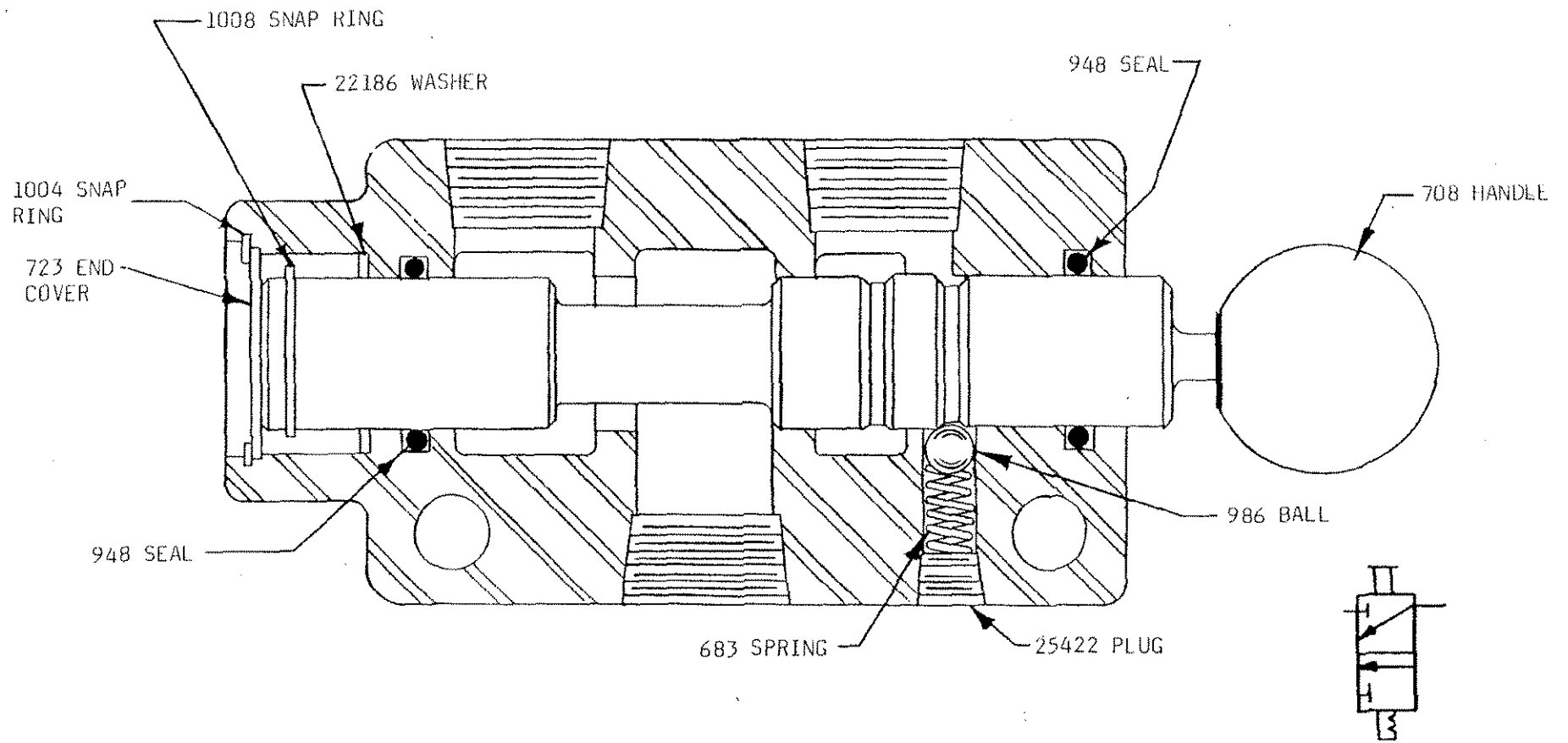
<p>SHEET NO. HV-879</p>	<p>TITLE 33657 COUNTERBALANCE VALVE</p>	<p>DATE 2/19/81</p>	<p>R</p>	<p>J. H. FLETCHER & CO. 707 WEST 7TH STREET HUNTINGTON, W. VA.</p>
------------------------------------	--	--------------------------------	-----------------	---

NOTE: NO PARTS RECOMMENDED FOR
FIELD SERVICE. REPLACE
COMPLETE ACCUMULATOR.



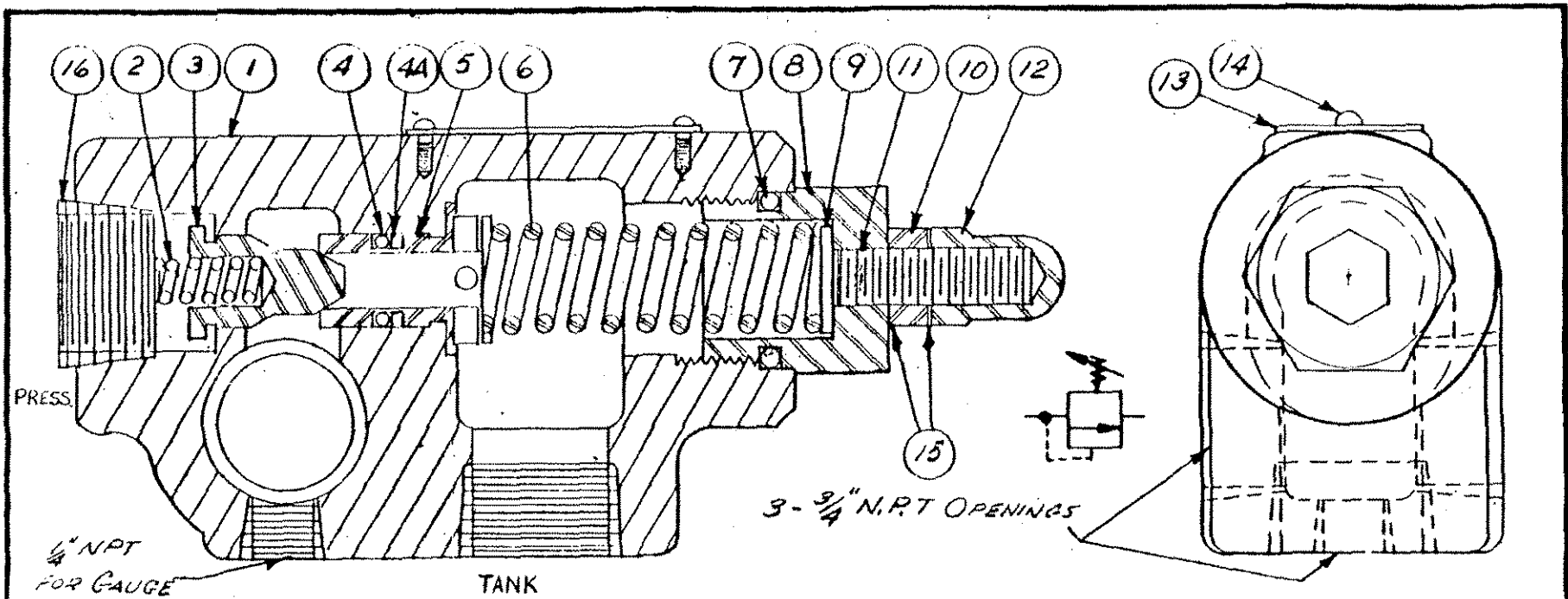
NOT SHOWN:
20464 ADAPTOR (1 REQ'D)

SHEET NO. HY-130	TITLE 45414 HYDRAULIC ACCUMULATOR	DATE 11/30/78	R	J. H. FLETCHER & CO. 707 WEST 7TH STREET HUNTINGTON, W. VA.
---------------------	--------------------------------------	------------------	---	---



1 REQ'D FOR CABLE REEL

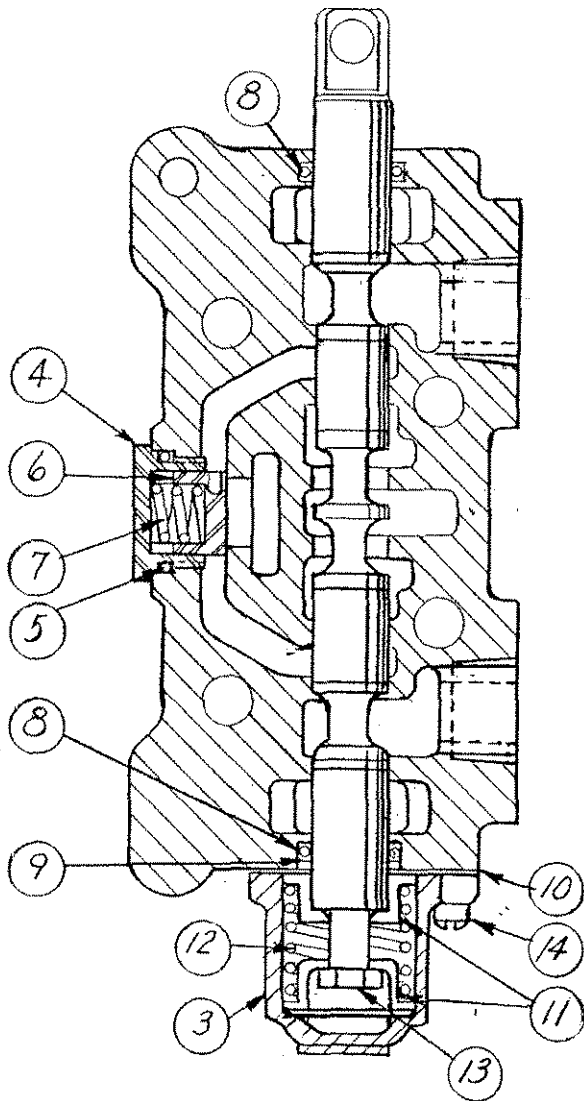
SHEET NO.	TITLE	DATE	R	J. H. FLETCHER & CO. 707 WEST 7TH STREET HUNTINGTON, W. VA.
IIV-5	593 DIRECTIONAL CONTROL VALVE	7/22/82		



Item	Part No.	Name	No. Req'd.	Item	Part No.	Name	No. Req'd.
1	30801	Housing	1	8	F1021-1-AM	Cap	1
2	683	Spring	1	9	826	Washer	1
3	G1530-AM	Poppet	1	10	981	Jam Nut	1
4	914	"O" Ring	1	11	973	Adjusting Screw	1
4A	E3010-9-AM	Back Up Ring	1	12	1000	Cap Nut	1
5	858	Seat	1	13	A2078-27-AM	Name Plate	1
6	A1327-55-AM	Spring	1	14	X41-4-AM	Screws	2
7	915	"O" Ring	1	15	19418	Copper Washer	2
				16.	X-1-18-AM	PLUG	1

2 REQ'D FOR BOLT TIGHTENER

SHEET NO. HV-7	TITLE 618 RELIEF VALVE	DATE 11/6/62	R 2	J. M. FLETCHER & CO. <small>767 WEST 7TH STREET HUNTINGTON, W. VA.</small>
-------------------	---------------------------	-----------------	--------	--



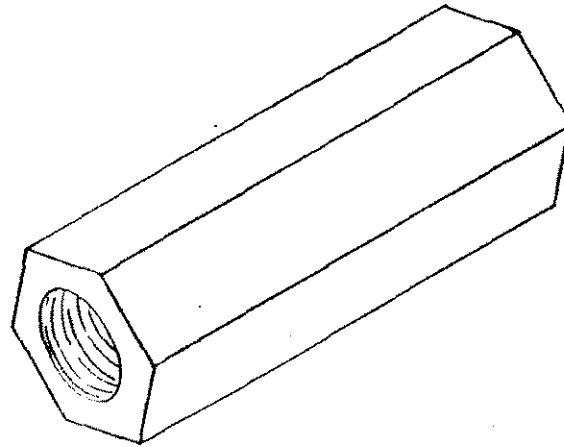
ITEM	PART No.	DESCRIPTION	No. Req'd.
3.	23053	VALVE CAP	1
4.	23063	CHECK VALVE CAP	1
5.	25152	"O" RING	1
6.	23062	CHECK VALVE POPPET	1
7.	22753	SPRING	1
8.	21256	"O" RING	2
9.	21273	BACK UP RING	1
10.	23061	RETAINING PLATE	1
11.	23022	SPRING GUIDE	2
12.	22759	SPRING	1
13.	20042	HX. HD. STRIPPER BOLT	1
14.	20043	FILLISTER HD. SCREW	2
15. *	21257	"O" RING	3
16. *	21263	"O" RING	1

* NOT SHOWN, SEE ASSEMBLY FOR LOCATION

NOTE:
NO PARTS RECOMMENDED FOR FIELD SERVICE.
REPLACE COMPLETE CHECK VALVE ASSEMBLY.



GRAPHICAL SYMBOL



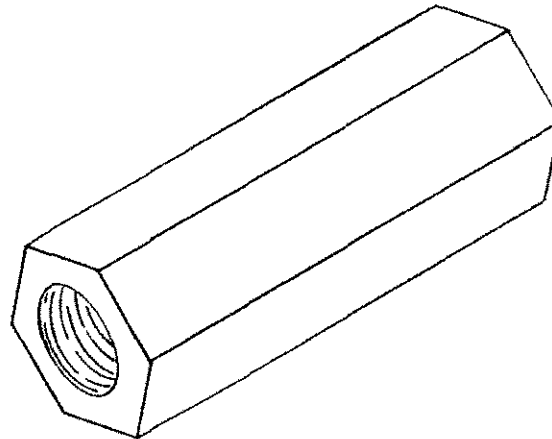
2 REQ'D FOR DRILL FEED

SHEET NO.	TITLE	DATE	R	J. W. FLETCHER & CO. 707 WEST 7TH STREET HUNTINGTON, W. VA.
HV-75	2530 CHECK VALVE ASSEMBLY (BI-6)	9/30/82		

NOTE:
NO PARTS RECOMMENDED FOR FIELD SERVICE.
REPLACE COMPLETE CHECK VALVE ASSEMBLY.

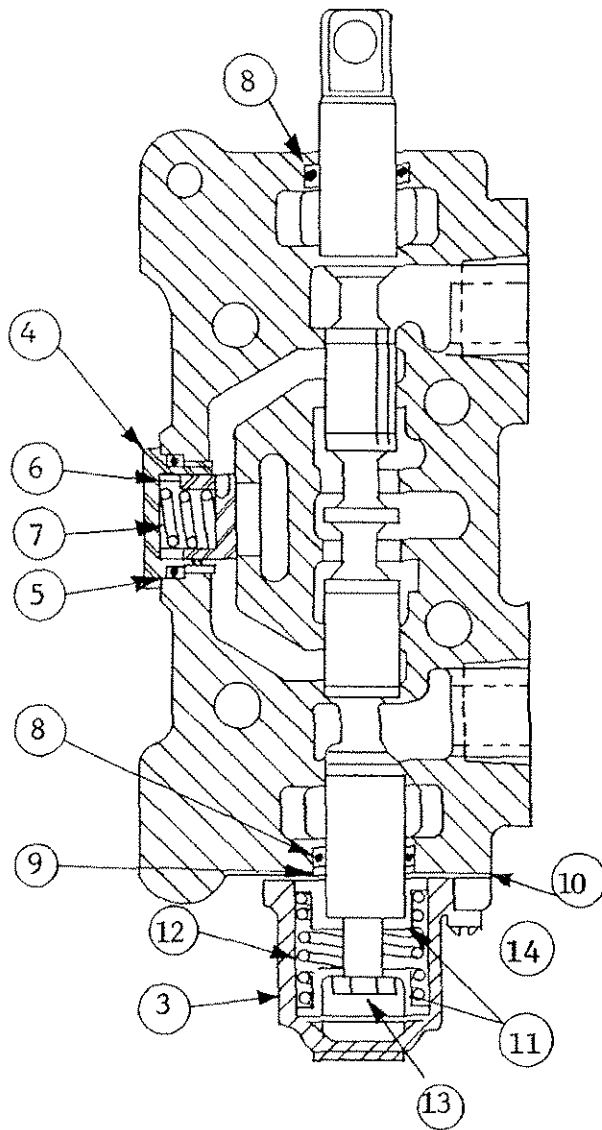


GRAPHICAL SYMBOL



4 REQ'D
2 REQ'D FOR BOLT TIGHTENER
2 REQ'D FOR TRAM SYSTEM

SHEET NO.	TITLE	DATE	R	J. W. FLETCHER & CO.	
HV-76	2531 CHECK VALVE ASSEMBLY (BI-7)	9/30/82		707 WEST 7TH STREET	HUNTINGTON, W. VA.



<u>Item</u>	<u>Part No.</u>	<u>Description</u>	<u>No. Req'd</u>
3.	31002	Valve Cap	1
4.	31003	Check Valve Cap	1
5.	21254	"O" Ring	1
6.	23001	Check Poppet	1
7.	22752	Spring	1
8.	21255	"O" Ring	2
9.	22002	Back Up Ring	1
10.	23002	Retaining Plate	1
11.	23003	Spring Guide	2
12.	22946	Spring	1
13.	20003	Hx Hd Stripper Bolt	1
14.	20004	Fillister Hd Screw	2

Items not shown on drawing are used in the assembly of the control valve

21258	"O" Ring	3
21257	"O" Ring	1

SHEET NO.

HV-83

TITLE

30751 SPRING RETURN SECTION

DATE

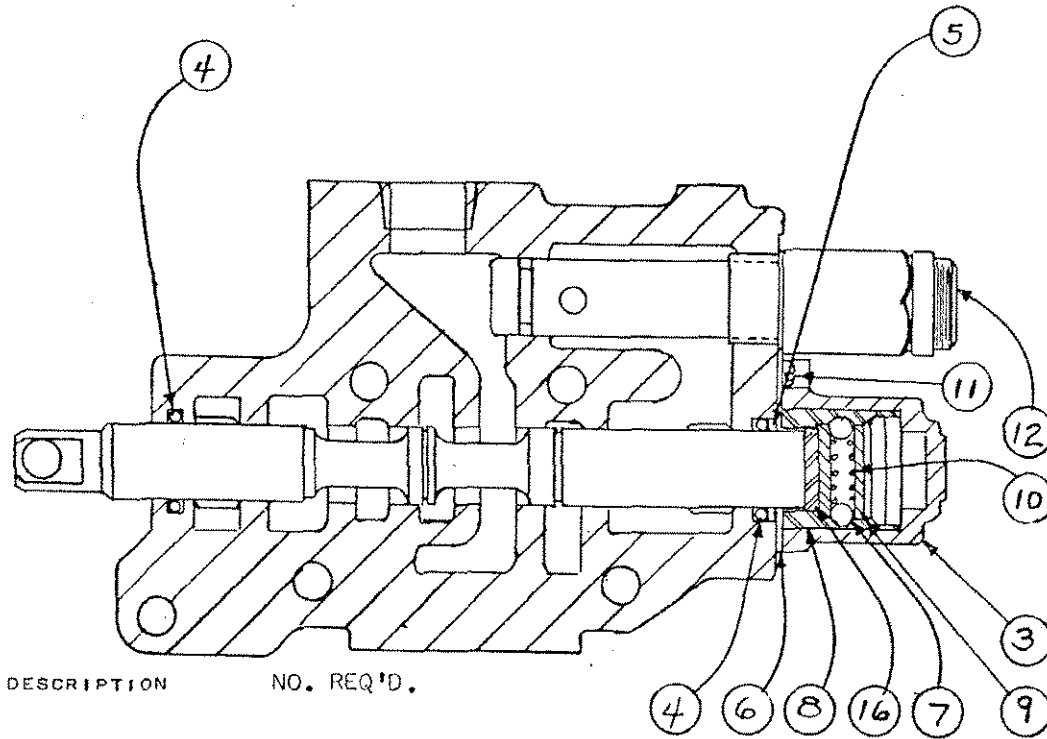
5/15/63

R

J. H. FLETCHER & CO.

707 WEST 7TH STREET

HUNTINGTON, W. VA.



ITEM	PART NO.	DESCRIPTION	NO. REQ'D.
------	----------	-------------	------------

3.	23053	VALVE CAP	1
4.	21262	"O" RING	2
5.	21285	BACK UP RING	1
6.	23021	RETAINING PLATE	1
7.	45477	STEEL BALL	2
8.	23093	POPPET SLEEVE	1
9.	23088	POPPET RETAINER	1
10.	22945	SPRING	1
11.	20043	FILLISTER HD. SCREW	2
12.	31647	RELIEF VALVE ASSY.	1
16.	22043	WASHER	1

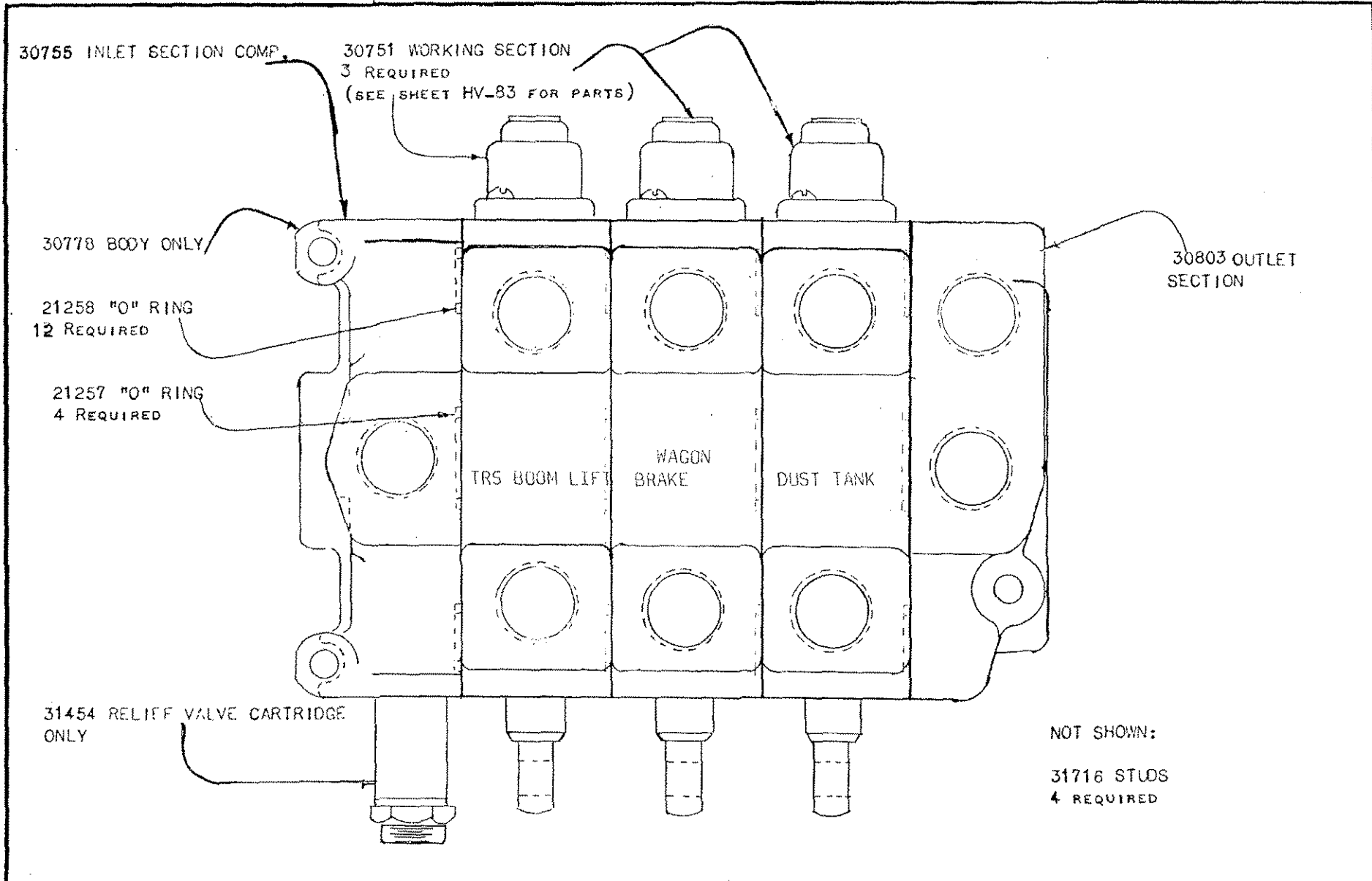
SHEET NO.
HV-91

TITLE
30799 MID-SECTION SELECTOR VALVE

DATE
9-4-64

R

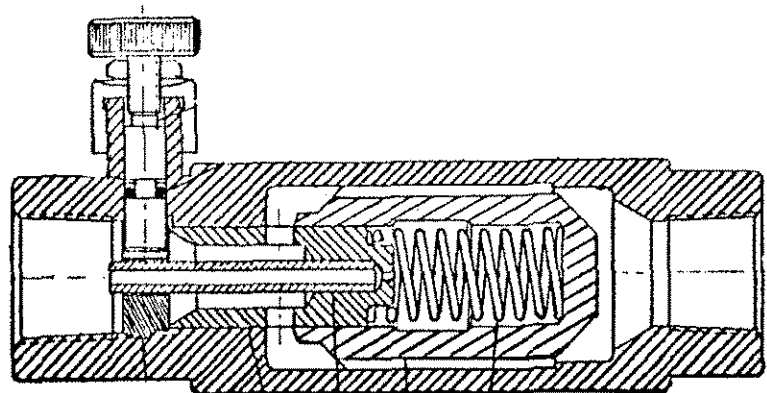
J. M. FLETCHER & CO.
707 WEST 7TH STREET
HUNTINGTON, W. VA.



<p>SHEET NO. HV-158</p>	<p>TITLE 44076 CONTROL VALVE</p>	<p>DATE 5-25-65</p>	<p>R</p>	<p>J. W. FLETCHER & CO. 707 WEST 7TH STREET HUNTINGTON, W. VA.</p>
-----------------------------	--------------------------------------	-------------------------	----------	---



COMP. FLOW

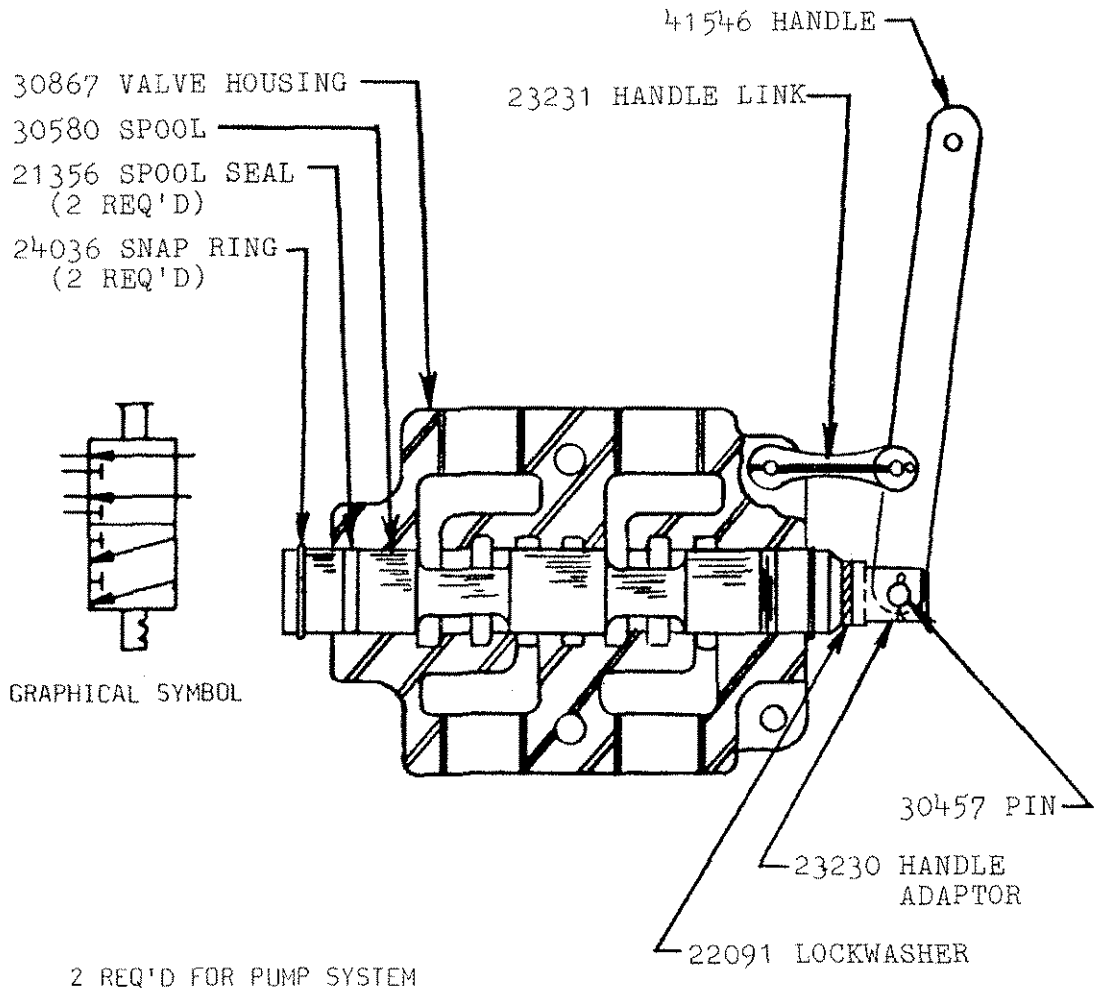


NOTE: NO PARTS ARE RECOMMENDED FOR FIELD SERVICE.
REPLACE COMPLETE VALVE.

15 REQ'D

- 4 REQ'D FOR MAST TILT
- 4 REQ'D FOR BOOM SWING
- 1 REQ'D FOR SPOOLER OILER
- 4 REQ'D FOR PLATFORM LIFT
- 2 REQ'D FOR DRILL GUIDE

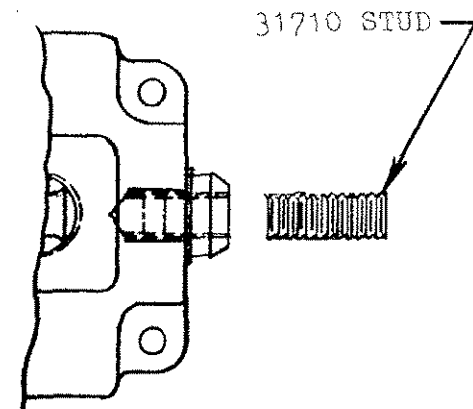
SHEET NO.	TITLE	DATE	R	J. H. FLETCHER & CO.	
HV-170	31468 ADJUSTABLE FLOW CONTROL VALVE	10/18/65		707 WEST 7TH STREET	HUNTINGTON, W. VA.



ALTERNATE ARRANGEMENT

44127 DUAL DIVERSION VALVE

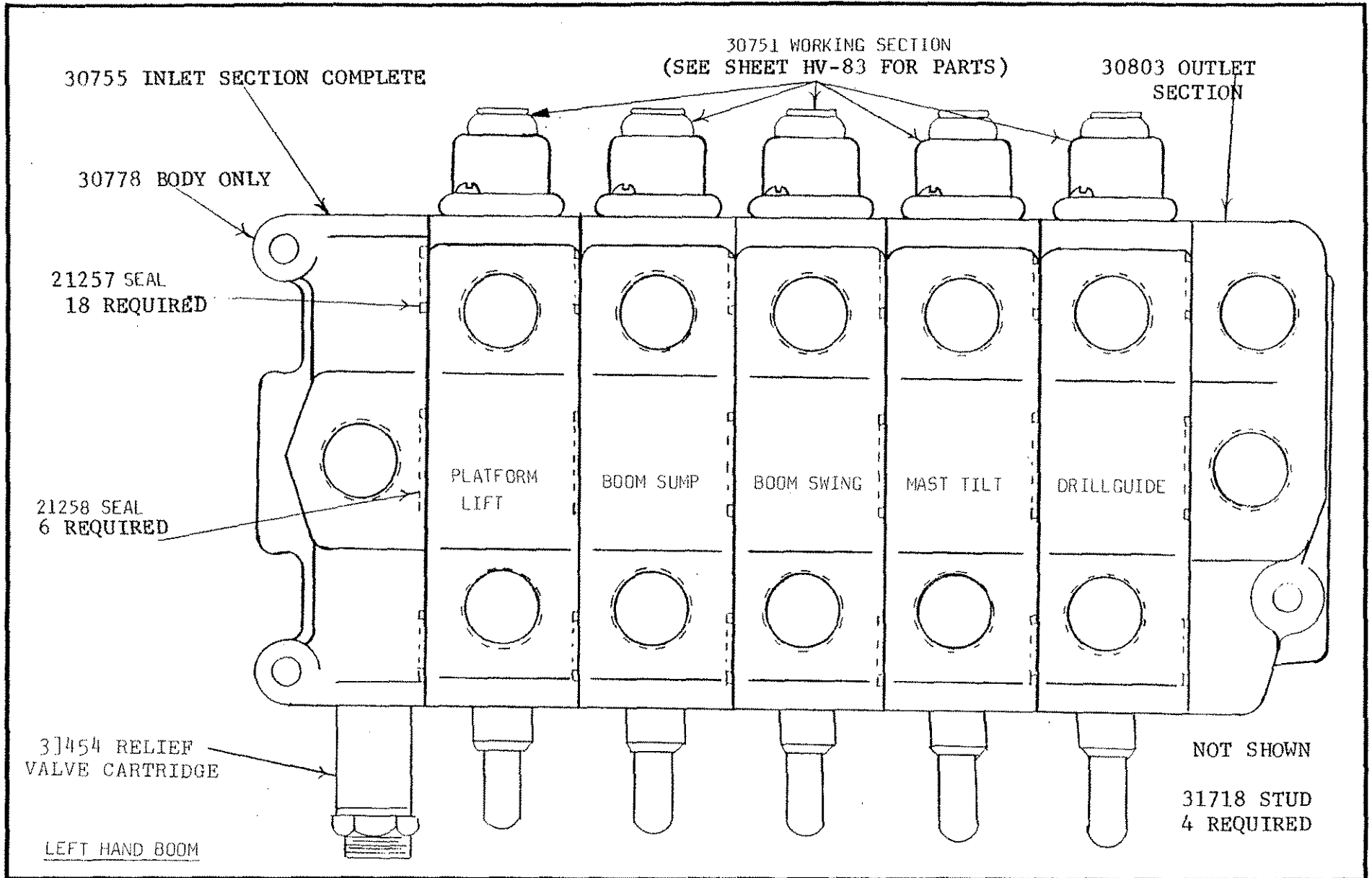
HANDLE & LINKAGE ARE REPLACED BY:



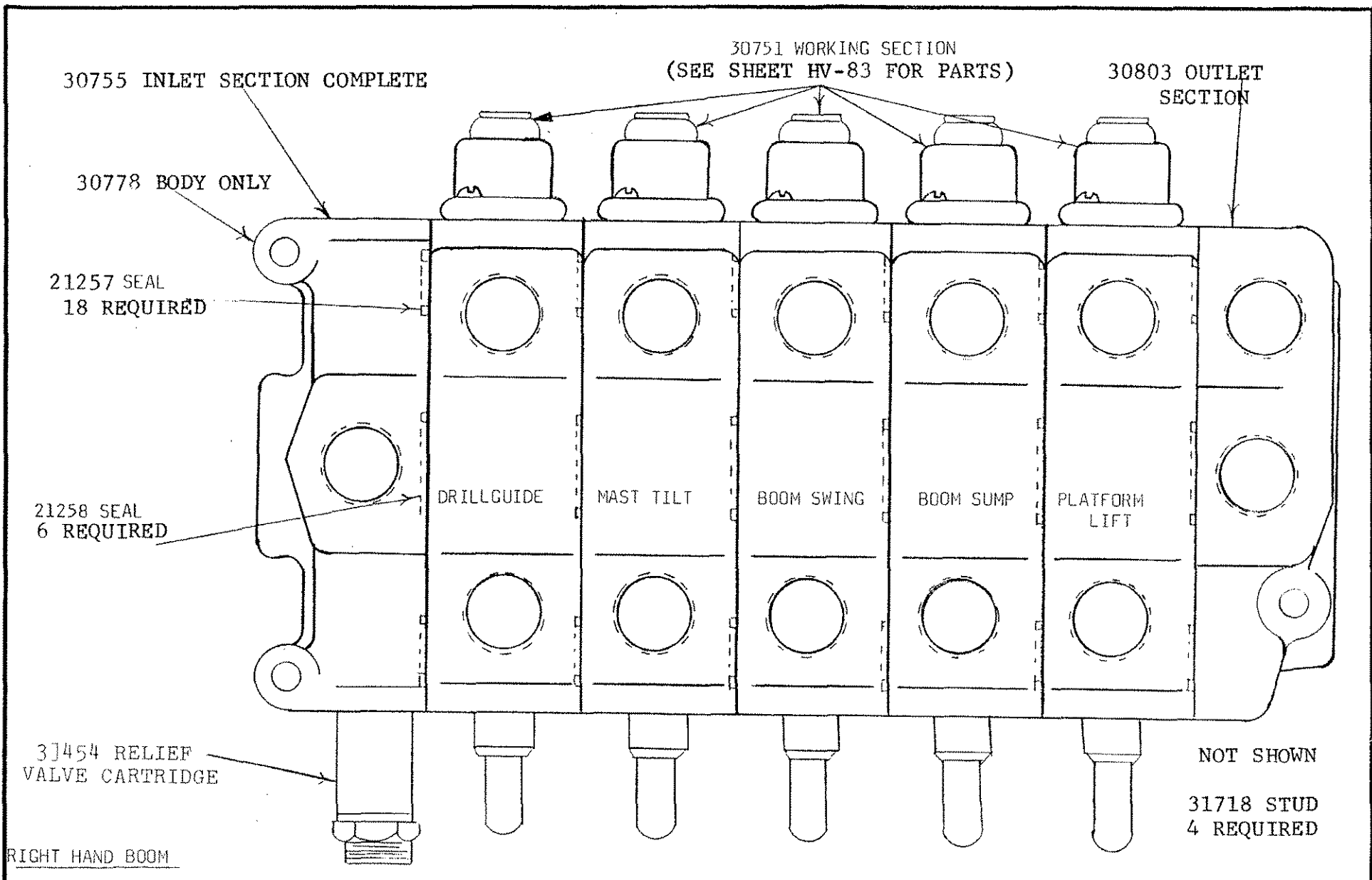
NOTE:
 HOUSING & SPOOL ARE NOT SOLD SEPERATELY.

NOTE: TO ORDER DIVERSION VALVE WITHOUT HANDLE USE PART #44127

SHEET NO.	TITLE	DATE	R	J. W. FLETCHER & CO.
HV-205	44116 DUAL DIVERSION VALVE	9/12/66		707 WEST 7TH STREET HUNTINGTON, W. VA.



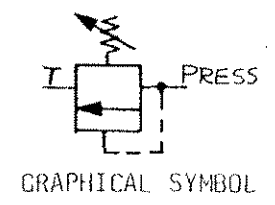
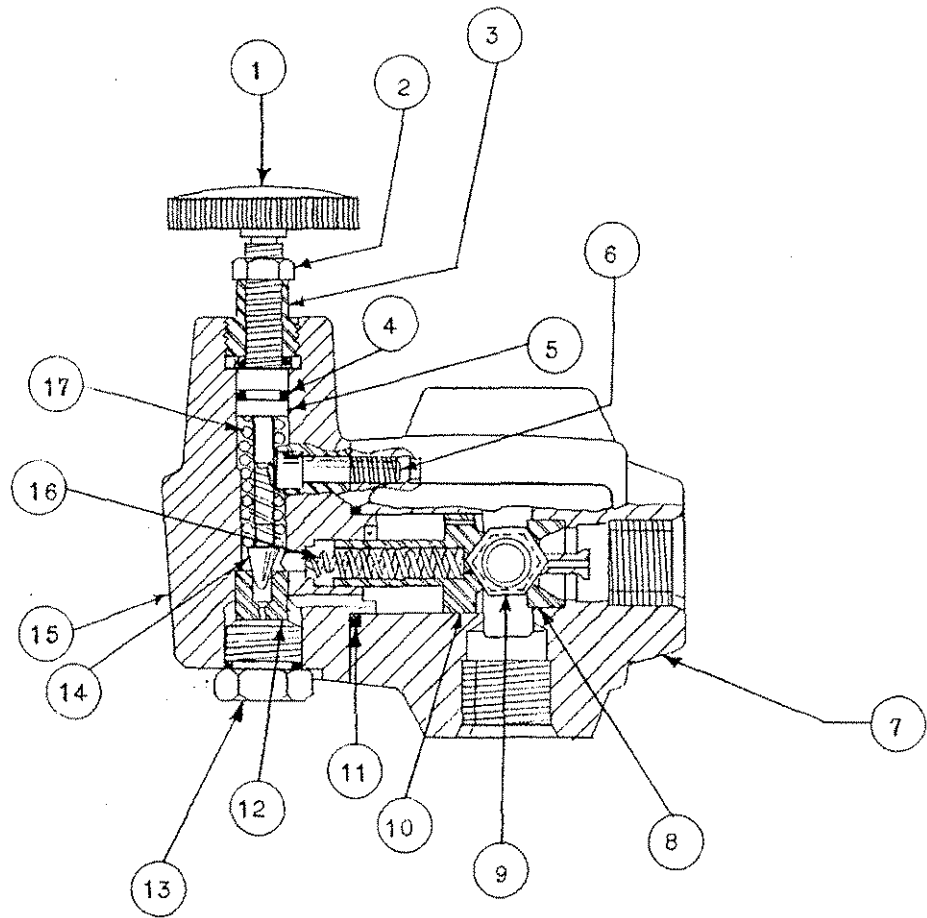
SHEET NO. HV-220 A	TITLE 44131 VALVE ASSEMBLY	DATE 3-29-67	R	J. H. FLETCHER & CO. 707 WEST 7TH STREET HUNTINGTON, W. VA.
------------------------------	--------------------------------------	------------------------	----------	--



<p>SHEET NO. HV-220 B</p>	<p>TITLE 44131 VALVE ASSEMBLY</p>	<p>DATE 3-29-67</p>	<p>R J. H. FLETCHER & CO. 707 WEST 7TH STREET HUNTINGTON, W. VA.</p>
-------------------------------	---------------------------------------	-------------------------	---

SHEET NO. HV-232	TITLE 44143 RELIEF VALVE	DATE 6-5-67	R	J. H. FLETCHER & CO. 707 WEST 7TH STREET HUNTINGTON, W. VA.
---------------------	-----------------------------	----------------	---	--

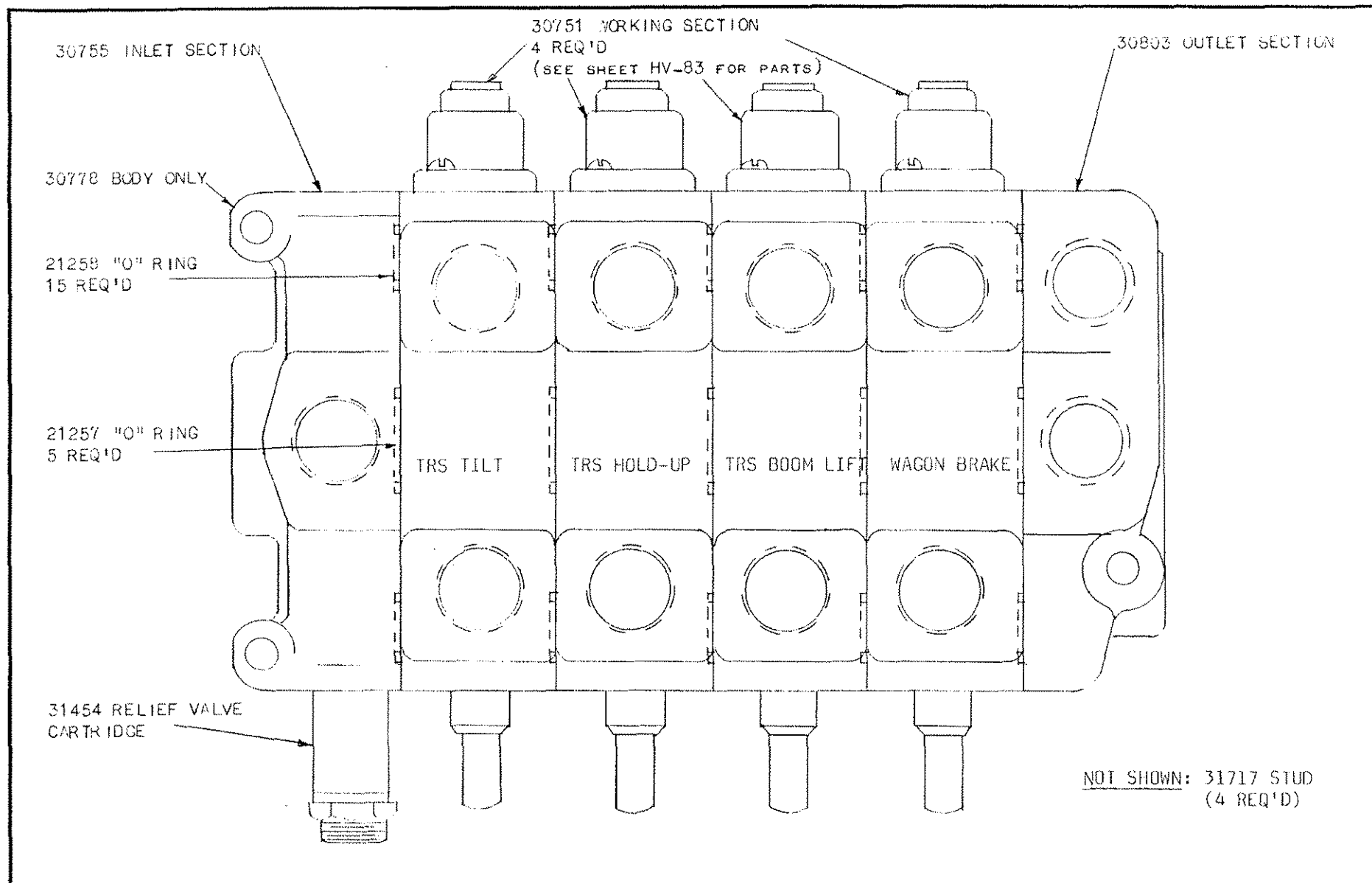
<u>ITEM NO.</u>	<u>PART NO.</u>	<u>DESCRIPTION</u>	<u>NO. REQ'D</u>
1.	23251	KNOB	1
2.	20845	NUT	1
3.	23253	LOCK SCREW	1
4.	21365	O-RING	1
5.	23252	PLUNGER	1
6.	24767	SCREW	4
7.	23250	BODY	1
8.	23248	SEAT	1
9.	20310	PLUG	1
10.	31915	PISTON	1
11.	21366	O-RING	1
12.	23247	SEAT	1
13.	7076-BB	PLUG	1
14.	31914	PISTON	1
15.	23249	COVER	1
16.	2077-BB	SPRING	1
17.	2282-BB	SPRING	1
18.			



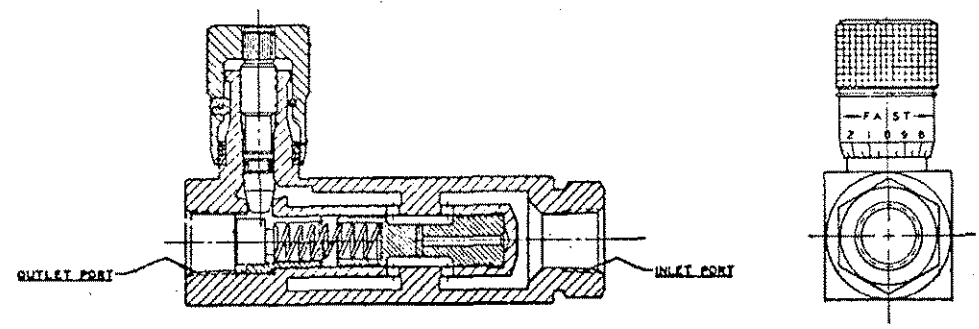
2 REQ'D FOR DRILL FEED

<p>SHEET NO. HV-232</p>	<p>TITLE 44143 RELIEF VALVE</p>	<p>DATE 6-5-67</p>	<p>R</p>	<p>J. W. FLETCHER & CO. 707 WEST 7TH STREET HUNTINGTON, W. VA.</p>
-----------------------------	-------------------------------------	------------------------	----------	---

TRASCO



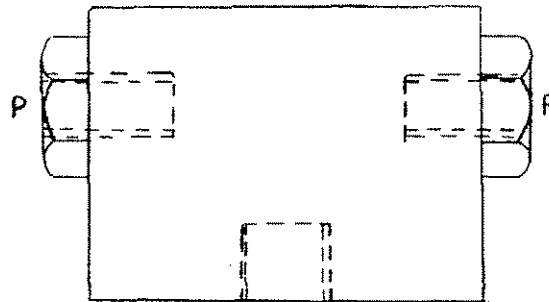
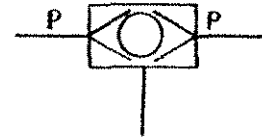
<p>SHEET NO. HV-246</p>	<p>TITLE 44149 VALVE ASSEMBLY</p>	<p>DATE 8-2-68</p>	<p>R</p>	<p>J. H. FLETCHER & CO. 707 WEST 7TH STREET HUNTINGTON, W. VA.</p>
-----------------------------	---------------------------------------	------------------------	----------	---



NOTE:
 NO PARTS RECOMMENDED FOR FIELD SERVICE.
 REPLACE COMPLETE VALVE.

2 REQ'D FOR ROTATION

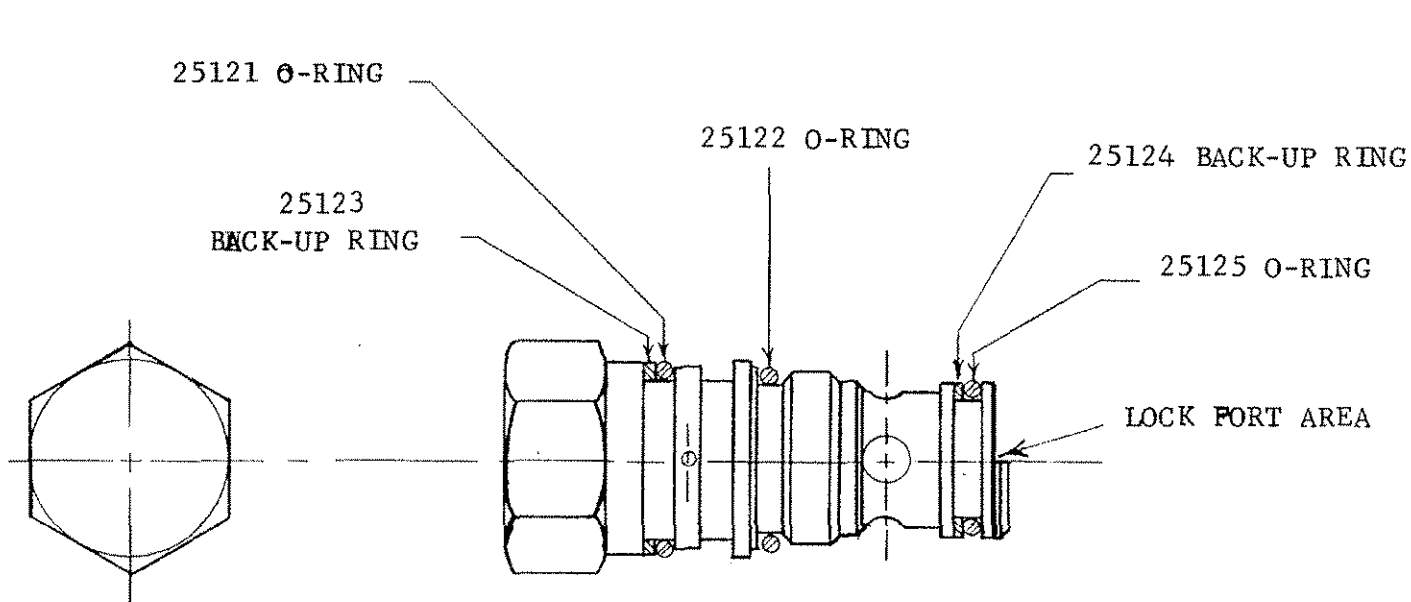
SHEET NO. HV-268	TITLE 31531 FLOW CONTROL VALVE	DATE 5/6/80	R	J. W. FLETCHER & CO. 707 WEST 7TH STREET HUNTINGTON, W. VA.
---------------------	-----------------------------------	----------------	---	---



NOTE: NO PARTS ARE RECOMMENDED FOR FIELD SERVICE. REPLACE COMPLETE VALVE.

2 REQ'D FOR DISC BRAKES

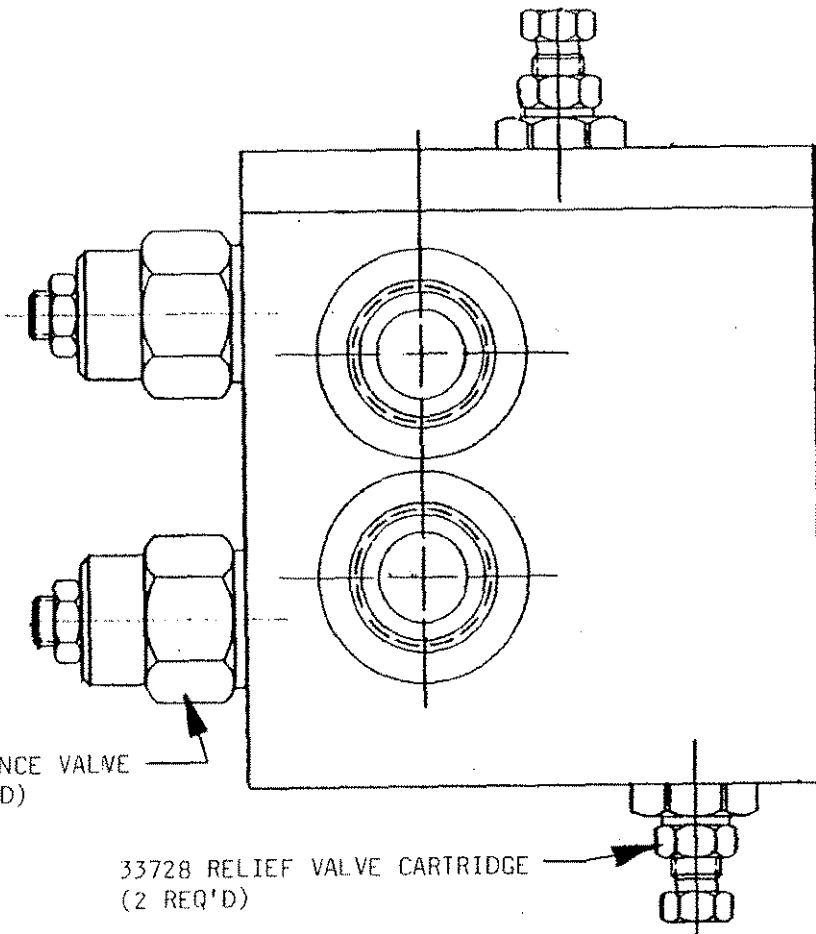
SHEET NO.	TITLE	DATE	R	J. H. FLETCHER & CO. 707 WEST 7TH STREET HUNTINGTON, W. VA.
HV-330	31530 SHUTTLE VALVE			



15 REQ'D

- 1 REQ'D FOR TRS TILT CYLINDER
- 1 REQ'D FOR TRS HOLD-UP CYLINDER
- 1 REQ'D FOR TRS RAISE CYLINDER
- 2 REQ'D FOR STAB JACK CYLINDERS
- 4 REQ'D FOR DRILL CANDPY CYLINDERS
- 2 REQ'D FOR DROPMAST CYLINDERS
- 2 REQ'D FOR BOOM SWING CYLINDERS
- 2 REQ'D FOR PLATFORM LIFT CYLINDERS

<p>SHEET NO. HV-401</p>	<p>TITLE 31577 PILOT CHECK VALVE CARTRIDGE</p>	<p>DATE 6-5-74</p>	<p>R</p>	<p>J. W. FLETCHER & CO. 707 WEST 7TH STREET HUNTINGTON, W. VA.</p>
------------------------------------	---	-------------------------------	----------	---

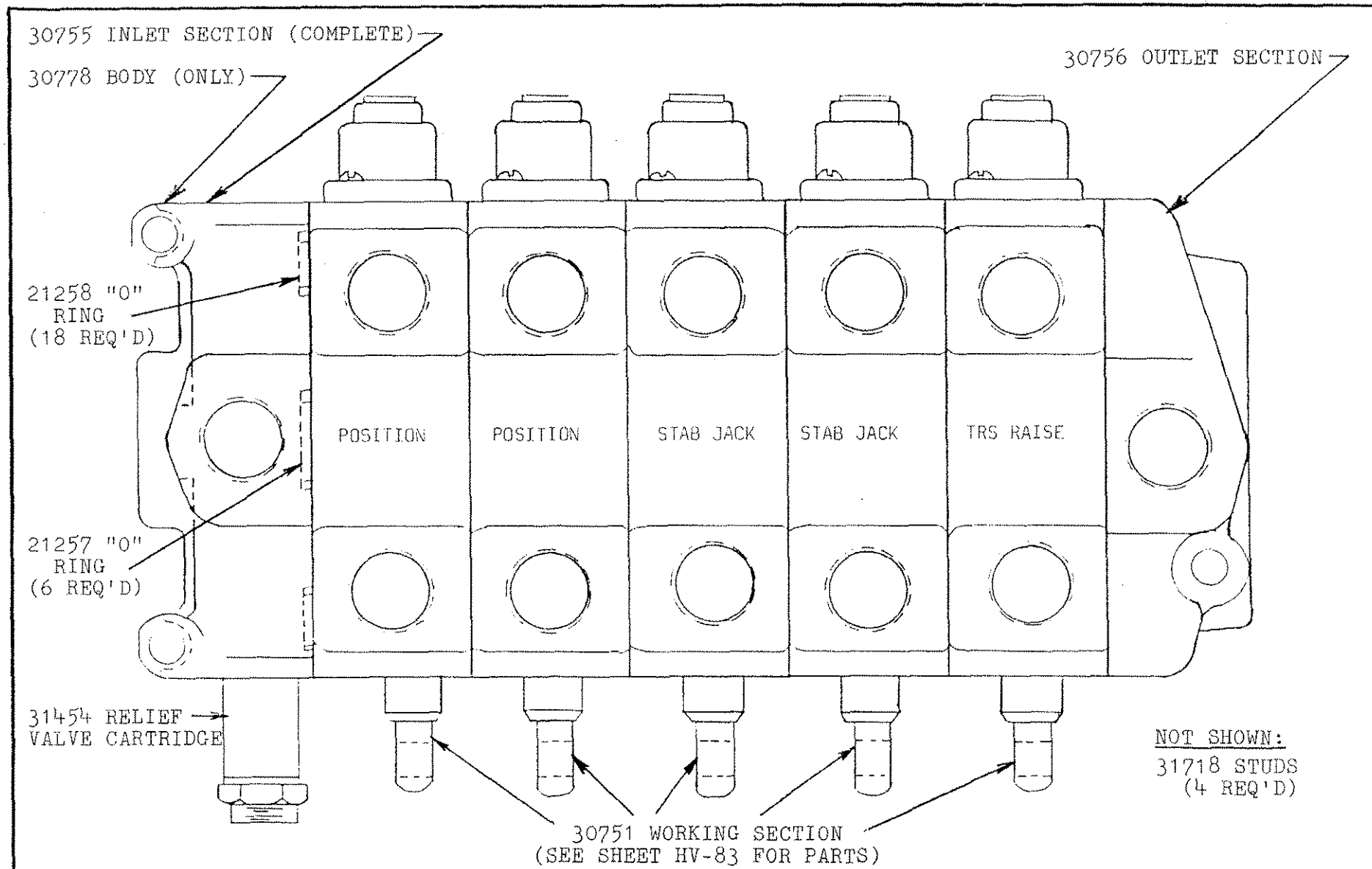


33608 COUNTERBALANCE VALVE
CARTRIDGE (2 REQ'D)

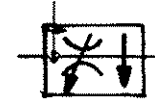
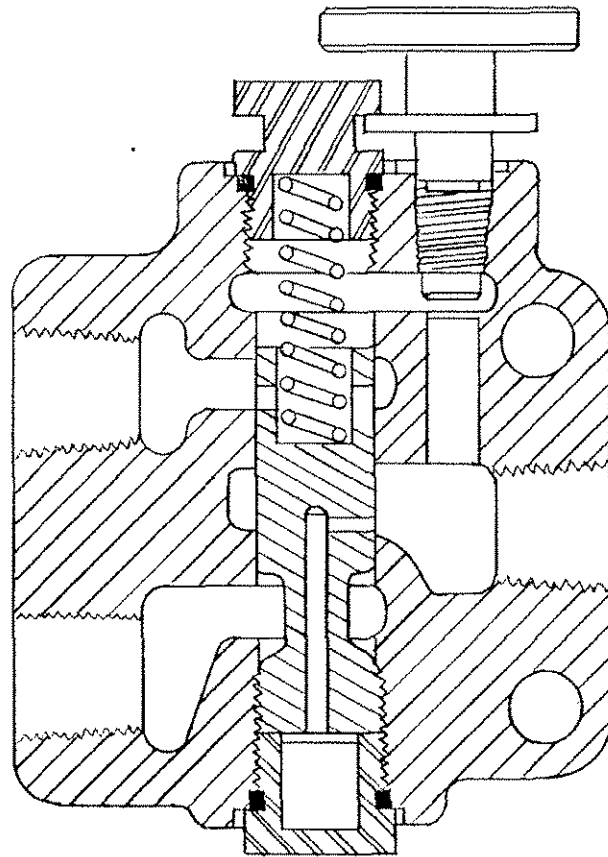
33728 RELIEF VALVE CARTRIDGE
(2 REQ'D)

2 REQ'D FOR TRAM SYSTEM

SHEET NO.	TITLE	DATE	R	J. H. FLETCHER & CO.	
HV-589	31654 MOTION CONTROL VALVE ASSEMBLY	4/20/82		707 WEST 7TH STREET	HUNTINGTON, W. VA.



SHEET NO.	TITLE	DATE	R	J. H. FLETCHER & CO. 707 WEST 7TH STREET HUNTINGTON, W. VA.
HV-594	44047 CONTROL VALVE	11/10/77		



GRAPHICAL SYMBOL

2 REQ'D FOR DRILL FEED

NOTE:
NO PARTS RECOMMENDED FOR
FIELD SERVICE. REPLACE
COMPLETE VALVE.

SHEET NO.

117- 793

TITLE

33612 FLOW CONTROL VALVE

DATE

10/10/79

R

J. H. FLETCHER & CO.

707 WEST 7TH STREET

HUNTINGTON, W. VA.

SHEET NO.

TITLE

DATE

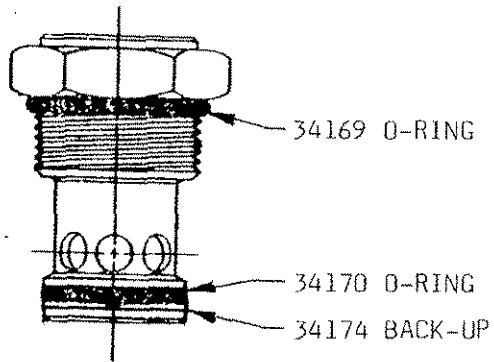
R

J. W. FLETCHER & CO.

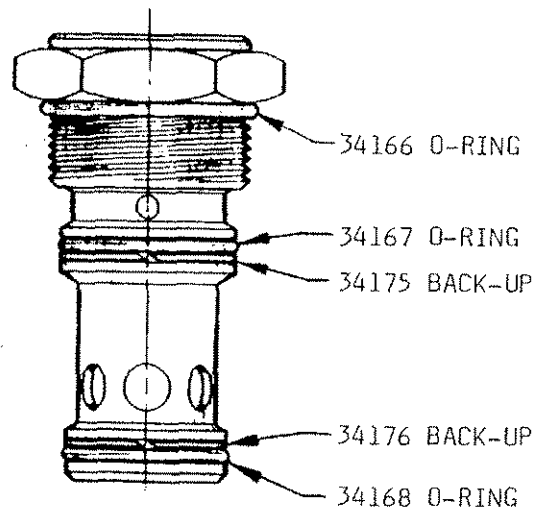
707 WEST 7TH STREET HUNTINGTON, W. VA.

HV-827

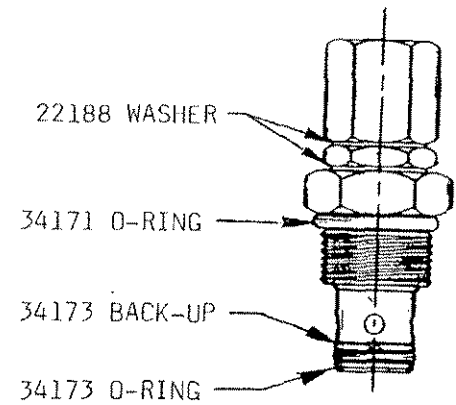
33620 CHECK & RELIEF VALVE PACKAGE



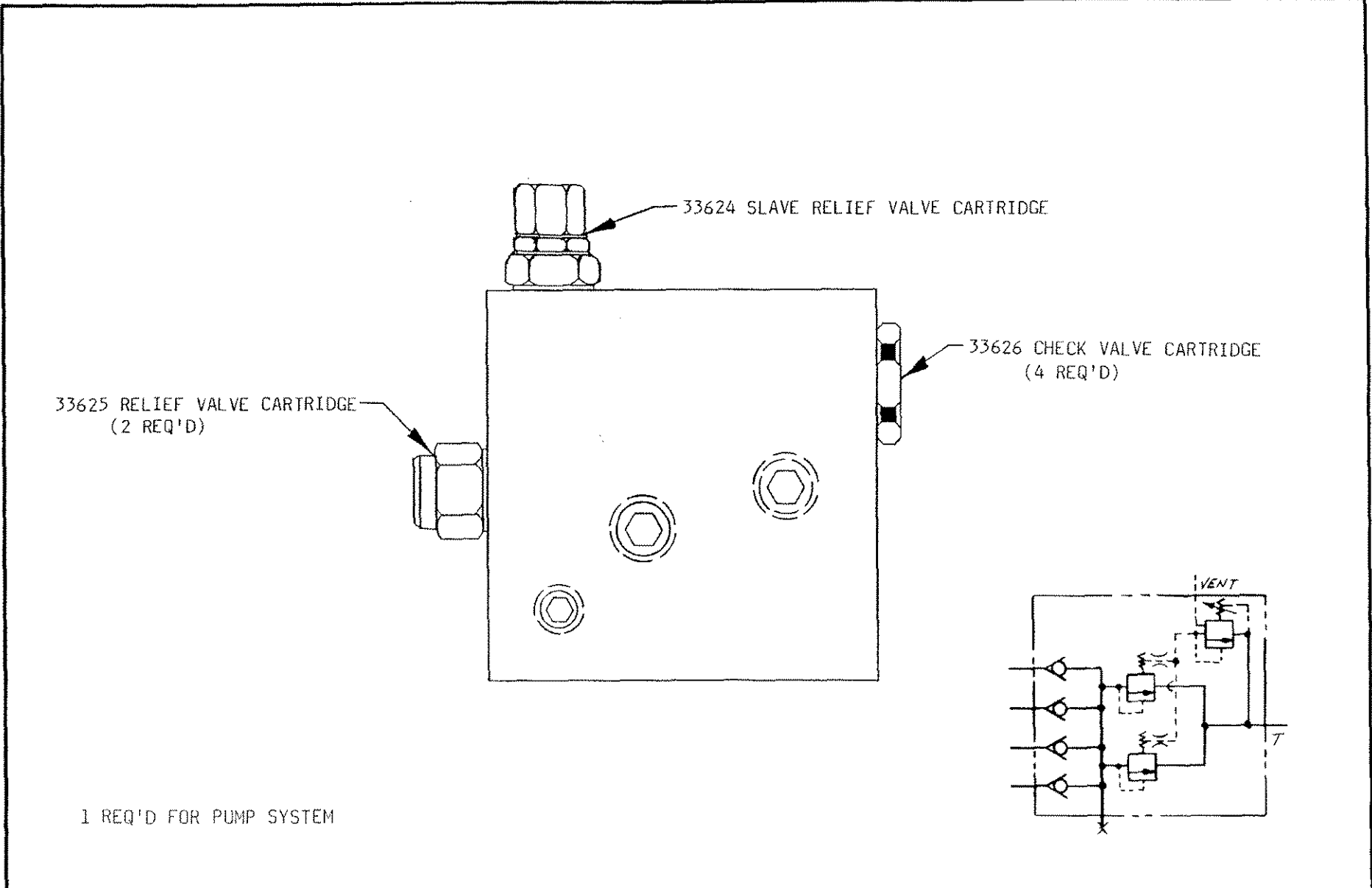
33626 CHECK VALVE CARTRIDGE



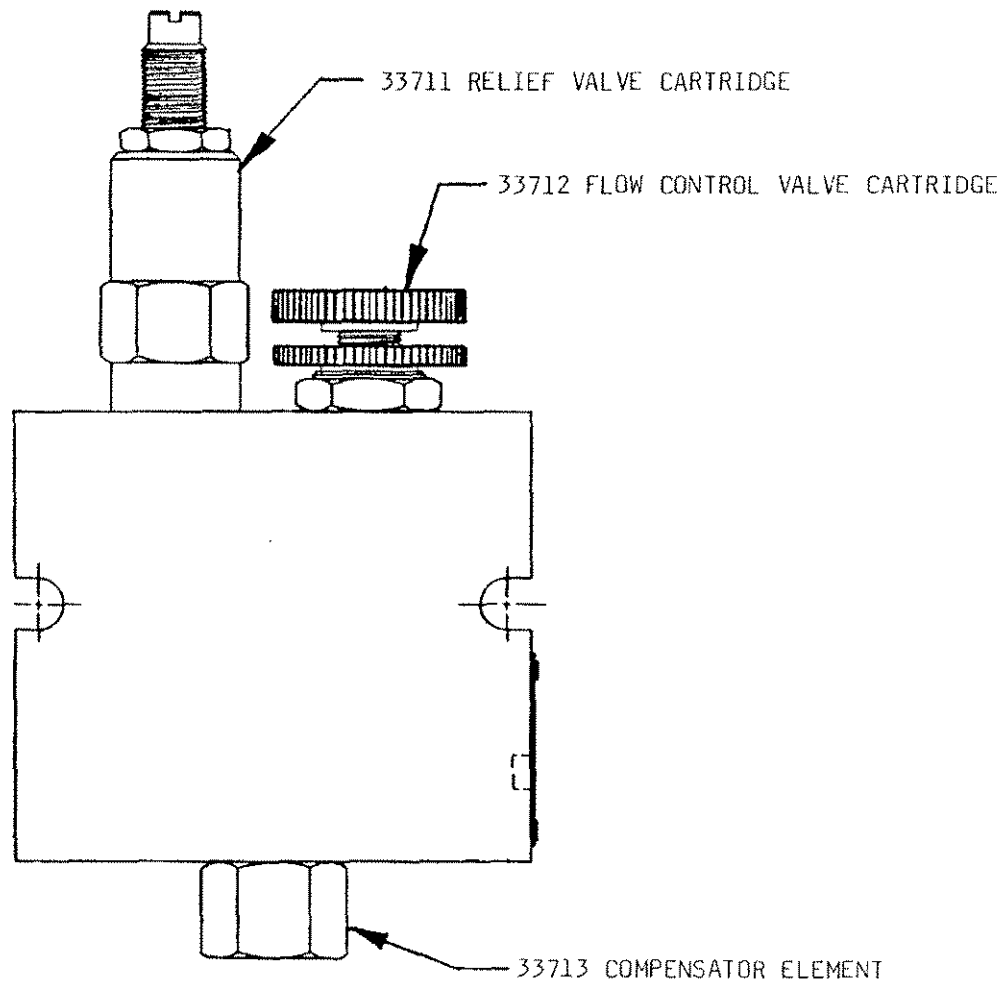
33625 RELIEF VALVE CARTRIDGE



33624 SLAVE RELIEF CARTRIDGE



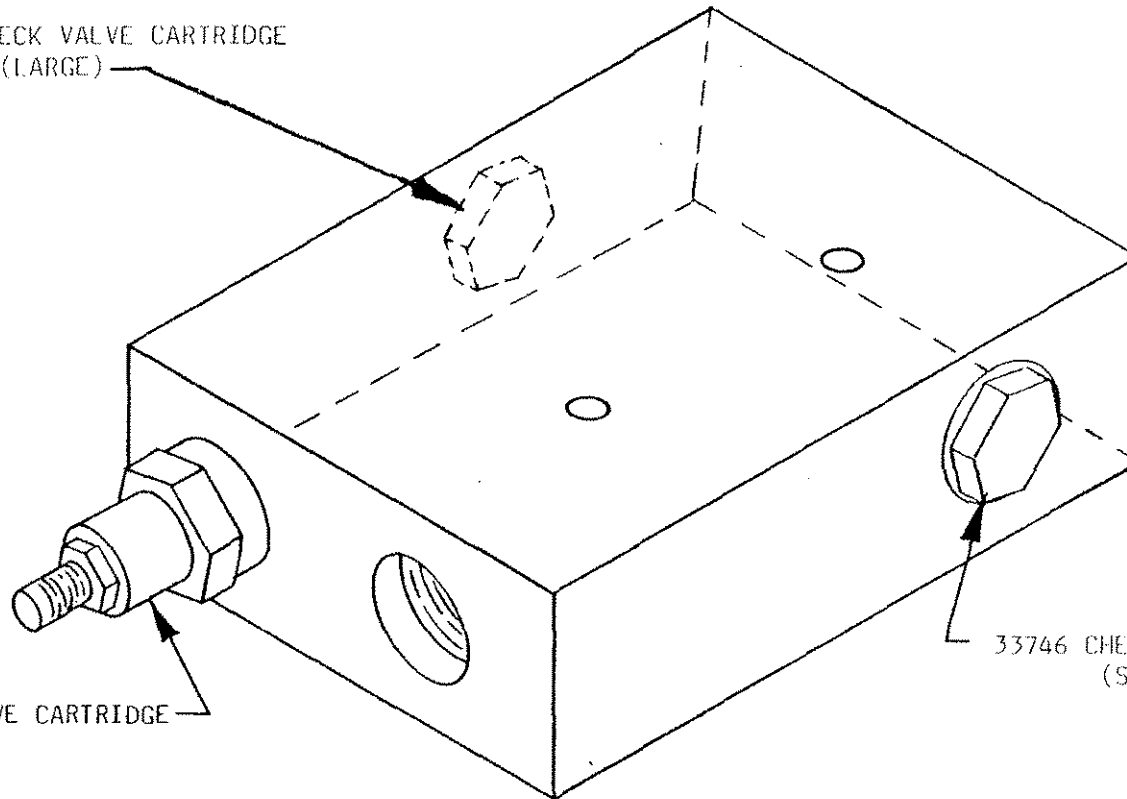
SHEET NO.	TITLE	DATE	R	J. H. FLETCHER & CO.	
HV-827	33620 CHECK & RELIEF VALVE PACKAGE	3/31/80		707 WEST 7TH STREET	HUNTINGTON, W. VA.



1 REQ'D FOR CABLE REEL

SHEET NO.	TITLE	DATE	R	J. H. FLETCHER & CO.
HV-915	33641 RELIEF & FLOW CONTROL VALVE	12/8/81		707 WEST 7TH STREET HUNTINGTON, W. VA.

33745 CHECK VALVE CARTRIDGE
(LARGE)



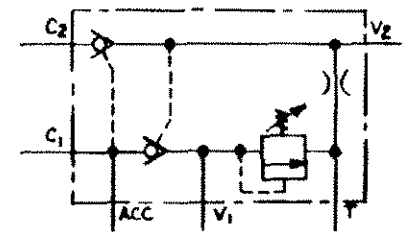
33746 CHECK VALVE CARTRIDGE
(SMALL)

33700 RELIEF VALVE CARTRIDGE

3 REQ'D

2 REQ'D FOR DRILL CANOPY RAISE

1 REQ'D FOR TRS RAISE



SHEET NO.

IIV-955

TITLE

33740 CHECK & RELIEF VALVE ASSEMBLY

DATE

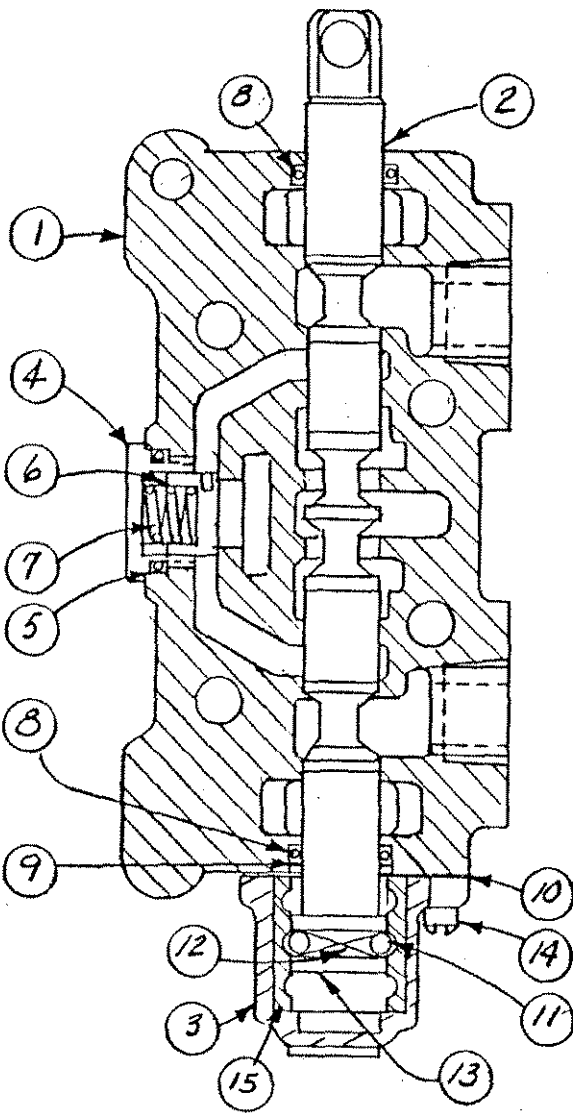
9-8-82

R

J. H. FLETCHER & CO.

707 WEST 7TH STREET

HUNTINGTON, W. VA.



ITEM	PART NO.	DESCRIPTION	NO. REQ'D.
1.	30792	VALVE HOUSING	1
2.	30515	VALVE SPOOL	1
3.	31075	VALVE CAP	1
4.	23063	CHECK VALVE CAP	1
5.	L3006-1-AM	"O" RING	1
6.	23062	CHECK POPPET	1
7.	22753	SPRING	1
8.	L3006-7-AM	"O" RING	2
9.	21273	BACK-UP RING	1
10.	23061	RETAINING PLATE	1
11.	X-53-9-AM	STEEL BALL	2
12.	A1327-15-AM	SPRING	1
13.	23088	POPPET RETAINER	1
14.	20043	SCREW, FILLISTER HD.	2
15.	23087	POPPET SLEEVE	1

ITEMS NOT SHOWN. SEE VALVE ASSY. FOR LOCATION

21257	"O" RING	1
21263	"O" RING	3

SHEET NO.

HV-970

TITLE

29349 VALVE SECTION ASSEMBLY

DATE

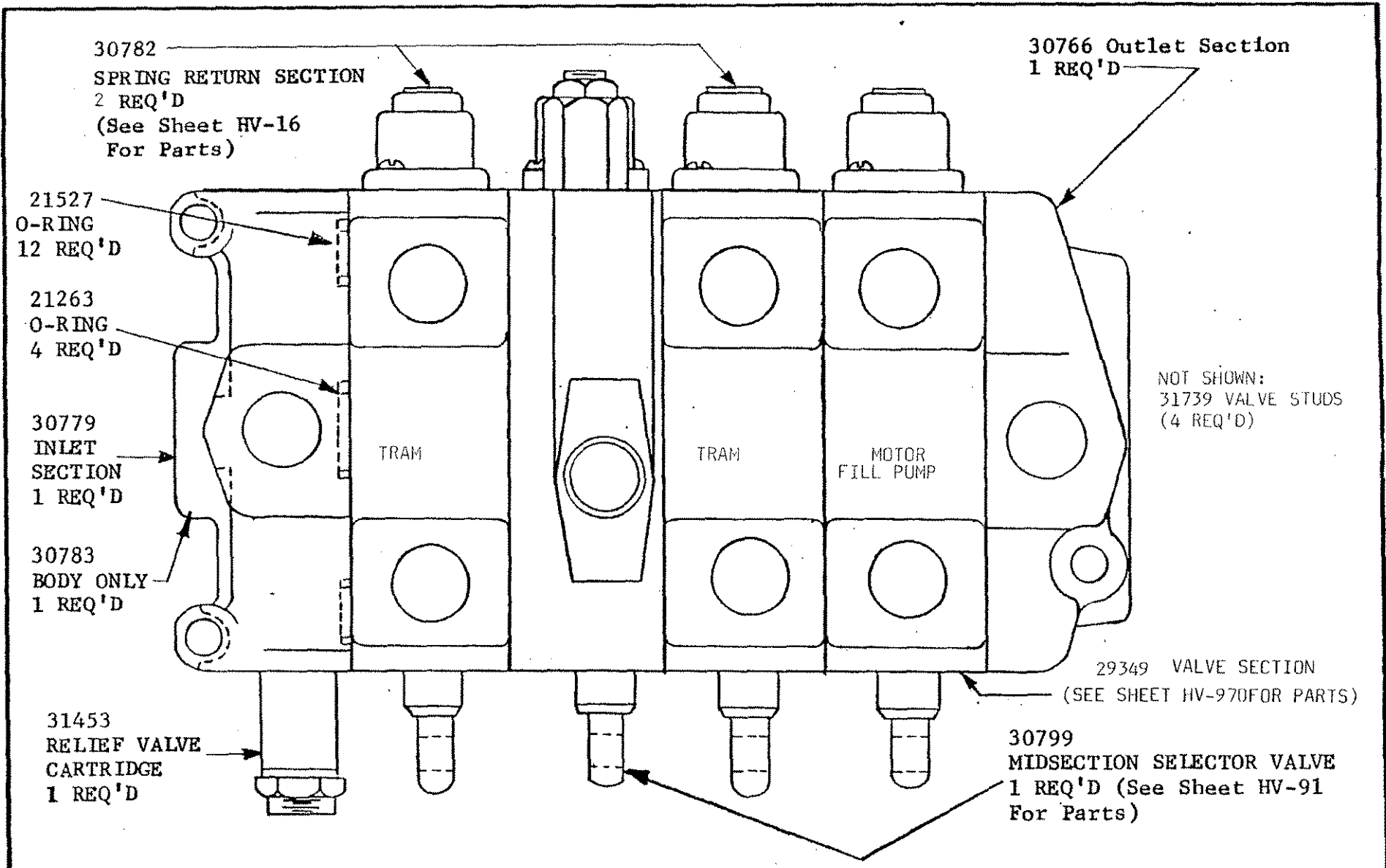
8-10-64

R

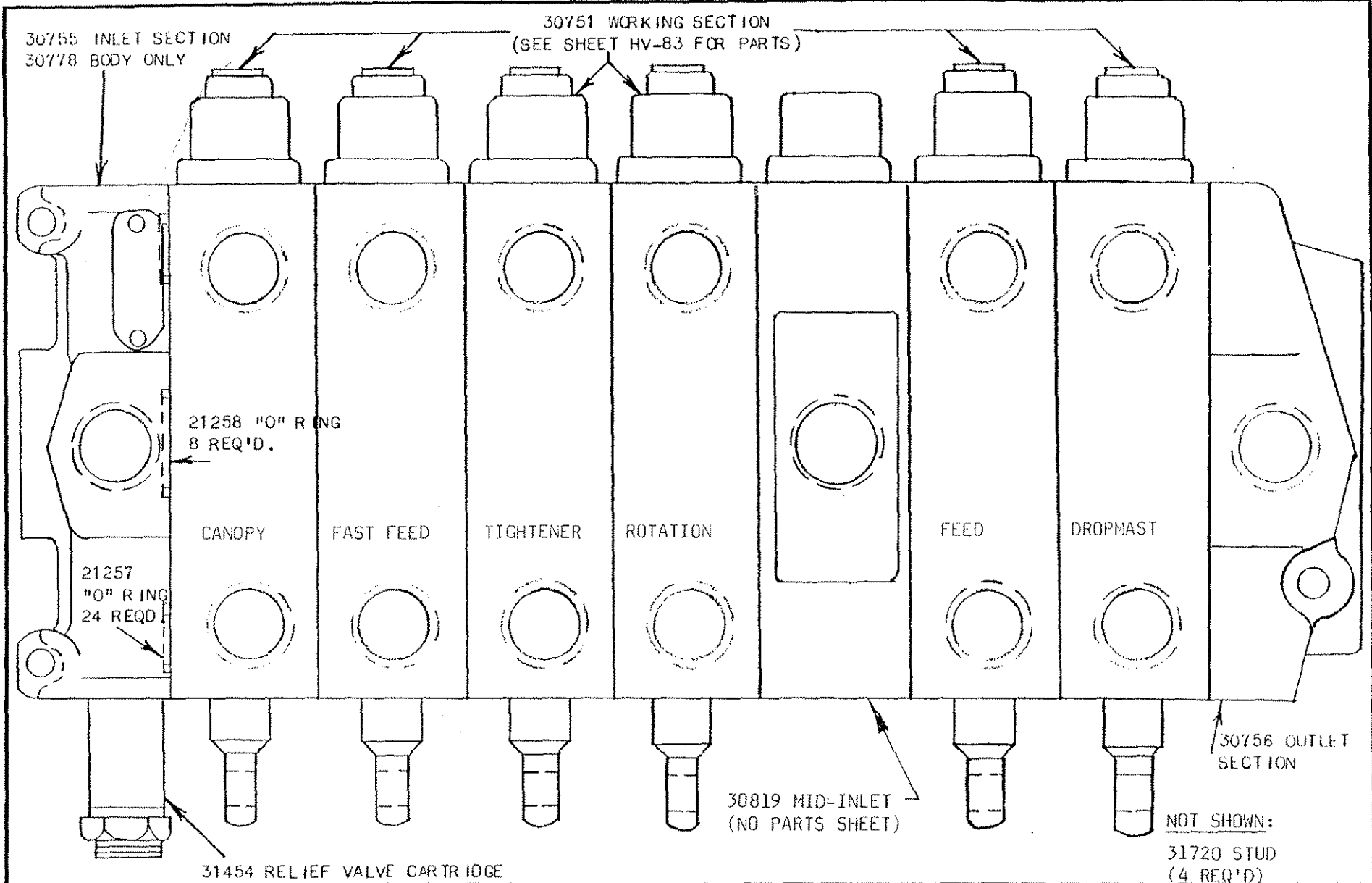
J. H. FLETCHER & CO.

707 WEST 7TH STREET

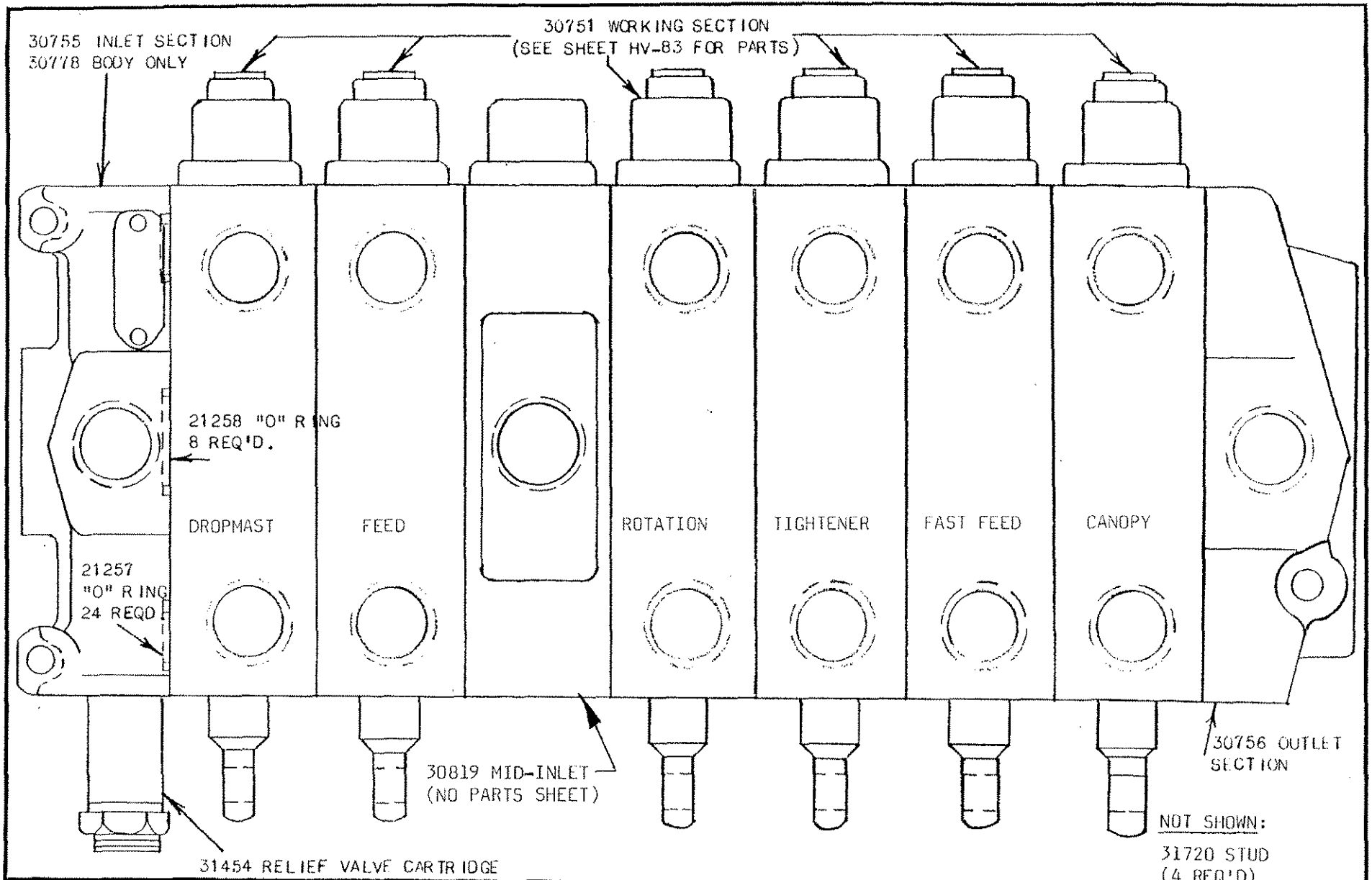
HUNTINGTON, W. VA.



<p>SHEET NO. HV-971</p>	<p>TITLE 48901 HYDRAULIC CONTROL VALVE</p>	<p>DATE 10-7-76</p>	<p>R</p>	<p>J. H. FLETCHER & CO. 707 WEST 7TH STREET HUNTINGTON, W. VA.</p>
-----------------------------	--	-------------------------	----------	--



<p>SHEET NO. HV-972</p>	<p>TITLE 47378 CONTROL VALVE ASSEMBLY</p>	<p>DATE 3-12-71</p>	<p>R</p>	<p>J. H. FLETCHER & CO. 707 WEST 7TH STREET HUNTINGTON, W. VA.</p>
-----------------------------	---	-------------------------	----------	---

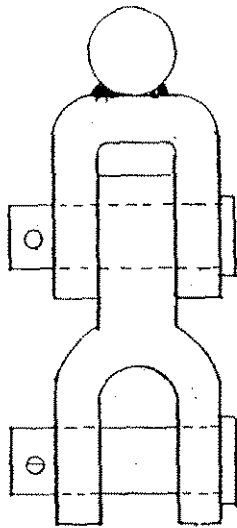


SHEET NO.	TITLE	DATE	R	J. H. FLETCHER & CO.
HV-83	47377 CONTROL VALVE ASSEMBLY	3-12-71		707 WEST 7TH STREET HUNTINGTON, W. VA.

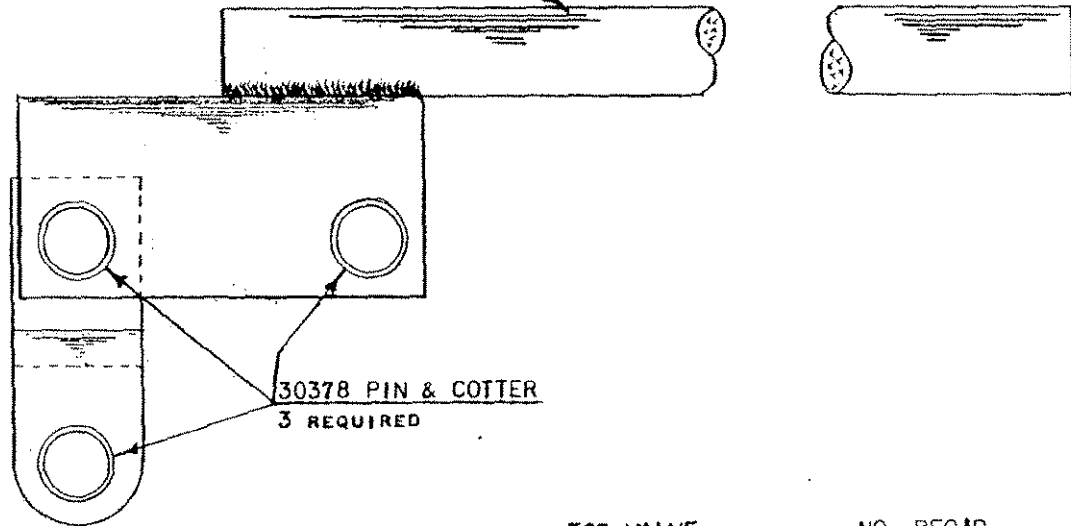
NOT SHOWN: 18478 RUBBER GRIP

60059 U-BAR

60058 HANDLE ONLY



41511 LINK



30378 PIN & COTTER
3 REQUIRED

FOR VALVE

NO. REQ'D.

44076	3
44047	5
44149	4
44131	10
47377	6

47378

6

SHEET NO.

HY-40

TITLE

41513 VALVE HANDLE ASSEMBLY

DATE

11-17-64

R

J. H. FLETCHER & CO.

707 WEST 7TH STREET

HUNTINGTON, W. VA.

30373 PIN
1 REQ'D

41557 HANDLE ONLY

30373 PIN
1 REQ'D

41555 LINK

30398 PIN
1 REQ'D

VALVE NO.	NO. REQ'D.
48901	4

SHEET NO.

HY-72

TITLE

41556 HANDLE & LINKAGE ASS'Y. FOR A-35 VALVE

DATE

9-17-70

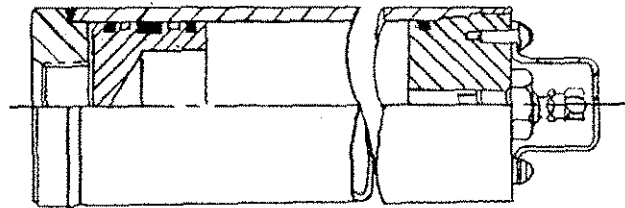
R

J. H. FLETCHER & CO.

707 WEST 7TH STREET

HUNTINGTON, W. VA.

NOTE: NO PARTS RECOMMENDED FOR
FIELD SERVICE. REPLACE
COMPLETE ACCUMULATOR.



2 REQ'D FOR DRILL CANOPY RAISE

SHEET NO. HY-120	TITLE 18263 HYDRAULIC ACCUMULATOR	DATE 11/30/78	R	J. H. FLETCHER & CO. 707 WEST 7TH STREET HUNTINGTON, W. VA.
---------------------	--------------------------------------	------------------	---	--