

INDEX FOR VALVE SYSTEM

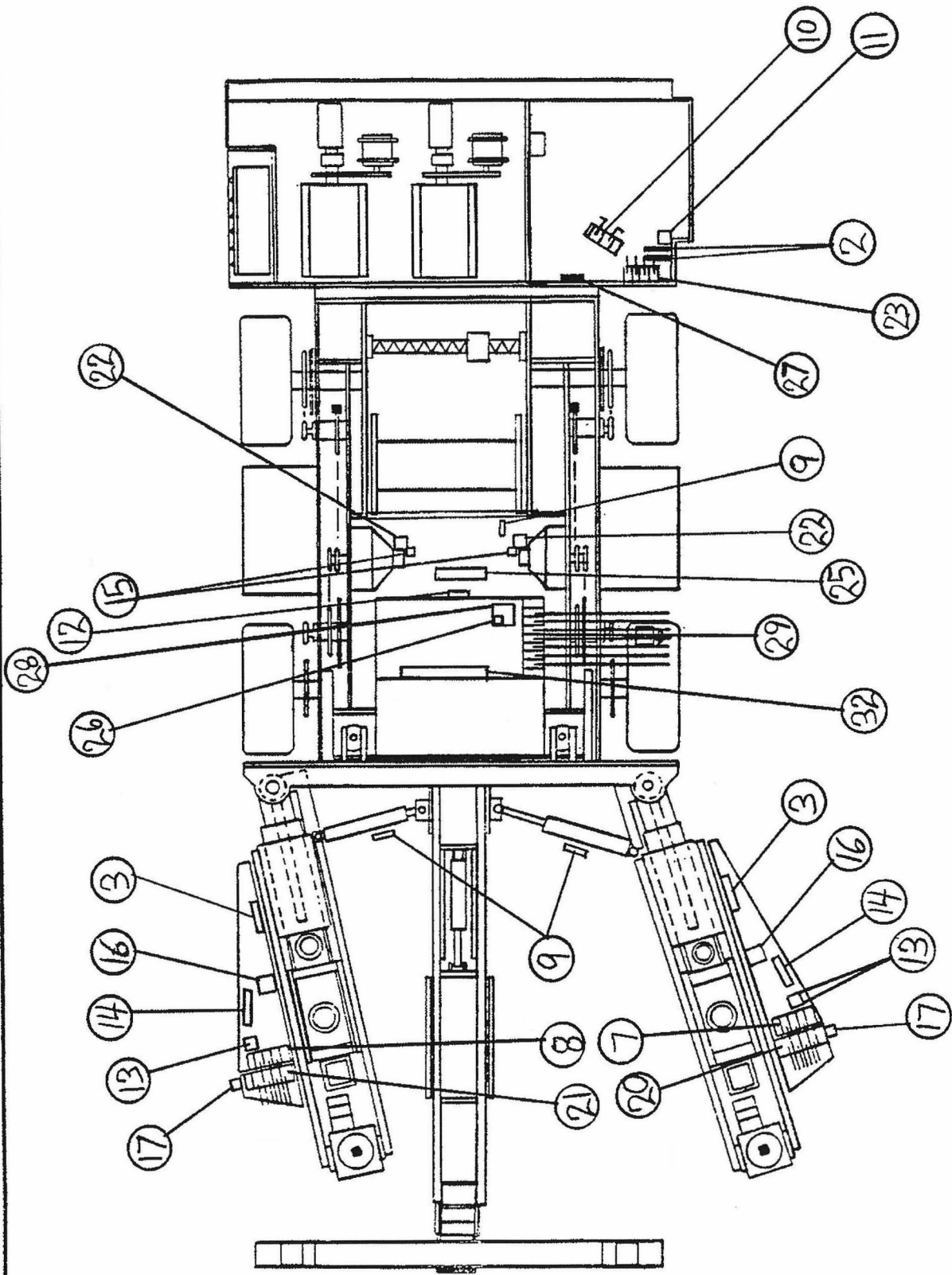
<u>ITEM</u>	<u>DESCRIPTION</u>	<u>PART NO.</u>	<u>SHEET NO.</u>	<u>NO. REQ'D</u>
	HYDRAULIC CIRCUITS			
2	CHECK VALVE ASSEMBLY (BI-7)	2531	HV-76	2
3	DUAL RELIEF VALVE ASSEMBLY (BI-9)	2533	HV-78	2
4	SPRING RETURN SECTION	30751	HV-83	10
5	WORKING SECTION	29366	HV-1113	1
6	MID-SECTION SELECTOR VALVE	29383	HV-1121	1
7	CONTROL VALVE ASSEMBLY	44022	HV-108A	1
8	CONTROL VALVE ASSEMBLY	44022	HV-108B	1
9	ADJUSTABLE FLOW CONTROL VALVE	37192	HV-170	7
10	CONTROL VALVE ASSEMBLY	147187	HV-1249	1
11	DUAL DIVERSION VALVE	44116	HV-205	1
12	FLOW CONTROL VALVE	31508	HV-252	1
13	VENTED TORQUE & RELIEF VALVE	37788	HV-1148	2
14	FLOW CONTROL VALVE	31531	HV-268	2
15	SHUTTLE VALVE	31530	HV-330	2
16	RELIEF & FLOW CONTROL VALVE PACKAGE	31538	HV-337	2
17	DIRECTION CONTROL VALVE	31569	HV-360	2
18	VALVE SECTION	30814	HV-399	8
19	PILOT CHECK VALVE CARTRIDGE	31577	HV-401	11
20	CONTROL VALVE ASSEMBLY	44867	HV-486A	1
21	CONTROL VALVE ASSEMBLY	44867	HV-486B	1
22	MOTION CONTROL VALVE ASSEMBLY	37187	HV-1642	2
23	CONTROL VALVE ASSEMBLY	147094	HV-1202	1
24	VALVE SECTION	29370	HV-1126	1

INDEX FOR VALVE SYSTEM

<u>ITEM</u>	<u>DESCRIPTION</u>	<u>PART NO.</u>	<u>SHEET NO.</u>	<u>NO. REQ'D</u>
25	CHECK & RELIEF VALVE PACKAGE	36763	HV-1141	1
26	COUNTERBALANCE VALVE	33657	HV-879	1
27	RELIEF & FLOW CONTROL VALVE	33641	HV-915	1
28	CHECK & RELIEF VALVE ASSEMBLY	36854	HV-1524	1
29	CONTROL VALVE ASSEMBLY	147134	HV-1153	1
30	VALVE HANDLE ASSEMBLY	41513	HY-40	24
32	HYDRAULIC ACCUMULATOR	45414	HY-130	1
33	POSITION CONTROL STATION		MY-323	1
34	FIXED FLOW CONTROL VALVE	37904	HV-1799	1
35	SPRING RETURN SECTION	29363	HV-1112	7
36	DUAL DIVERSION VALVE	147389	HV-10208	1
37	FOOT PEDAL FOR 147389 VALVE	235989	HY-272	1
38	PRESSURE REDUCING VALVE	37082	HV-1578	1
39	TRS RAISE CHECK VALVE	37195	HV-76	1
40	TWO HAND FAST FEED DIVERSION VALVE	37768	HV-583	2
41	PRE-CLEANER VENTED SEQUENCE VALVE	31509	HV-254	4
42	TRS RAISE DIVERSION VALVE	37764	HV-1195	1
43	VALVE HANDLE ARRANGEMENT		HY-253	1
44	ROLLER LOCKING KIT	234570	MY-1096	1

HANDLE TAGS

MANUAL CHANGE REQUEST FORM



SHEET NO.

TITLE

LOCATIONS FOR VALVE SYSTEM

DATE

R

J. H. FLETCHER & CO.
 707 WEST 7TH STREET
 HUNTINGTON, W. VA.