

PARTS CATALOG

FOR A

J.H. **FLETCHER** & CO.

MINING PRODUCT

CUSTOMER.....U.S.S. MINING CORP. - LYNCH DISTRICT

MACHINE MODEL.....DDR-13-D,C-D

SERIAL NUMBER..83102.....83102

CUSTOMER ORDER NUMBER.....574-81692-02

ELECTRICAL APPROVAL NUMBER.....2G-2956A-1

HEALTH APPROVAL NUMBER.....25B-294

PENNSYLVANIA APPROVAL NUMBER...N/A

J.H. FLETCHER & CO.

ENGINEERED MINING EQUIPMENT

P. O. Box 2143

707 West Seventh St.

HUNTINGTON, WEST VIRGINIA 25722

TO WHOM IT MAY CONCERN:

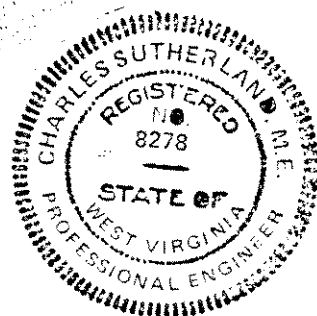
On behalf of J.H. Fletcher & Co., I have studied the design of the canopy structure supplied with model number DDR-13-D.C-D, serial number 83102 machine, as recorded on the original J.H. Fletcher & Company drawing, number 3-83-6, dated 3/4/83, I hereby certify that the design of the canopy structure satisfies the minimum requirements set forth in 30 CFR 75, 1710-1(D). Any alteration to the above design abridges this certification.



CHARLES SUTHERLAND

REGISTERED PROFESSIONAL ENGINEER

W. VA. NO. 8278



J.H. FLETCHER & CO.

ENGINEERED MINING EQUIPMENT

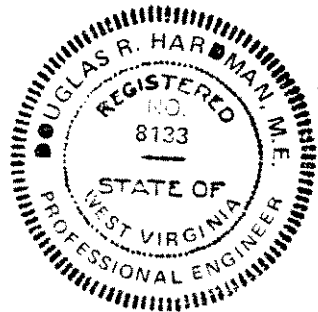
P. O. Box 2143

707 West Seventh St.

HUNTINGTON, WEST VIRGINIA 25722

TO WHOM IT MAY CONCERN:

On behalf of J.H. Fletcher & Co., I have studied the design of the canopy structure supplied with model number DDR-13-D,C-D, serial number 83102 machine, as recorded on the original J.H. Fletcher & Company drawing, number 3-83-19, dated 4/11/83, I hereby certify that the design of the canopy structure satisfies the minimum requirements set forth in 30 CFR 75, 1710-1(D). Any alteration to the above design abridges this certification.



DOUGLAS R. HARDMAN

REGISTERED PROFESSIONAL ENGINEER

W. VA. NO. 8133

J. H. FLETCHER & CO.

ENGINEERED MINING EQUIPMENT

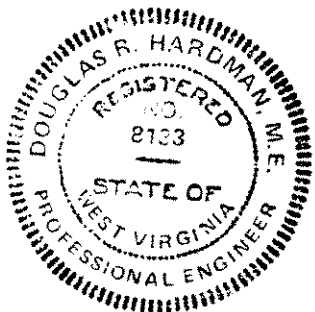
P. O. Box 2143

707 West Seventh St.

HUNTINGTON, WEST VIRGINIA 25722

TO WHOM IT MAY CONCERN:

On behalf of J. H. Fletcher & Co., I have examined the design of the temporary roof support system supplied with model number DDR-13-D,C-D, serial number 83102, machine as recorded on the original J. H. Fletcher drawing number 3-83-44, dated 3/29/83. I hereby certify that the structure, as designed and specified, will support a dead weight loading equal to at least 45000 pounds distributed as per guidelines established by MESA. Any alteration to the above design abridges this certification.



DOUGLAS R. HARDMAN

REGISTERED PROFESSIONAL ENGINEER

W. VA. NO. 8133

PARTS CATALOG

FOR A

J.H. **FLETCHER** & CO.

MINING PRODUCT

CUSTOMER.....U.S.S. MINING CORP. - LYNCH DISTRICT
MACHINE MODEL.....DR-13-D,C-D
SERIAL NUMBER.....83103
CUSTOMER ORDER NUMBER.....574-81692-02
ELECTRICAL APPROVAL NUMBER.....2G-2956A-1
HEALTH APPROVAL NUMBER.....25B-294
PENNSYLVANIA APPROVAL NUMBER...N/A

J. H. FLETCHER & CO.

ENGINEERED MINING EQUIPMENT

P. O. Box 2143

707 West Seventh St.

HUNTINGTON, WEST VIRGINIA 25722

TO WHOM IT MAY CONCERN:

On behalf of J. H. Fletcher & Co., I have examined the design of the temporary roof support system supplied with model number DDR-13-D, C-D, serial number 83103, machine as recorded on the original J. H. Fletcher drawing number 3-83-44, dated 3/29/83. I hereby certify that the structure, as designed and specified, will support a dead weight loading equal to at least 45000 pounds distributed as per guidelines established by MESA. Any alteration to the above design abridges this certification.



DOUGLAS R. HARDMAN

REGISTERED PROFESSIONAL ENGINEER

W.VA. NO. 8133

J.H. FLETCHER & CO.

ENGINEERED MINING EQUIPMENT

P. O. Box 2143

707 West Seventh St.

HUNTINGTON, WEST VIRGINIA 25722

TO WHOM IT MAY CONCERN:

On behalf of J.H. Fletcher & Co., I have studied the design of the canopy structure supplied with model number DDR-13-D,C-D, serial number 83103 machine, as recorded on the original J.H. Fletcher & Company drawing, number 3-83-19, dated 4/11/83, I hereby certify that the design of the canopy structure satisfies the minimum requirements set forth in 30 CFR 75, 1710-1(D). Any alteration to the above design abridges this certification.



DOUGLAS R. HARDMAN

REGISTERED PROFESSIONAL ENGINEER

W. VA. NO. 8133

J.H. FLETCHER & CO.

ENGINEERED MINING EQUIPMENT

P. O. Box 2143

707 West Seventh St.

HUNTINGTON, WEST VIRGINIA 25722

TO WHOM IT MAY CONCERN:

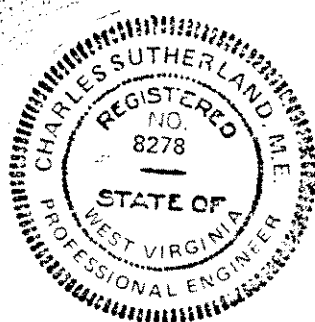
On behalf of J.H. Fletcher & Co., I have studied the design of the canopy structure supplied with model number DDR-13-D,C-D, serial number 83103 machine, as recorded on the original J.H. Fletcher & Company drawing, number 3-83-6, dated 3/4/83, I hereby certify that the design of the canopy structure satisfies the minimum requirements set forth in 30 CFR 75, 1710-1(D). Any alteration to the above design abridges this certification.



CHARLES SUTHERLAND

REGISTERED PROFESSIONAL ENGINEER

W. VA. NO. 8278



SHEET NO.

1-277

TITLE

LUBRICATION DIAGRAM FOR TRACO TR

DATE

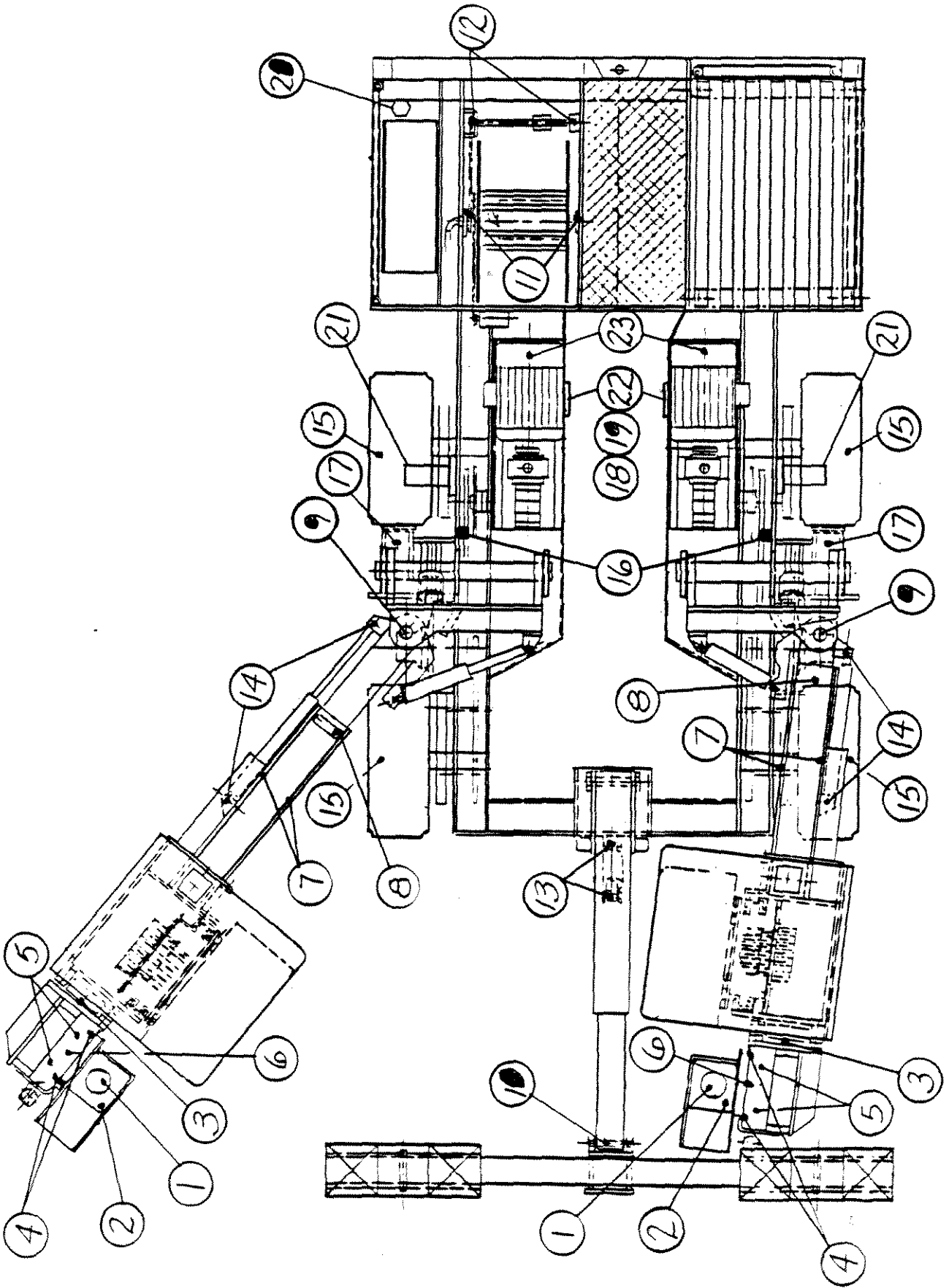
6/8/83

R

J. H. FLETCHER & CO.

707 WEST 7TH STREET HUNTINGTON, W. VA.

ITEM	DESCRIPTION	RECOMMENDED LUBRICATION	INTERVAL
1	DRUMHEAD FINGER	MULTI-PURPOSE GREASE #2 LITHIUM	EACH SHIFT
2	DRUMHEAD OIL LEVEL	SAE 90 OR 80w/90 MULTI-PURPOSE GLAR LUBE	DAILY (FLUSH WEEKLY)
3	MAST LIFT ASSEMBLY	MULTI-PURPOSE GREASE #2 LITHIUM	WEEKLY
4	DRUMHEAD CARRIAGE	" "	"
5	DRUM CROSSHEAD ASSEMBLY (ROLLERS)	" "	"
6	HYDRAULIC DRUM GUIDE LINKS (OPTIONAL)	" "	"
7	INNER BOOM WEAR STRIPS	" "	"
8	OUTER BOOM ROLLERS	" "	"
9	INNER BOOM PIVOT ASSEMBLY	" "	"
10	TRS HOUSING PIVOT PIN	" "	"
11	CABLE REEL ASSEMBLY	" "	"
12	SPINNER ASSEMBLY	" "	"
13	TRS BOOM LIFT CYLINDER PINS	" "	MONTHLY
14	BOOM SUMP CYLINDER ENDS	" "	"
15	WHEEL HUBS (FRONT & REAR)	" "	"
16	DISC BRAKE ASSEMBLY	" "	"
17	WAGON BRAKE ASSEMBLY (OPTIONAL)	" "	"
18	BOOM MOUNT PIVOT ARMS	" "	"
19	TRAM DRIVE COUNTERSHAFT BEARINGS	" "	"
20	HYDRAULIC OIL TANK (FILL PUMP)	ASTM 315 OR ISO-VG68 ANTI-WEAR HYDRAULIC OIL	AS NEEDED
21	HYDRAULIC OIL FILTER ASSEMBLY	CHANGE ELEMENT WHEN FILTER INDICATES	
22	BLOWER ASSEMBLY	SEE BLOWER INSTRUCTION MANUAL	
23	ELECTRIC MOTOR ASSEMBLY	SEE ELECTRIC INSTRUCTION MANUAL	



SHEET NO.

1-277

TITLE

LUBRICATION DIAGRAM FOR MODEL 600R

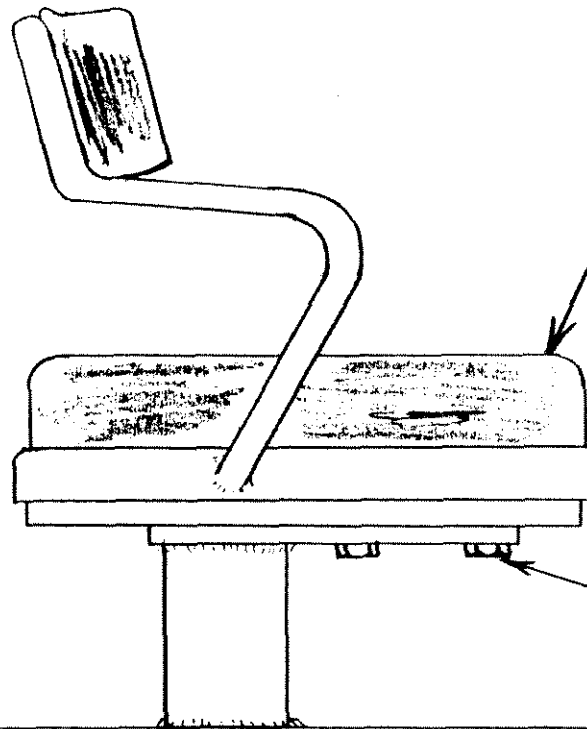
DATE

6/8/83

R

J. H. FLETCHER & CO.

707 WEST 7TH STREET
HUNTINGTON, W. VA.



45371 CUSHION

20002 HX. HD. CAP SCREW
22011 LOCKWASHER
20753 NUT
2 EACH REQUIRED

SHEET NO.

MX-40

TITLE

3218 SEAT ARRANGEMENT

DATE

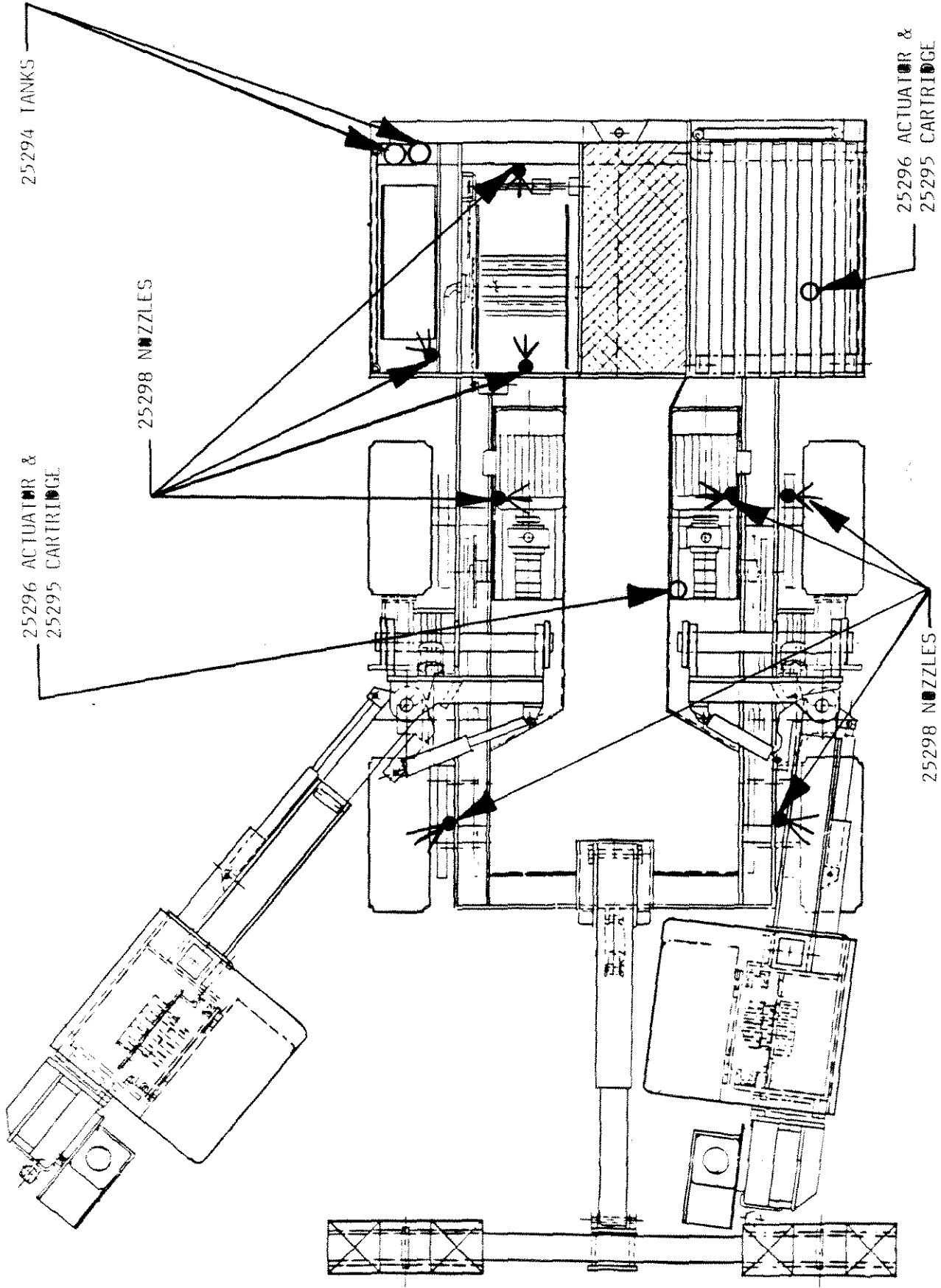
2-23-66

R

J. H. FLETCHER & CO.

707 WEST 7TH STREET

HUNTINGTON, W. VA.



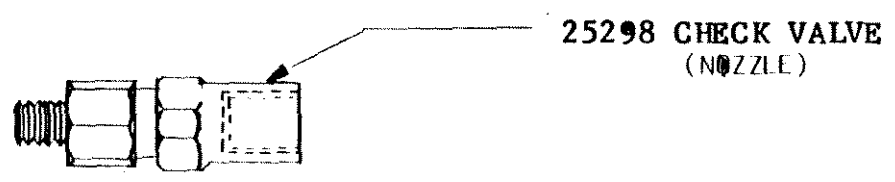
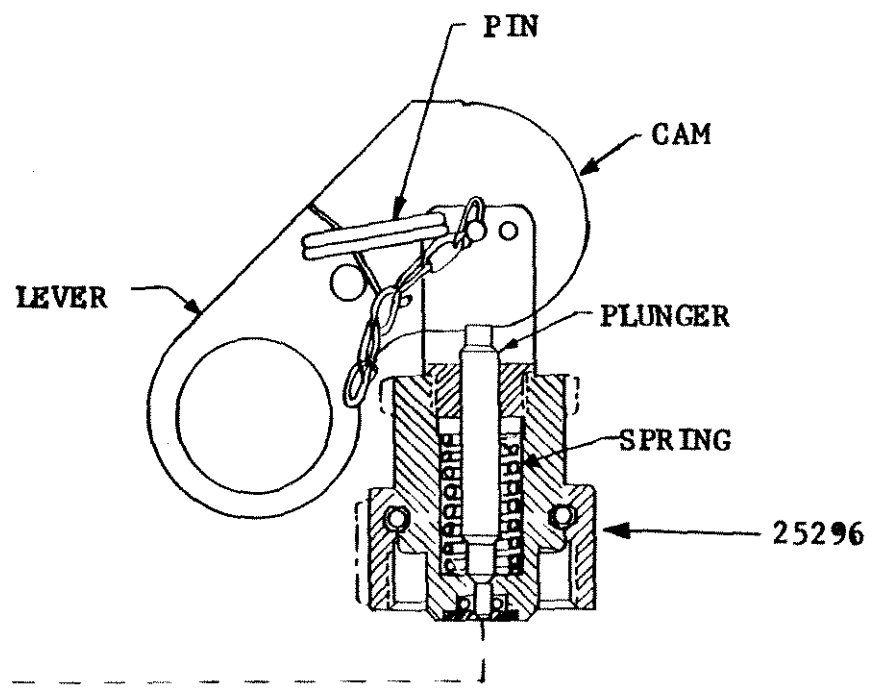
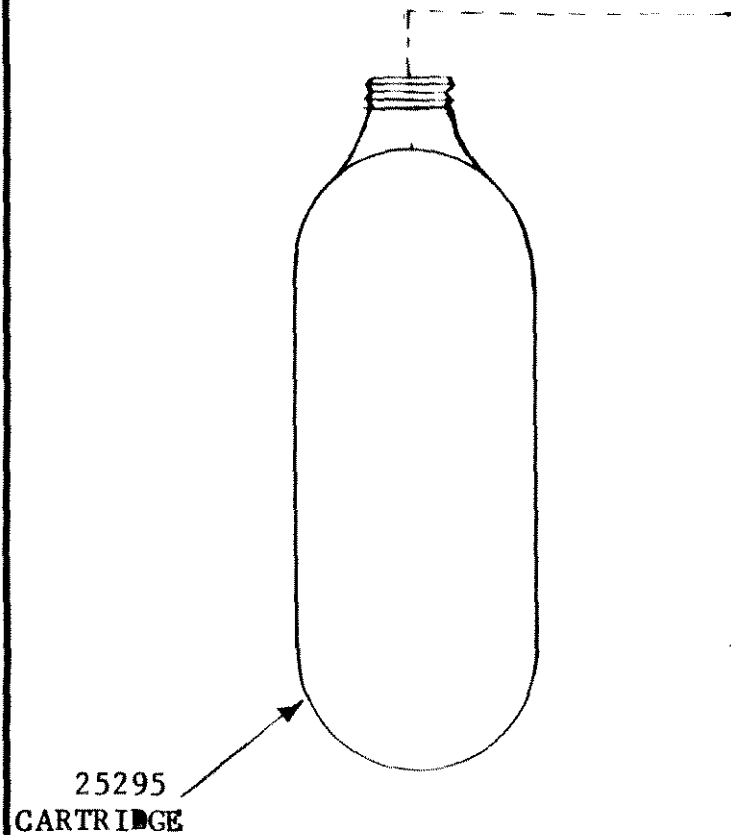
SHEET NO.

TITLE

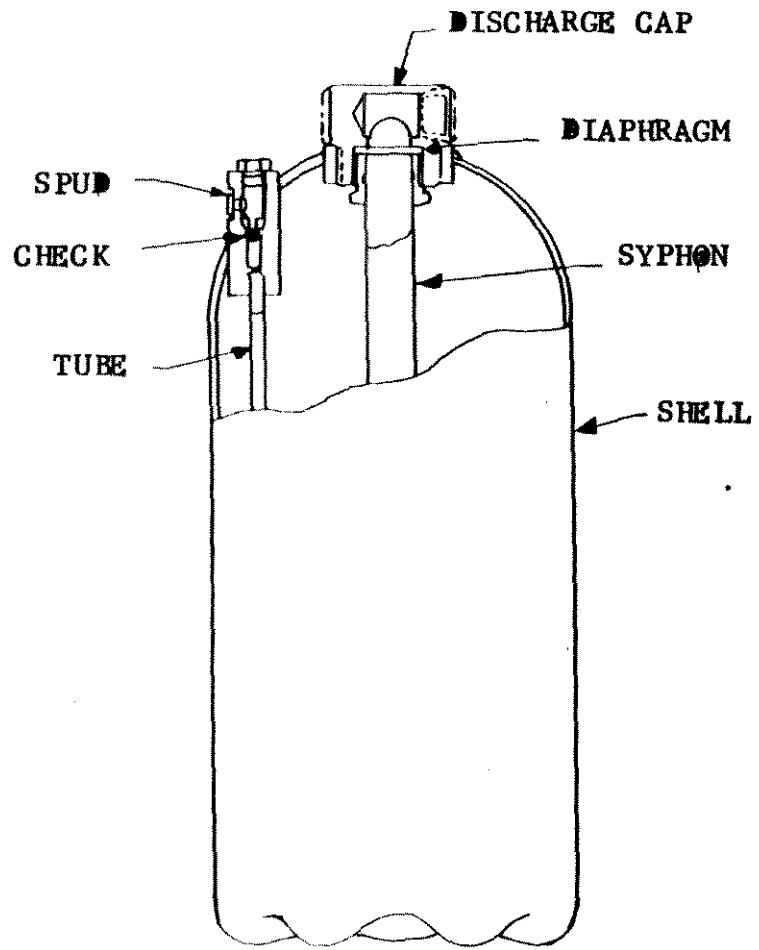
DATE

R

J. H. FLETCHER & CO.
707 WEST 7TH STREET
HUNTINGTON, W. VA.



SHEET NO.	TITLE KIDDE 20 POUND FIRE EXT. SYSTEM	DATE 8-25-76	R	J. H. FLETCHER & CO. 707 WEST 7TH STREET HUNTINGTON, W. VA.
-----------	--	-----------------	---	--



NOTE: INDIVIDUAL PARTS ARE NOT AVAILABLE OR RECOMMENDED FOR FIELD SERVICE

EXTINGUISHER 25294

25299 ALL ITEMS ON BOTH SHEETS

PAGE 1 OF 2

SHEET NO.	TITLE KIDDE 20 POUND FIRE EXT. SYSTEM	DATE 8-25-76	R J. H. FLETCHER & CO. 707 WEST 7TH STREET HUNTINGTON, W. VA.
-----------	--	-----------------	---