

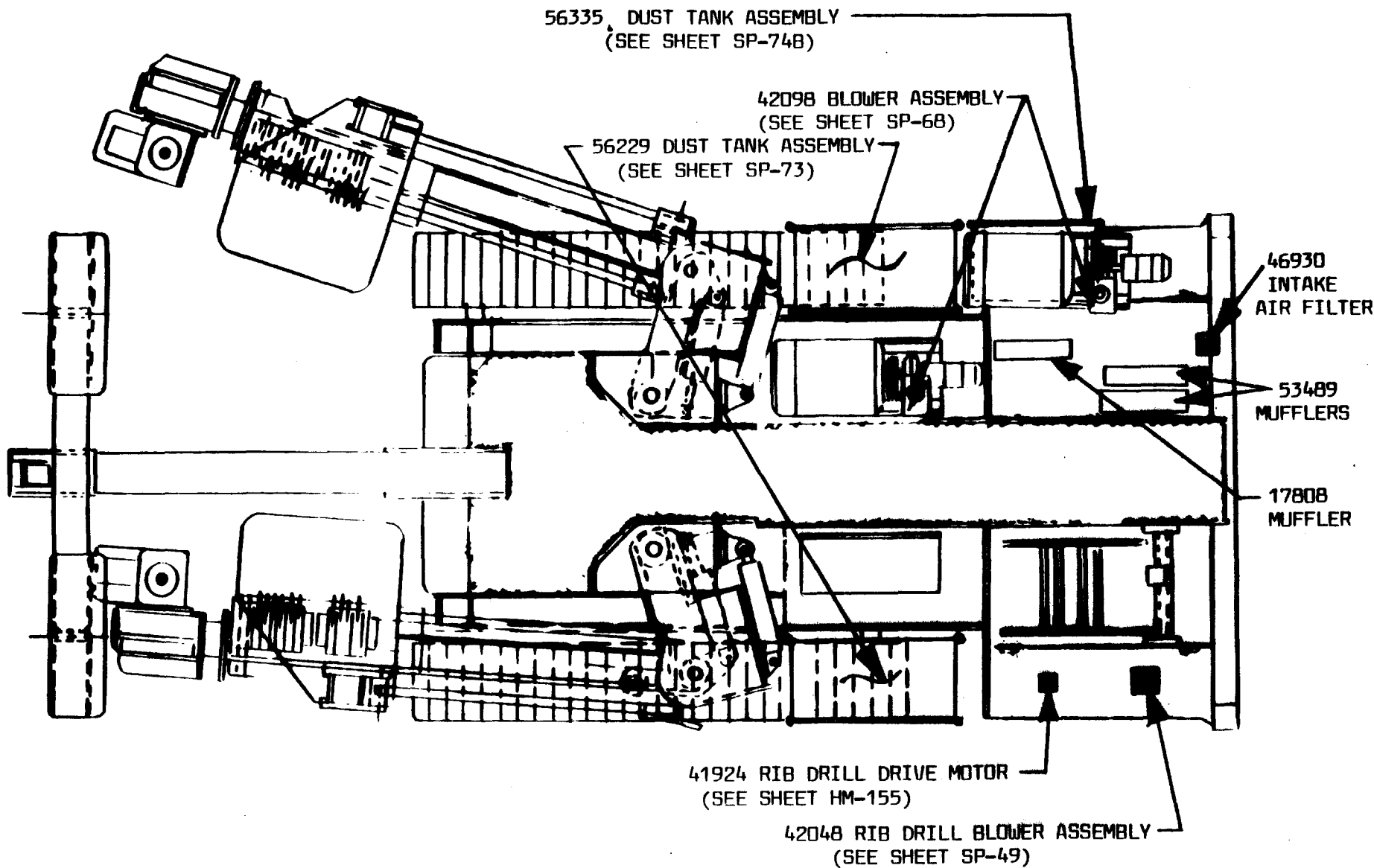
SHEET NO.

#1 THRU #4 TITLE
LOCATIONS FOR DUST COLLECTION SYSTEM

DATE

R

J. N. FLETCHER & CO.
707 WEST 7TH STREET HUNTINGTON, W. VA



SHEET NO.

#5 & #6

TITLE

LOCATIONS FOR DUST COLLECTION SYSTEM

DATE

R

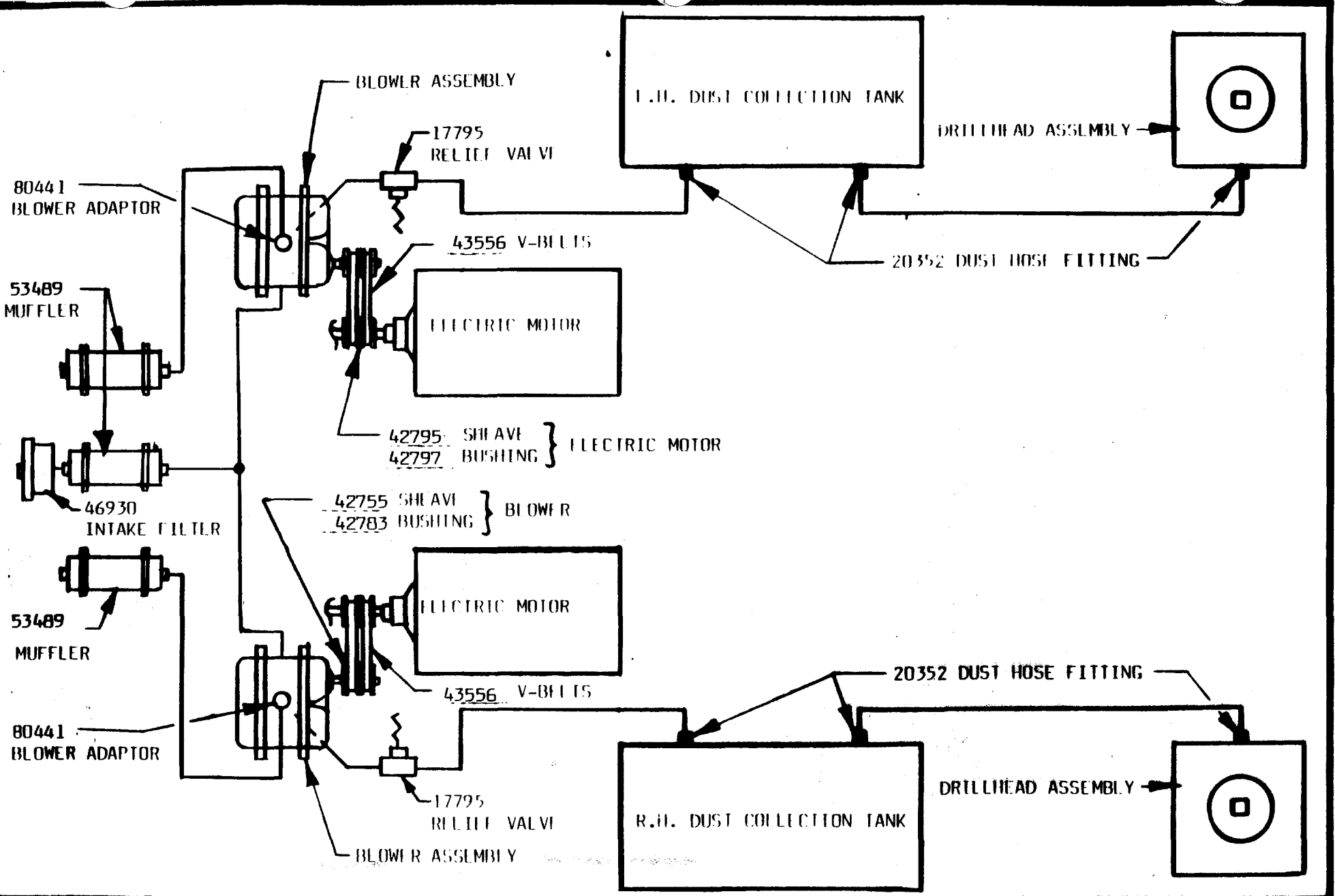
J. N. FLETCHER & CO.

707 WEST 7TH STREET

HUNTINGTON, W VA

INDEX FOR DUST COLLECTION SYSTEM

<u>DESCRIPTION</u>	<u>PART NO.</u>	<u>SHEET NO.</u>	<u>NO. REQ'D</u>
DUST COLLECTION CIRCUIT			
RIB DRILL BLOWER DRIVE MOTOR MOUNT	45506	HY-36	1
RIB DRILL BLOWER DRIVE MOTOR	41924	HM-155	1
ELECTRIC MOTOR, PUMP, & BLOWER MOUNT		MY-176	2
BLOWER MOUNTING ARRANGEMENT	45629	MY-468	2
RIB DRILL BLOWER MOUNT	45649	MY-468	1
RIB DRILL BLOWER ASSEMBLY	42048	SP-49	1
BLOWER ASSEMBLY	42098	SP-68	2
DUST TANK ASSEMBLY	56229	SP-73	2
DUST TANK ASSEMBLY	56335	SP-74B	1



SHEET NO.

TITLE

DATE

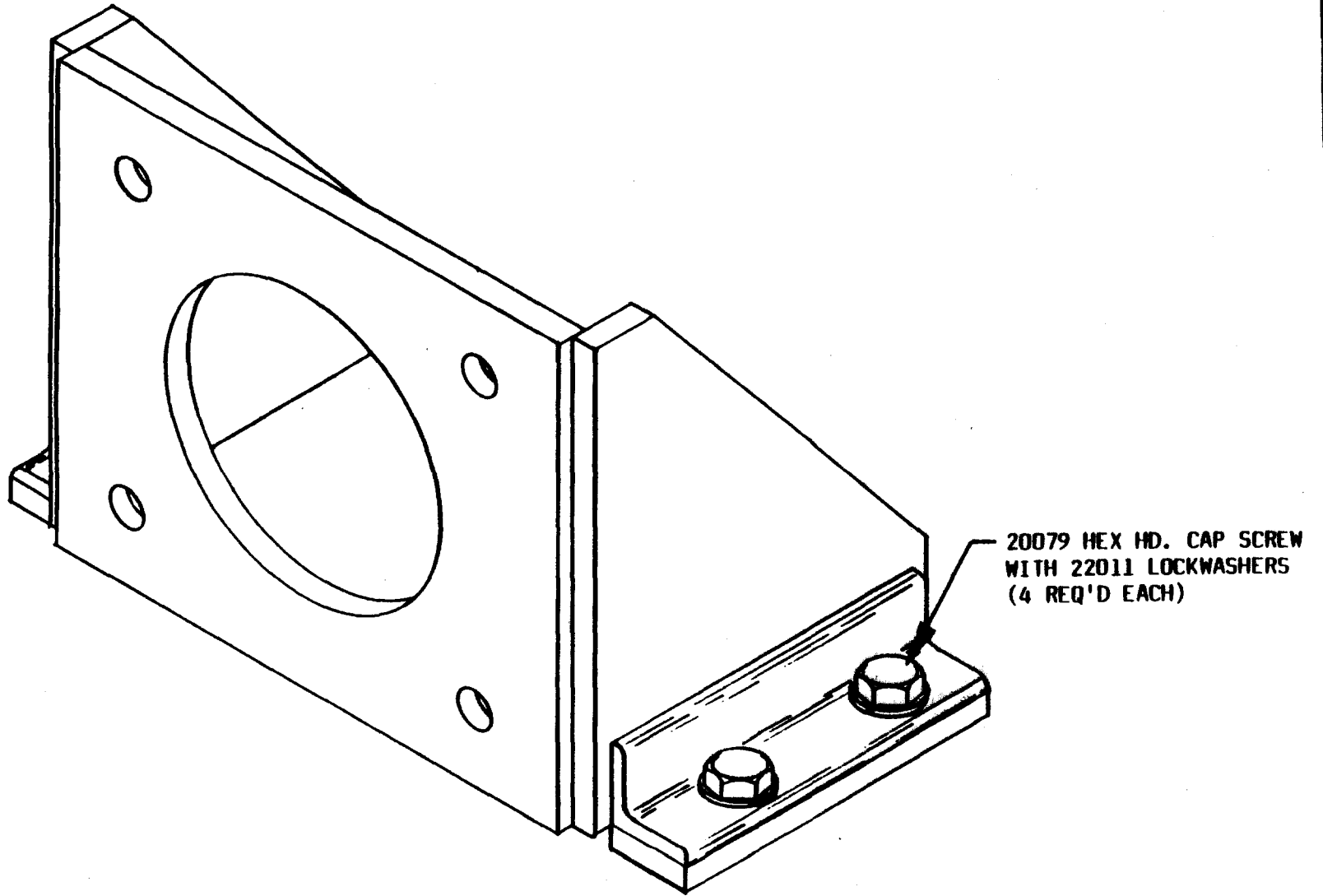
R

DUST COLLECTION CIRCUIT

J. N. FLETCHER & CO.

707 WEST 7TH STREET

HUNTINGTON, W. VA.



SHEET NO.

HY-36

TITLE

45506 RIB DRILL BLOWER DRIVE MOTOR MOUNT

DATE

8/11/83

R

J. W. FLETCHER & CO.

707 WEST 7TH STREET

HUNTINGTON, W. VA.

SHEET NO.

HM-155

TITLE

HYDRAULIC MOTOR

DATE

5-30-90

R

J. N. FLETCHER & CO.

707 WEST 7TH STREET

MONTICELLO, W. VA.

41924

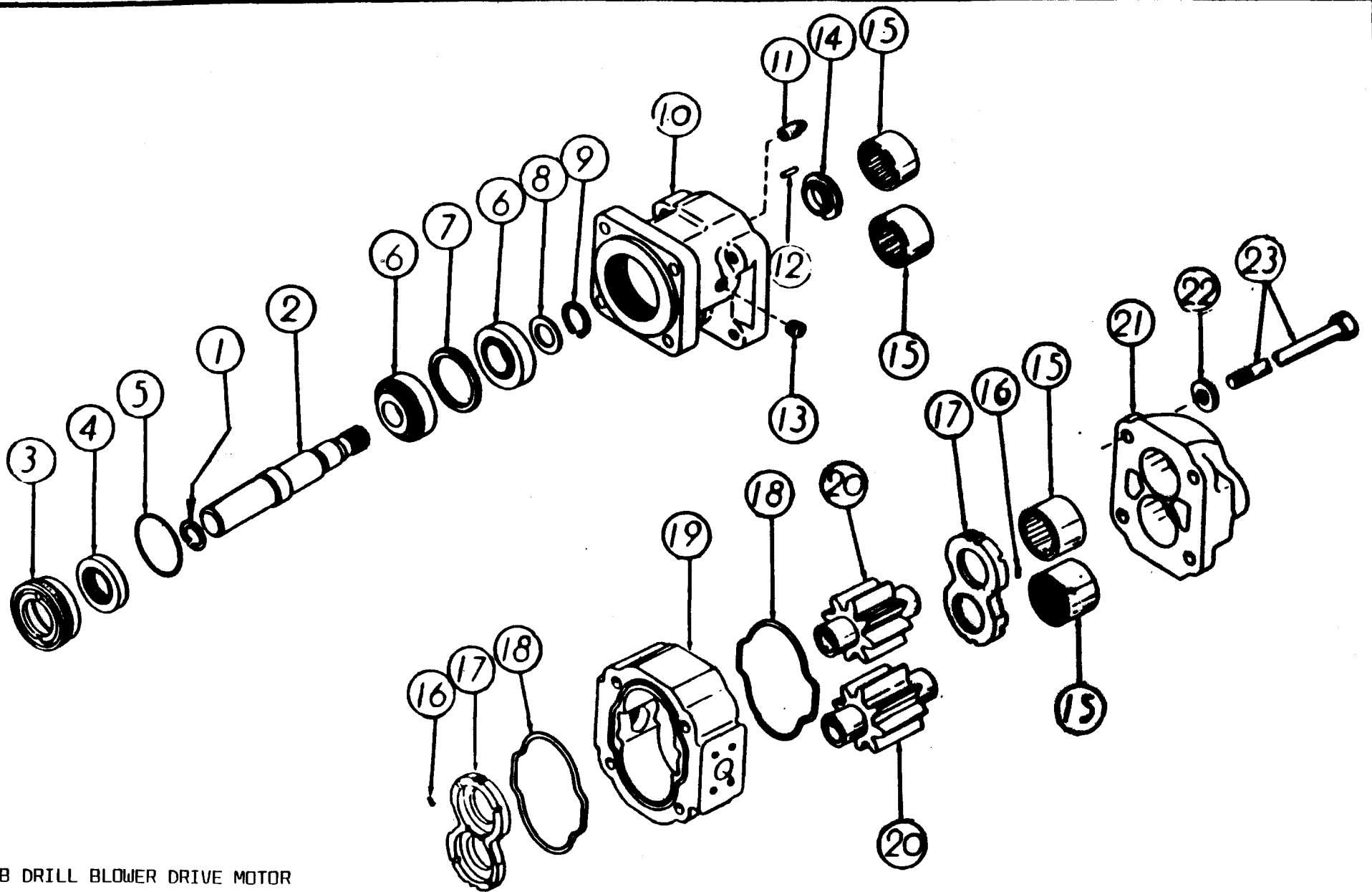
<u>ITEM</u>	<u>PART NO.</u>	<u>DESCRIPTION</u>	<u>NO. REQ'D.</u>
1.	2442	SNAP RING	1
2.	30588	SHAFT	1
3.	23045	RETAINING RING	1
4.	24250	HI-PRESSURE SEAL	1
5.	402	"O" RING SEAL	1
6.	40008	ROLLER BEARING	2
7.	21504	BEARING SPACER	1
8.	21505 (**)	SPACER	1
9.	1316	SNAP RING	1
10.	47001	SHAFT END COVER	1
11.	23048	CHECK ASSEMBLY	2
12.	30397	ROLL PIN	1
13.	20267	PLUG	1
14.	40255	SHAFT BUSHING	1
15.	40009	NEEDLE BEARING	4
16.	21266	POCKET SEAL	12
17.	23035	THRUST PLATE	2
18.	409	"O" RING SEAL	2
19.	47253	GEAR HOUSING	1
20.	41254	GEAR SET	1
21.	47460	PORT END COVER	1
22.	22035	WASHER	4
23.	34234	BOLT	2

(**) IF THIS SPACER DOES NOT ALLOW THE BEARING RING TO FIT THE SLOT USE 21506 SPACER

NOTE: BULKHEAD FITTINGS USED ON MOTOR ARE:

20382 45 degree
20379 90 degree

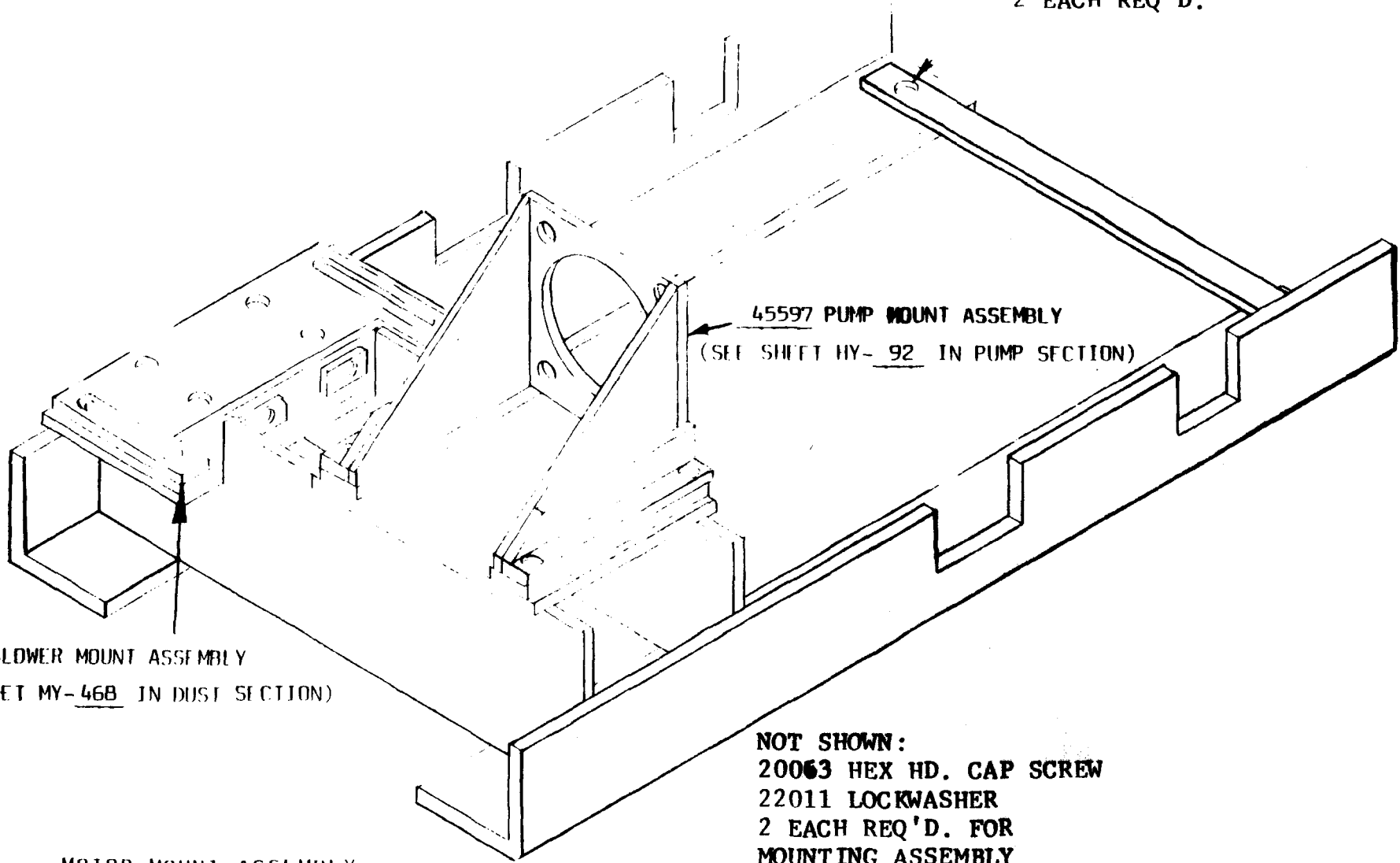
NOT SHOWN: 23758 SHAFT KEY



RIB DRILL BLOWER DRIVE MOTOR

<p>SHEET NO. HM-155</p>	<p>TITLE 41924 HYDRAULIC MOTOR</p>	<p>DATE 5-30-90</p>	<p>R J. N. FLETCHER & CO. 707 WEST 7TH STREET HUNTINGTON, W. VA.</p>
------------------------------------	---	--------------------------------	--

20084 HEX HD. CAP SCREW
 22011 LOCKWASHER
 2 EACH REQ'D.



45597 PUMP MOUNT ASSEMBLY
 (SEE SHEET HY-92 IN PUMP SECTION)

45629 BLOWER MOUNT ASSEMBLY
 (SEE SHEET MY-468 IN DUST SECTION)

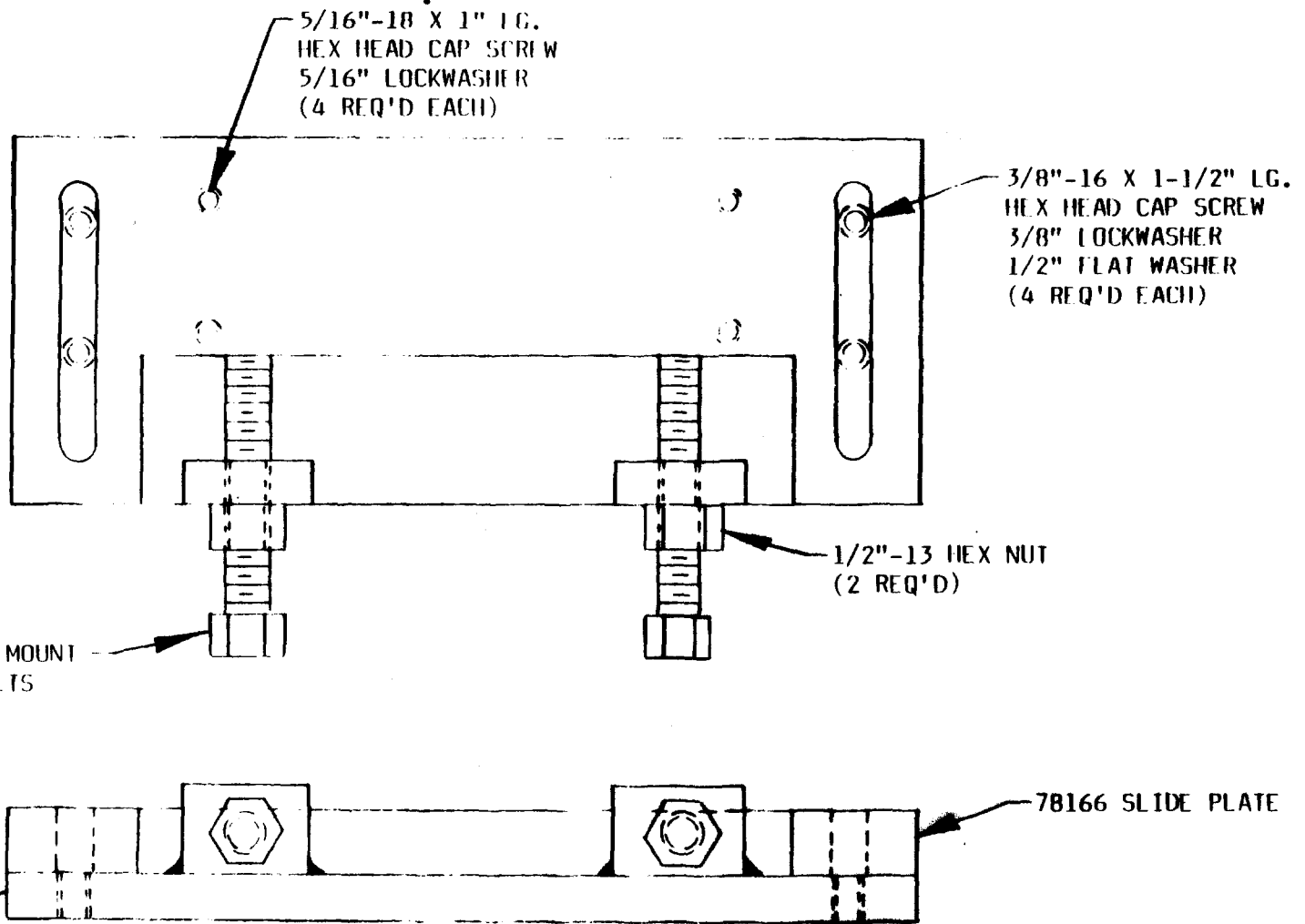
NOT SHOWN:
 20063 HEX HD. CAP SCREW
 22011 LOCKWASHER
 2 EACH REQ'D. FOR
 MOUNTING ASSEMBLY

85754 MOTOR MOUNT ASSEMBLY

<p>SHEET NO. MY-176</p>	<p>TITLE ELECTRIC MOTOR, PUMP, & BLOWER MOUNTING ARRANGEMENT</p>	<p>DATE 3-11-74</p>	<p>R J. H. FLETCHER & CO. <small>707 WEST 7TH STREET HUNTINGTON, W. VA.</small></p>
-----------------------------	--	-------------------------	---

NOT SHOWN:

5/16"-18 X 1-1/2" LG.
HEX HEAD CAP SCREW
5/16"-18 HEX NUT
5/16" LOCKWASHER
(4 REQ'D EACH)
USED TO MOUNT BLOWER
TO BLOWER FEET.



NOTE: THIS MOUNT USED WHEN THE BLOWER
MOUNTS ON LEFT OF MOTOR VIEWING
FROM SHAFT END.

SHEET NO.

MY-468

TITLE

45629 PUSHER BLOWER MOUNT ASSEMBLY

DATE

3/18/81

R

J. N. FLETCHER & CO.

707 WEST 7TH STREET

HUNTINGTON, W. VA.

NOT SHOWN:

5/16"-18 X 1-1/2" LG.
HEX HEAD CAP SCREW
5/16"-18 HEX NUT
5/16" LOCKWASHER
(4 REQ'D EACH)
USED TO MOUNT BLOWER
TO BLOWER FLET.

5/16"-18 X 1" LG.
HEX HEAD CAP SCREW
5/16" LOCKWASHER
(4 REQ'D EACH)

3/8"-16 X 1-1/2" LG.
HEX HEAD CAP SCREW
3/8" LOCKWASHER
1/2" FLAT WASHER
(4 REQ'D EACH)

1/2"-13 HEX NUT
(2 REQ'D)

88435 BLOWER MOUNT
ADJUSTING BOLTS
(2 REQ'D)

78166 SLIDE PLATE

166000 SLIDE BASE

NOTE: THIS MOUNT USED WHEN THE BLOWER
MOUNTS ON LEFT OF MOTOR VIEWING
FROM SHAFT END.

SHEET NO.

MY-468

TITLE

45649 PUSHER BLOWER MOUNT ASSEMBLY

DATE

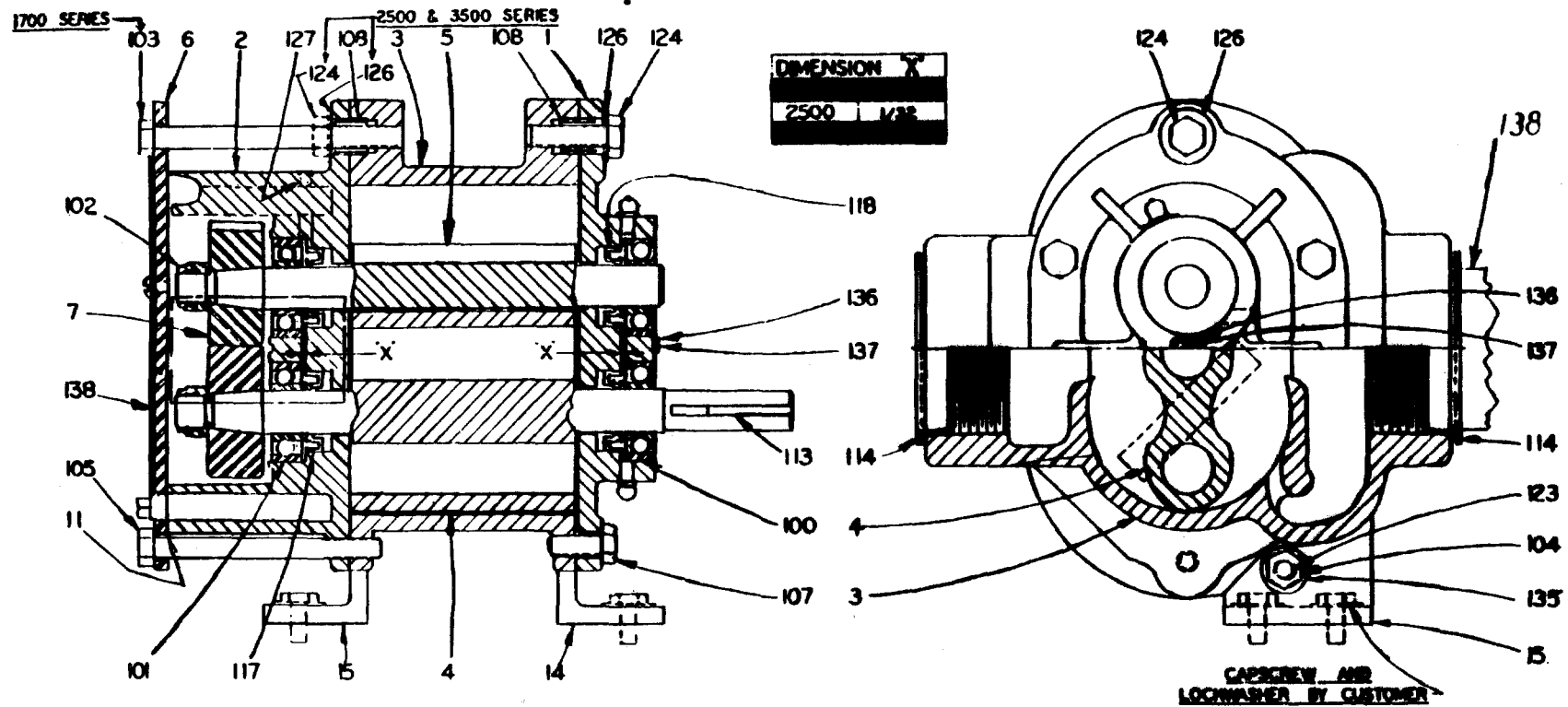
3/18/81

R

J. N. FLETCHER & CO.

707 WEST 7TH STREET

HUNTINGTON, W. VA.



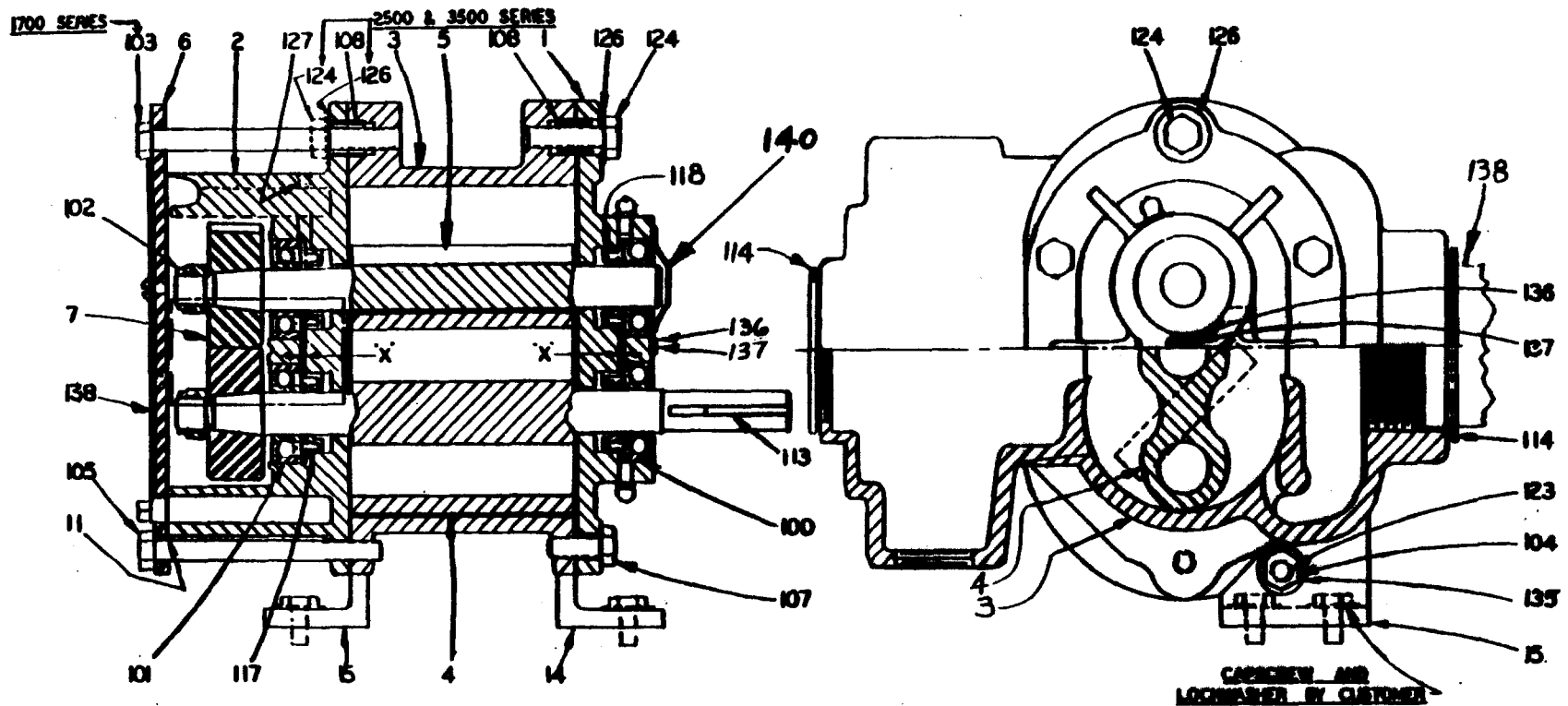
ITEM	PART NO.	NAME	ITEM	PART NO.	NAME	ITEM	PART NO.	NAME
1.	45316	HEADPLATE D.E.	100.	40159	BEARING	114.	45318	COVER
2.	45317	HEADPLATE G.E.	101.	40160	BEARING	117.	24358	SEAL G. E.
3.	42613	CYLINDER	102.	20889	NUT	118.	24359	SEAL D.E.
4.	30687	IMP & SHAFT	103.	24852	SCREW	123.	24896	SCREW
5.	30688	IMP & SHAFT	104.	20890	NUT	124.	24857	SCREW
6.	47281	COVER	105.	24853	SCREW	126.	22135	WASHER
7.	47282	GEAR	106.	24854	SCREW	127.	23441	PLUG-EYELET
11.	30037	GASKET	107.	24855	SCREW	136.	23442	ARROW
14.	23439	FOOT RIGHT	108.	53368	SLEEVE	137.	24858	SCREW
15.	23440	FOOT LEFT	113.	23851	KEY	138.	80441	Adaptor

SHEET NO.
SP-49

TITLE
42048 ROOTS BLOWER

DATE
6-2-71

R
J. N. FLETCHER & CO.
707 WEST 7TH STREET HUNTINGTON, W. VA.



ITEM	PART #	NAME
139	31169	JET INTAKE MANIFOLD
140	53747	BEARING COVER

ITEM	PART NO.	NAME	ITEM	PART NO.	NAME	ITEM	PART NO.	NAME
1.	45316	HEADPLATE D.E.	100.	40159	BEARING	114.	45318	COVER
2.	45317	HEADPLATE G.E.	101.	40160	BEARING	117.	24368	SEAL G. E.
3.	48493	CYLINDER	102.	20889	NUT	118.	24369	SEAL D.E.
4.	30687	IMP & SHAFT	103.	24852	SCREW	123.	24856	SCREW
5.	30688	IMP & SHAFT	104.	20890	NUT	124.	24857	SCREW
6.	47281	COVER	105.	24853	SCREW	126.	22135	WASHER
7.	47282	GEAR	106.	24854	SCREW	127.	23441	PLUG-EYELET
11.	30037	GASKET	107.	24855	SCREW	136.	23442	ARROW
14.	23439	FOOT RIGHT	108.	53368	SLEEVE	137.	24858	SCREW
15.	23440	FOOT LEFT	113.	23851	KEY	138.	80441	Adaptor

SHEET NO.

SP-68

TITLE

42098 ROOTS BLOWER ASSEMBLY

DATE

10/6/81

R

J. N. FLETCHER & CO.

707 WEST 7TH STREET

HUNTINGTON, W. VA.

SHEET NO.

TITLE

DATE

R

J. N. FLETCHER & CO.

707 WEST 7TH STREET

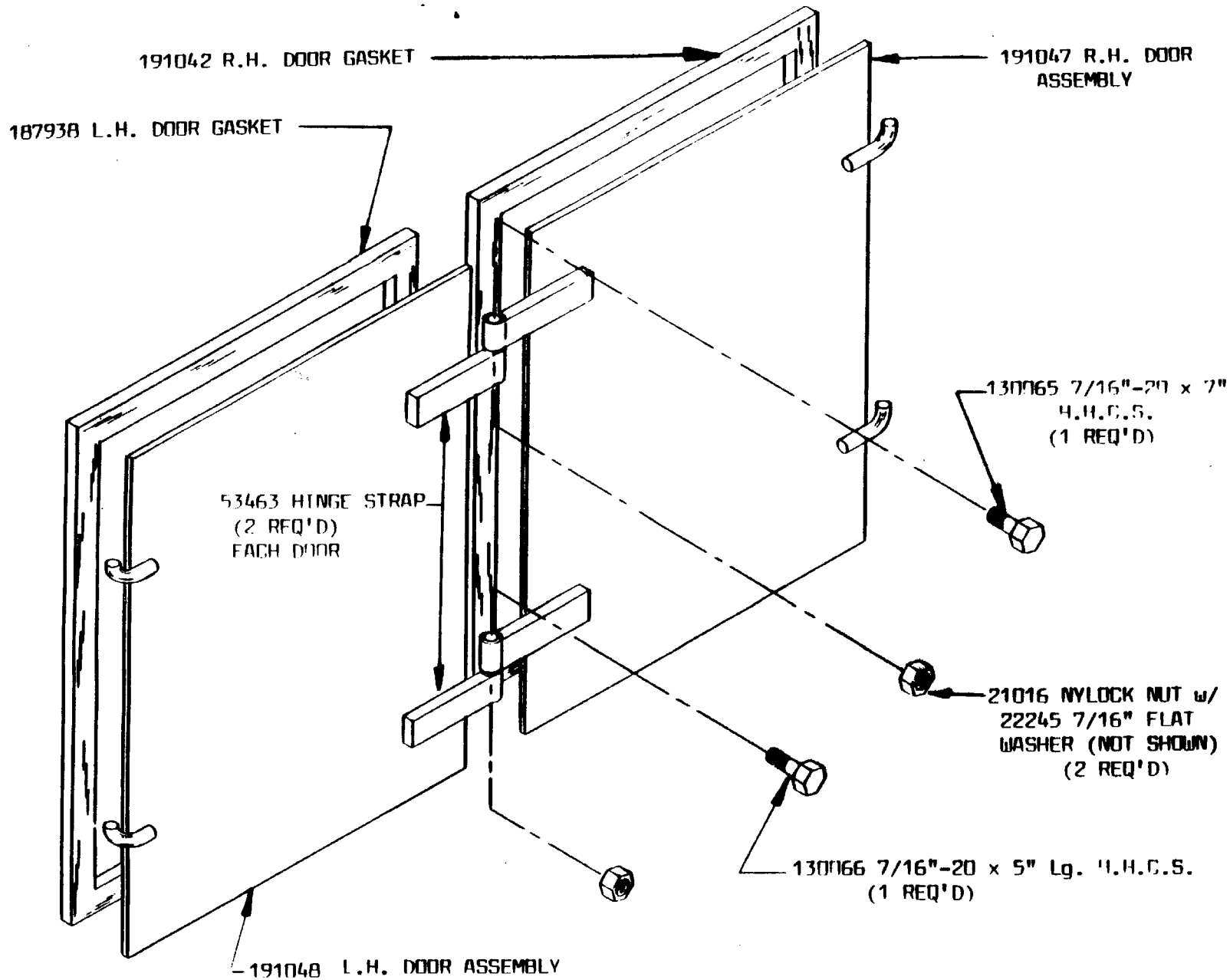
HUNTINGTON W VA

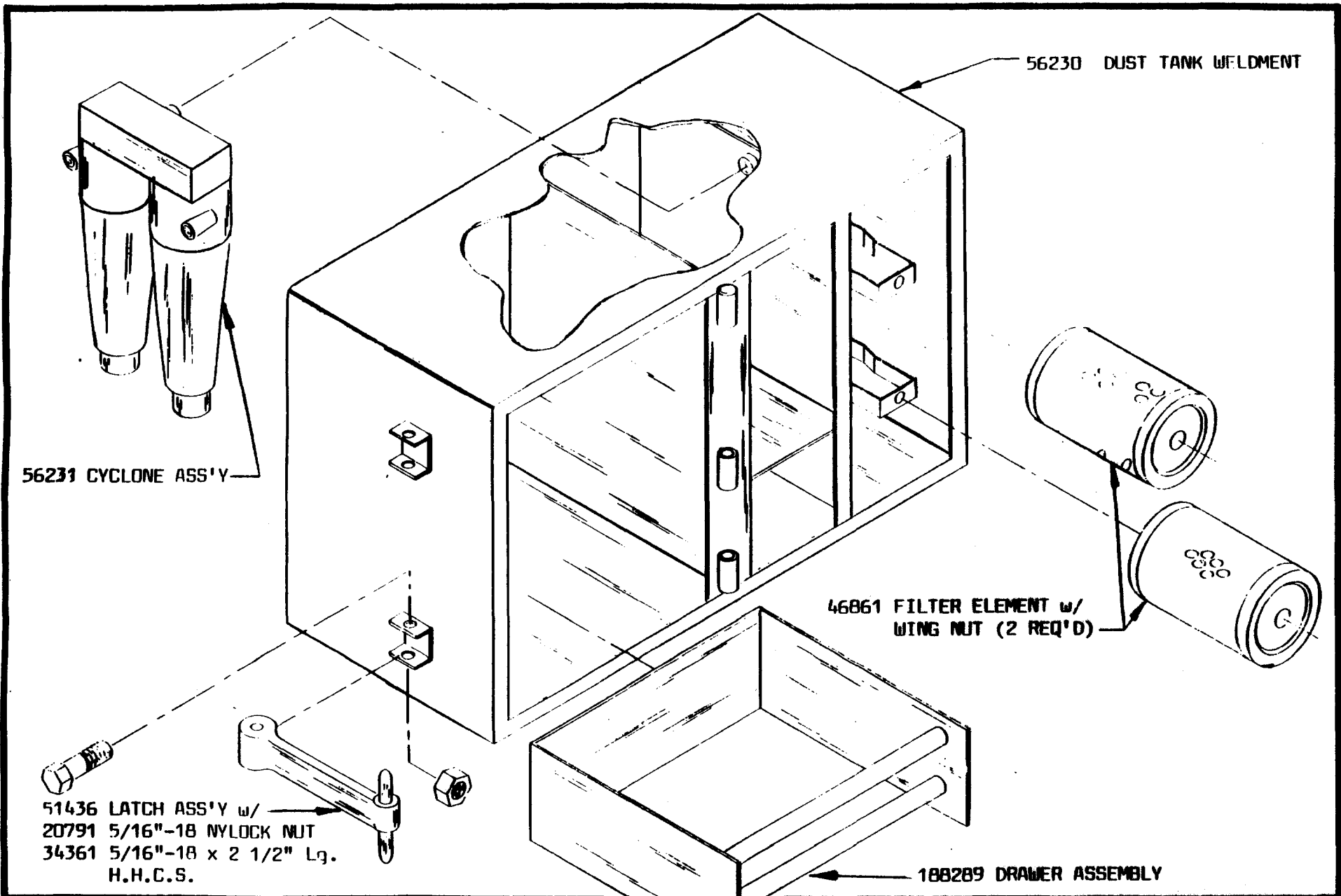
SP-73

56229

DUST TANK ASSEMBLY

5-11-87





56231 CYCLONE ASS'Y

56230 DUST TANK WFLDMENT

46861 FILTER ELEMENT w/
WING NUT (2 REQ'D)

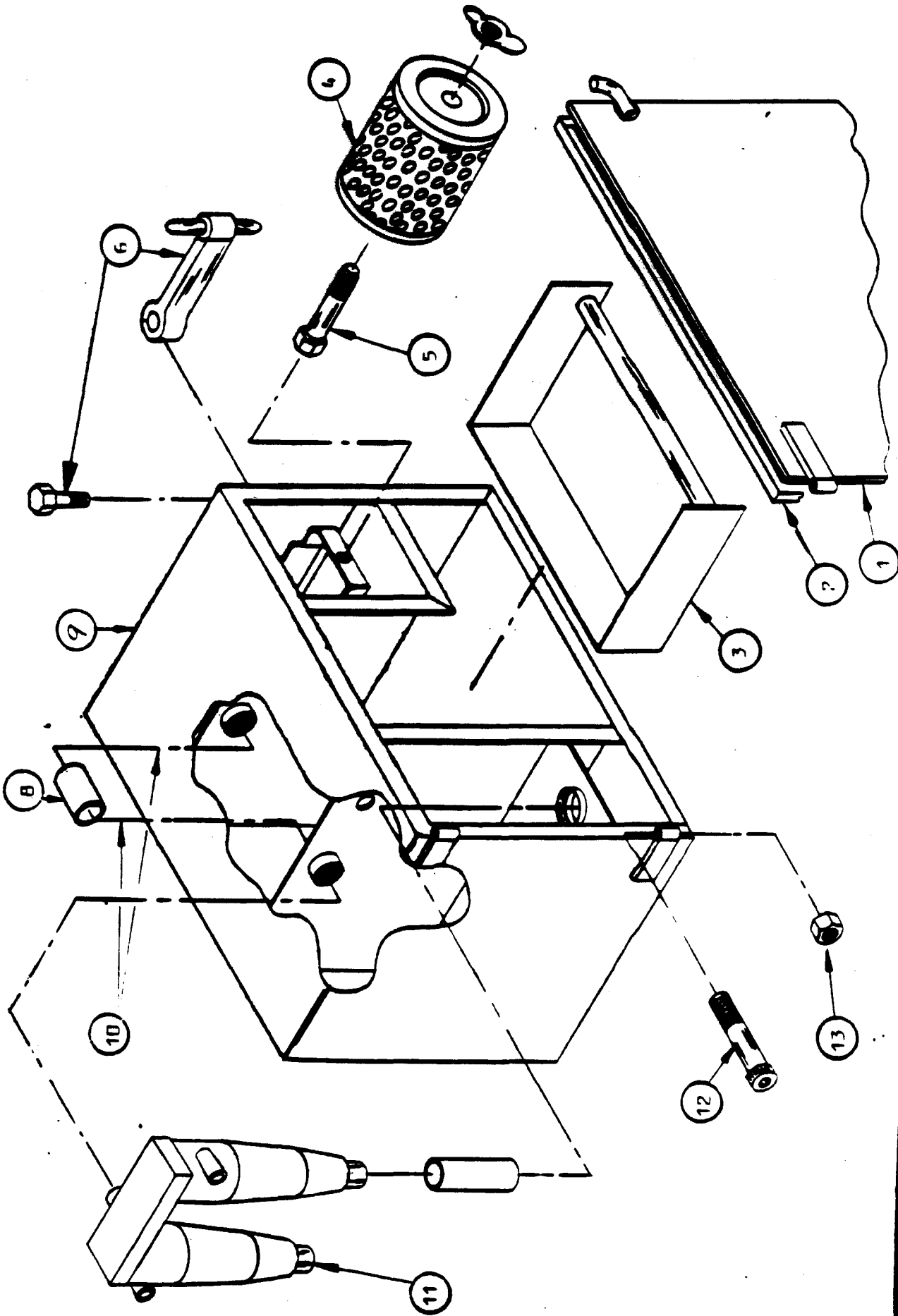
188289 DRAWER ASSEMBLY

51436 LATCH ASS'Y w/
20791 5/16"-18 NYLOCK NUT
34361 5/16"-18 x 2 1/2" Lg.
H.H.C.S.

<p>SHEET NO. SP-73</p>	<p>TITLE #7 thru #6 56229 DUST TANK ASSEMBLY</p>	<p>DATE 5-11-87</p>	<p>R J. N. FLETCHER & CO. 707 WEST 7TH STREET HUNTINGTON, W. VA.</p>
----------------------------	--	-------------------------	---

SHEET NO.	TITLE	DATE	R	J. N. FLETCHER & CO. 707 WEST 7TH STREET HUNTINGTON W VA
SP-74-B	56335 DUST TANK ASSEMBLY	4-30-87		

<u>ITEM</u>	<u>PART NO.</u>	<u>DESCRIPTION</u>	<u>NO. REQ'D</u>
1.	56251	DOOR ASSEMBLY	1
2.	188012	DOOR GASKET ASSEMBLY	1
3.	188586	DRAWER ASSEMBLY	1
4.	46861	FILTER ASSEMBLY w/WINGNUT	1
5.		3/8"-16 x 5 1/2" Lg. (PART OF WELDMENT)	1
6.	51436	LATCH	2
7.	PART OF NUMBER 6	5/16"-18 x 2 1/2" Lg. w/NYLOCK NUT	2
8.	56263	2" ID. DUST HOSE	1
9.	56334	DUST TANK WELDMENT	1
10.	19009	HOSE CLAMP	2
11.	56272	CYCLONE ASSEMBLY	1
12.	130064	7/16"-20 x 3" Lg. H.H.C.S.	2
13.	21016	7/16"-20 HEX NYLOCK NUT	2



SHEET NO.
SP-74-B

TITLE # 2 THREE 6
56335 DUST TANK ASSEMBLY

DATE
4-31-47

11

J. H. FLETCHER & CO.
707 WEST 7TH STREET
HUNTINGTON, W VA