

SHEET NO.

TITLE

DATE

R

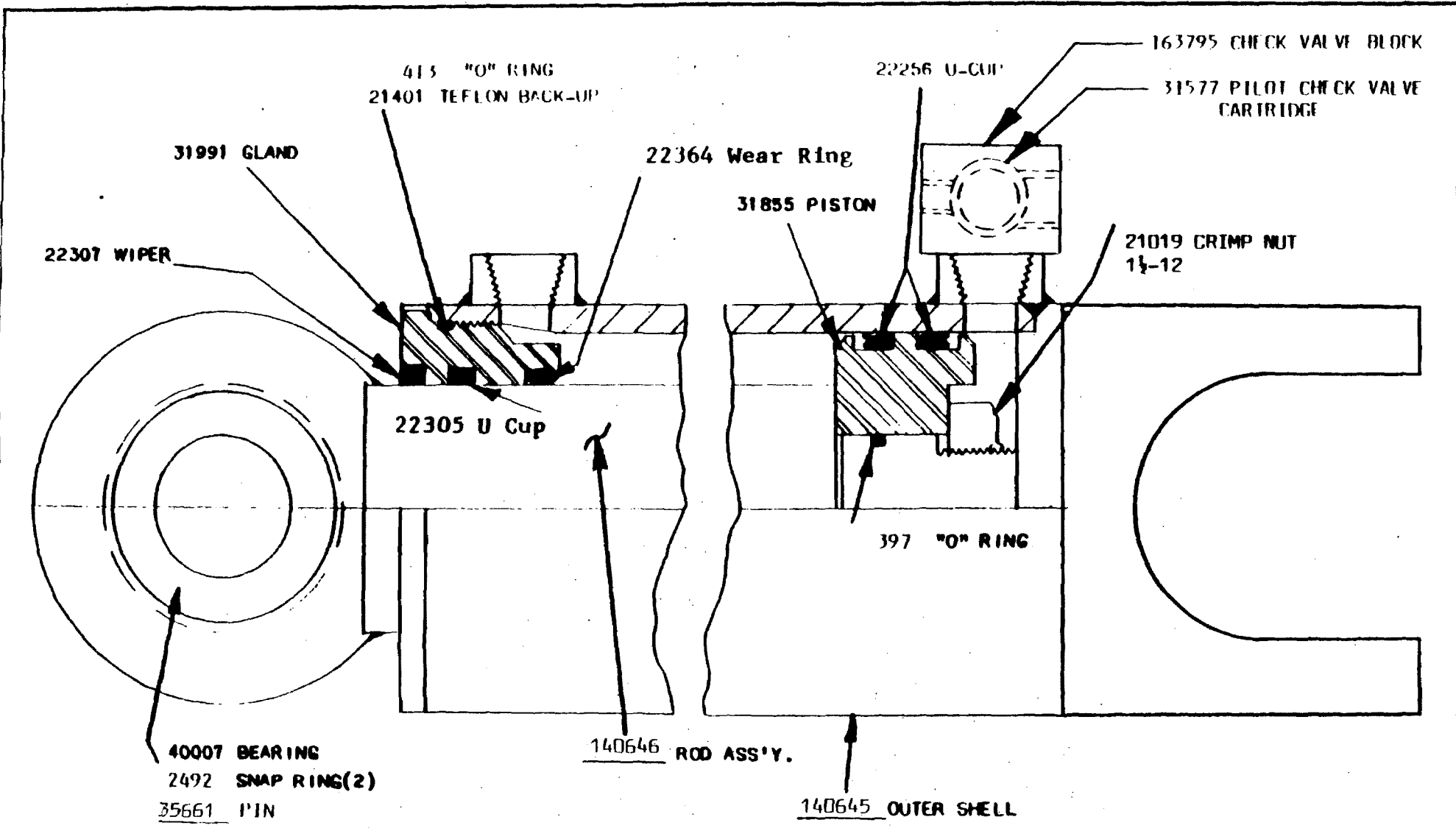
LOCATIONS FOR TRAM SYSTEM

**J. N. FLETCHER & CO.**  
707 WEST 7TH STREET HUNTINGTON, W VA

INDEX FOR TRAM SYSTEM

90022

<u>DESCRIPTION</u>	<u>PART NO.</u>	<u>SHEET NO.</u>	<u>NO. REQ'D</u>
FRONT & REAR LIFT CYLINDER	56517	HC-486	4
TRAM DRIVE MOTOR	41850	HM-91	2
TRAM DRIVE CHAIN & SPROCKET ARRANGEMENT		MA-200	2
TRAM MOTOR SPROCKET ASSEMBLY		MA-201	2
TRAM DRIVE COUNTERSHAFT ARRANGEMENT (FRONT)		MA-203	2
TRAM DRIVE COUNTERSHAFT ARRANGEMENT (REAR)		MA-204	2
WHEEL ASSEMBLY	53049	MA-222	4
WHEEL HUB ASSEMBLY	43944	MA-364	4
DISC BRAKE CALIPER ASSEMBLY	53777	MC-21	2
REAR LIFT ASSEMBLY	191935	MY-634	1
FRONT LIFT ASSEMBLY	192654	MY-636	1



FRONT & REAR LIFT CYLINDER

NOTE: 22421 PACKING KIT

SHEET NO. HC-486	TITLE 56517 HYDRAULIC CYLINDER ASSEMBLY	DATE 4/11/87	R	<b>J. N. FLETCHER &amp; CO.</b> 707 WEST 7TH STREET HUNTINGTON, W. VA.
---------------------	--	-----------------	---	--

SHEET NO.

HM-91

TITLE

41850 CHAR-LYNN MOTOR

DATE

8-2-73

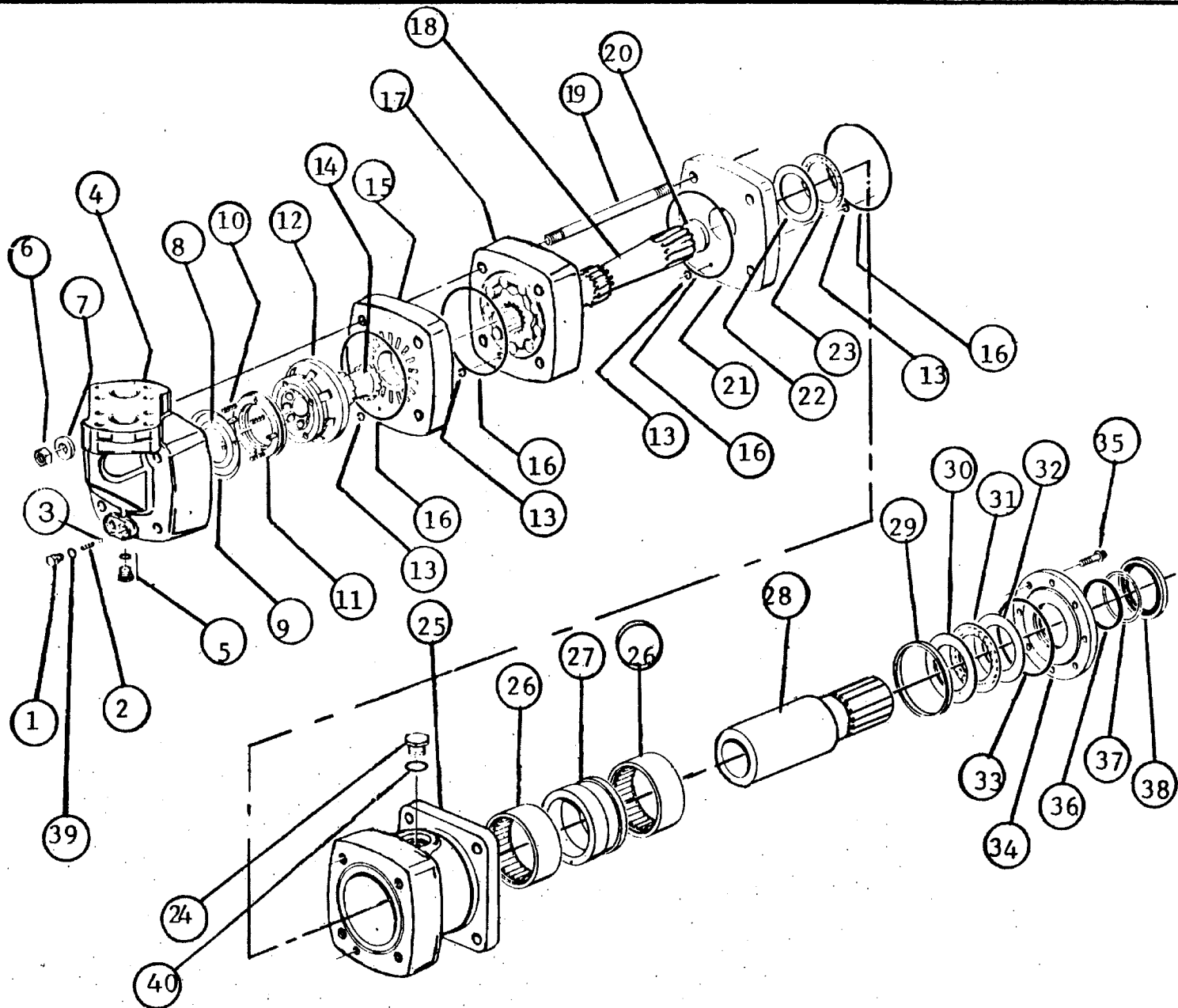
R

J. H. FLETCHER &amp; CO.

707 WEST 7TH STREET

HUNTINGTON, W. VA.

ITEM	PART NO.	DESCRIPTION	NO. REQ'D.	ITEM	PART NO.	DESCRIPTION	NO. REQ'D.
1.	20321	Plug	2	24.	20322	Plug	2
2.	22865	Spring	2	25.	23464	Bearing Housing	1
3.	23377	Ball	2	26.	40116	Bearing	2
4.	30931	Valve Housing	1	27.	21590	Bearing Spacer	1
5.	23465	Plug Assy.	1	28.	<del>30638</del>	Output Shaft	1
6.	20896	Nut	4	29.	21592	Bearing Spacer (front)	1
7.	22140	Lock Washer	4	30.	22114	Thrust Wash. (front)	1
8.	24325	Inner Face Seal	1	31.	40115	Thrust Brg. (front)	1
9.	24324	Outer Face Seal	1	32.	22113	Thrust Washer (front)	1
10.	22839	Spring	4	33.	21436	Front Retainer O-Ring	1
11.	23378	Balancing Plate Assy.	1	34.	23463	Front Retainer	1
12.	23466	Valve	1	35.	24882	Cap Screw	8
13.	24327	Seal	4	36.	24328	Shaft Seal	1
14.	23380	Valve Drive	1	37.	22141	Back-up Washer	1
15.	22467	Valve Plate	1	38.	24329	Dirt Seal	1
16.	24326	Seal	4	39.	21434	O-Ring	2
17.	41306	Geroler Assy.	1	40.	21435	O-Ring	2
18.	30635	Drive Shaft	1	41.	24335	Motor Seal Kit	1
19.	31835	Stud	4	42.	24336	Shaft Seal Kit	1
20.	21591	Drive Spacer	1				
21.	23462	Wear Plate	1				
22.	22111	Thrust Washer (rear)	1				
23.	40118	Thrust Bearing (rear)	1				



SHEET NO.  
HM-91

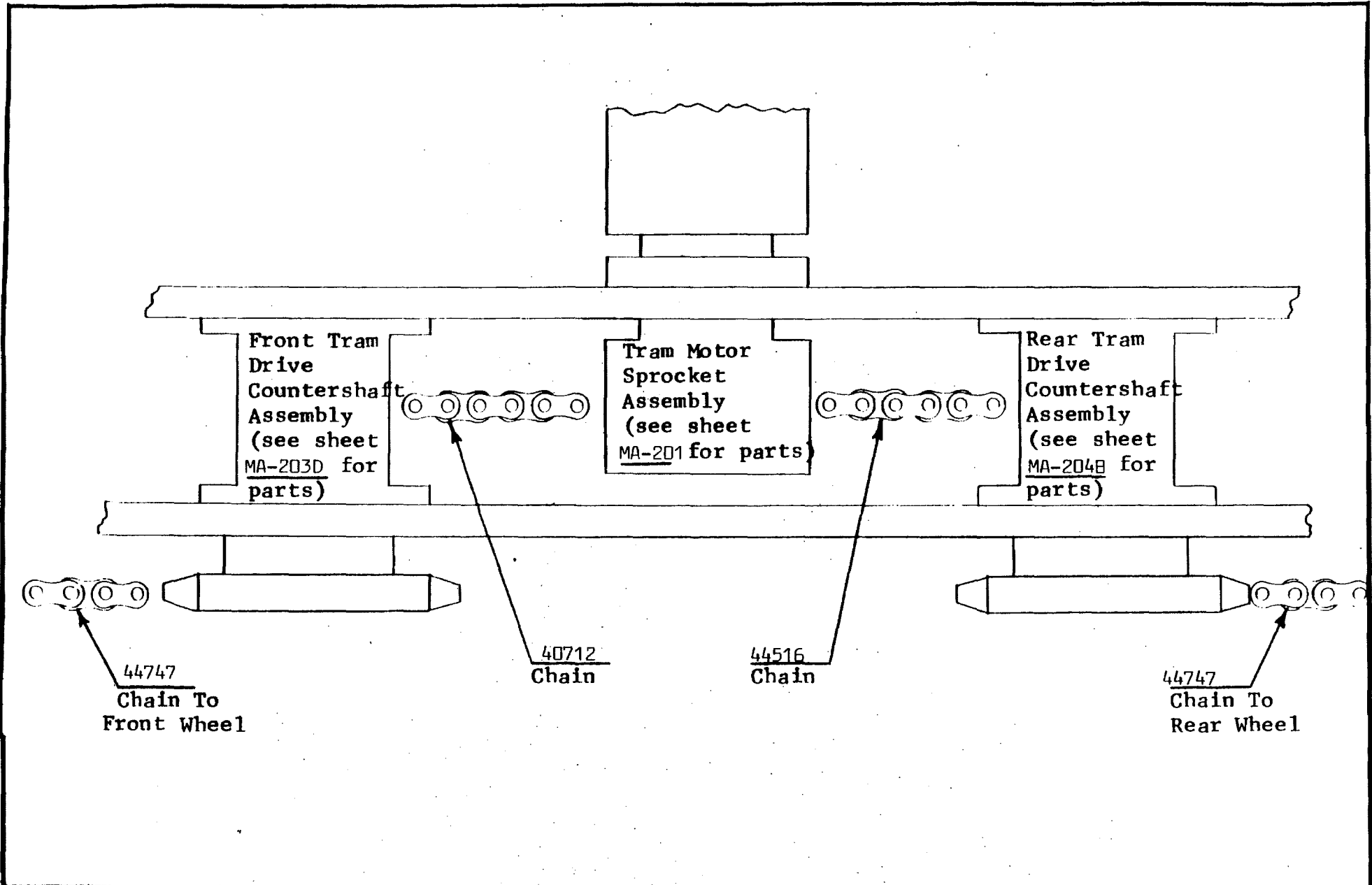
41850

TITLE  
CHAR-LYNN MOTOR

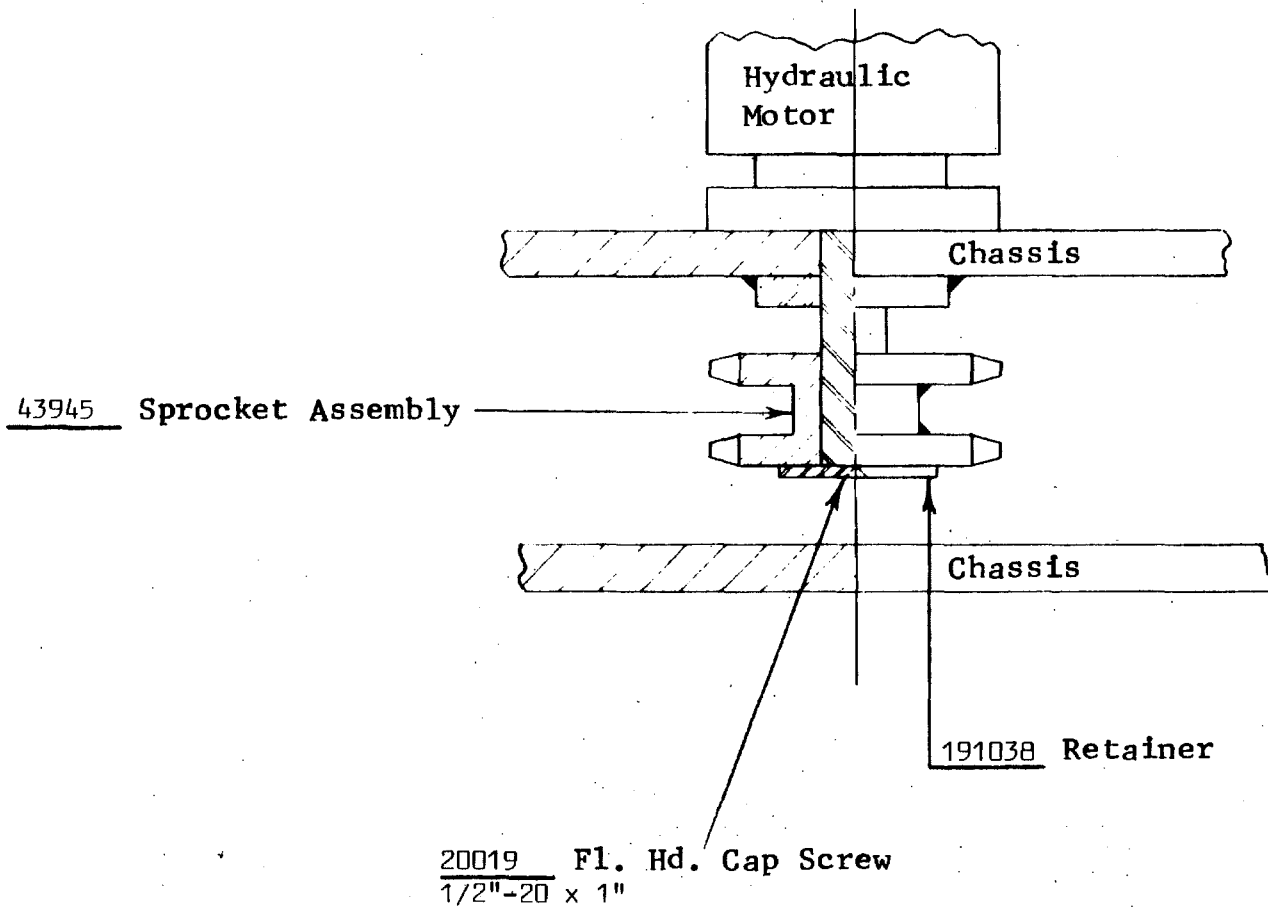
DATE  
8-2-73

R

J. H. FLETCHER & CO.  
707 WEST 7TH STREET  
HUNTINGTON, W. VA.



<p>SHEET NO. MA-200</p>	<p>TITLE Tram Drive Sprocket And Chain Assembly</p>	<p>DATE 11-21-73</p>	<p>R</p>	<p><b>J. H. FLETCHER &amp; CO.</b> 707 WEST 7TH STREET HUNTINGTON, W. VA.</p>
-----------------------------	---	--------------------------	----------	---



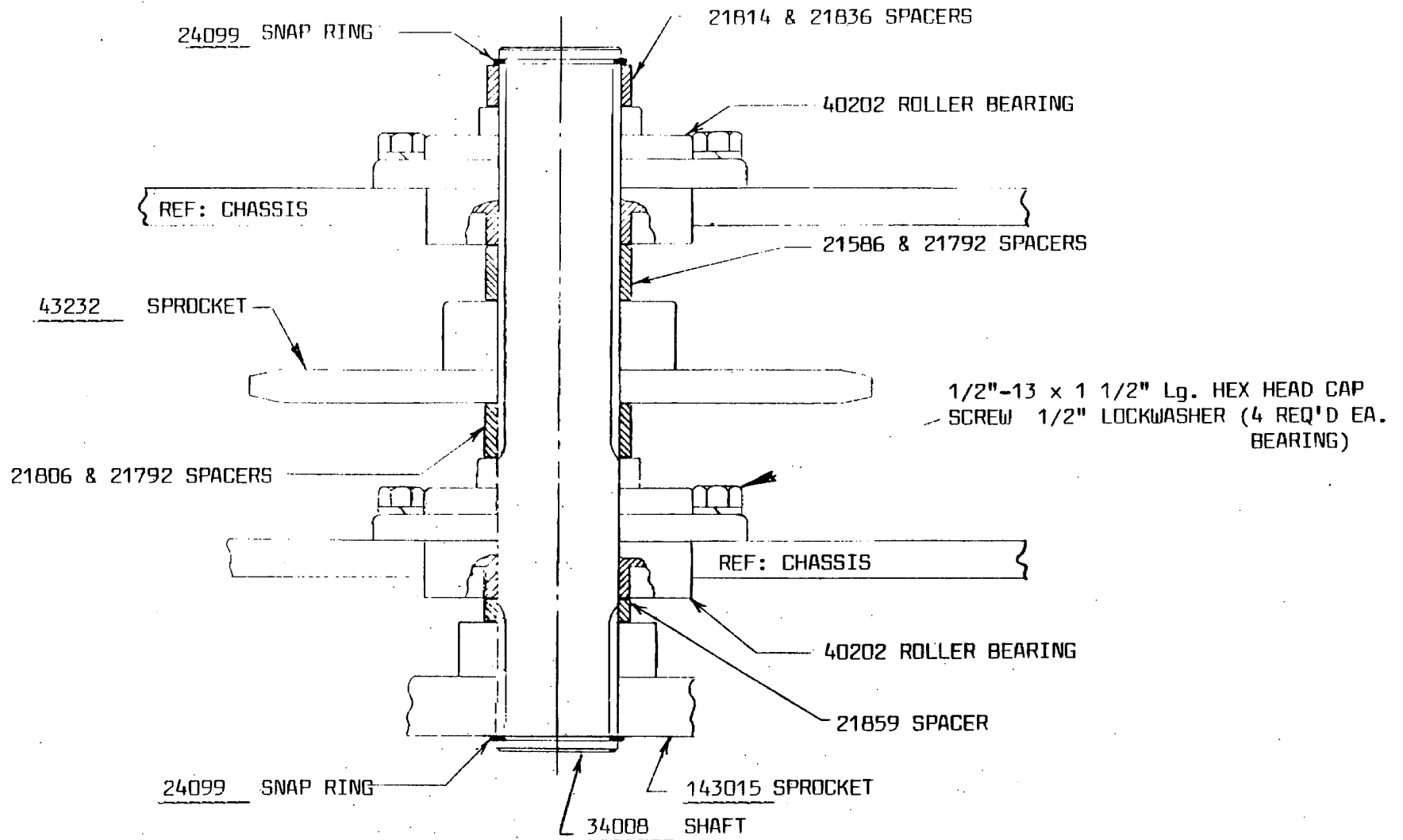
SHEET NO.  
MA-201

TITLE  
Tram Motor Sprocket Assembly

DATE  
11-21-73

R

J. H. FLETCHER & CO.  
707 WEST 7TH STREET HUNTINGTON, W. VA.



FRONT COUNTERSHAFT ARRANGEMENT

SHEET NO.

TITLE

DATE

R

MA-203D

TRAM DRIVE COUNTERSHAFT ARRANGEMENT

10-27-87

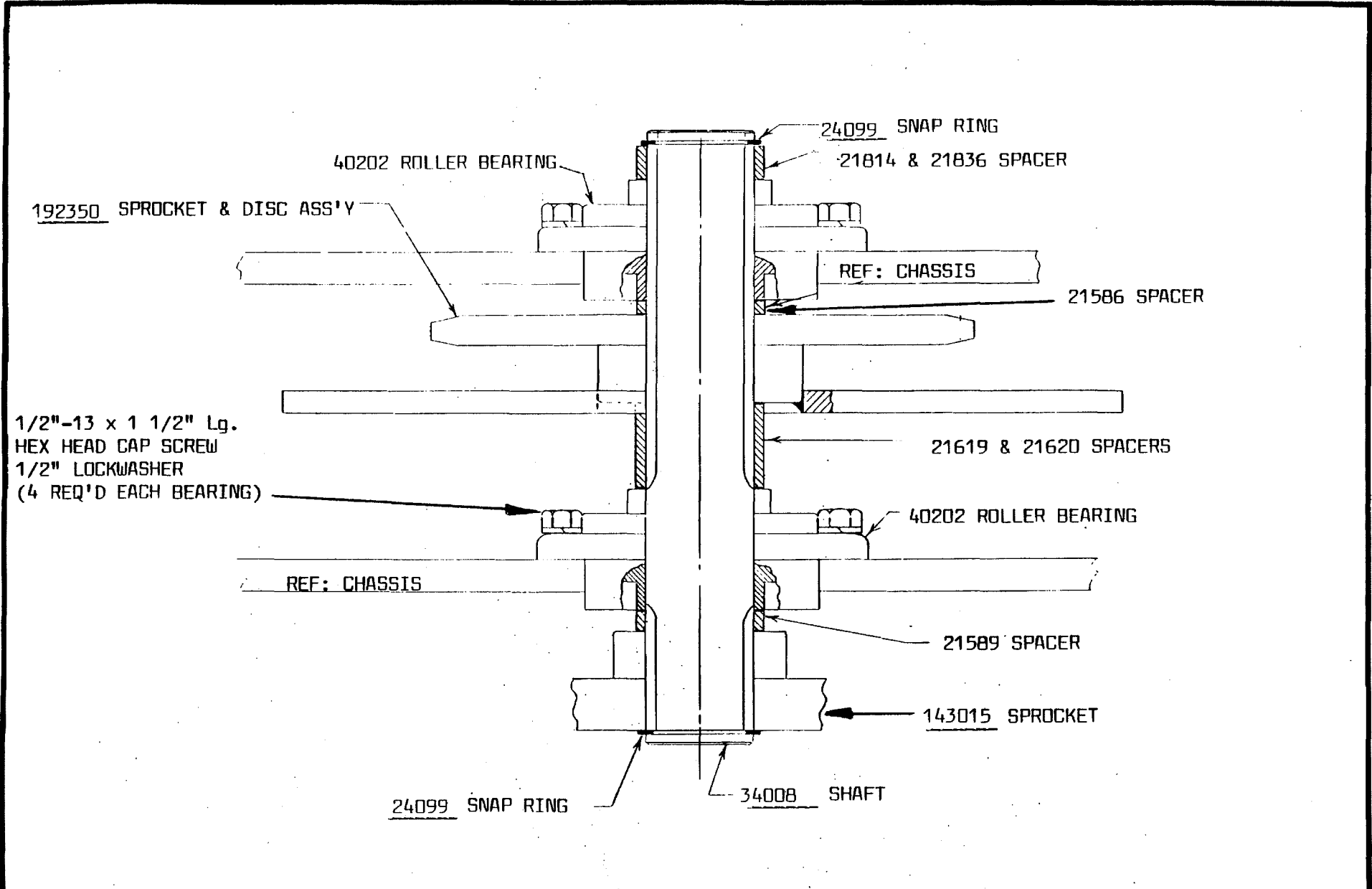
**J. N. FLETCHER & CO.**

707 WEST 7TH STREET

HUNTINGTON, W. VA.

39606





REAR COUNTERSHAFT ARRANGEMENT

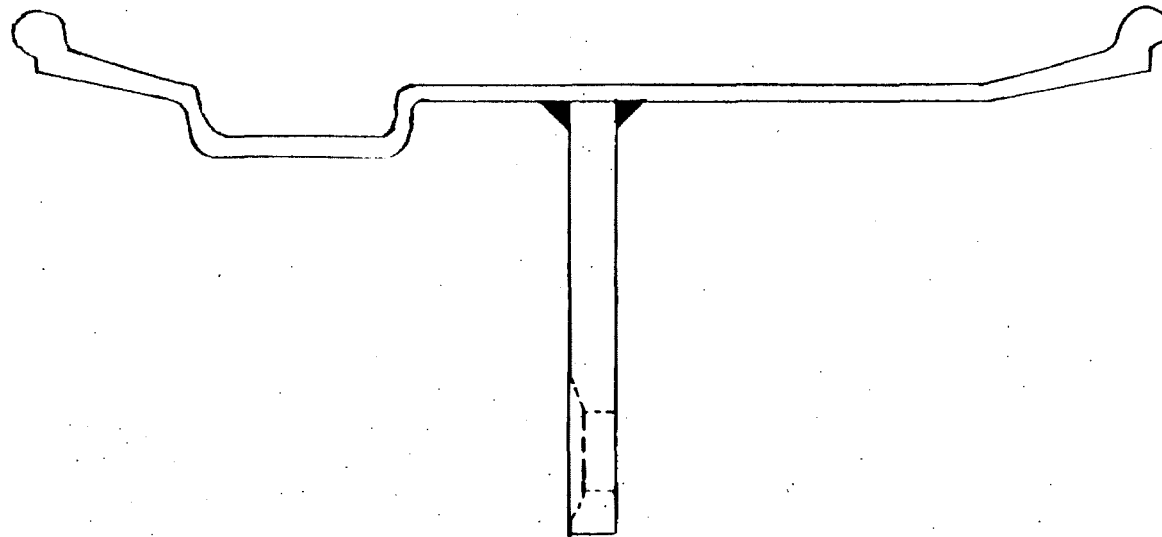
SHEET NO.	TITLE	DATE	R	<b>J. H. FLETCHER &amp; CO.</b> 707 WEST 7TH STREET HUNTINGTON, W. VA
MA-204B	TRAM DRIVE COUNTERSHAFT ASSEMBLY	10-27-87		

39605

28"-12.5 x 15" TIRE & TUBE ASSEMBLY MCCREARY  
(NOT PART OF WHEEL ASSEMBLY)

53050 RIM & LOCK RING ASSEMBLY

52877 TIRE & WHEEL ASSEMBLY



SHEET NO.

MA-222

TITLE

53049 WHEEL ASSEMBLY

DATE

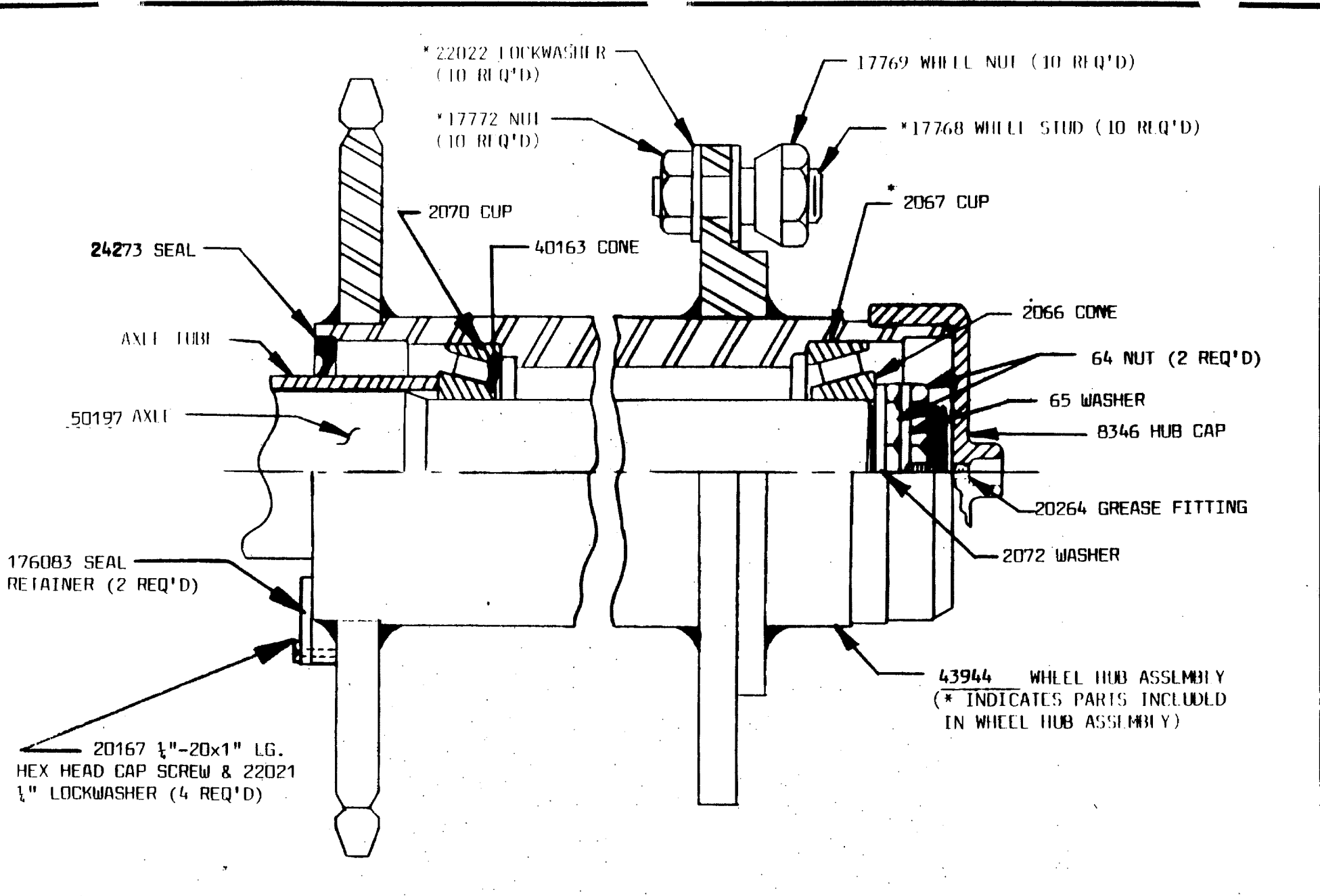
2-10-75

R

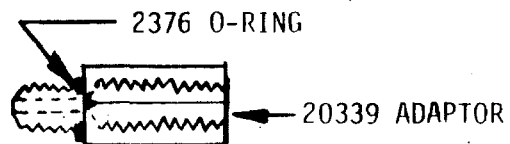
**J. W. FLETCHER & CO.**

707 WEST 7TH STREET

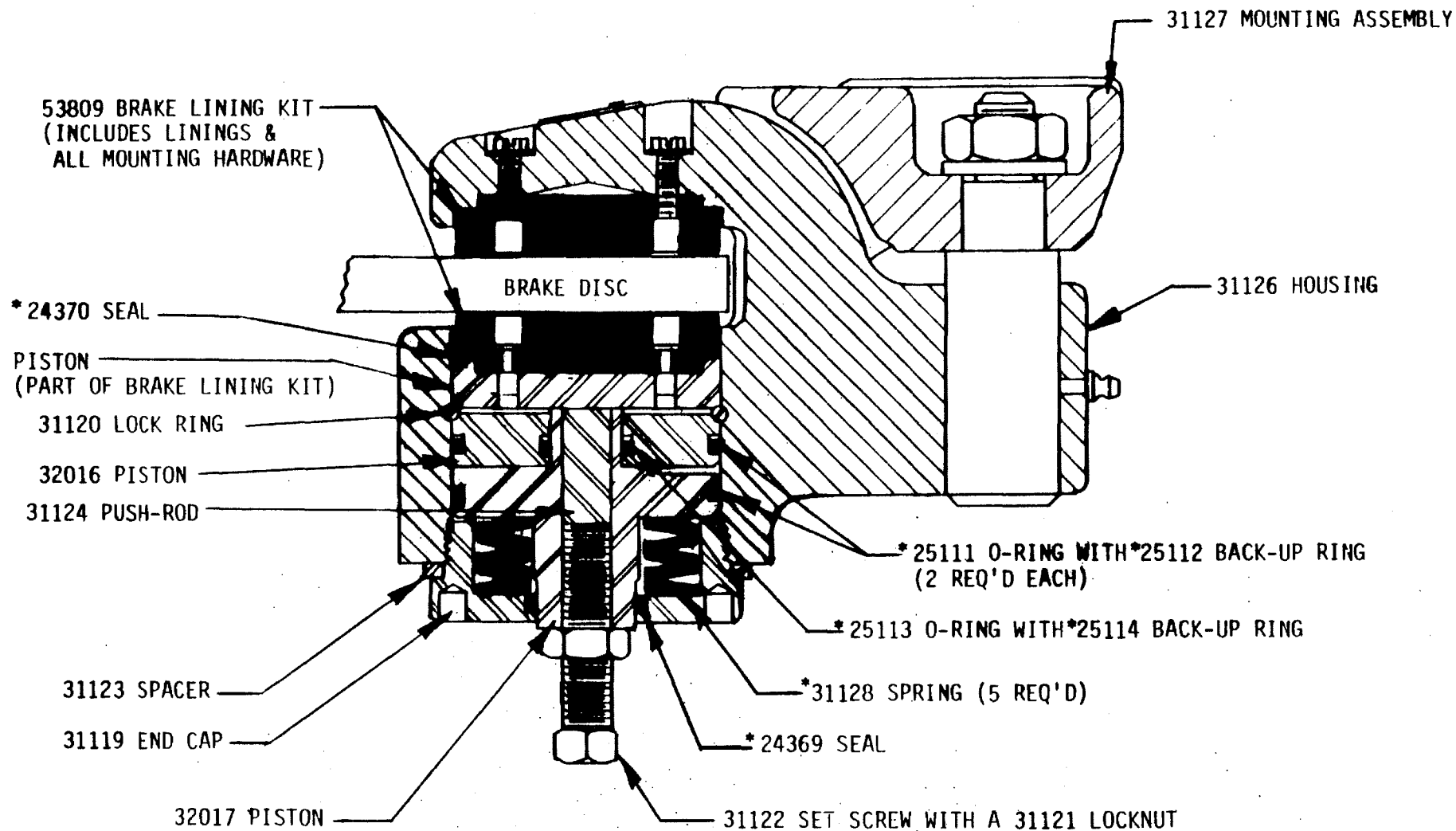
HUNTINGTON, W. VA.



SHEET NO.	TITLE	DATE	R	<b>J. N. FLETCHER &amp; CO.</b> 707 WEST 7TH STREET HUNTINGTON, W. VA
MA-364	WHEEL HUB ARRANGEMENT	7/14/87		



NOTE: \* INDICATES PARTS INCLUDED IN  
153781 SOFTWARE KIT



SHEET NO.

MC-21

TITLE

53777 DISC BRAKE CALIPER ASSEMBLY

DATE

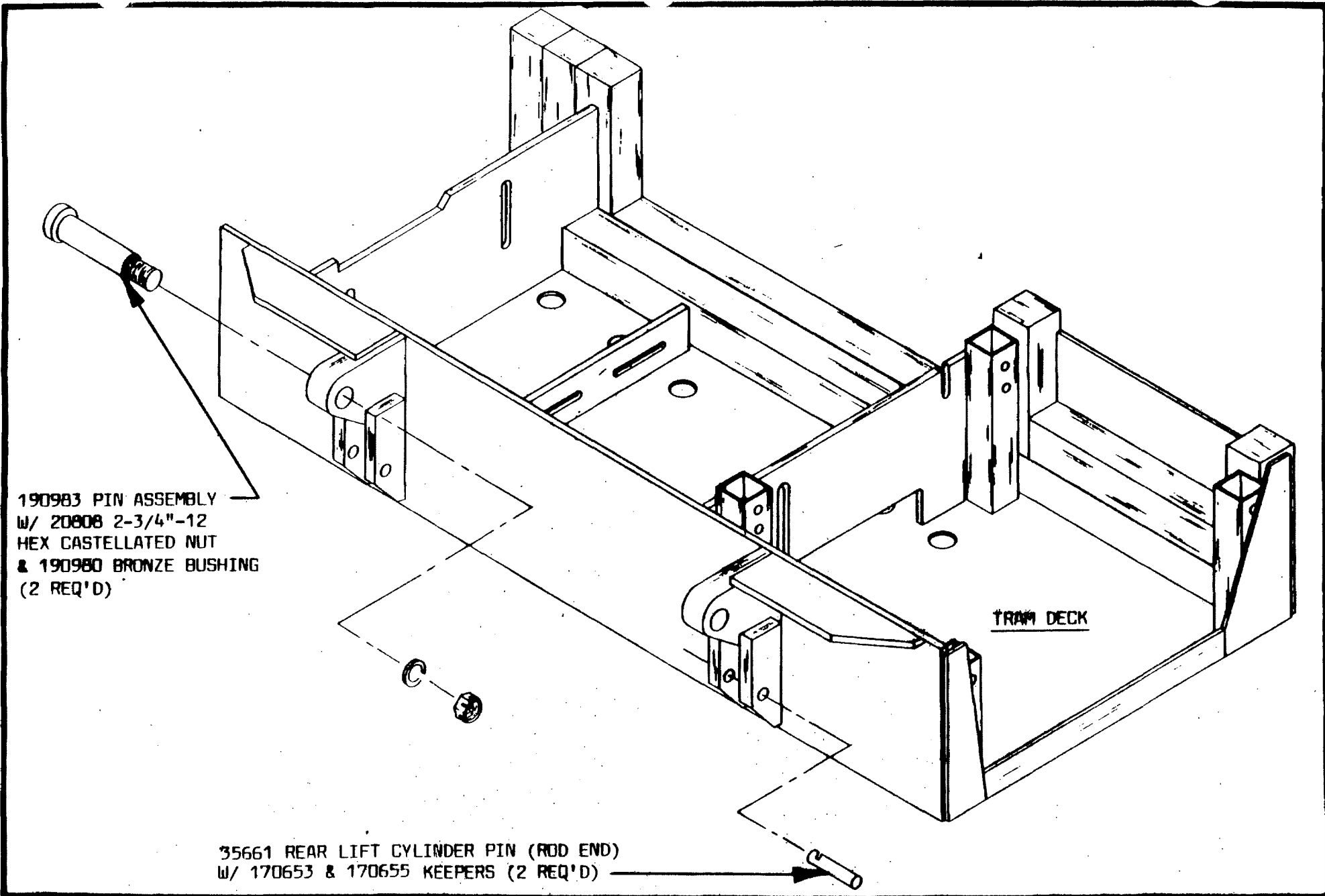
12-27-82

R

**J. W. FLETCHER & CO.**

707 WEST 7TH STREET

HUNTINGTON, W. VA.



190983 PIN ASSEMBLY  
 W/ 20808 2-3/4"-12  
 HEX CASTELLATED NUT  
 & 190980 BRONZE BUSHING  
 (2 REQ'D)

35661 REAR LIFT CYLINDER PIN (ROD END)  
 W/ 170653 & 170655 KEEPERS (2 REQ'D)

SHEET NO.

MY-634

TITLE

191935 REAR LIFT ASSEMBLY

DATE

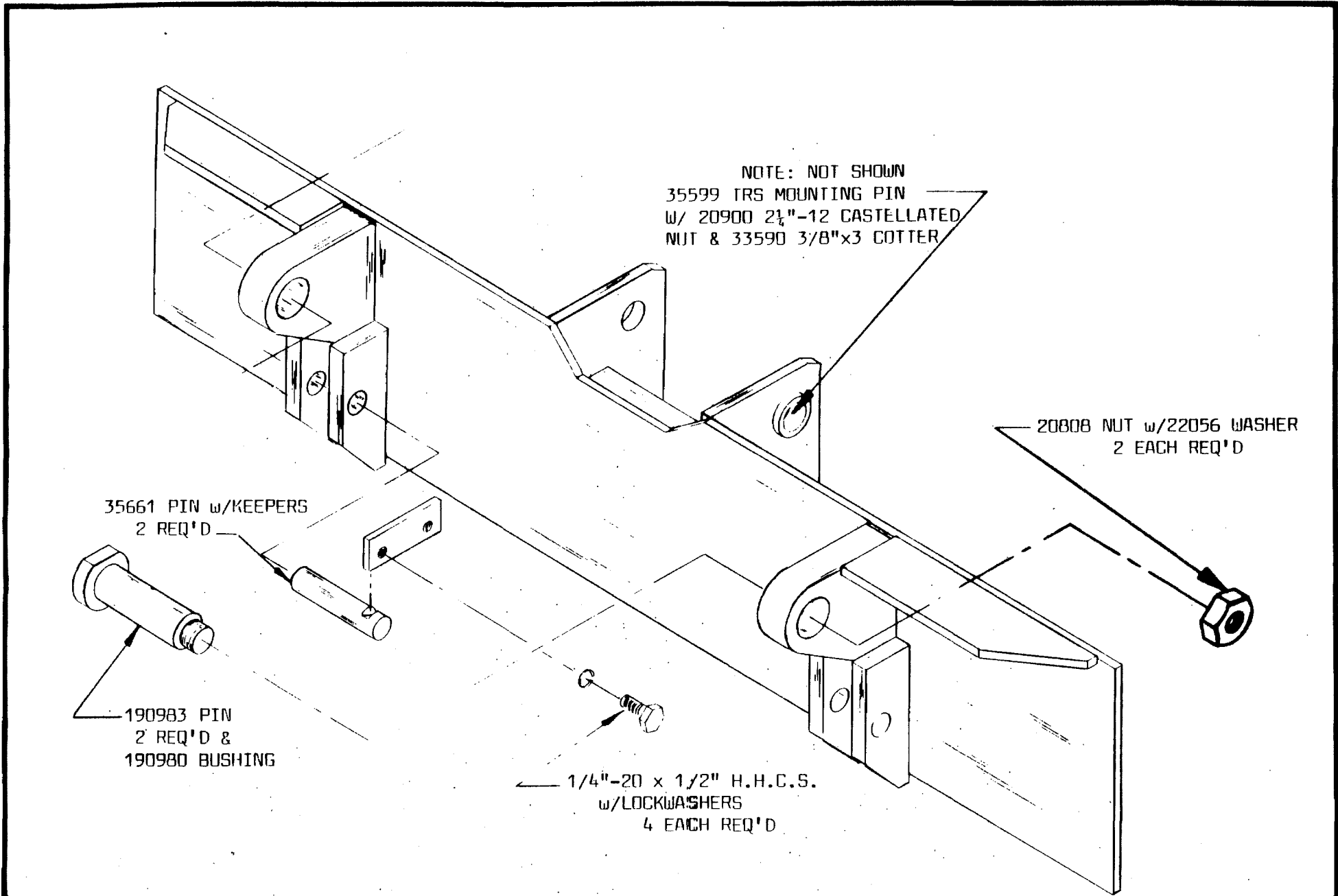
4/8/87

R

**J. N. FLETCHER & CO.**

707 WEST 7TH STREET

HUNTINGTON, W. VA.



SHEET NO.	TITLE	DATE	R	<b>J. H. FLETCHER &amp; CO.</b> 707 WEST 7TH STREET HUNTINGTON, W. VA.
MY-636	192654 FRONT LIFT ASSEMBLY	4-28-87		