

SHEET NO.

TITLE

DATE

R

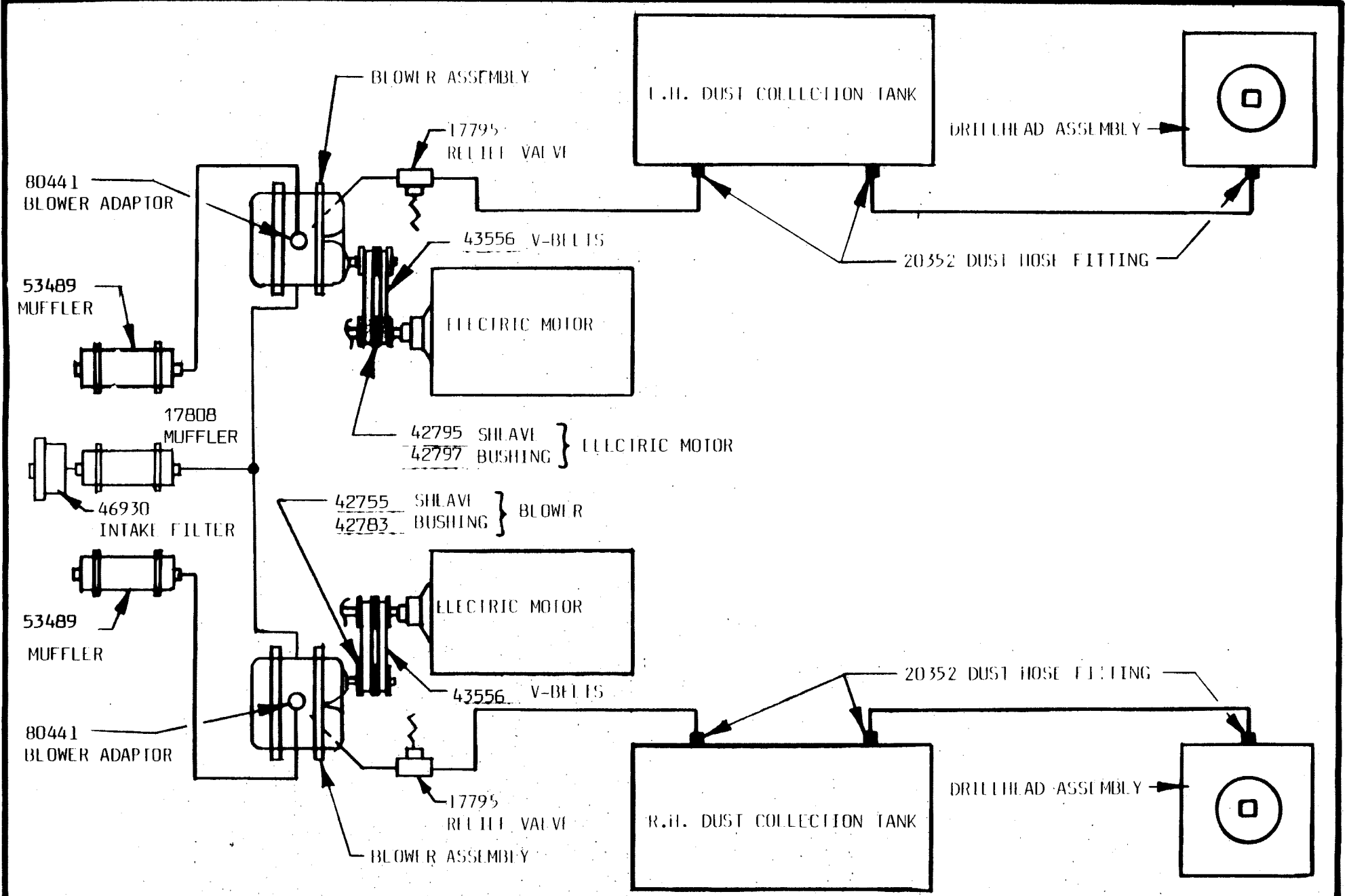
LOCATION FOR DUST SYSTEM

J. N. FLETCHER & CO.
707 WEST 7TH STREET HUNTINGTON, W. VA.

INDEX FOR DUST COLLECTION SYSTEM

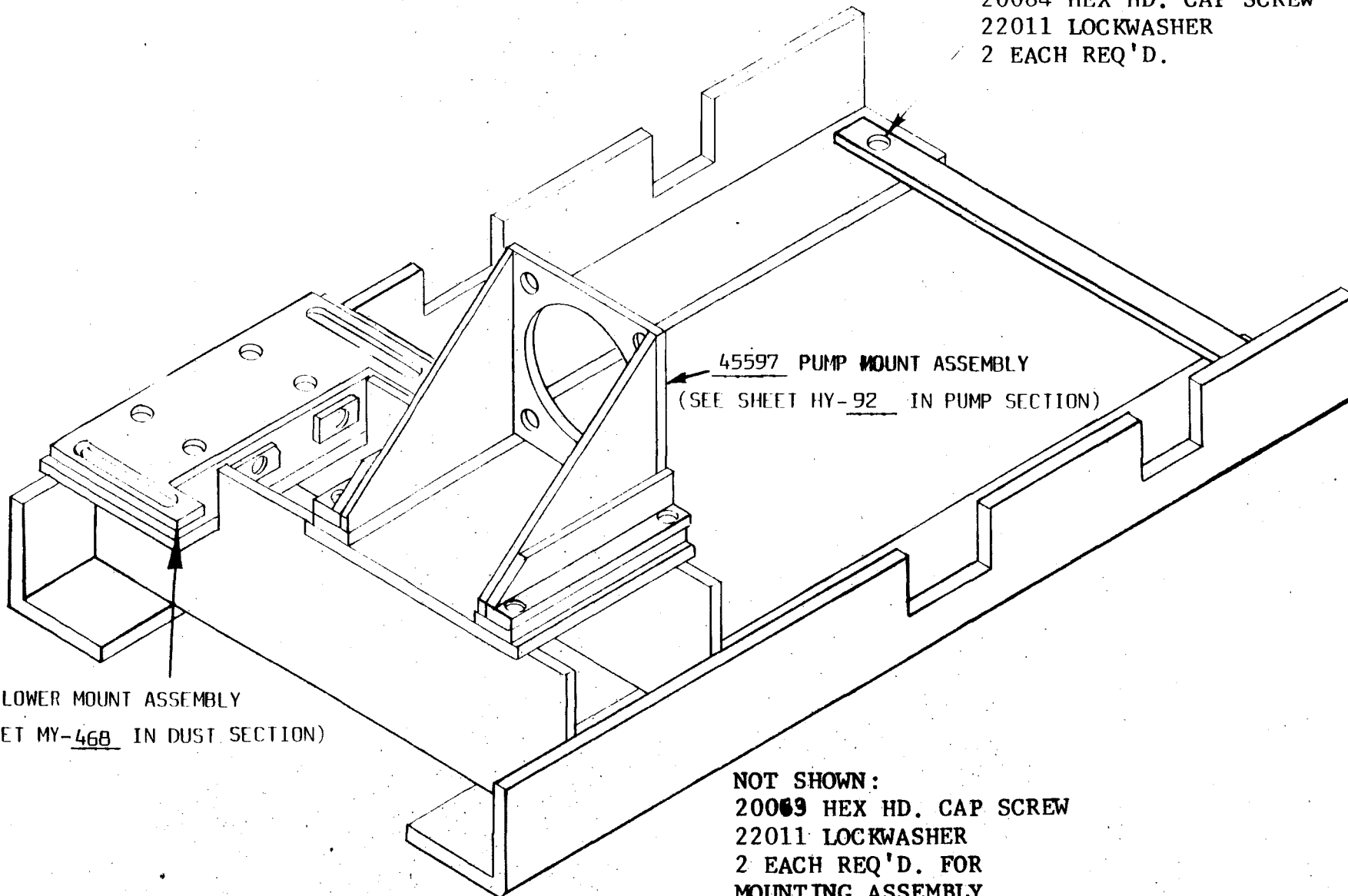
90022

<u>DESCRIPTION</u>	<u>PART NO.</u>	<u>SHEET NO.</u>	<u>NO. REQ'D</u>
DUST COLLECTION CIRCUIT			
ELECTRIC MOTOR, PUMP, & BLOWER MOUNT		MY-176	2
BLOWER MOUNT ASSEMBLY	45629	MY-468	2
BLOWER ASSEMBLY	42098	SP-68	2
DUST TANK ASSEMBLY	56229	SP-73	2



SHEET NO.	TITLE	DATE	R	J. N. FLETCHER & CO. 707 WEST 7TH STREET HUNTINGTON, W. VA.
	DUST COLLECTION CIRCUIT			

20084 HEX HD. CAP SCREW
 22011 LOCKWASHER
 2 EACH REQ'D.



45597 PUMP MOUNT ASSEMBLY
 (SEE SHEET HY-92 IN PUMP SECTION)

45629 BLOWER MOUNT ASSEMBLY
 (SEE SHEET MY-468 IN DUST SECTION)

NOT SHOWN:
 20069 HEX HD. CAP SCREW
 22011 LOCKWASHER
 2 EACH REQ'D. FOR
 MOUNTING ASSEMBLY

85754 MOTOR MOUNT ASSEMBLY

SHEET NO.
 MY-176

TITLE
 ELECTRIC MOTOR, PUMP, & BLOWER
 MOUNTING ARRANGEMENT

DATE
 3-11-74

R

J. H. FLETCHER & CO.
 787 WEST 7TH STREET HUNTINGTON, W. VA.

NOT SHOWN:

5/16"-18 X 1-1/2" LG.
HEX HEAD CAP SCREW
5/16"-18 HEX NUT
5/16" LOCKWASHER
(4 REQ'D EACH)
USED TO MOUNT BLOWER
TO BLOWER FEET.

5/16"-18 X 1" LG.
HEX HEAD CAP SCREW
5/16" LOCKWASHER
(4 REQ'D EACH)

3/8"-16 X 1-1/2" LG.
HEX HEAD CAP SCREW
3/8" LOCKWASHER
1/2" FLAT WASHER
(4 REQ'D EACH)

1/2"-13 HEX NUT
(2 REQ'D)

88435 BLOWER MOUNT
ADJUSTING BOLTS
(2 REQ'D)

78166 SLIDE PLATE

166000 SLIDE BASE

NOTE: THIS MOUNT USED WHEN THE BLOWER
MOUNTS ON LEFT OF MOTOR VIEWING
FROM SHAFT END.

SHEET NO.

MY-468

TITLE

45629 PUSHER BLOWER MOUNT ASSEMBLY

DATE

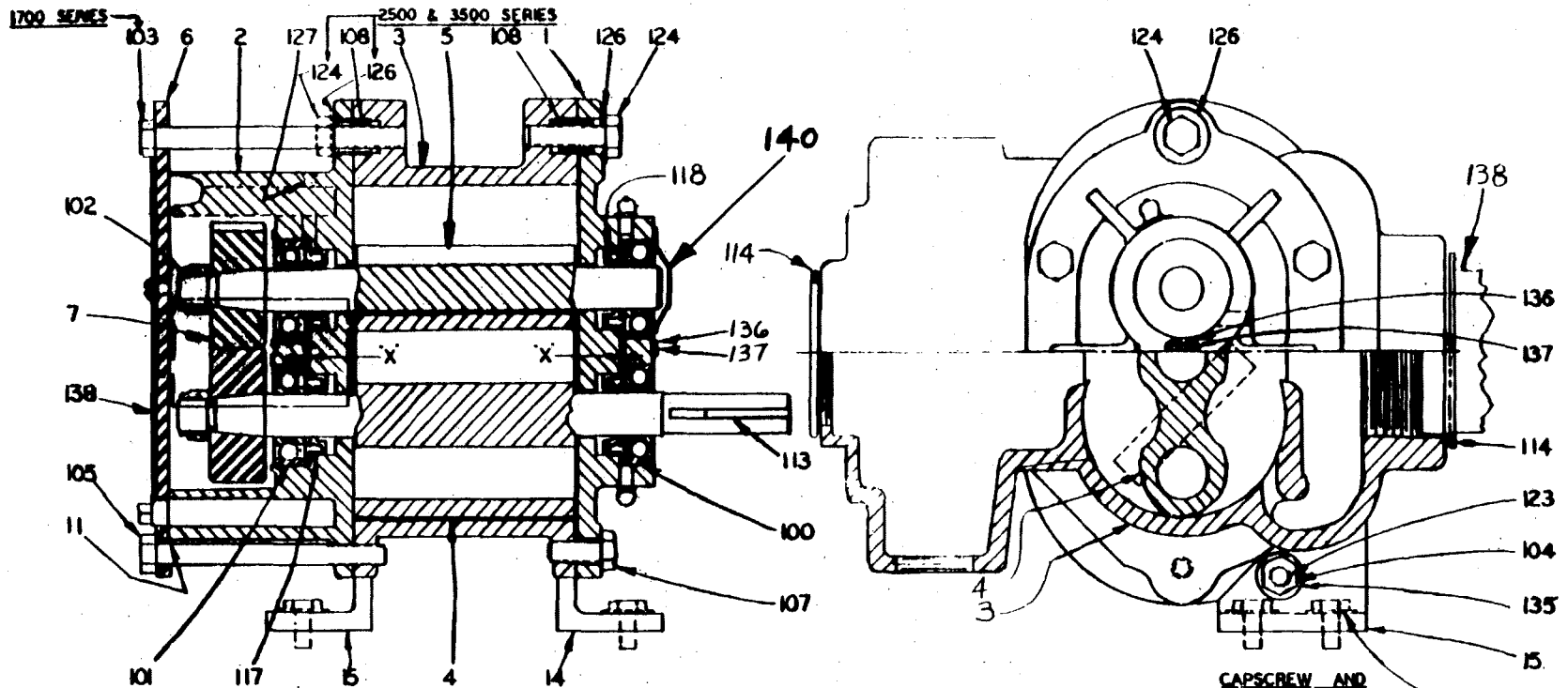
3/18/81

R

J. W. FLETCHER & CO.

707 WEST 7TH STREET

HUNTINGTON, W. VA.



ITEM	PART #	NAME
139	31169	JET INTAKE MANIFOLD
140	53747	BEARING COVER

ITEM	PART NO.	NAME	ITEM	PART NO.	NAME	ITEM	PART NO.	NAME
1.	45316	HEADPLATE D.E.	100.	40159	BEARING	114.	45318	COVER
2.	45317	HEADPLATE G.E.	101.	40160	BEARING	117.	24358	SEAL G. E.
3.	48493	CYLINDER	102.	20889	NUT	118.	24359	SEAL D.E.
4.	30687	IMP & SHAFT	103.	24852	SCREW	123.	24856	SCREW
5.	30688	IMP & SHAFT	104.	20890	NUT	124.	24857	SCREW
6.	47281	COVER	105.	24853	SCREW	126.	22135	WASHER
7.	47282	GEAR	106.	24854	SCREW	127.	23441	PLUG-EYELET
11.	30037	GASKET	107.	24855	SCREW	136.	23442	ARROW
14.	23439	FOOT RIGHT	108.	53368	SLEEVE	137.	24858	SCREW
15.	23440	FOOT LEFT	113.	23851	KEY	138.	80441	Adaptor

SHEET NO.	TITLE	DATE	R	J. H. FLETCHER & CO.
SP-68	42098 ROOTS BLOWER ASSEMBLY	10/6/81		797 WEST 7TH STREET HUNTINGTON, W. VA.

SHEET NO.

TITLE

DATE

R

J. H. FLETCHER & CO.

707 WEST 7TH STREET

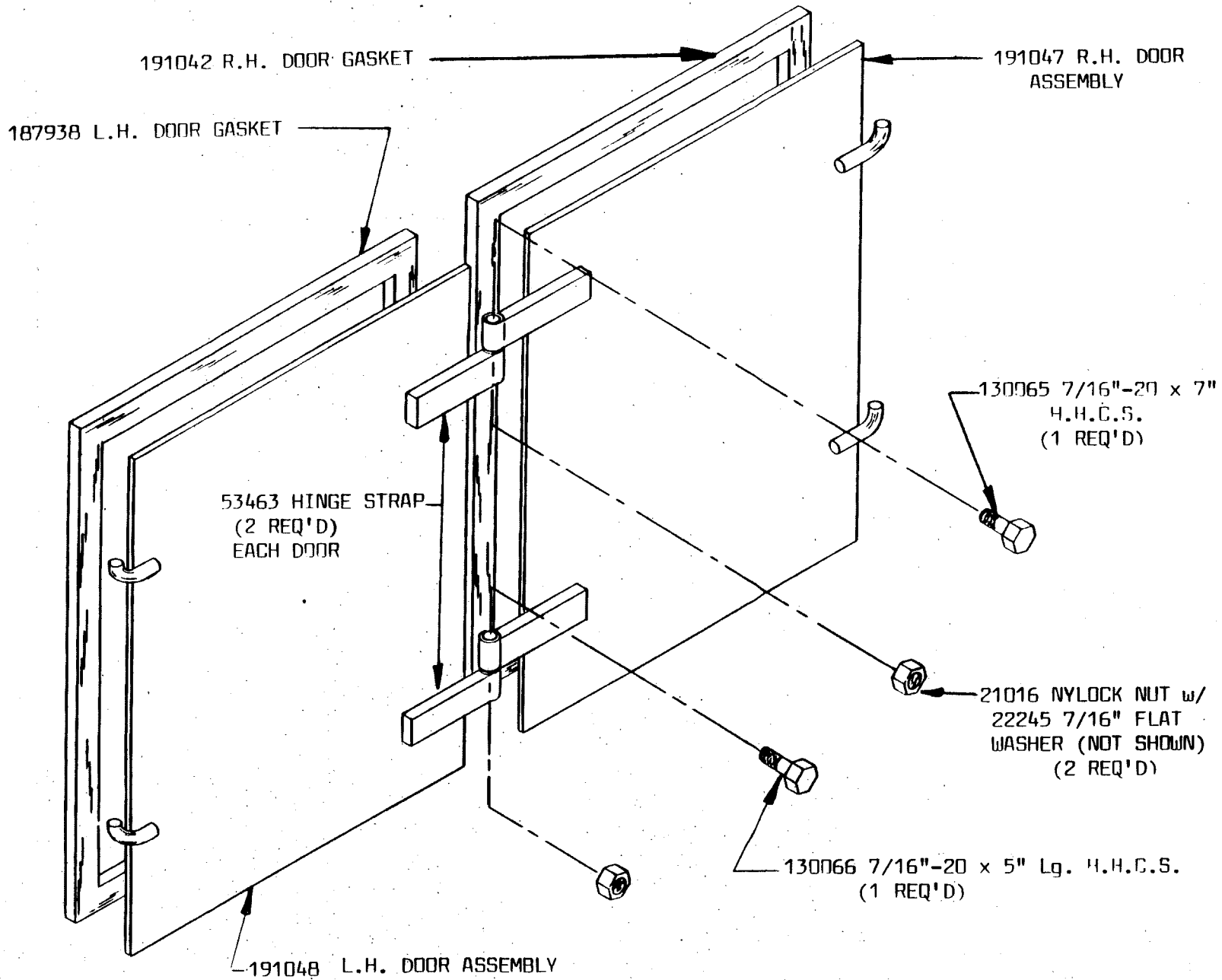
HUNTINGTON, W. VA

SP-73

56229

DUST TANK ASSEMBLY

5-11-87



40234

SHEET NO.

SP-73

TITLE

56229 DUST TANK ASSEMBLY

DATE

5-11-87

R

J. H. FLETCHER & CO.
707 WEST 7TH STREET
HUNTINGTON, W. VA.

