

SHEET NO.	TITLE LOCATIONS FOR PUMP SYSTEM	DATE	R	J. H. FLETCHER & CO. 707 WEST 7TH STREET HUNTINGTON, W. VA.
-----------	------------------------------------	------	---	---

38806

INDEX FOR PUMP SYSTEM

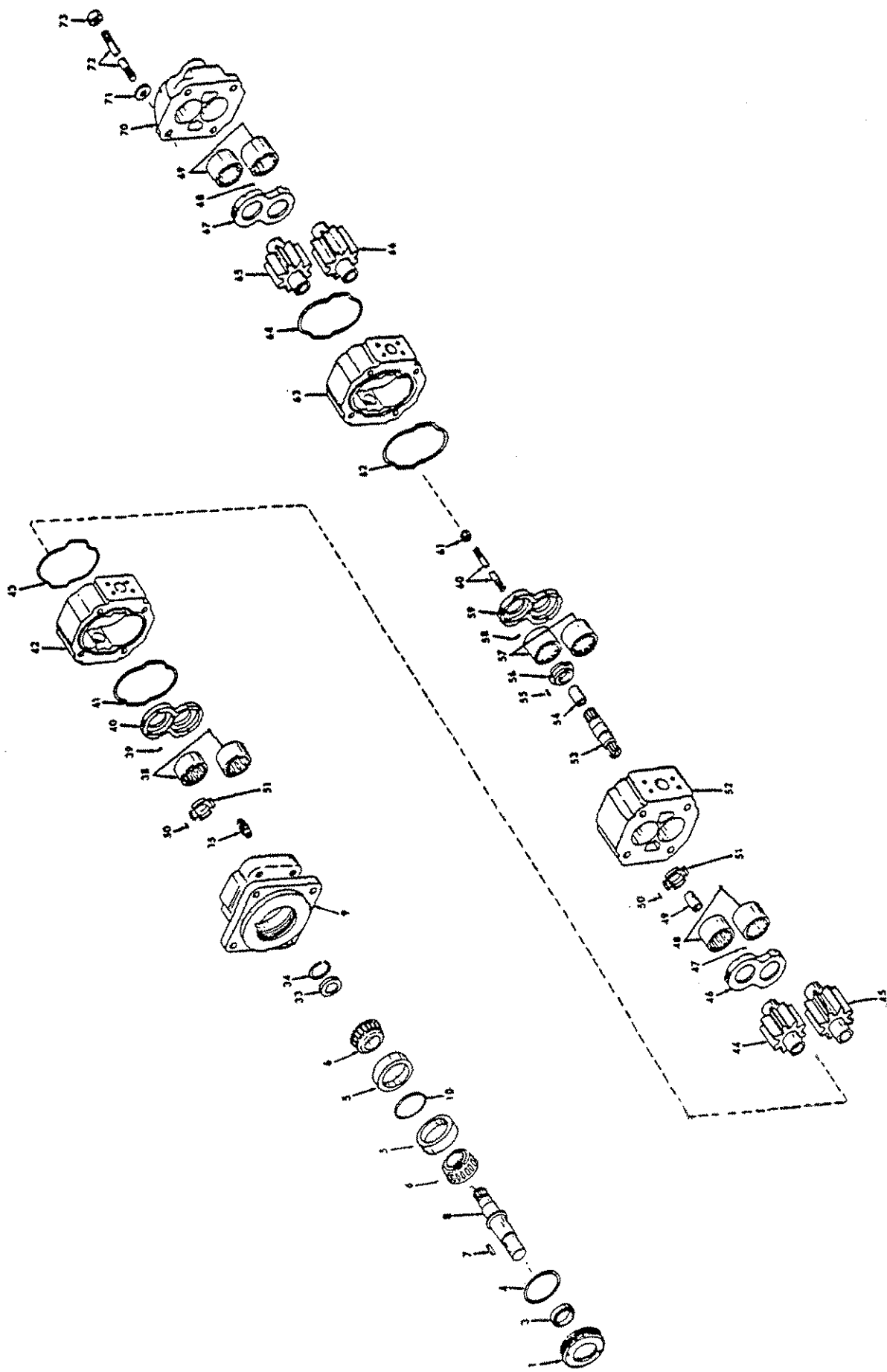
<u>DESCRIPTION</u>	<u>PART NO.</u>	<u>SHEET NO.</u>	<u>NO. REQ'D</u>
HYDRAULIC PUMP ASSEMBLY	42042	HP-45	2
HAND PUMP ASSEMBLY	42004	HY-56	1
PUMP MOUNT ASSEMBLY	45597	HY-92	2
OIL BREATHER UNIT	46907	HY-140	1
HYDRAULIC OIL FILTER	46964	HY-166	2
CLEANOUT ASSEMBLY	80348	MY-126	1
COUPLING ASSEMBLY	40842	MY-441	2

SHEET NO.	TITLE	DATE	R	J. H. FLETCHER & CO.
HP-45	42042 HYDAULIC PUMP			707 WEST 7TH STREET HUNTINGTON, W. VA.

ITEM	PART NO.	DESCRIPTION	NO. REQ'D	ITEM	PART NO.	DESCRIPTION	NO. REQ'D
1.	23045	RETAINER RING	1	53.	30513	CONNECTING SHAFT	1
2.	24269	HI-PRESSURE SEAL	1	54.	21509	SPACER	1
3.	402	"O" RING	1	55.	30397	ROLL PIN	1
5 AND 6.				56.	40255	SHAFT BUSHING	1
	40008	ROLLER BEARING	2	57.	40009	NEEDLE BEARING	2
7.	23765	KEY	1	58.	21266	POCKET SEALS	6
8.	30518	SHAFT	1	59.	23035	THRUST PLATE	1
9.	47001	SHAFT END COVER	1	60.	31770	CONNECTING STUD	1
10.	21504	BEARING SPACER	1	61.	20778	NUT	1
33.	21505(**)	SPACER	1	62.	409	"O" RING	1
34.	1316	SNAP RING	1	63.	47253	GEAR HOUSING	1
35.	23048	CHECK ASSEMBLY	2	64.	409	"O" RING	1
38.	40009	NEEDLE BEARING	2	65 AND 66.			
39.	21266	POCKET SEALS	6		41254	GEAR SET	1
40.	23035	THRUST PLATE	1	67.	23035	THRUST PLATE	1
41.	409	"O" RING	1	68.	21266	POCKET SEAL	6
42.	47256	GEAR HOUSING	1	69.	40009	NEEDLE BEARING	2
43.	409	"O" RING	1	70.	47452	PORT END COVER	1
44 AND 45.				71.	22035	WASHER	4
	41257	GEAR SET	1	72.	31769	STUD	4
46.	23035	THRUST PLATE	1				
47.	21266	POCKET SEALS	6				
48.	40009	NEEDLE BEARING	2				
49.	21513	SPACER	1				
50.	30397	ROLL PIN	2				
51.	40255	SHAFT BUSHING	2				
52.	47060	BEARING CARRIER	1				

(**) IF THIS SPACER DOES NOT ALLOW THE SNAP RING TO FIT THE SLOT USE

21508 SPACER.



SHEET NO.
HP-45

42042

TITLE
HYDRAULIC PUMP

DATE
REV. 3-3-76

R

J. H. FLETCHER & CO.
707 WEST 7TH STREET
HUNTINGTON, W. VA.

SHEET NO.

HY-56

TITLE

42004 HAND PUMP

DATE

1-22-66

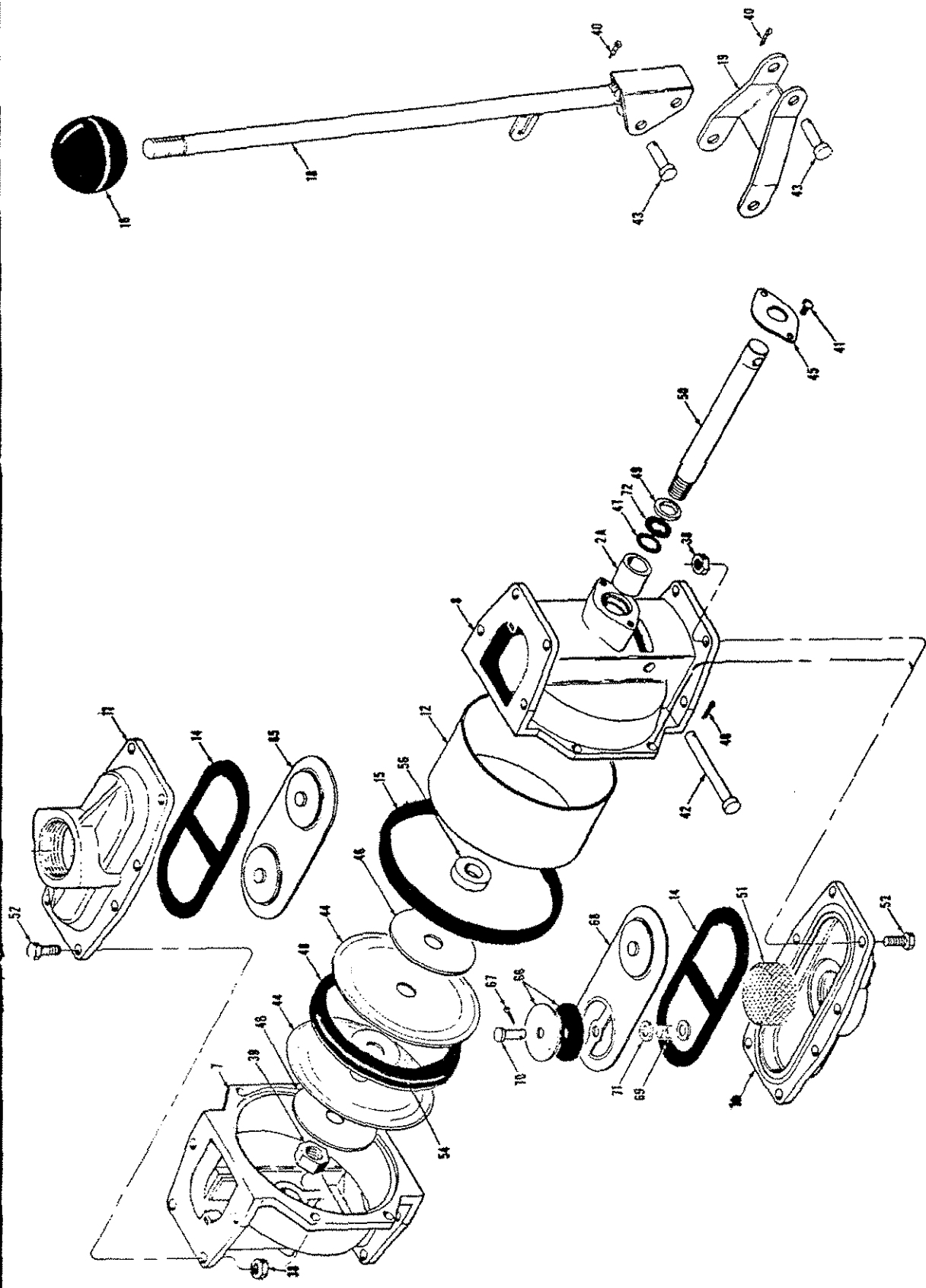
R

J. H. FLETCHER & CO.

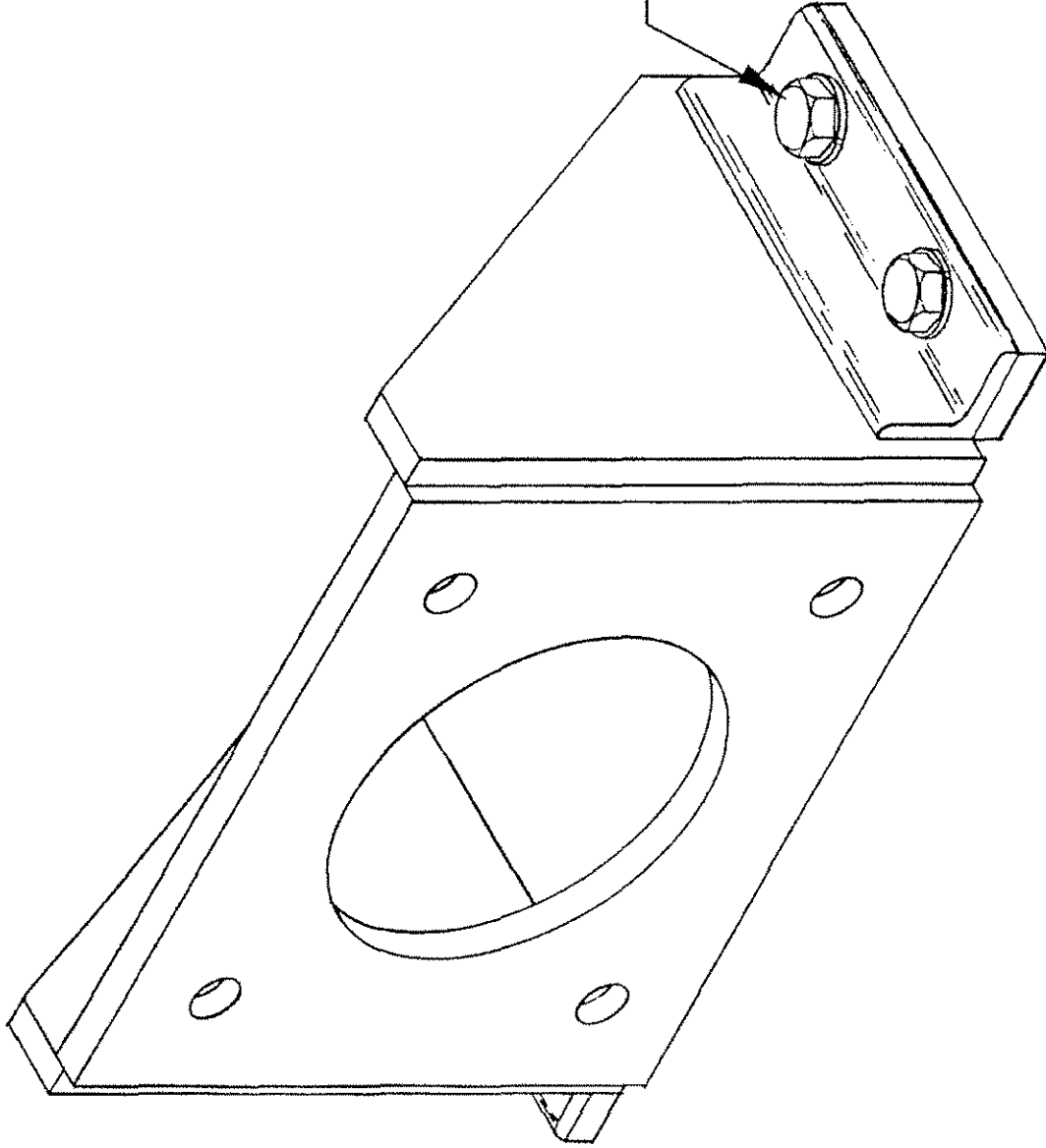
707 WEST 7TH STREET

HUNTINGTON, W. VA.

ITEM	PART NO.	DESCRIPTION	NO. REQ'D.
2A.	45461	BEARING	1
7.	45145	CASE, REAR PUMP	1
8.	45146	CASE ASSEMBLY, PUMP	1
9.	45147	COVER, BOTTOM PUMP	1
11.	45148	COVER, TOP PUMP	1
12.	45149	CYLINDER	1
14.	30022	GASKET	2
15.	30023 *	GASKET	1
16.	41540	HANDLE	1
18.	41541	LEVER ASSEMBLY	1
19.	41542	LINK, ARM	1
38.	20768	NUT, HEX	20
39.	20827	NUT, PISTON	1
40.	30408	PIN, COTTER	3
41.	20231	PIN, DRIVE	2
42.	30446	PIN, SADDLE LEVER	1
43.	30377	PIN, PISTON ROD	2
44.	31072	PLATE, PISTON	2
45.	23177	PLATE, RETAINING	1
46.	31073	REINFORCER, PISTON	2
47.	21340 *	"O" RING	1
48.	31074 *	RING, PISTON	1
49.	23178	RING, WIPER	1
50.	31910	ROD, PISTON	1
51.	23179	SCREEN	1
52.	20090	HX. HD. CAP SCREW	20
54.	22083	SEPARATOR, PISTON	1
56.	21538	SPACER, PISTON	1
65.	31472	VALVE ASSEMBLY	1
66.	23180	DISC	2
67.	30447	PIN, COTTER	2
68.	23181	PLATE, VALVE	1
69.	22805	SPRING, VALVE	2
70.	30448	STEM, VALVE	2
71.	22084	WASHER	4
72.	22085	WASHER	1



SHEET NO. HY-56	TITLE 42004 HAND PUMP	DATE 1-22-66	R	J. H. FLETCHER & CO. HUNTINGTON, W. VA. 707 WEST 7TH STREET
--------------------	--------------------------	-----------------	---	--



20079 HEX HD. CAP SCREW
WITH 22011 LOCKWASHERS
(4 REQ'D EACH)

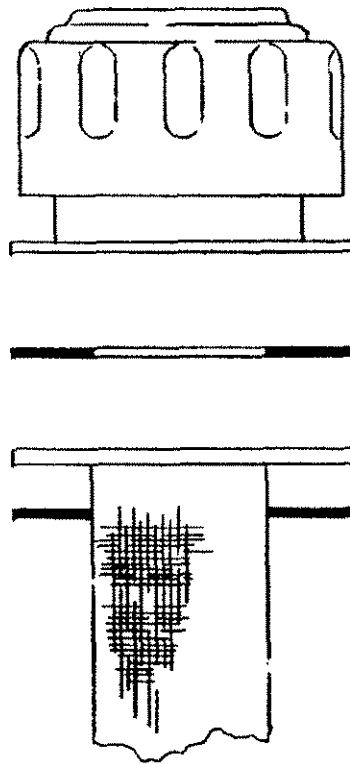
SHEET NO.
HY-92

TITLE
45597 PUMP MOUNT ASSEMBLY

DATE

R

J. H. FLETCHER & CO.
707 WEST 7TH STREET
HUNTINGTON, W. VA.



NOT SHOWN:
MOUNTING SCREWS - TYPE "F" #8-32x $\frac{1}{2}$ " LG.
SLOTTED ROUND HEAD SCREW (3 REQ'D)

SHEET NO.

HY-140

TITLE

46907 OIL BREATHER CAP (5 P.S.I.)

DATE

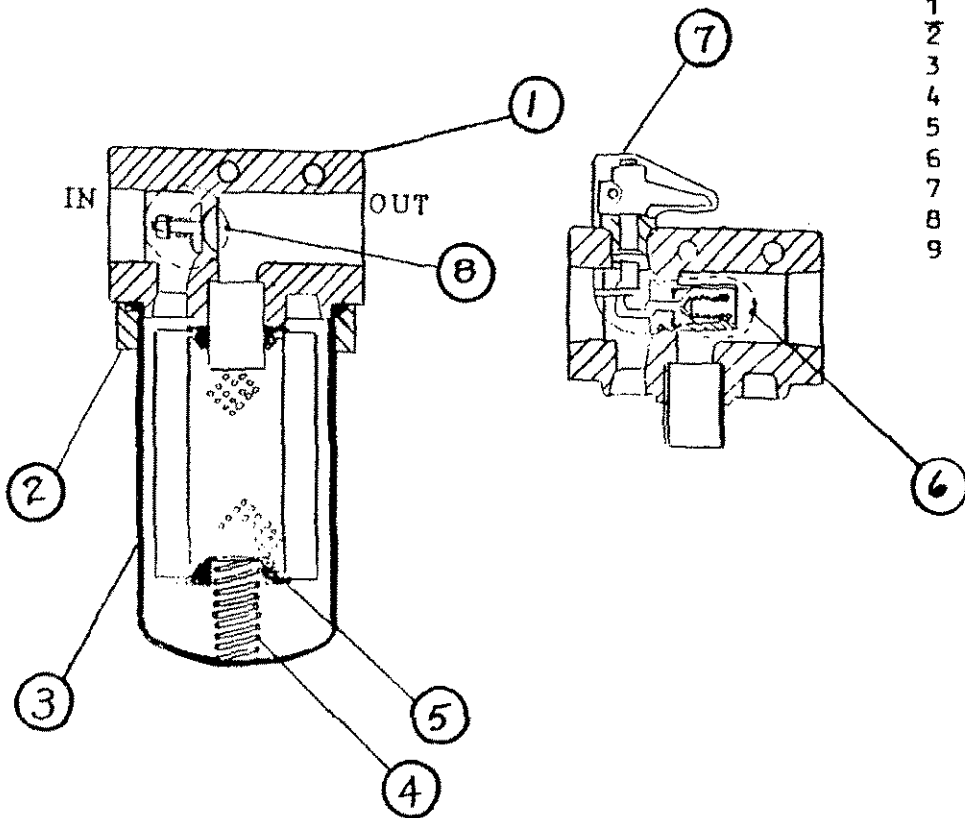
8/11/81

R

J. H. FLETCHER & CO.

707 WEST 7TH STREET

HUNTINGTON, W. VA.



<u>ITEM</u>	<u>PART NO.</u>	<u>DESCRIPTION</u>
1	46969	HEAD ASSEMBLY
2	46968	RETAINING RING
3	46967	ENCLOSURE TUBE
4	46972	SPRING
5	46971	SPRING PLATE
6	46970	DIRT ALARM KIT
7	46899	POINTER ASSEMBLY
8	46973	DISH & SPIDER ASSEMBLY
9	46974	SEAL KIT ASSEMBLY

REPLACEMENT FILTER ELEMENT 46940

SHEET NO.

HY-166

TITLE

46964 HYDRAULIC FILTER ASSEMBLY

DATE

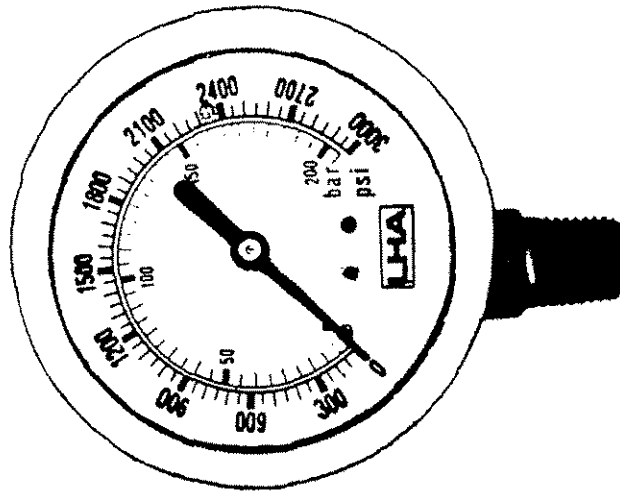
4-14-88

R

J. H. FLETCHER & CO.

707 WEST 7TH STREET

HUNTINGTON, W. VA.



SHEET NO.

HY-193

TITLE

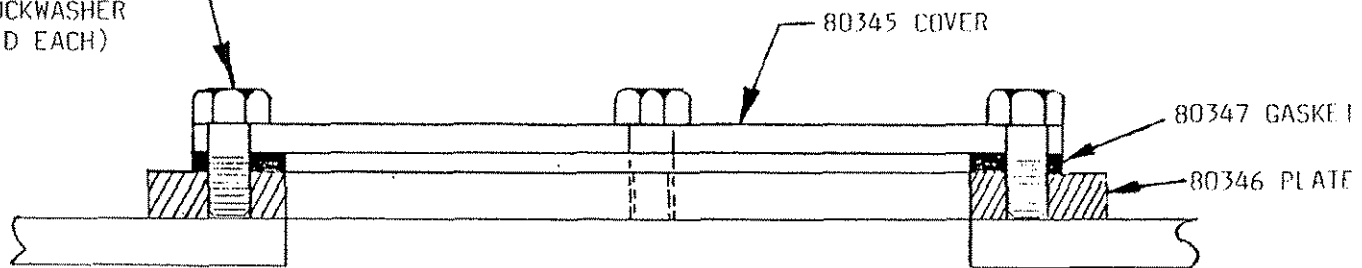
18289 GAUGE 0-3000 PSI

DATE

R

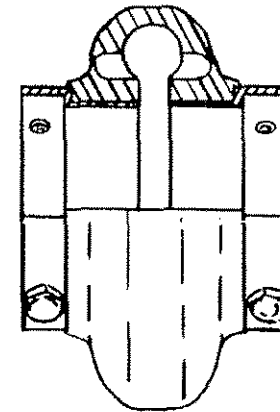
J. H. FLETCHER & CO.
707 WEST 7TH STREET
HUNTINGTON, W. VA.

3/8"-16 X 3/4" LG.
HEX HEAD CAP SCREW
3/8" LOCKWASHER
(8 REQ'D EACH)



SHEET NO. MY-126	TITLE 80348 CLEANOUT ASSEMBLY	DATE 12-10-71	R	J. W. FLETCHER & CO. 707 WEST 7TH STREET HUNTINGTON, W. VA.
---------------------	----------------------------------	------------------	---	---

40846 URETHANE FLEX ELEMENT



40845 HUB
(PUMP SIDE)

40844 HUB
(MOTOR SIDE)

3/8"-16x5/8"LG.
HEX HD. CAP SCREW
(8 REQ'D)

NOT SHOWN:
MOTOR SIDE, BT-2 KEY (1 REQ'D)
1/2"-13x1/2"LG. SET SCREW (2 REQ'D)

PUMP SIDE, 23765 KEY (1 REQ'D)
3/8"-16x1/2" SET SCREW (2 REQ'D)

SHEET NO.	TITLE	DATE	R	J. W. FLETCHER & CO.
MY-441	40842 COUPLING ASSEMBLY	10/14/80		707 WEST 7TH STREET HUNTINGTON, W. VA.