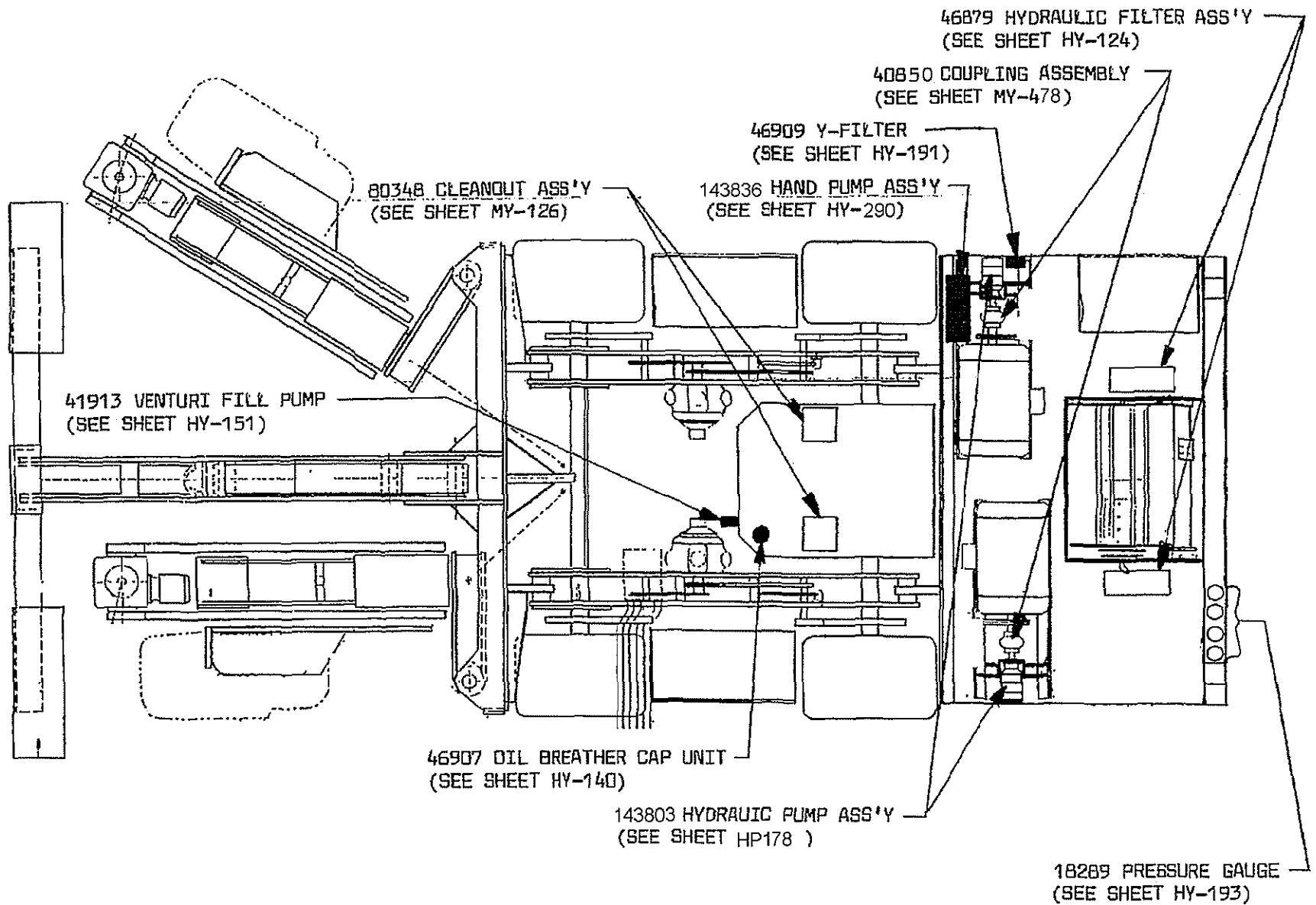


INDEX FOR PUMP SYSTEM

94033

<u>DESCRIPTION</u>	<u>PART NO.</u>	<u>SHEET NO.</u>	<u>NO. REQ'D</u>
HYDRAULIC PUMP ASSEMBLY	143879	HP-205	2
HYD. PUMP MOUNT ASSEMBLY	45597	HY-92	2
HYDRAULIC FILTER ASSEMBLY	46879	HY-124	2
OIL BREATHER CAP UNIT	46907	HY-140	1
VENTURI FILL PUMP ASSEMBLY	41913	HY-151	1
Y-FILTER ASSEMBLY	46909	HY-191	1
PRESSURE GAUGE (0-3000 PSI)	18289	HY-193	5
HAND PUMP ASSEMBLY	143836	HY-290	1
HAND PUMP FILTER	150272	HY-318	
FLOW METER	36924	HY-195	4
CLEANOUT ASSEMBLY	80348	MY-126	2
COUPLING ASSEMBLY	40850	MY-478	2



C. & B. Blueprint 78319 Form 9300

SHEET NO.	TITLE	DATE	R	<b>J. H. FLETCHER &amp; CO.</b> 402 HIGH STREET HUNTINGTON, W. VA.
HP-178	LOCATIONS FOR PUMP SYSTEM			

**Fletcher**  
HYDRAULIC EQUIPMENT



**TABLE  
OF  
CONTENTS:**

MISCELLANEOUS

ELECTRICAL

PUMP SYSTEM

TRAM SYSTEM

DRILLING UNIT

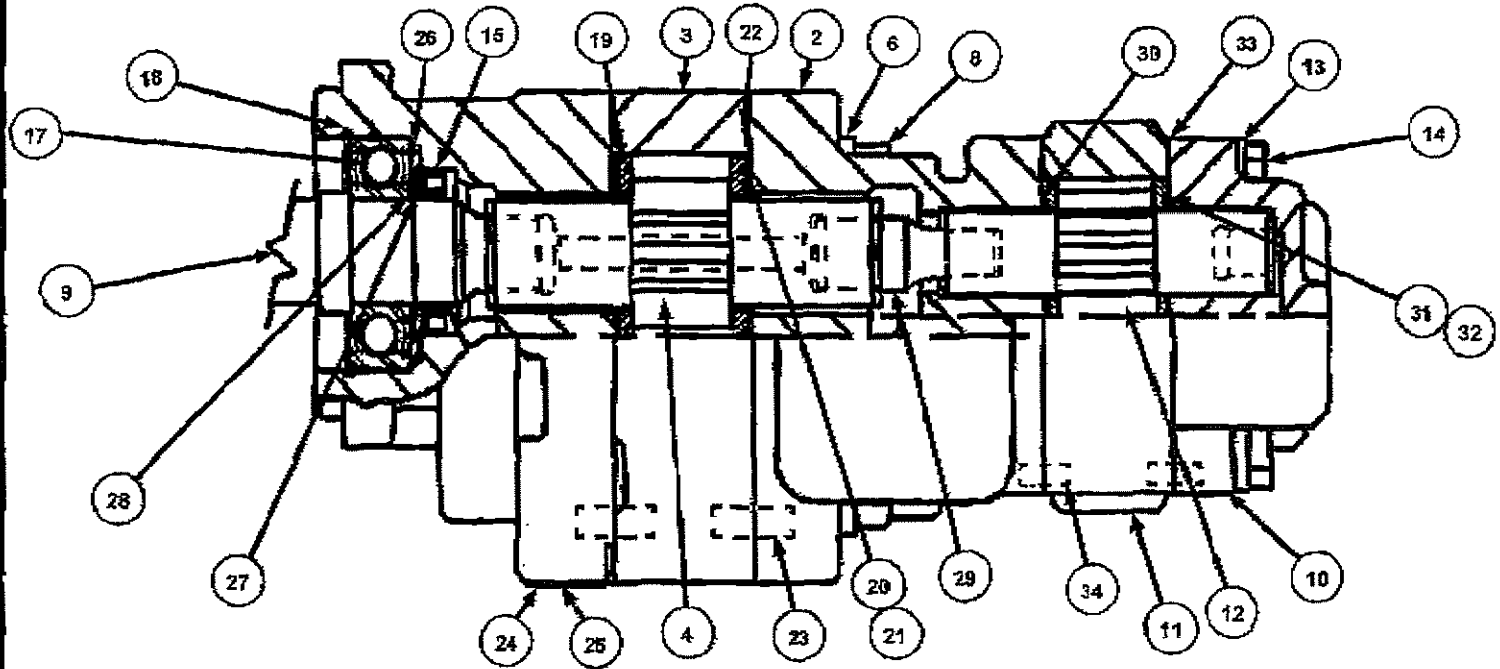
DUST COLLECTION

SAFETY COMPONENT

VALVES

WATER (OPTIONAL)

ORDER FORM



ITEM	DESCRIPTION	PART #	QTY	ITEM	DESCRIPTION	PART #	QTY	ITEM	DESCRIPTION	PART #	QTY
1	SHAFT END COVER	47020	1	13	WASHER	142141	4	25	DRIVE SCREW	130675	2
2	PIGGYBACK HOUSING	144058	1	14	CAP SCREW	130676	4	26	RETAINING RING	25488	1
3	GEAR HOUSING	144607	1	15	LIP SEAL	135079	1	27	RETAINING RING	24110	1
4	GEAR SET	155165	1	16	PLUG (NOT SHOWN)	120614	1	28	BEARING SPACER	24111	1
5	KEY (NOT SHOWN)	23878	1	17	BALL BEARING	46865	1	29	CONNECTING SHAFT	134401	1
6	WASHER	22179	4	18	SNAP RING	24094	1	30	THRUST PLATE	25764	2
7	STUD (NOT SHOWN)	33922	4	19	THRUST PLATE	25756	2	31	CHANNEL SEAL	136155	2
8	HEX NUT	20953	4	20	CHANNEL SEAL	136146	2	32	BACK-UP SEAL	136816	2
9	SHAFT	34048	1	21	BACK-UP SEAL	136815	2	33	SQUARE SEAL	135081	2
10	PORT END COVER	147657	1	22	SQUARE SEAL	35022	2	34	DOWEL PIN	36037	4
11	GEAR HOUSING	147628	1	23	DOWEL PIN	33482	4	NOTE: FLAT SIDE OF SEAL RETAINER, ITEM #26, MUST FACE LIP SEAL AS SHOWN			
12	GEAR SET	155053	1	24	NAME PLATE	25676	1				

SHEET NO.

HP-205

TITLE

143879

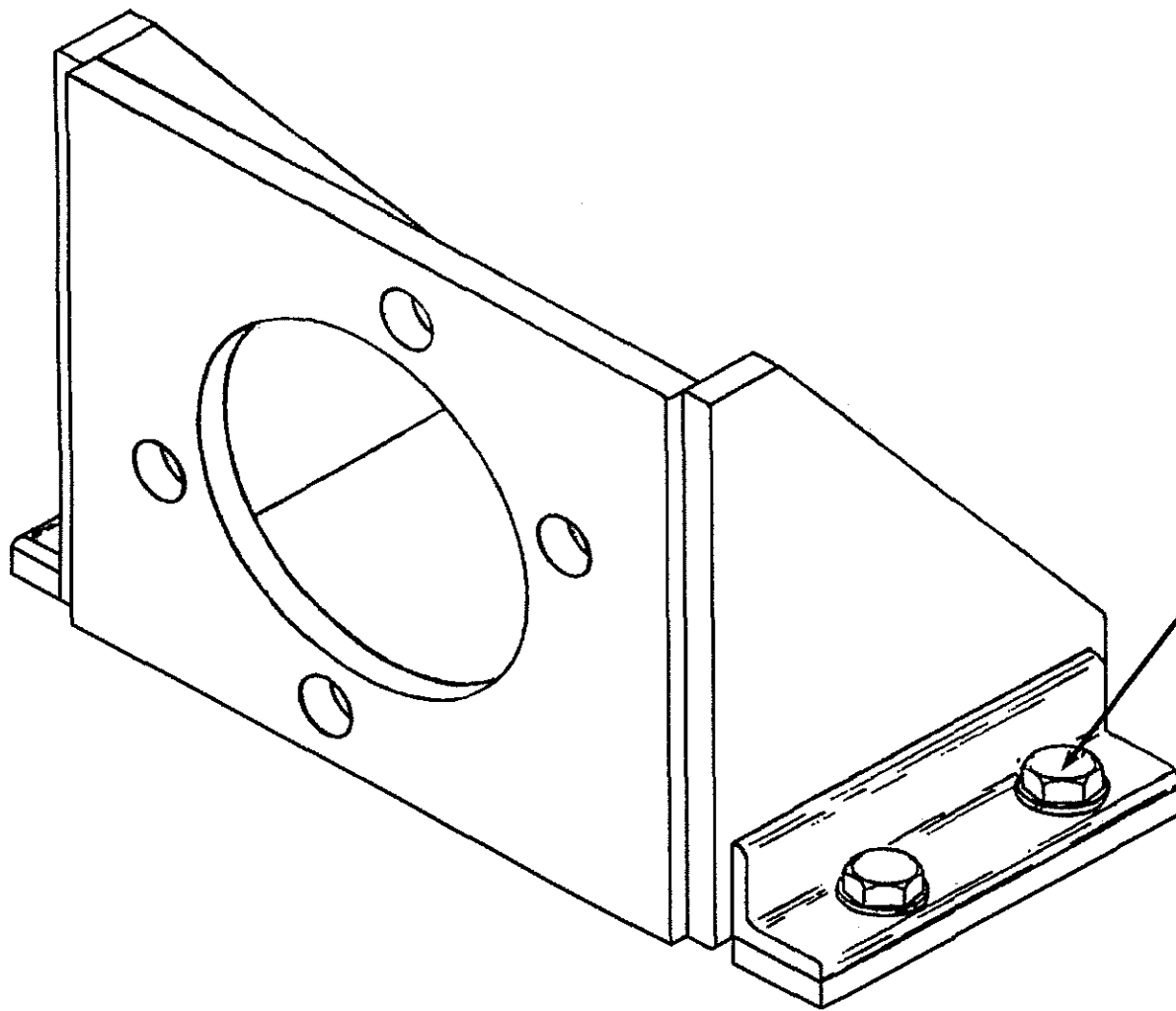
HYDRAULIC PUMP ASSEMBLY

DATE

5-27-98

J. H. FLETCHER & CO.

402 HIGH STREET HUNTINGTON, WV



20079 HEX HD. CAP SCREW  
WITH 22011 LOCKWASHERS  
(4 REQ'D EACH)

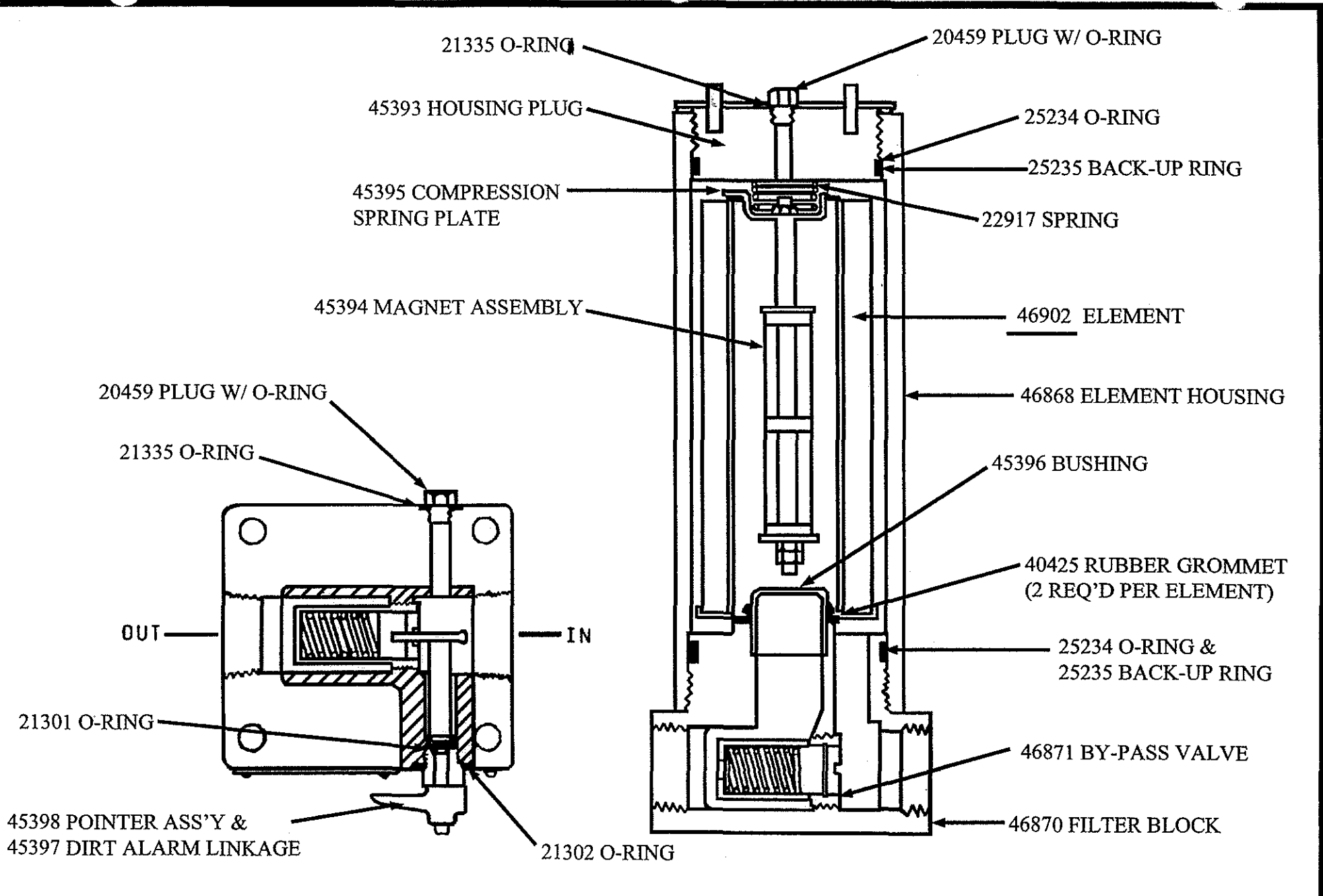
SHEET NO.  
HY-92

TITLE  
45597 PUMP MOUNT ASSEMBLY

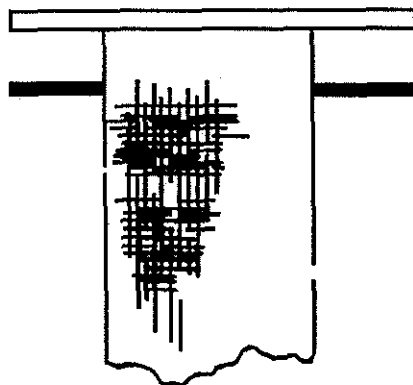
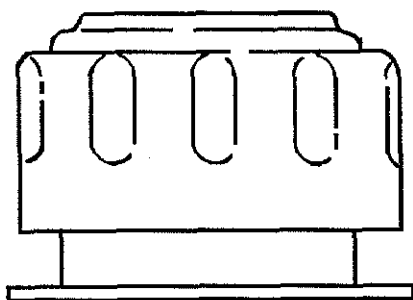
DATE  
3-26-98

R

J. H. FLETCHER & CO.  
402 HIGH STREET HUNTINGTON, W.VA.



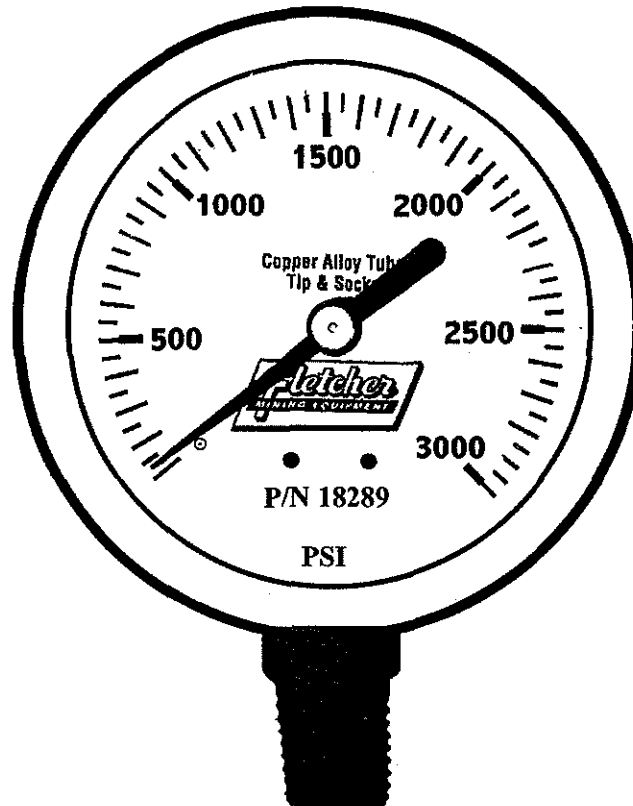
<p>SHEET NO. HY-124</p>	<p>TITLE 46879 HYDRAULIC FILTER ASSEMBLY</p>	<p>DATE</p>	<p>R</p>	<p>J. H. FLETCHER &amp; CO. 402 HIGH STREET HUNTINGTON, W.VA.</p>
-----------------------------	--	-------------	----------	---



1 REQ'D

NOT SHOWN:  
MOUNTING SCREWS - TYPE "F" #8-32 x 1/2" LG  
SLOTTED ROUND HEAD SCREW (3 REQ'D)

SHEET NO. HY-140	TITLE 46907 OIL BREATHER CAP	DATE 3-27-98	R	J. H. FLETCHER & CO. 402 HIGH STREET HUNTINGTON, W.VA.
---------------------	---------------------------------	-----------------	---	---



**6 REQ'D**

4 REQ'D FOR THE PUMP SECTIONS

1 REQ'D FOR THE BRAKES

1 REQ'D FOR THE TRS ACCUMULATOR

**SHEET NO.**

**HY-193**

**TITLE**

18289 0-3000 PSI GUAGE

**DATE**

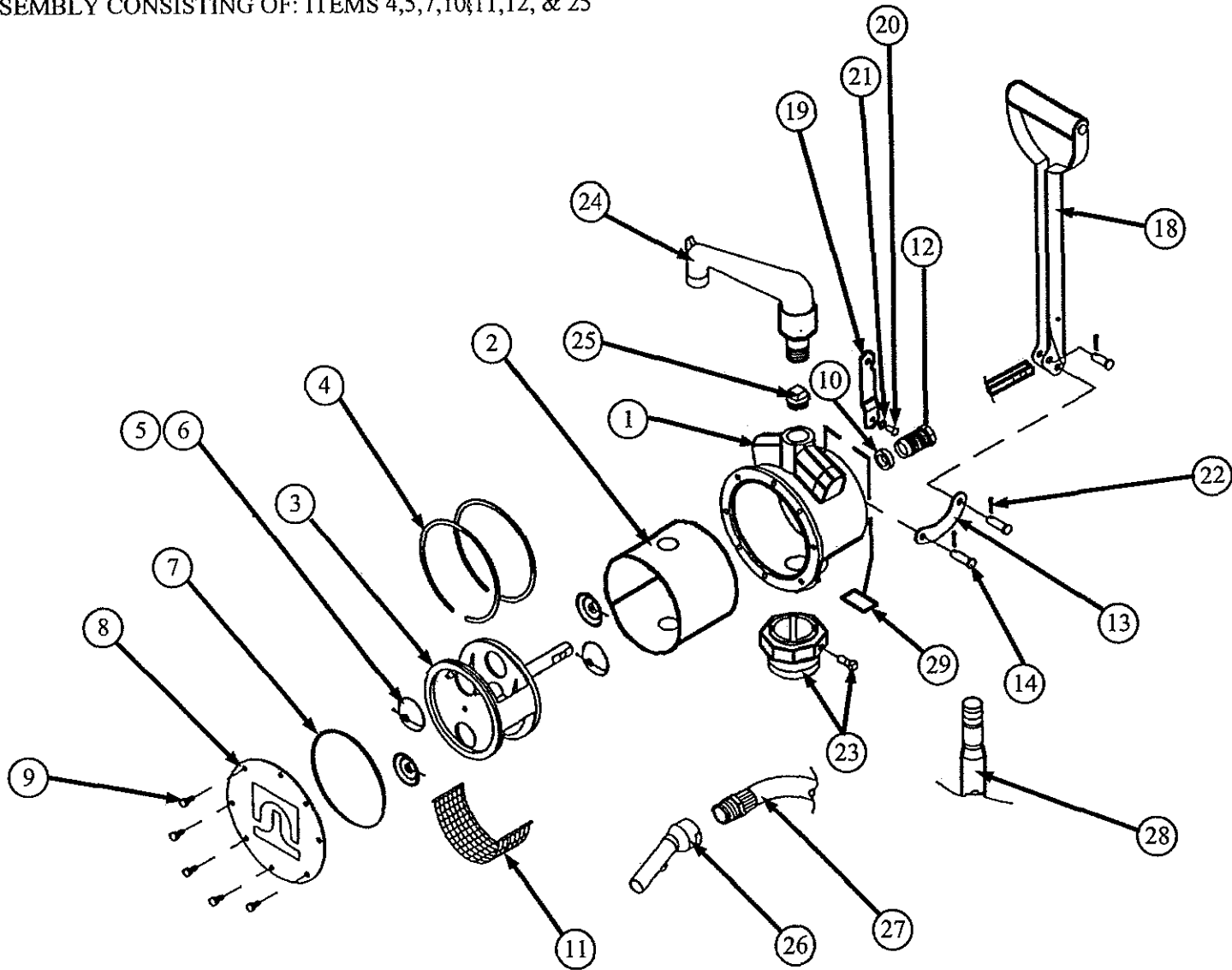
3-26-98

**R**

**J. H. FLETCHER & CO.**

402 HIGH STREET HUNTINGTON, W.VA.

THESE ITEMS ARE THE ONLY REPLACEABLE PARTS FOR THIS PUMP  
 143431 HANDLE ASSEMBLY CONSISTING OF: ITEMS 13,14,17,18, & 22  
 135282 REPAIR KIT ASSEMBLY CONSISTING OF: ITEMS 4,5,7,10,11,12, & 25

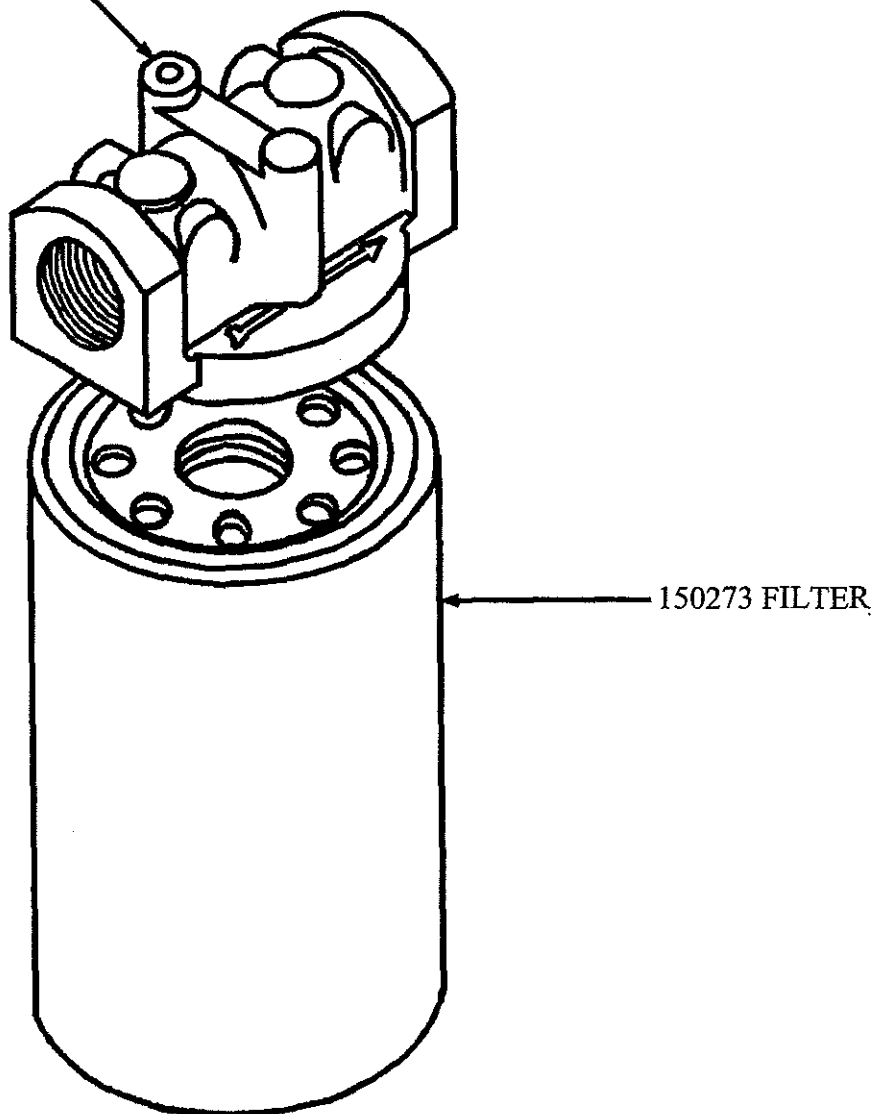


NOTE: 143837 HAND PUMP WITH MOUNTING PARTS

<p>SHEET NO. HY-290</p>	<p>TITLE HAND PUMP ASSEMBLY</p>	<p>DATE 12-22-97</p>	<p>R</p>	<p>J. H. FLETCHER &amp; CO. 402 HIGH STREET HUNTINGTON, W.VA.</p>
-----------------------------	-------------------------------------	--------------------------	----------	---



NOTE: NO PARTS RECOMMENDED FOR FIELD SERVICE, REPLACE THE COMPLETE ASSEMBLY



SHEET NO.

HY-318

TITLE

HAND PUMP FILTER

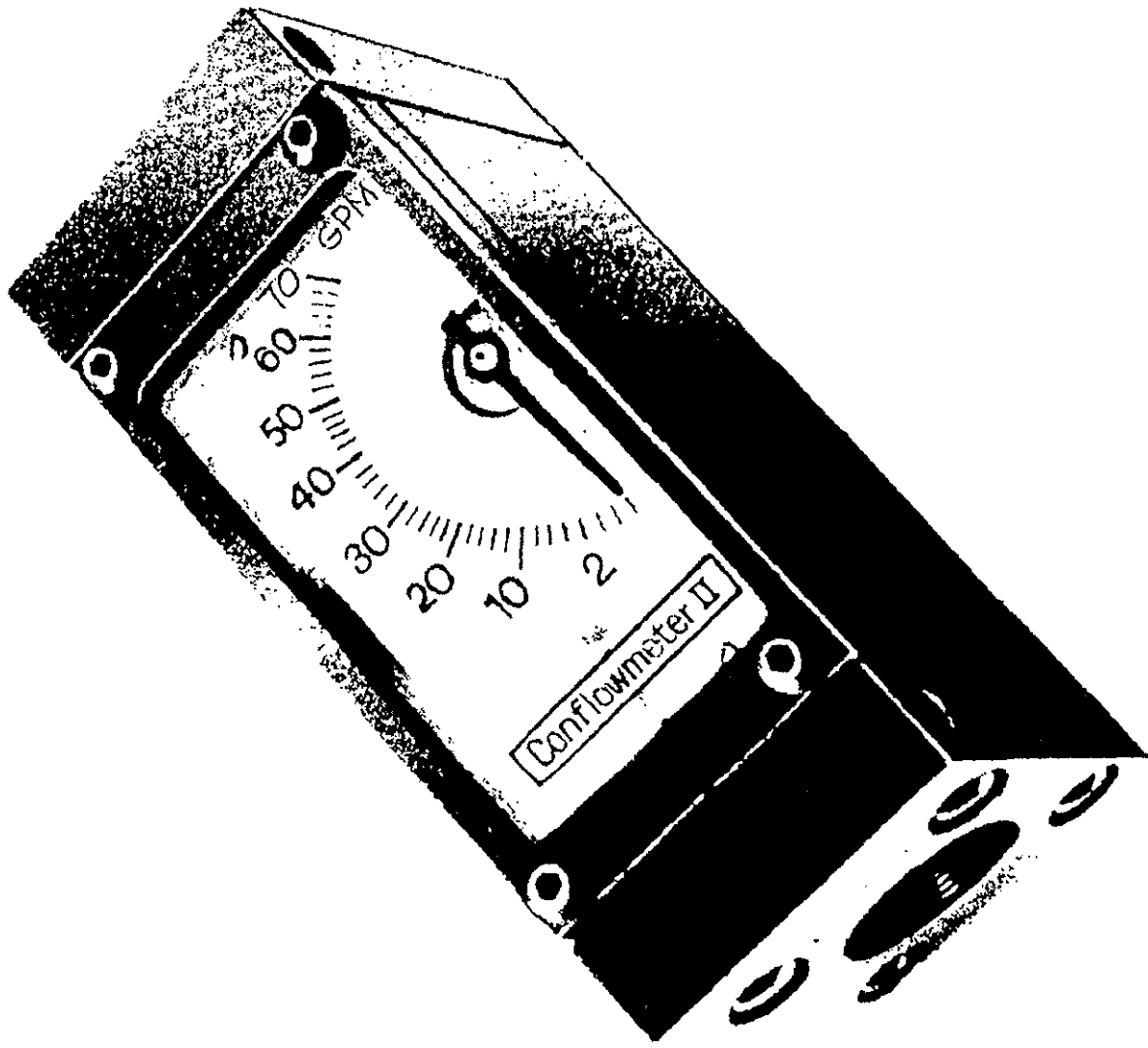
DATE

3-26-98

R

J. H. FLETCHER &amp; CO.

402 HIGH STREET HUNTINGTON, W.VA.

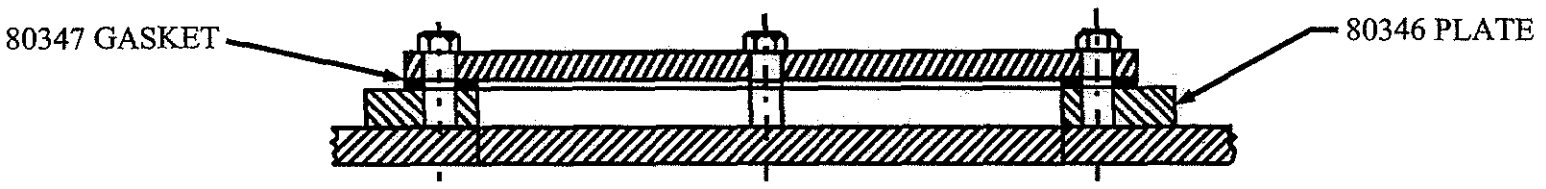
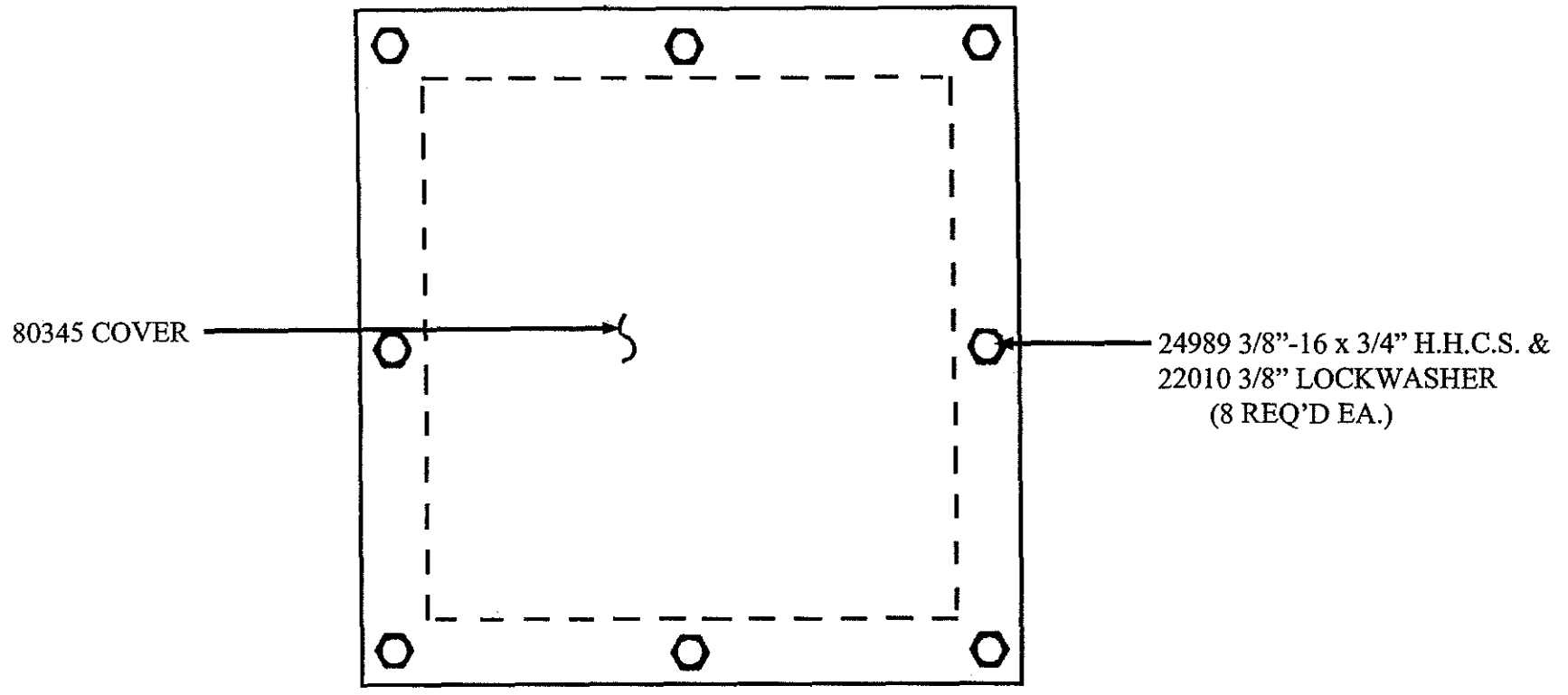


SHEET NO.  
HY-195

TITLE  
36924 FLOW METER ASSEMBLY

DATE  
11/18/82

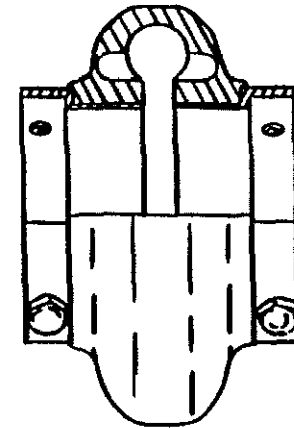
J.H. FLETCHER & CO.  
402 HIGH STREET HUNTINGTON, W.VA



1 REQ'D

SHEET NO. MY-126	TITLE 80348 CLEANOUT ASSEMBLY	DATE 3-26-98	R	J. H. FLETCHER & CO. 402 HIGH STREET HUNTINGTON, W.VA.
---------------------	----------------------------------	-----------------	---	---

40846 URETHANE FLEX ELEMENT



40845 HUB  
(PUMP SIDE)

40851 HUB  
(MOTOR SIDE)

3/8"-16x5/8"LG.  
HEX HD. CAP SCREW  
(8 REQ'D)

NOT SHOWN:  
MOTOR SIDE, BT-2 KEY (1 REQ'D)  
1/2-13x1/2"LG. SET SCREW (2 REQ'D)

PUMP SIDE, 23765 KEY (1 REQ'D)  
5/16-18x1/2"LG. SET SCREW (2 REQ'D)

SHEET NO.

MY-47B

TITLE

40850 COUPLING ASSEMBLY

DATE

10/14/80

R

**J. H. FLETCHER & CO.**

707 WEST 7TH STREET HUNTINGTON, W. VA.