

INDEX FOR TRAM SYSTEM

94033

<u>DESCRIPTION</u>	<u>PART NO.</u>	<u>SHEET NO.</u>	<u>NO. REQ'D</u>
FRONT & REAR LIFT CYLINDER	56912	HC-515	4
TRAM DRIVE MOTOR ASSEMBLY	41803	HM-58	2
TRAM DRIVE SPROCKET & CHAIN ASSEMBLY		MA-200	2
WHEEL HUB ASSEMBLY	43896	MA-309	4
TRAM MOTOR SPROCKET ASSEMBLY		MA-310	2
FRONT DRIVE COUNTERSHAFT ASS'Y		MA-311	2
REAR DRIVE COUNTERSHAFT ASS'Y		MA-312	2
WHEEL ASSEMBLY	53216	MA-549	4
DISC BRAKE CALIPER ASSEMBLY	53777	MC-21	4
FRONT LIFT ASSEMBLY	237692	MY-1141	1
REAR LIFT ASSEMBLY	237711	MY-1142	1

53216 SETCO WHEEL ASSEMBLY
(SEE SHEET MA-549)

237711 REAR LIFT ASSEMBLY
(SEE SHEET MY-1142) &
56912 REAR LIFT CYLINDER
(SEE SHEET HC-515)

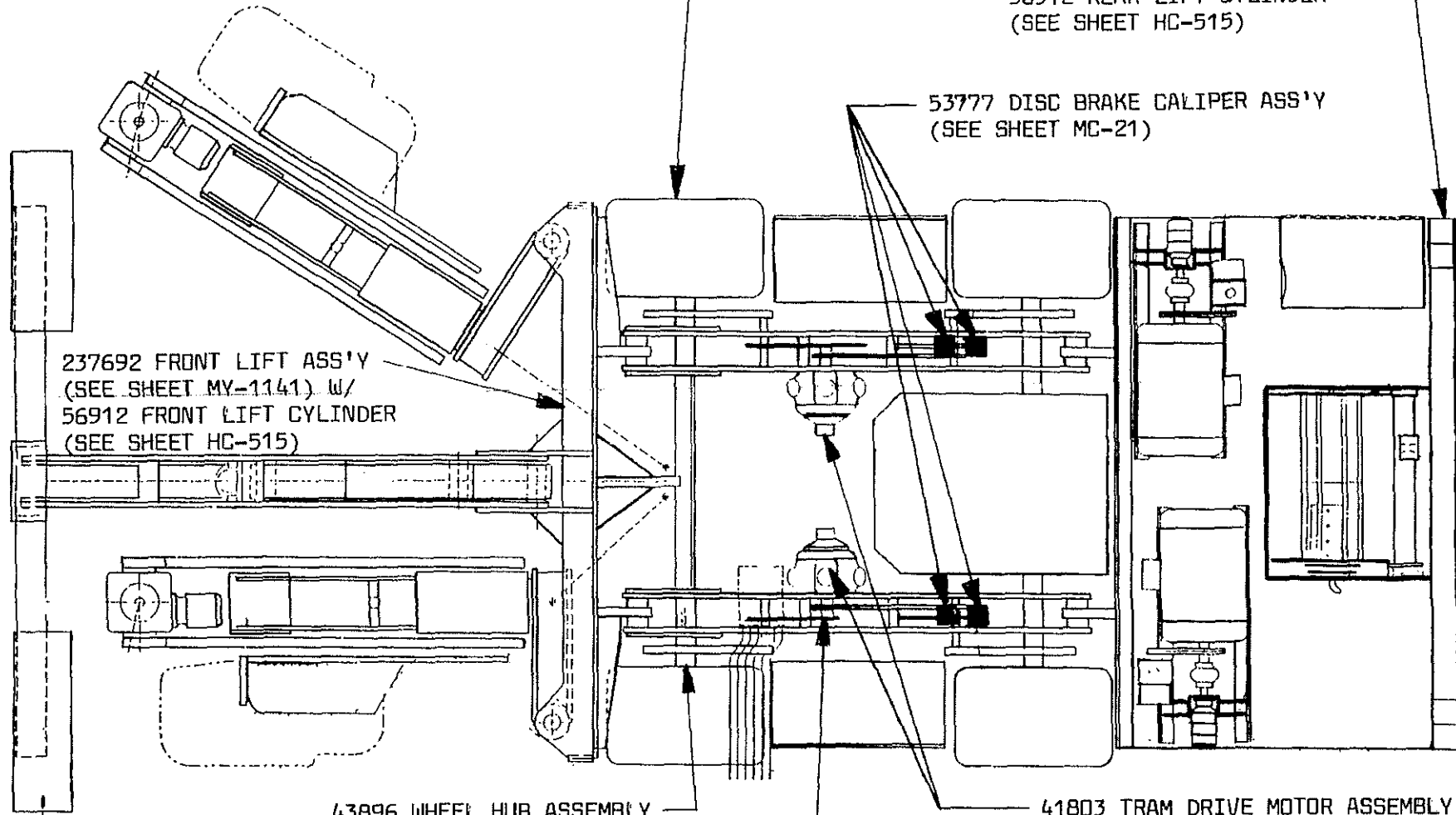
53777 DISC BRAKE CALIPER ASS'Y
(SEE SHEET MC-21)

237692 FRONT LIFT ASS'Y
(SEE SHEET MY-1141) w/
56912 FRONT LIFT CYLINDER
(SEE SHEET HC-515)

43896 WHEEL HUB ASSEMBLY
(SEE SHEET MA-309)

41803 TRAM DRIVE MOTOR ASSEMBLY
(SEE SHEET HM-58)

TRAM DRIVE ARRANGEMENT
(SEE SHEET MA-200)



SHEET NO.

TITLE

DATE

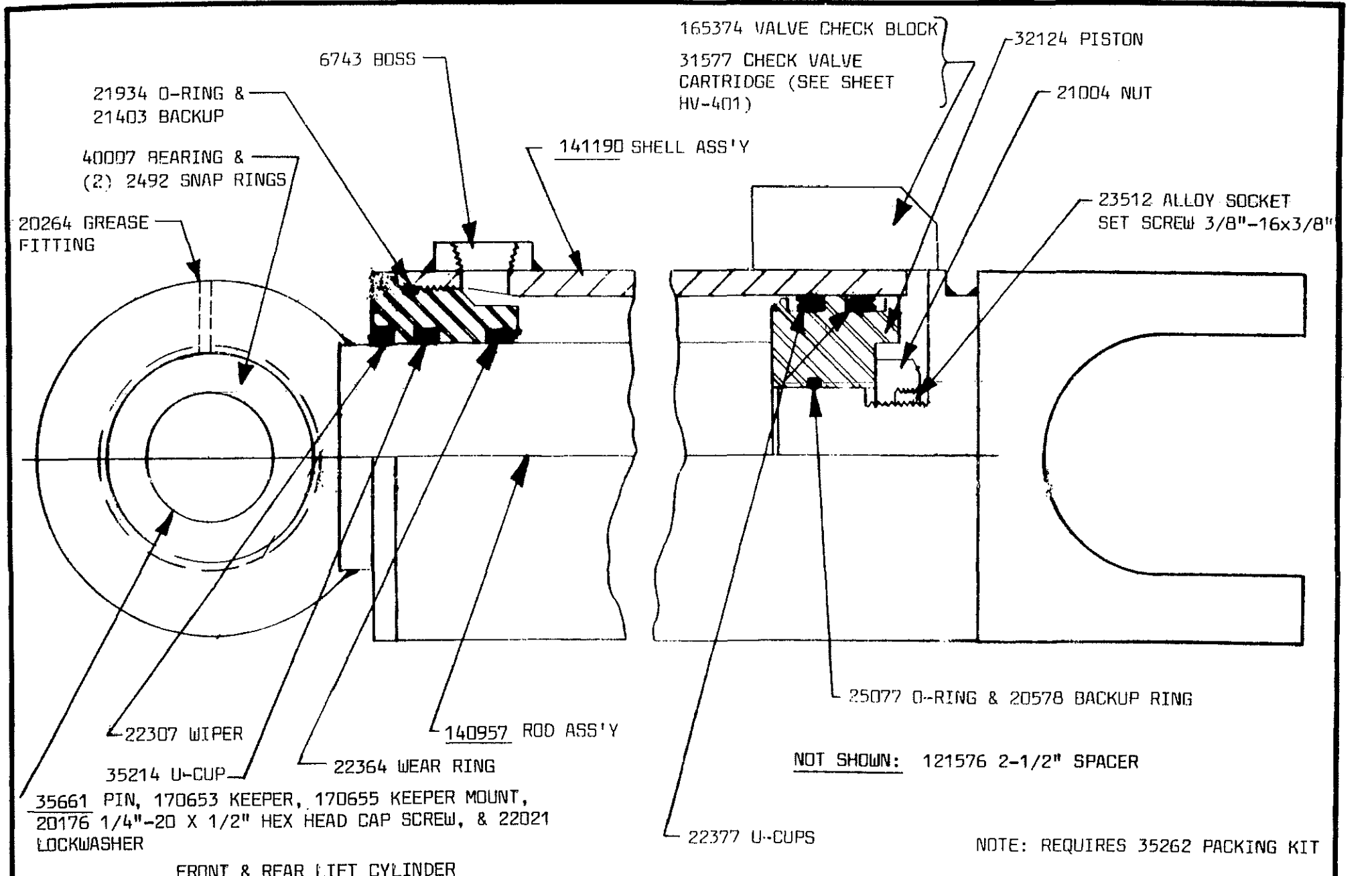
R

LOCATIONS FOR TRAM SYSTEM

J. H. FLETCHER & CO.

402 HIGH STREET

HUNTINGTON, W. VA.



FRONT & REAR LIFT CYLINDER

SHEET NO.	TITLE	DATE	R	J. H. FLETCHER & CO.
HC-515	56912 HYDRAULIC CYLINDER ASSEMBLY	9-26-91		707 WEST 7TH STREET HUNTINGTON, W. VA.

U.S. & BLUEPRINT / 18319 FORM # 5039

SHEET NO.

TITLE

DATE

J.H. FLETCHER & CO.

HM-58

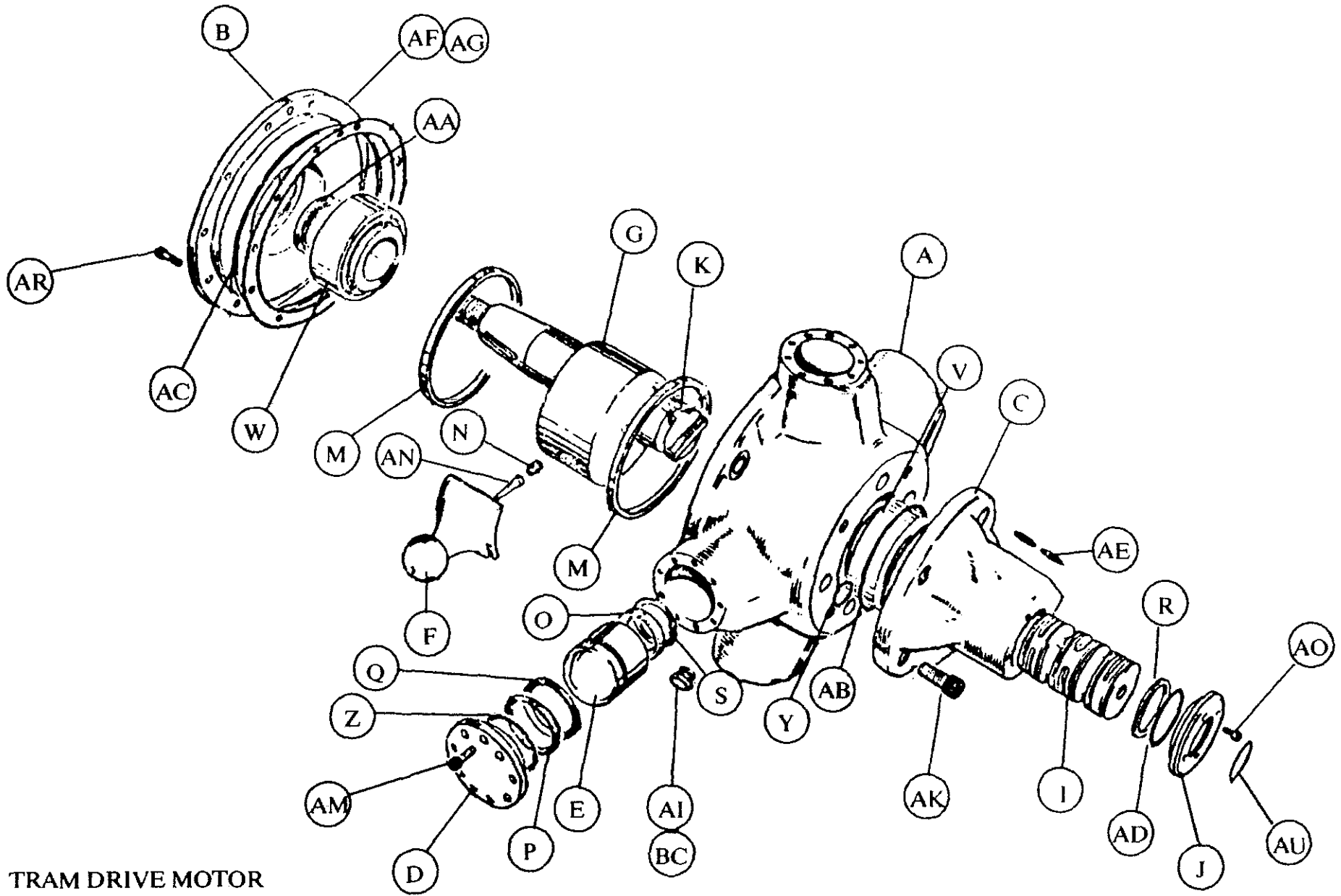
41803 STAFFA DRIVE MOTOR

9/9/92

402 HIGH STREET

HUNTINGTON, W.VA.

<u>ITEM</u>	<u>DESCRIPTION</u>	<u>PART NO.</u>	<u>NO. REQ'D</u>	<u>ITEM</u>	<u>DESCRIPTION</u>	<u>PART NO.</u>	<u>NO. REQ'D</u>
A	MOTOR CASE	45115	1	AB	O-RING	21324	1
B	FRONT COVER	45116	1	AO	5/16" UNF X 1/2" S.H.C.S.	20194	4
W	FRONT BEARING	40249	1	AK	5/8" UNF X 1-3/4" S.H.C.S.	20196	5
V	REAR BEARING	48851	1	E	PISTON	45119	5
D	CYLINDER HEAD	45118	5	F	CONNECTING ROD	45120	5
P	PISTON SEAL	24433	5	AN	FILTER	46781	5
Q	BACK-UP PISTON SEAL	24280	5	N	RESTRICTOR SCREW	23147	5
M	CONNECTING ROD	24026	2	O	PISTON RETAINING	24027	10
	RETAINING RING				HALF RING		
AF	SHIM A-.002," B-.005," C-.010"	21537	AS REQ'D	S	CIRCLIP	24028	5
AG	SHIM .032" THICK	21735	AS REQ'D	G	CRANKSHAFT	30592	1
AA	SHAFT SEAL	24282	1		(SPLINED)		
AC	O-RING	21325	1	AU	NAMEPLATE	N/A	1
Z	O-RING	21323	5				
AR	3/8" UNF X 1" S.H.C.S.	24828	10				
AM	3/8" UNF X 1" S.H.C.S.	20197	45				
AI	DRAIN PLUG	32730	2				
BC	BONDED SEAL	24434	2				
C	VALVE HOUSING	45117	1				
I	VALVE SPOOL	45121	1				
J	VALVE END CUP	45122	1				
R	VALVE SEAL RING	24281	12				
K	OLDHAM COUPLING	23146	1				
AD	O-RING	21326	1				
Y	O-RING	21322	5				
AE	O-RING	34101	2				
	(FOR MOTION CONTROL VALVE)						
					NOT SHOWN: 24930 MOUNTING BOLTS FOR MOTION CONTROL VALVE (12 REQ'D)		
					NOT SHOWN: 20160 3/4"-10 X 3" H.S.H.C.S., 20764 3/4"-10 NYLON HEX NUT, 22022 3/4" LOCKWASHER (10 REQ'D EA.)		
					NOTE: TORQUE MOTOR MOUNTING BOLTS TO 200 FT. LBS.		



TRAM DRIVE MOTOR

SHEET NO.

HM-58

TITLE

41803 HYDRAULIC MOTOR ASSEMBLY

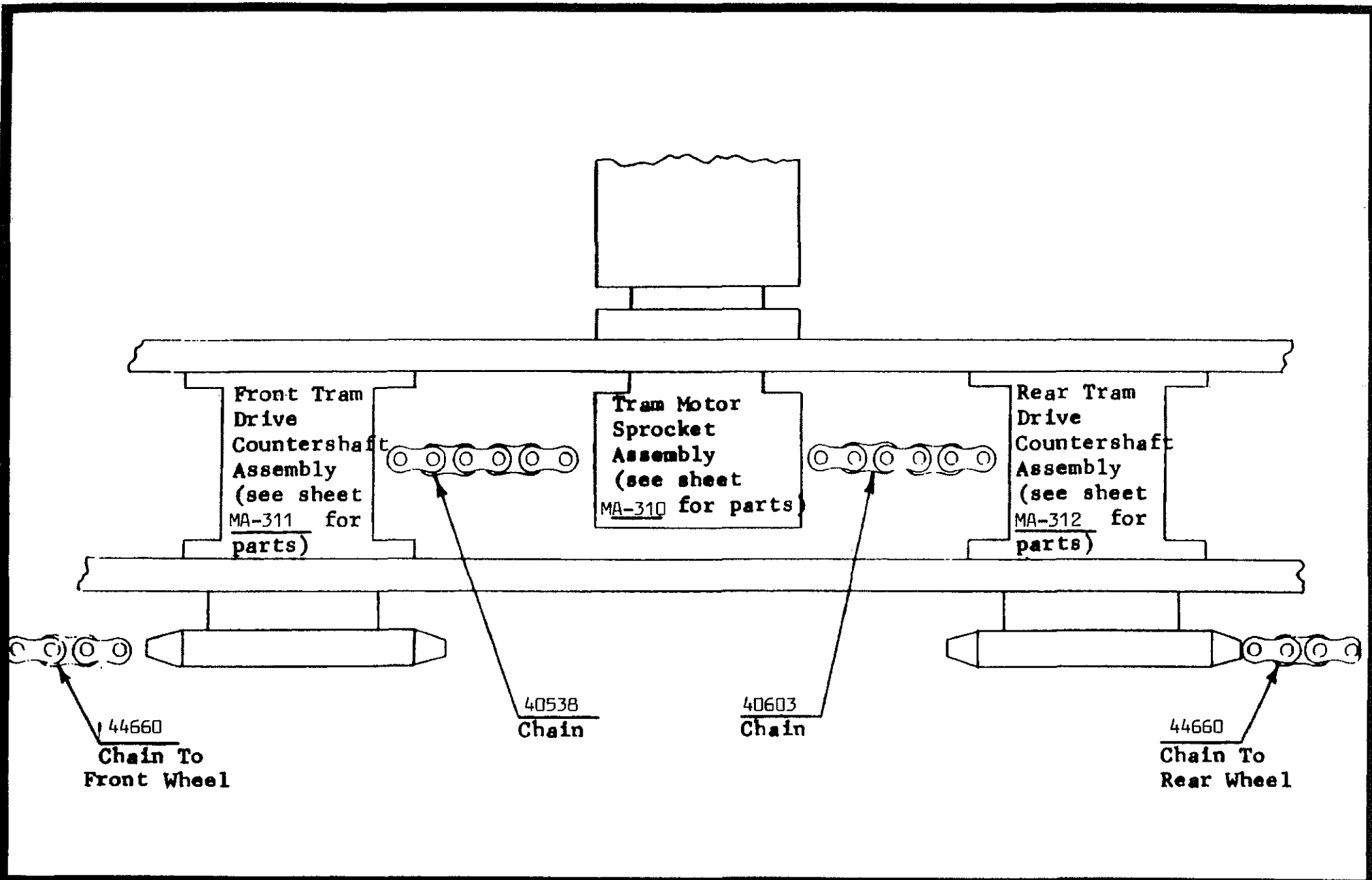
DATE

9/9/92

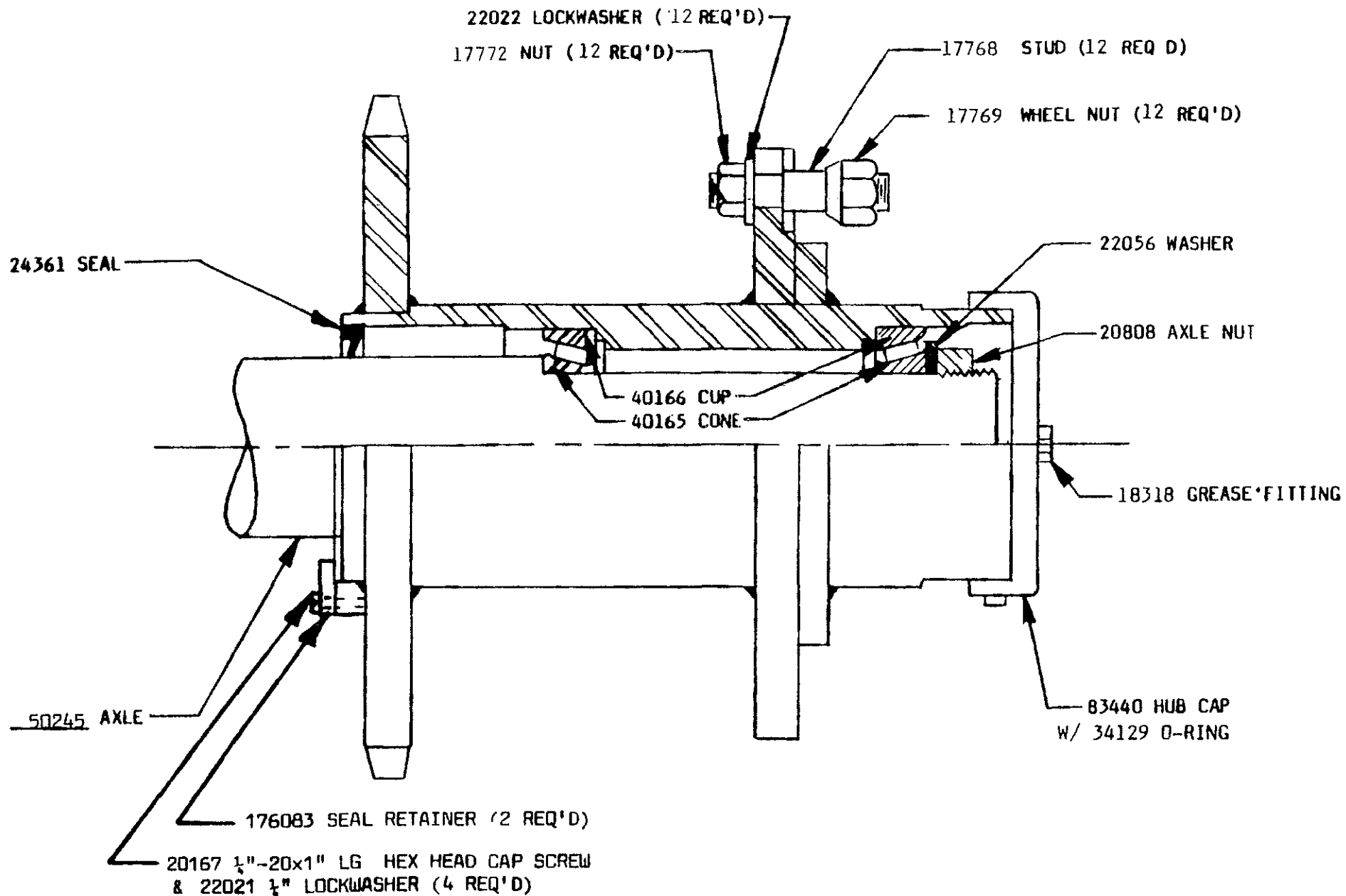
J.H. FLETCHER & CO.

402 HIGH STREET

HUNTINGTON, W.VA.



SHEET NO.	TITLE	DATE	J.H. FLETCHER & CO.
MA-200	TRAM DRIVE SPROCKET & CHAIN ASS'Y	11-21-73	402 HIGH STREET HUNTINGTON, W.VA.



SHEET NO.

TITLE

DATE

J.H. FLETCHER & CO.

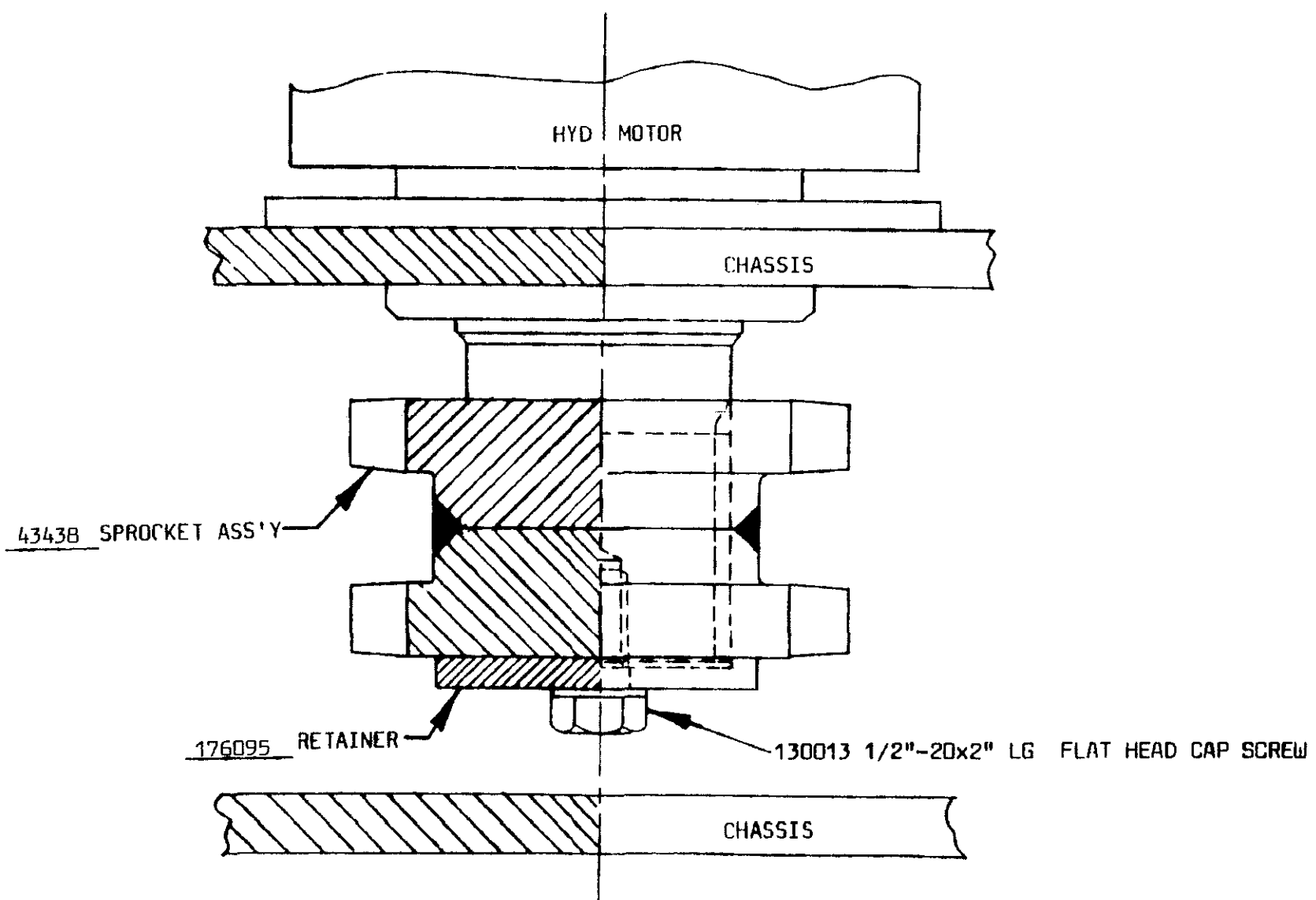
MA-309

43896 WHEEL HUB ASSEMBLY

3/24/81

402 HIGH STREET

HUNTINGTON, W.VA.



SHEET NO.

MA-310

TITLE

TRAM MOTOR SPROCKET ASSEMBLY

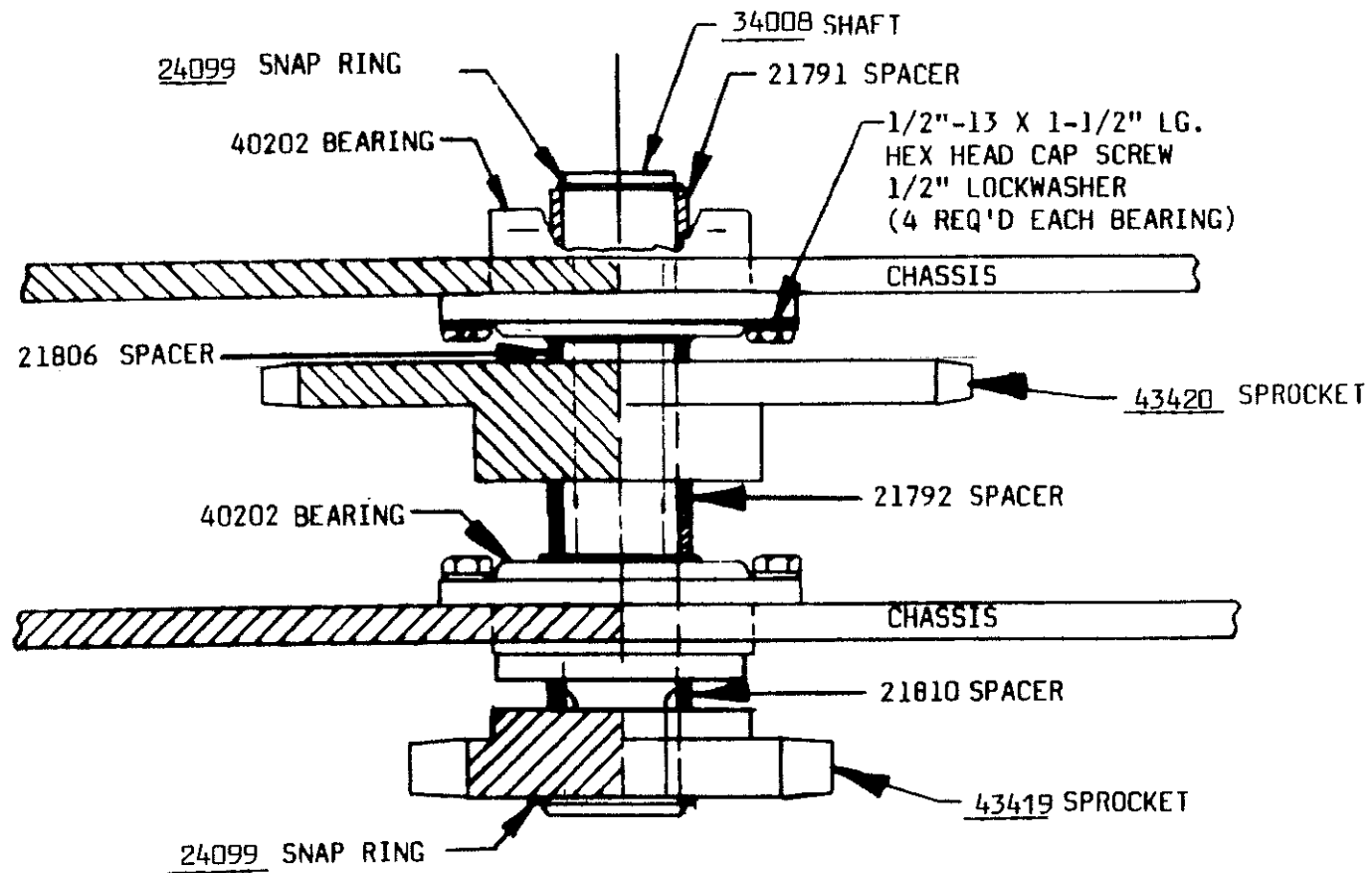
DATE

3/25/81

J.H. FLETCHER & CO.

402 HIGH STREET

HUNTINGTON, W.VA.



SHEET NO.

TITLE

DATE

J.H. FLETCHER & CO.

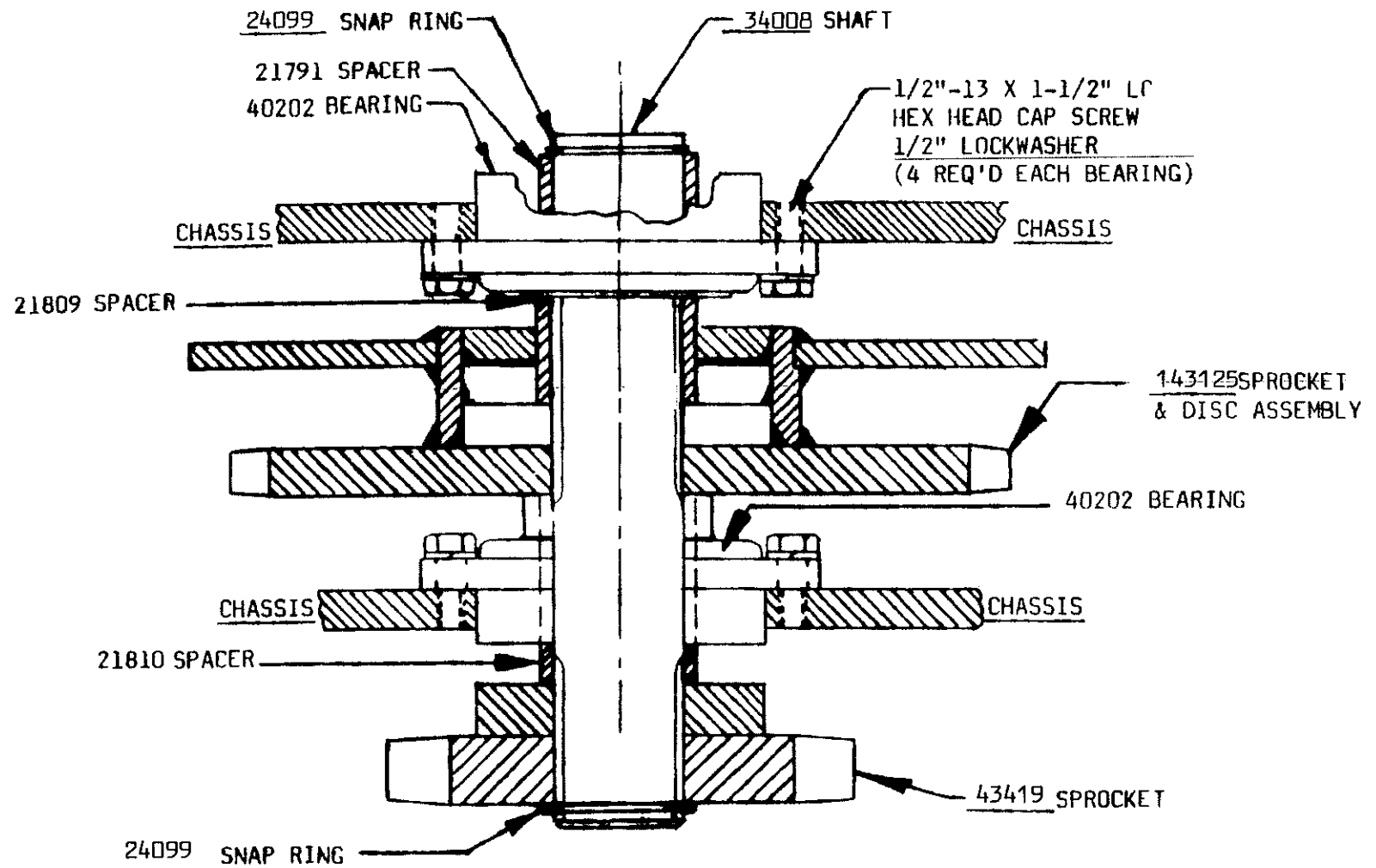
MA-311

TRAM DRIVE COUNTERSHAFT ASSEMBLY

3-25-81

402 HIGH STREET

HUNTINGTON, W.VA.



SHEET NO.

MA-312

TITLE

TRAM DRIVE COUNTERSHAFT ASSEMBLY

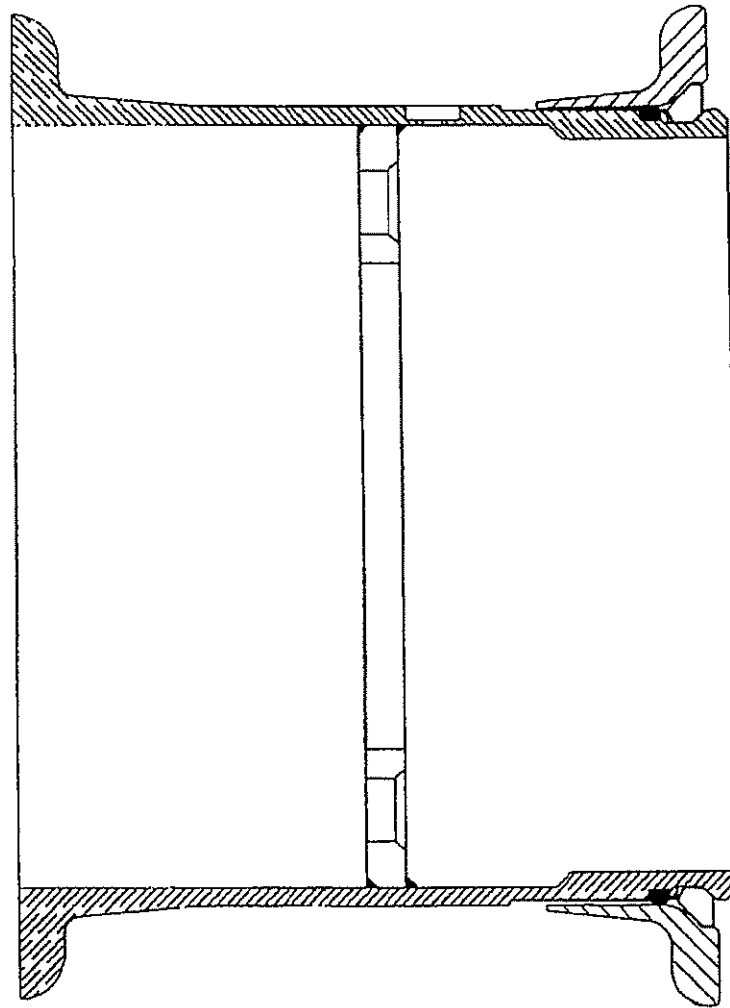
DATE

3/25/81

J.H. FLETCHER & CO.

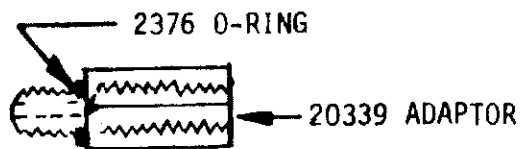
492 HIGH STREET

HUNTINGTON, W.VA.

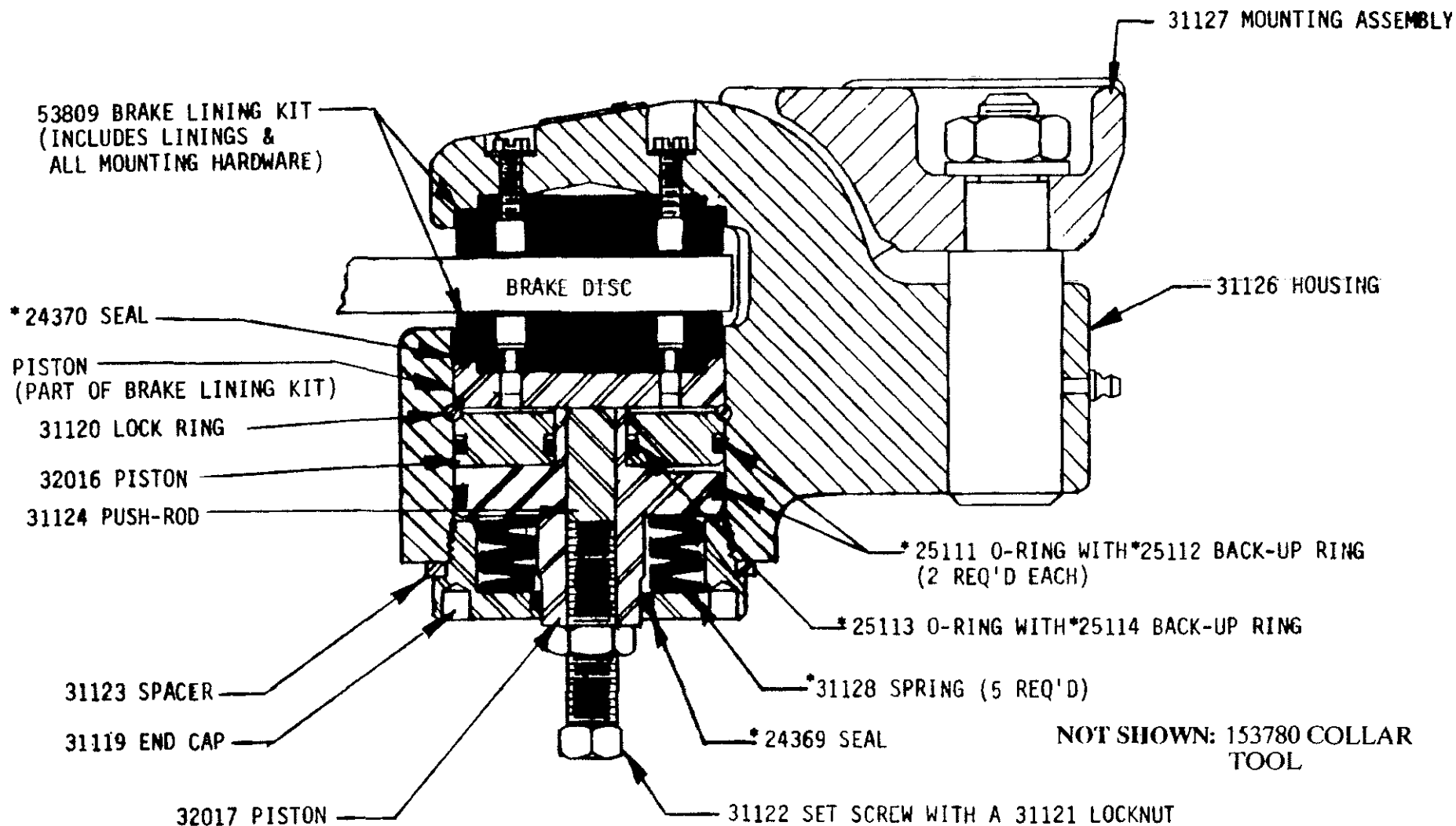


32" - 14.5 X 15 - 24 PLY TIRE

SHEET NO.	TITLE	DATE	J.H. FLETCHER & CO.	
MA-549	53216 WHEEL ASSEMBLY	3-4-96	402 HIGH STREET	HUNTINGTON, W. VA.



NOTE * INDICATES PARTS INCLUDED IN
153781 SOFTWARE KIT



NOT SHOWN: 153780 COLLAR
TOOL

SHEET NO.

TITLE

DATE

J.H. FLETCHER & CO.

MC-21

53777 DISC BRAKE CALIPER ASSEMBLY

12-27-82

402 HIGH STREET

HUNTINGTON, W.VA.

*46341 BOOM PIVOT PIN, *21919 SPACER, *40660 CONE, *20808 HEX NUT, *35484 3/8" X 4" COTTER PIN, & *22499 1/4" FELT

*35599 TRS MOUNTING PIN, *20900 HEX NUT, & *33590 3/8" X 3" COTTER PIN

190980 BUSHING, *190983 FRONT LIFT PIVOT PIN, *20808 HEX NUT, & *22056 FLAT WASHER (2 EA. REQ'D)

*35661 FRONT LIFT CYLINDER (ROD END) PIN, *170653 KEEPER, *170655 KEEPER MOUNT, *20176 1/4"-20 X 1/2" HEX HEAD CAP SCREW, & *22022 1/4" LOCKWASHER

*35943 BOOM SWING CYLINDER PIN & *33552 1/4" X 1-1/2" COTTER PIN

NOTE: * INDICATES ITEMS NOT PART OF ASSEMBLY

SHEET NO.

MY-1141

TITLE

237692 FRONT LIFT ASSEMBLY

DATE

9/9/94

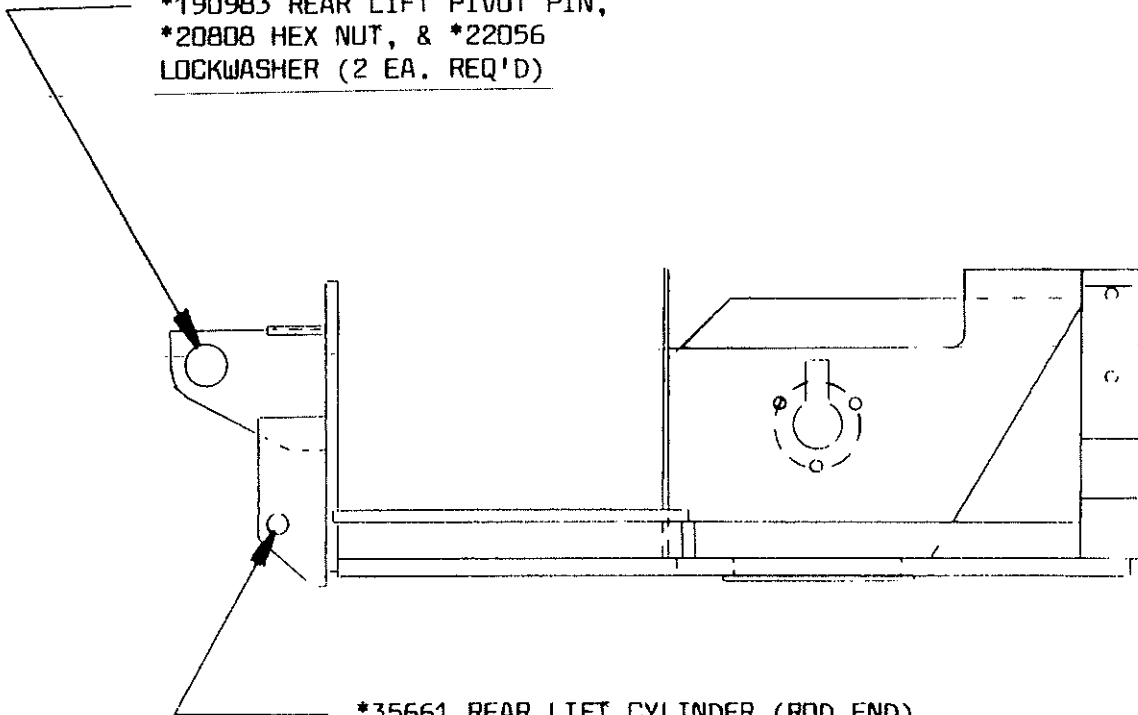
R

J. N. FLETCHER & CO.

402 HIGH STREET

HUNTINGTON, W. VA.

*190983 REAR LIFT PIVOT PIN,
*20808 HEX NUT, & *22056
LOCKWASHER (2 EA. REQ'D)



*35661 REAR LIFT CYLINDER (ROD END)
PIN, *170653 KEEPER, *170655 KEEPER
MOUNT, *20176 1/4"-20 X 1/2" HEX
HEAD CAP SCREW, & *22021 LOCKWASHER

SHEET NO.

MY-1142

TITLE

237711

REAR LIFT ASSEMBLY

DATE

9/9/94

R

J. H. FLETCHER & CO.

402 HIGH STREET

HUNTINGTON, W. VA.