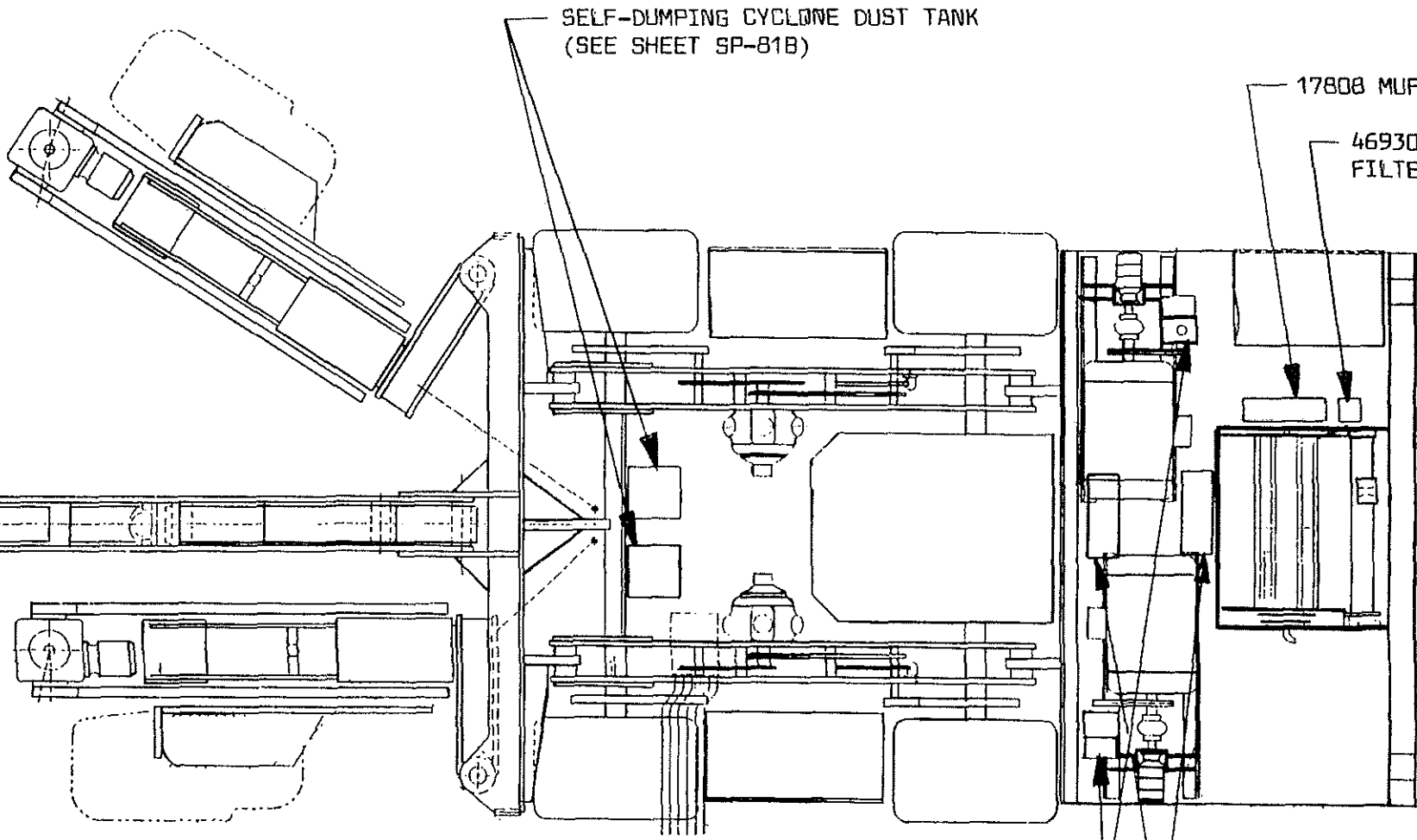


INDEX FOR DUST COLLECTION SYSTEM

94033

<u>DESCRIPTION</u>	<u>PART NO.</u>	<u>SHEET NO.</u>	<u>NO. REQ'D</u>
DUST COLLECTION CIRCUIT			
CYCLONE DUMP CYLINDER	152352	HC-572	2
ELECTRIC MOTOR, PUMP, & BLOWER MOUNT		MY-176	2
BLOWER MOUNT ASSEMBLY	45629	MY-468	2
BLOWER ASSEMBLY	42098	SP-68	2
DUST TANK ASSEMBLY	56229	SP-73	2
SELF-DUMPING CYCLONE DUST TANK		SP-81B	2



SELF-DUMPING CYCLONE DUST TANK
(SEE SHEET SP-81B)

17808 MUFFLER

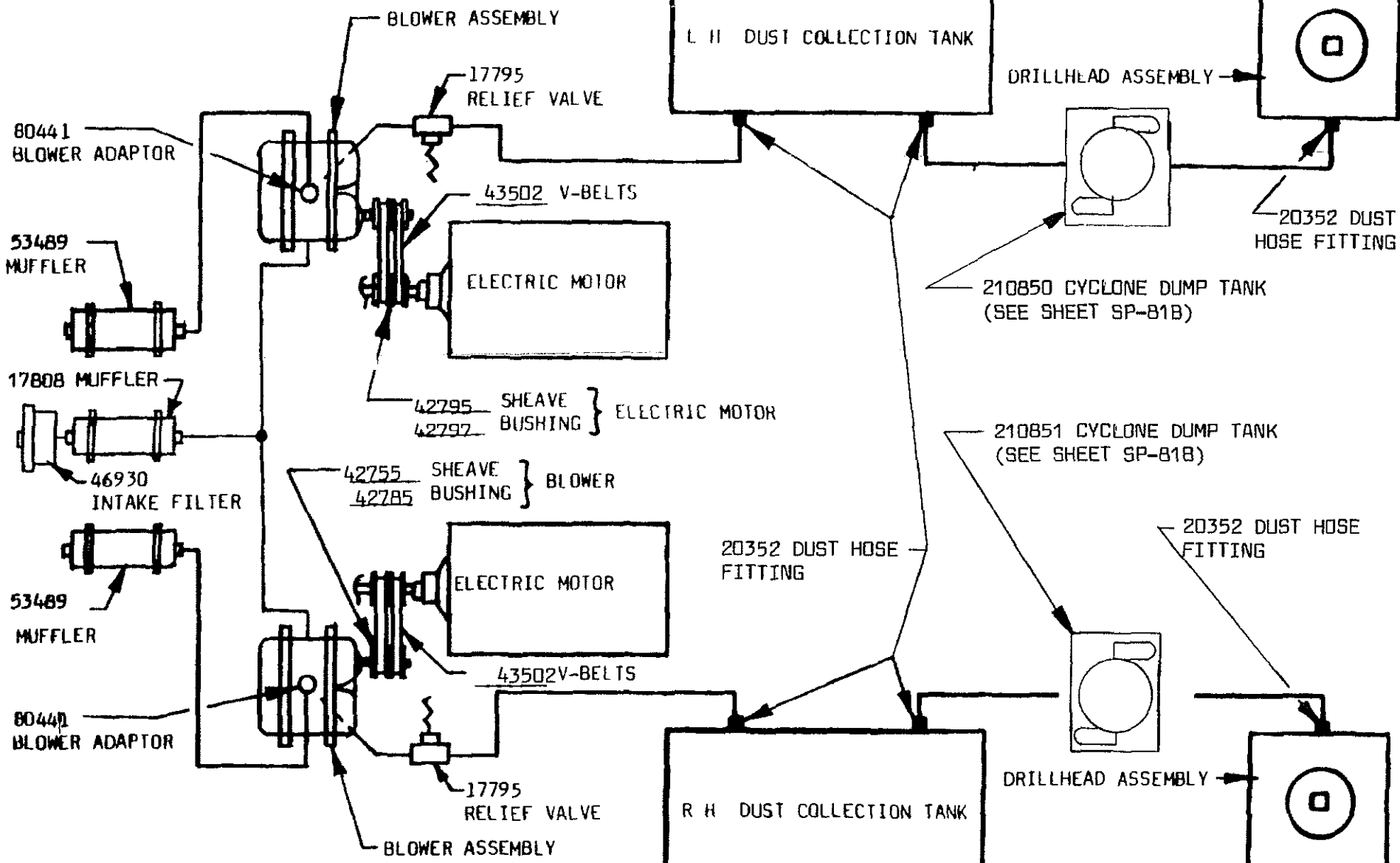
46930 INTAKE
FILTER

42098 BLOWER ASSEMBLY
(SEE SHEET SP-68)

53489 MUFFLER

C & B Blueprint 78319 Form 9300

SHEET NO.	TITLE	DATE	R	J. H. FLETCHER & CO.	
	LOCATIONS FOR DUST COLLECTION			402 HIGH STREET	HUNTINGTON, W. VA.



SHEET NO.

TITLE

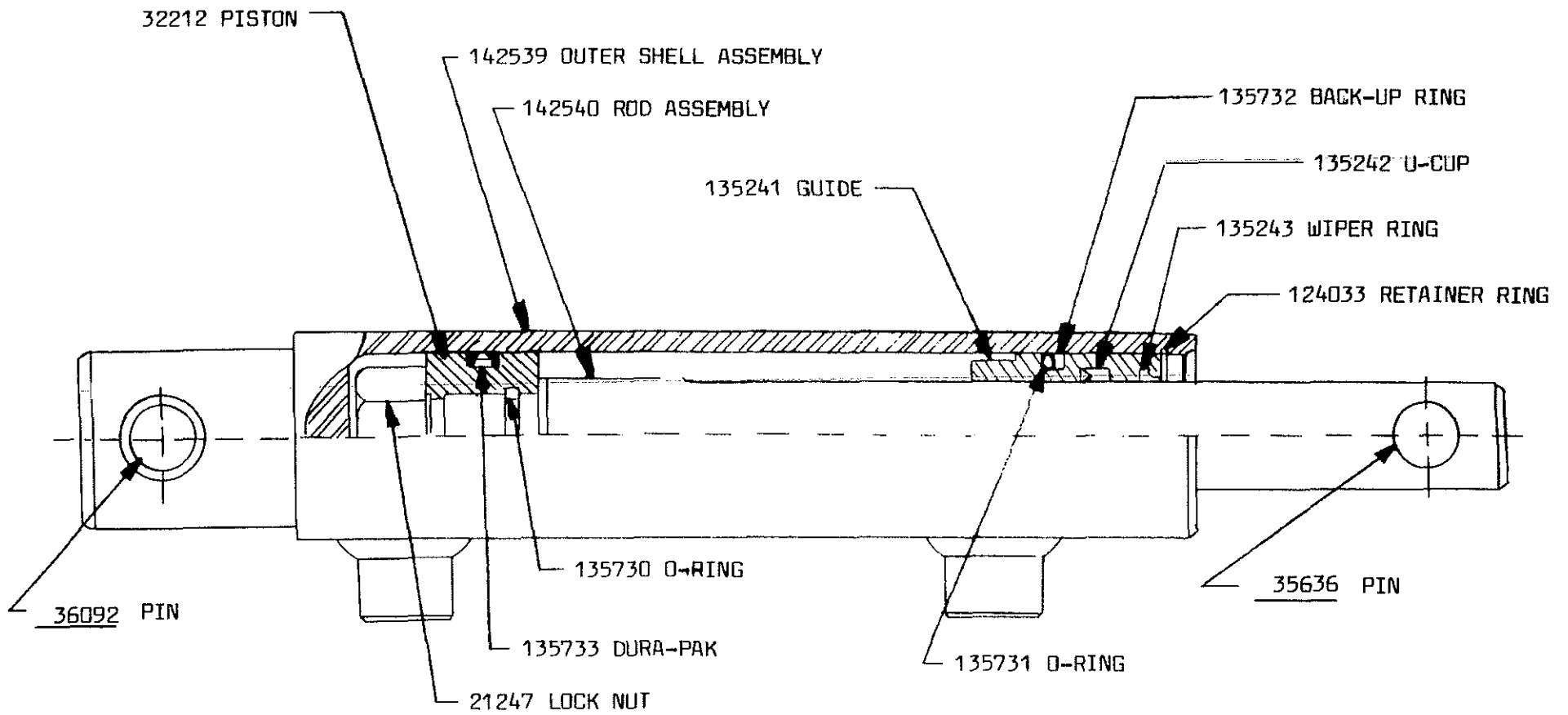
DATE

J.H. FLETCHER & CO.

DUST COLLECTION CIRCUIT

402 HIGH STREET

HUNTINGTON, W.VA.



NOT SHOWN: 30467 1/8" X 1-1/4" COTTER PIN
(FOR BOTH ROD & SHELL END PINS)

CYCLONE DUMP CYLINDER

SHEET NO.

HC-572

TITLE

152352 HYDRAULIC CYLINDER ASSEMBLY

DATE

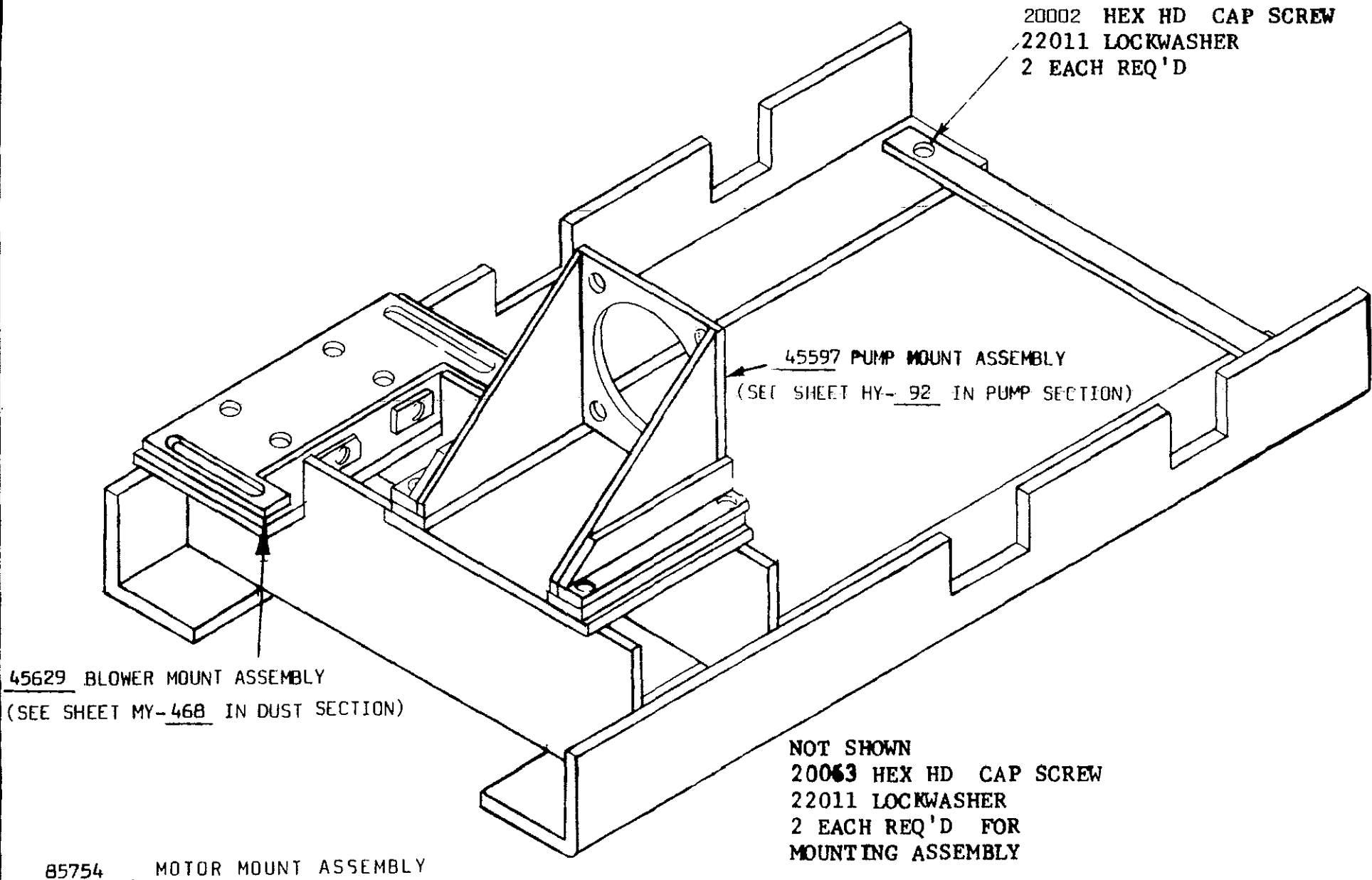
10/10/94

R

J. H. FLETCHER & CO.

402 HIGH STREET

HUNTINGTON, W. VA.



SHEET NO.

MY-176

TITLE

ELECTRIC MOTOR, PUMP & BLOWER
MOUNTING ARRANGEMENT

DATE

3-11-74

J.H. FLETCHER & CO.

402 HIGH STREET

HUNTINGTON, W.VA.

NOT SHOWN

34202 5/16" 10 X 1-1/2" LG
HEX HEAD CAP SCREW
20767 5/16"-18 HEX NUT
22007 5/16" LOCKWASHER
(4 REQ'D EACH)
USED TO MOUNT BLOWER
TO BLOWER FEET

20031 5/16"-18 X1" LG
HEX HEAD CAP SCREW
22007 5/16" LOCKWASHER
(4 REQ'D EACH)

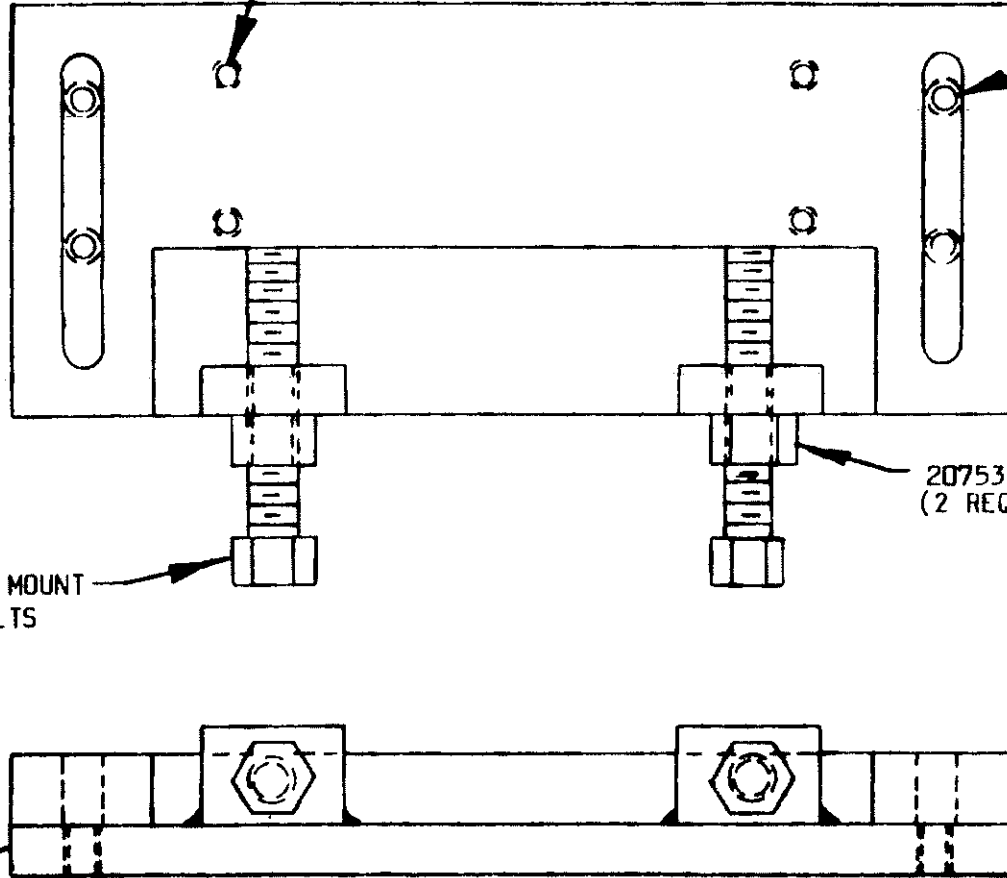
20073 3/8"-16 X 1-1/2" LG
HEX HEAD CAP SCREW
22010 3/8" LOCKWASHER
22019 1/2" FLAT WASHER
(4 REQ'D EACH)

20753 1/2"-13 HEX NUT
(2 REQ'D)

88435 BLOWER MOUNT
ADJUSTING BOLTS
(2 REQ'D)

78166 SLIDE PLATE

166000 SLIDE BASE



NOTE THIS MOUNT USED WHEN THE BLOWER
MOUNTS ON LEFT OF MOTOR VIEWING
FROM SHAFT END

SHEET NO.

TITLE

DATE

J.H. FLETCHER & CO.

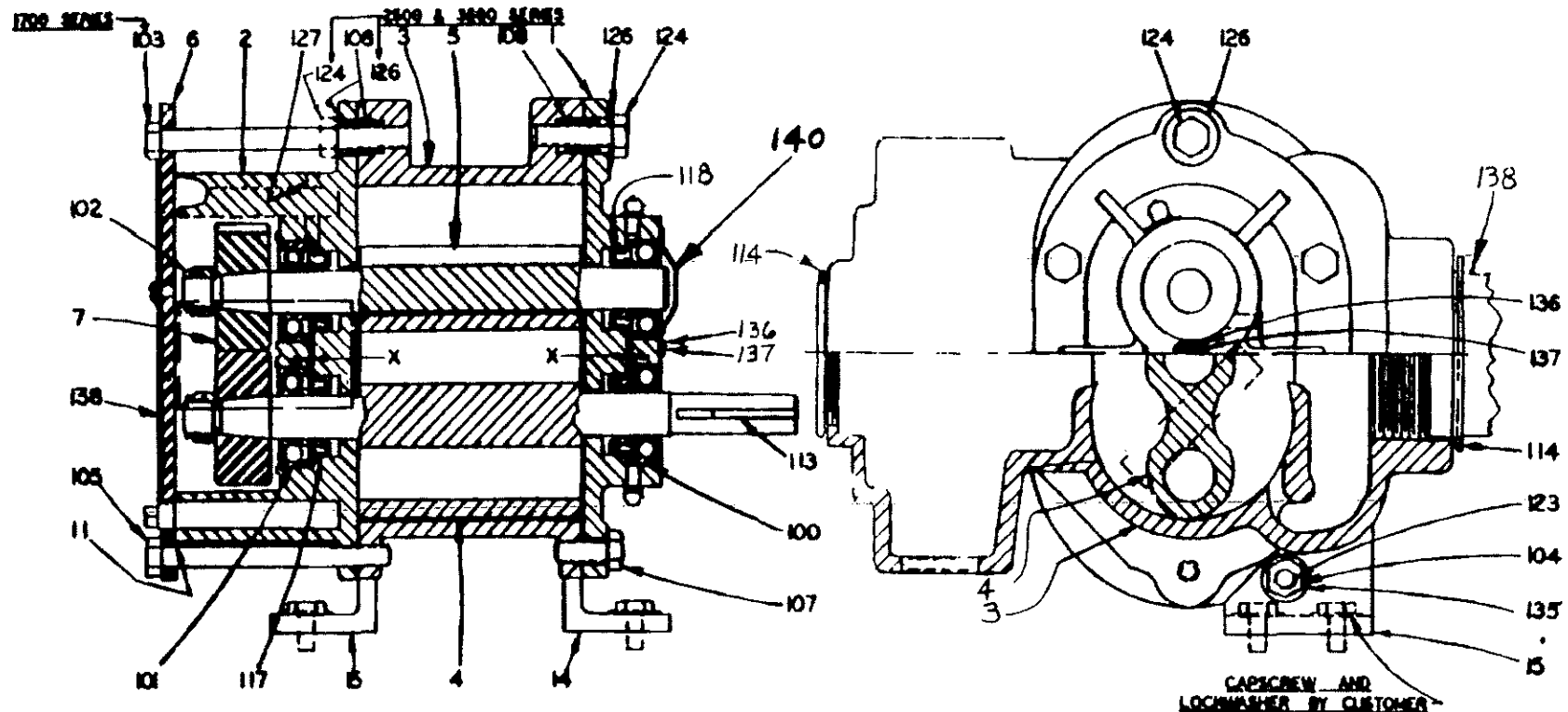
MY-468

45629 PUSHER BLOWER MOUNT ASSEMBLY

3/18/81

402 HIGH STREET

HUNTINGTON, W.VA.



CAPSCREW AND LOCKWASHER BY CUSTOMER

ITEM	PART #	NAME
139	31169	JET INTAKE MANIFOLD
140	53747	BEARING COVER

ITEM	PART NO	NAME	ITEM	PART NO	NAME	ITEM	PART NO	NAME
1	45316	HEADPLATE D E	100	40159	BEARING	114	45318	COVER
2	45317	HEADPLATE G E	101	40160	BEARING	117	24358	SEAL G E
3	48493	CYLINDER	102	20888	NUT	118	24359	SEAL D E
4	30887	IMP & SHAFT	103	24882	SCREW	123	24856	SCREW
5	30888	IMP & SHAFT	104	20890	NUT	124	24857	SCREW
6	47281	COVER	105	24883	SCREW	126	22135	WASHER
7	47282	GEAR	106	24884	SCREW	127	23441	PLUG-EYELET
11	30037	CASNET	107	24855	SCREW	130	23442	ARROW
14	23439	FOOT RIGHT	108	53368	SLEEVE	137	24858	SCREW
15	23440	FOOT LEFT	113	23851	KEY	138	80441	Adaptor

SHEET NO.

TITLE

DATE

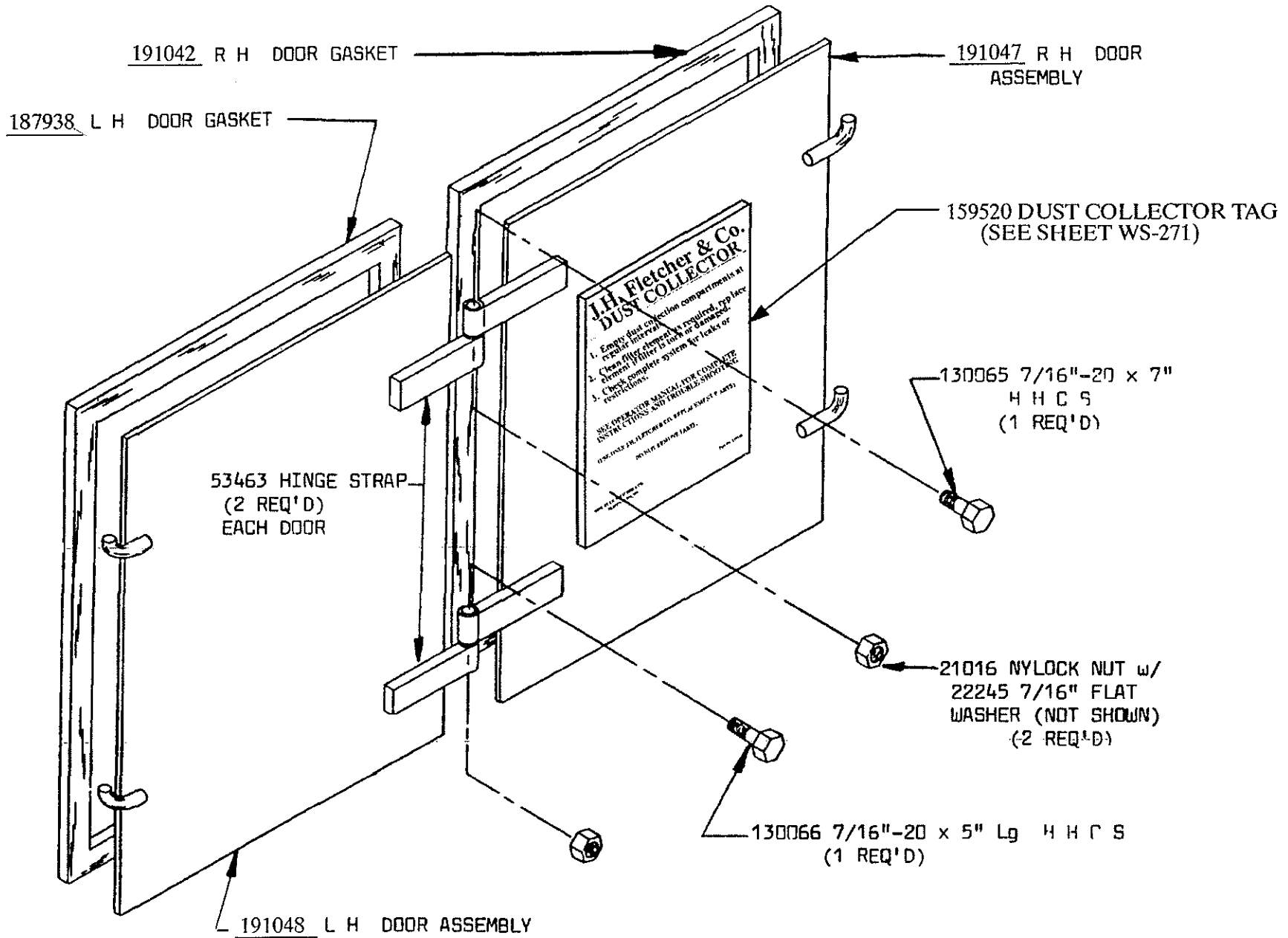
J.H. FLETCHER & CO.

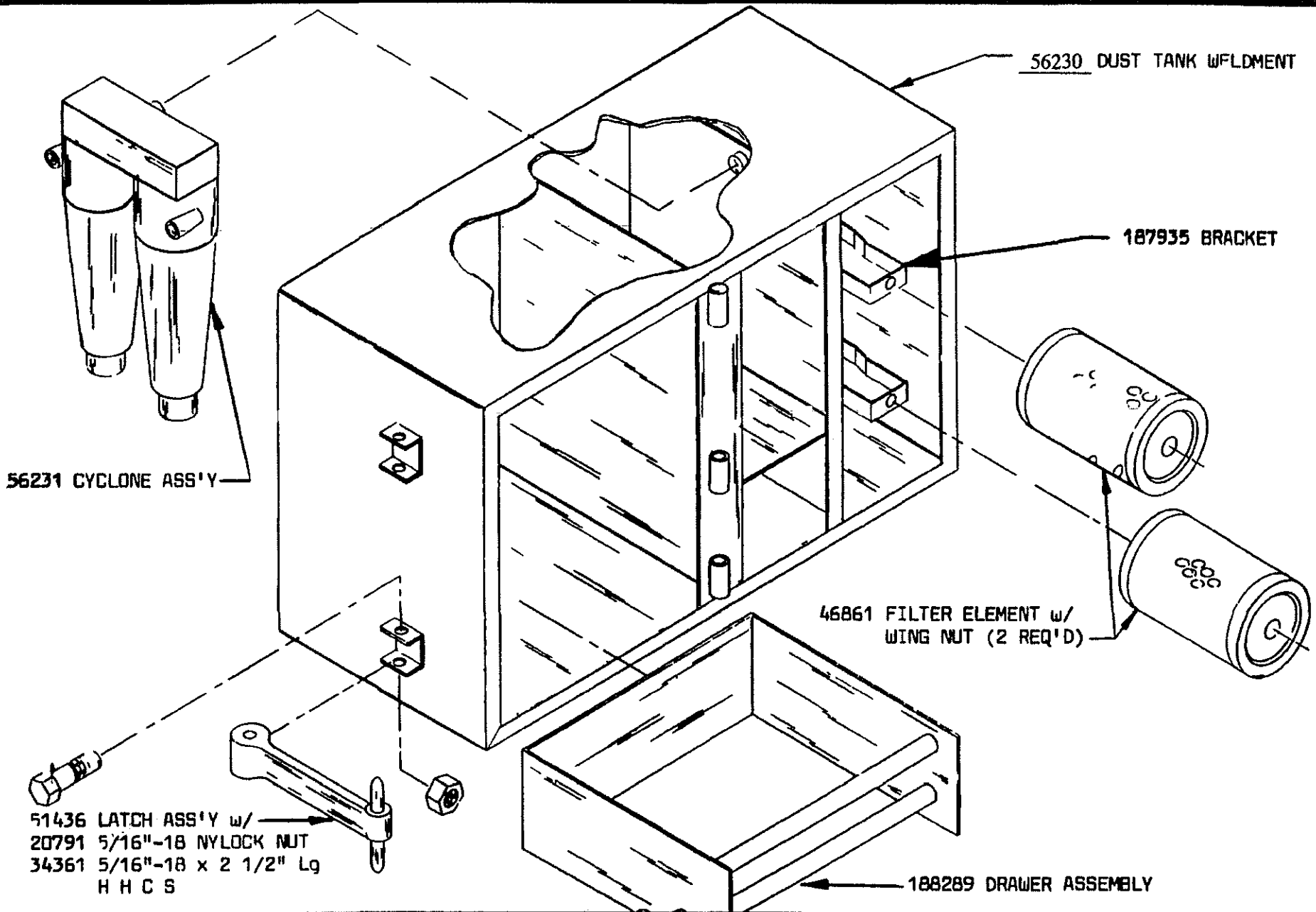
SP-68

42098 ROOTS BLOWER ASSEMBLY

10/6/81

402 HIGH STREET HUNTINGTON, W.VA.





SHEET NO.

SP-73

TITLE

56229 DUST TANK ASSEMBLY

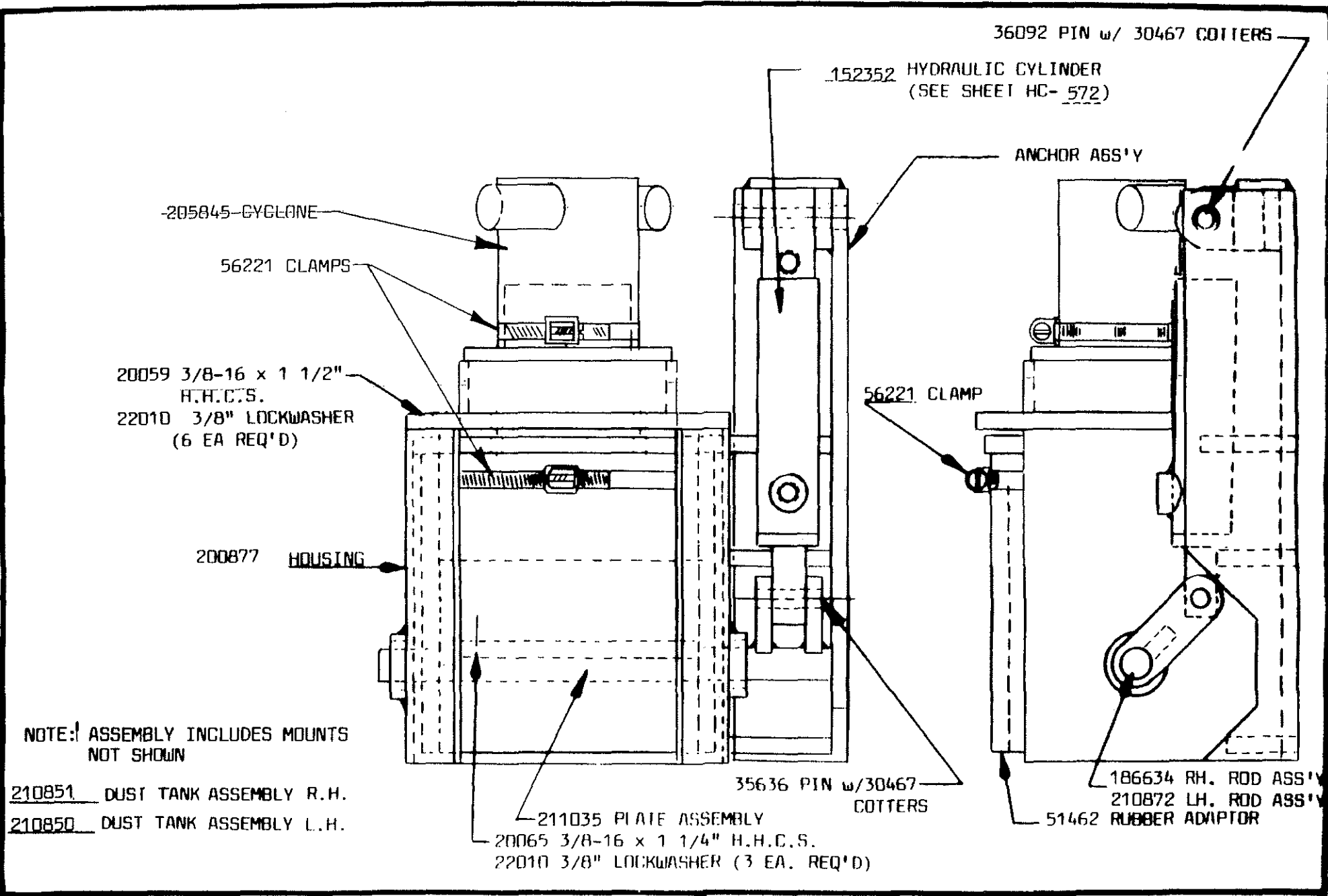
DATE

11/12/92

J.H. FLETCHER & CO.

402 HIGH STREET

HUNTINGTON, W.VA.



SHEET NO.	TITLE	DATE	R	J. N. FLETCHER & CO. 107 WEST 7TH STREET HUNTINGTON, W VA
SP- 81B	SELF-DUMPING CYCLONE DUST TANK	8-10-88		