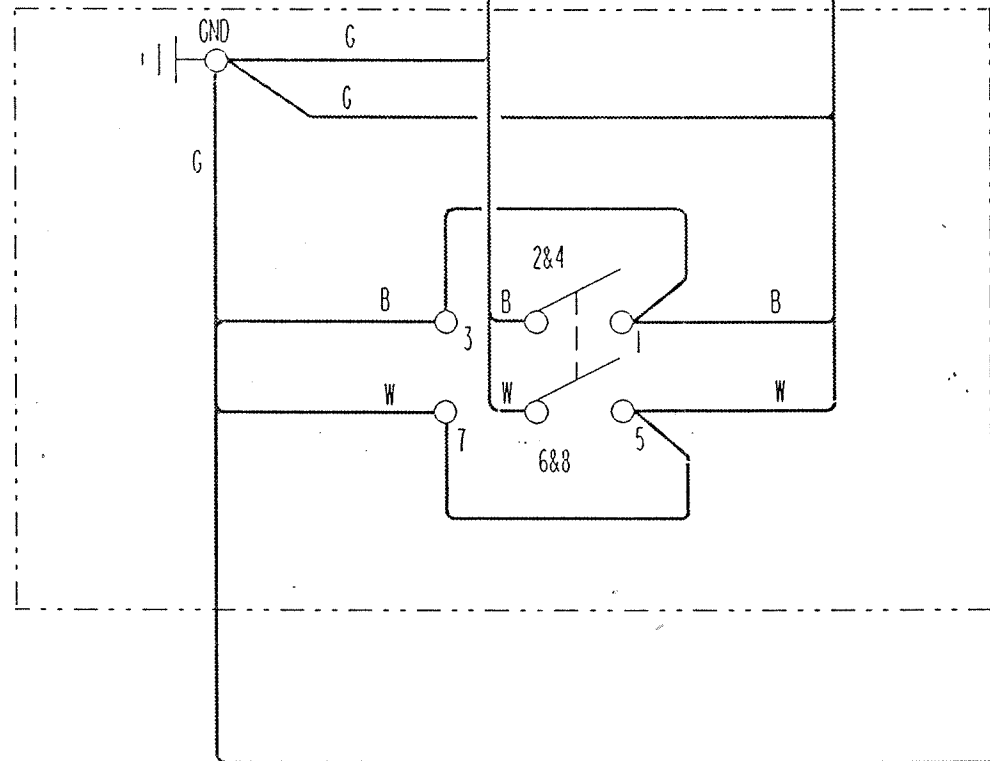
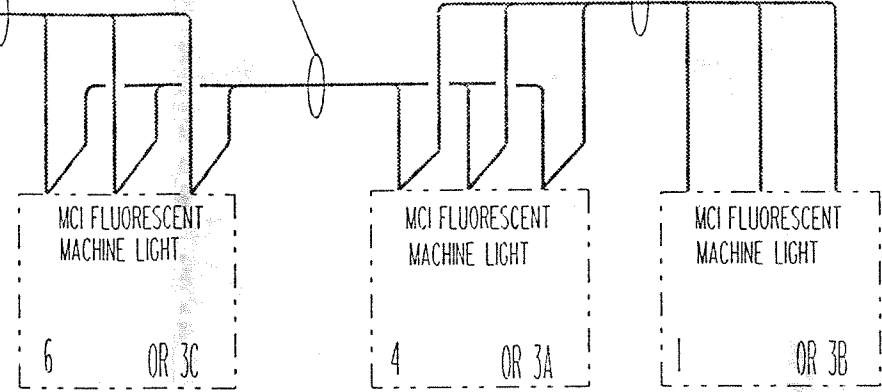


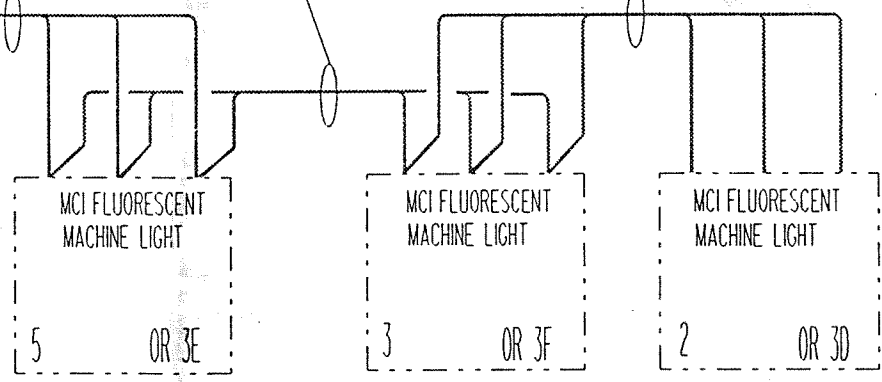
LIGHT SWITCH  
 J. H. #47797 (4 GLAND )  
 OR  
 J. H. #47633 ( 3 GLAND )



#14-3 COND.  
 0.548 +0.028" OD.  
 3/4" ID. HOSE



#14-3 COND.  
 0.548 +0.028" OD.  
 3/4" ID. HOSE



REV	DATE	BY	CHANGE
A	3-26-96	RCP	ADDED LIGHT LAYOUT

REVISIONS

Filename : ac1163.dgn

**J. H. FLETCHER & CO.**  
 HUNTINGTON W. VA.

THIS DRAWING IN DESIGN AND DETAIL IS OUR PROPERTY AND MUST NOT BE USED EXCEPT IN CONNECTION WITH OUR WORK. ALL RIGHTS OF DESIGN OR INVENTION ARE RESERVED.

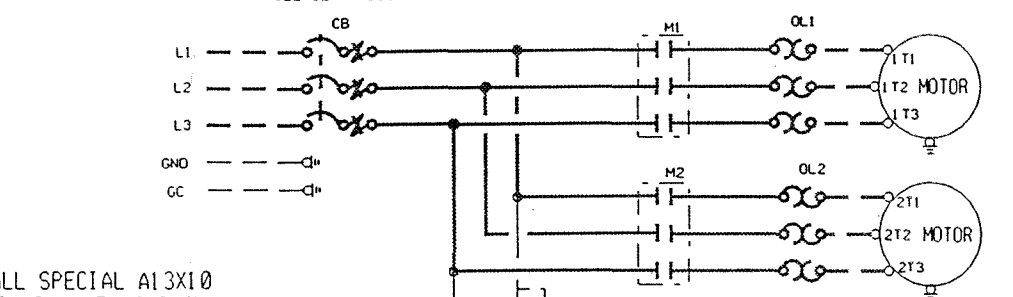
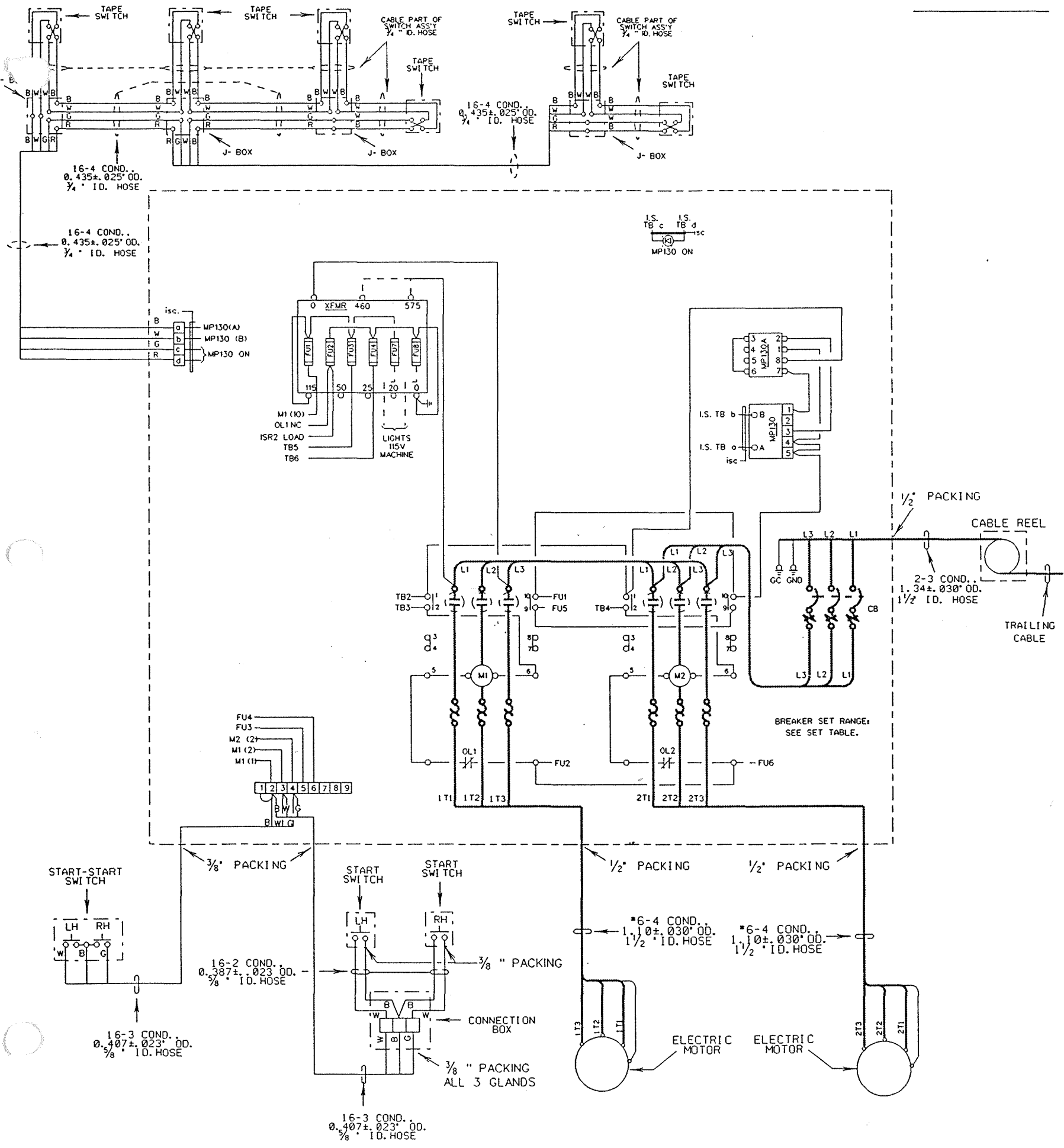
MCI FLUORESCENT LIGHTING SYSTEM, 6 FIXTURES, J.H. SW.

DATE 4-7-95 SCALE  
 DRAWN BY RCP DWG AC-1163

DO NOT CHANGE MANUALLY

WIRING DIAGRAM

SCHEMATIC DIAGRAM

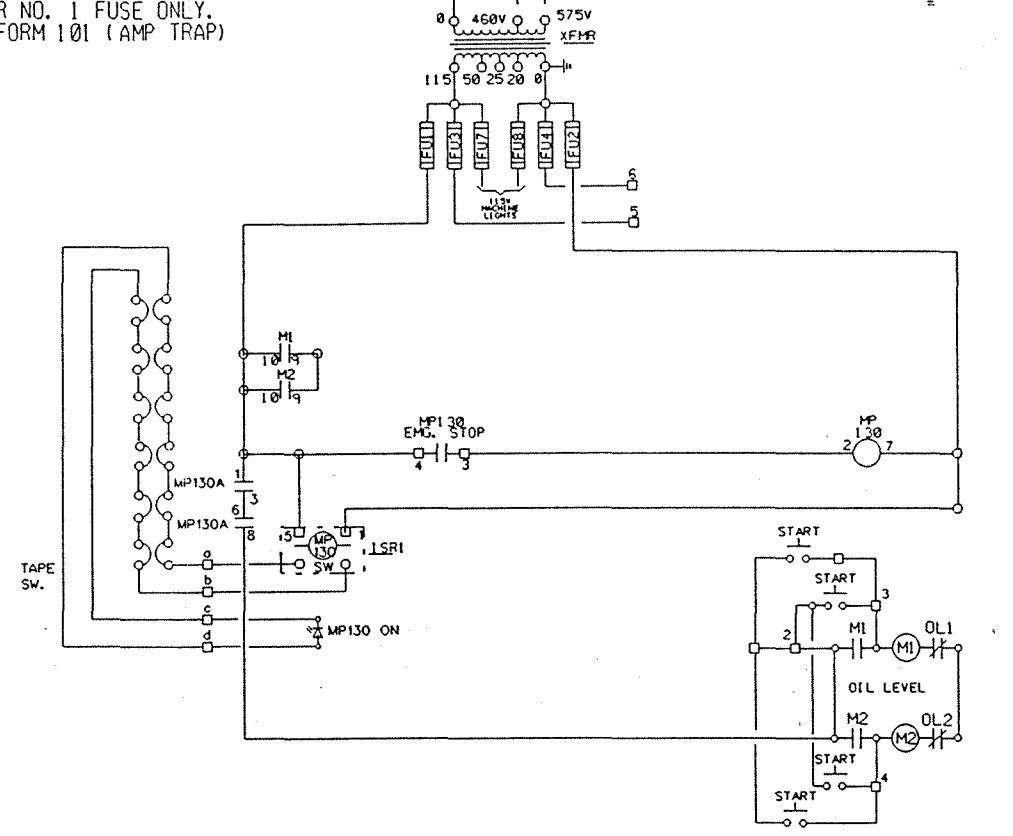


H.P.	SERVICE FACTOR	FL. A.	VOLTAGE	OL. SET	BRK. SET
40	1.8	33.5	440V.	46-50	695A.
40	1.8	42.8	550V.	37-42	556A.
40	1.15	53.5	440V.	51-55	695A.
40	1.15	42.8	550V.	41-46	556A.
50	1.8	65	440V.	56-61	845A.
50	1.8	52	550V.	41.6-46.3	676A.

NOTE: MACHINE CIRCUIT BREAKER SHOULD BE SET NO HIGHER THAN THE OUTBY CIRCUIT BREAKER.

NOTE: INSTALL SPECIAL A13X10 FUSE FOR NO. 1 FUSE ONLY. 10 AMP. FORM 101 (AMP TRAP)

- FU1 - 10A
- FU2 - 10A
- FU3 - 15A
- FU4 - 15A
- FU5 - 1A
- FU6 - 1A
- FU7 - 15A
- FU8 - 15A



ALL INTRINSICALLY SAFE WIRING TO BE ISOLATED FROM ALL OTHER WIRING.

ALL INTERNAL WIRING COMPATIBLE WITH IMPOSED VOLTAGES AND LOADS.

RELAY  
 TEMP. & OIL LEVEL - ISR CERTIFICATION NO. 1662-2.  
 OIL LEVEL - ISR CERTIFICATION NO. 1662-2.  
 EMG. STOP - ISR CERTIFICATION NO. 1A-372-0

MP130  
 NOTE - ISR CERTIFICATION NO. 1A-372-0  
 WARNING - ANY CHANGES IN THE INTRINS. SAFE CIRCUITRY OR COMPONENTS MAY RESULT IN AN UNSAFE CONDITION.  
 NOTE - WIRES RUN FROM TERMINALS A & B ON MP130 & SWITCH ON ISR2 & ISR3 ARE TO BE RUN SEPARATE FROM OTHER CONTROL FORM.

DATE	BY	CHANGE
REVISIONS		
J. H. FLETCHER & CO. HUNTINGTON W. VA.		
THIS DRAWING IN DESIGN AND DETAIL IS OUR PROPERTY AND MUST NOT BE USED EXCEPT IN CONNECTION WITH OUR WORK. ALL RIGHTS OF DESIGN OR INVENTION ARE RESERVED.		
DUAL DRILL, 40/50HP, 440/550V, AC		
DATE	DRAWN BY RCP	
03-26-96	AC-1216	

WD287-

DO NOT CHANGE MANUALLY FILENAME: oc1216.dgn