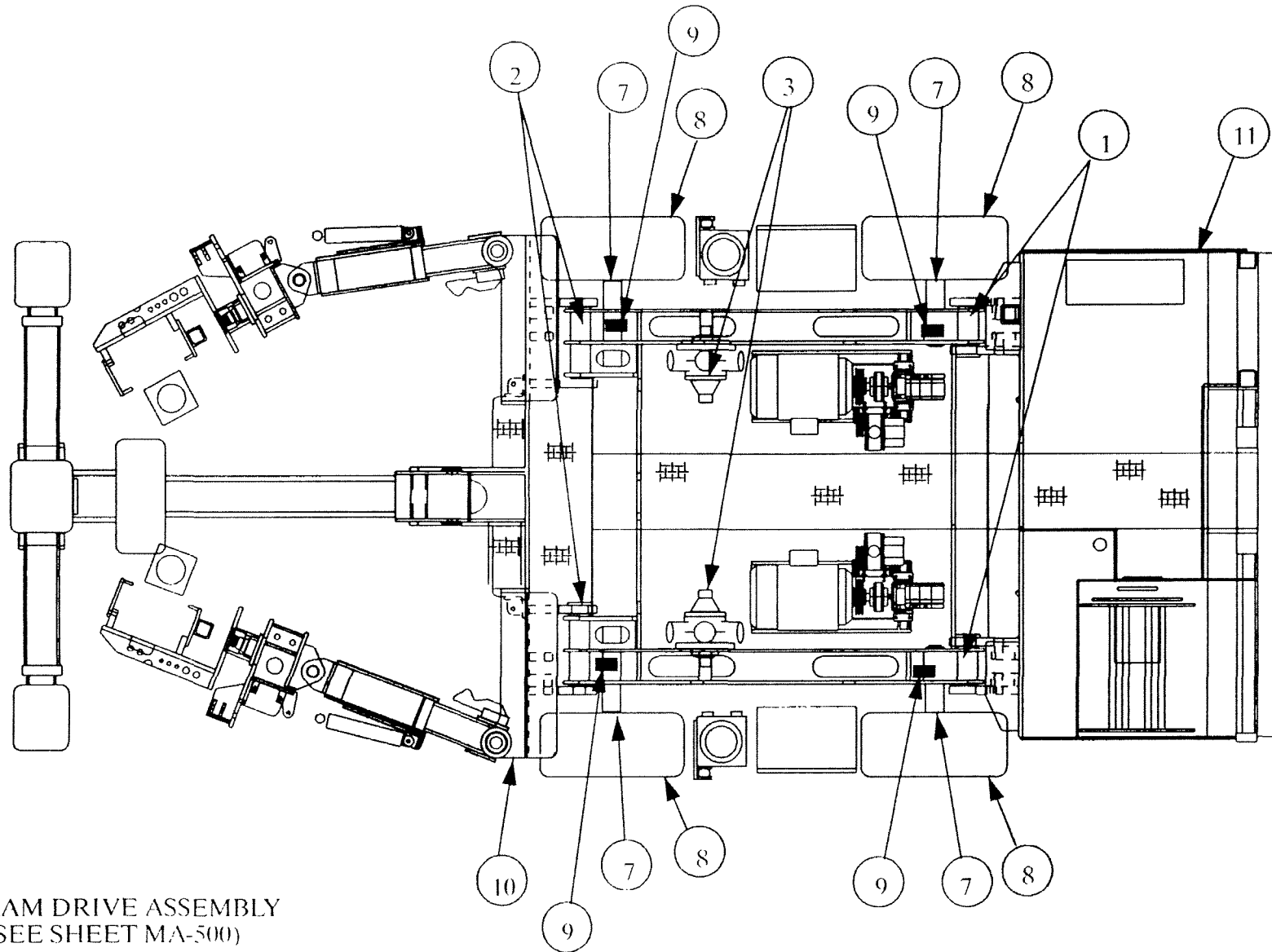


INDEX FOR TRAM SYSTEM

<u>ITEM</u>	<u>DESCRIPTION</u>	<u>PART NO.</u>	<u>SHEET NO.</u>	<u>NO. REQ'D</u>
1	REAR LIFT CYLINDER	56526	HC-486	2
2	FRONT LIFT CYLINDER	56918	HC-515	2
3	TRAM DRIVE MOTOR ASSEMBLY	41803	HM-58	2
4	TRAM DRIVE SPROCKET & CHAIN ASSEMBLY		MA-200	2
5	TRAM DRIVE COUNTERSHAFT ASSEMBLY		MA-312	4
6	TRAM MOTOR SPROCKET ASSEMBLY		MA-503	2
7	WHEEL HUB ASSEMBLY	143702	MA-541	4
8	WHEEL ASSEMBLY	53220	MA-549	4
9	DISC BRAKE CALIPER ASSEMBLY	53834	MC-166	4
10	FRONT LIFT ASSEMBLY	276620	MY-1180	1
11	REAR LIFT ASSEMBLY	282797	MY-1181	1



NOTE: TRAM DRIVE ASSEMBLY
(SEE SHEET MA-500)

SHEET NO.

TITLE

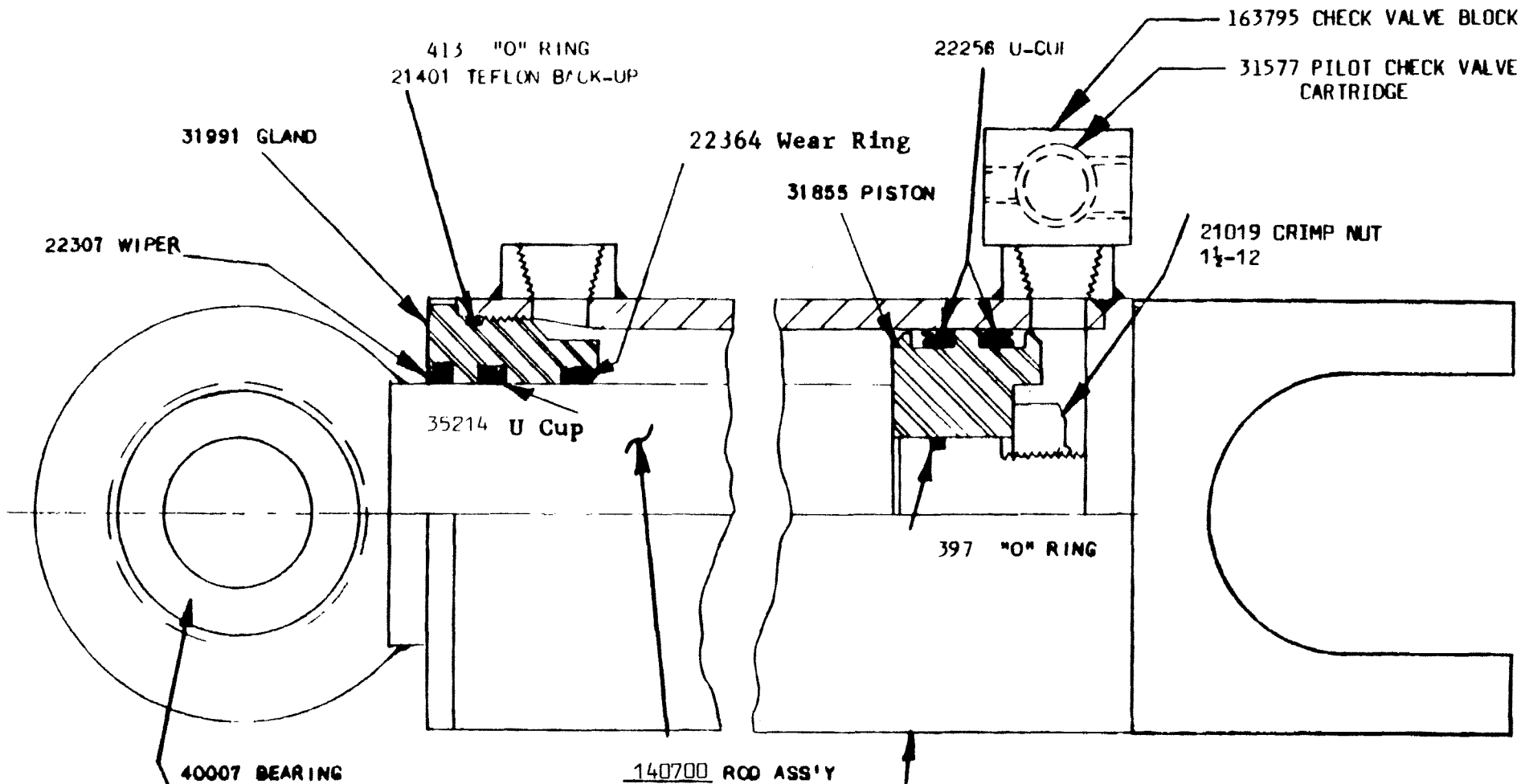
DATE

J.H. FLETCHER & CO.

LOCATIONS FOR TRAM SYSTEM

402 HIGH STREET

HUNTINGTON, W.VA.



413 "O" RING
21401 TEFLON BACK-UP

163795 CHECK VALVE BLOCK
31577 PILOT CHECK VALVE CARTRIDGE

31991 GLAND

22364 Wear Ring

22307 WIPER

31855 PISTON

21019 CRIMP NUT
1 1/2-12

35214 U Cup

397 "O" RING

40007 BEARING
2492 SNAP RING(2)
36465 PIN, 93881 KEEPER,
20024 3/8"-16 X 1" HEX HEAD
CAP SCREW, & 22010 LOCKWASHER

140700 ROD ASS'Y

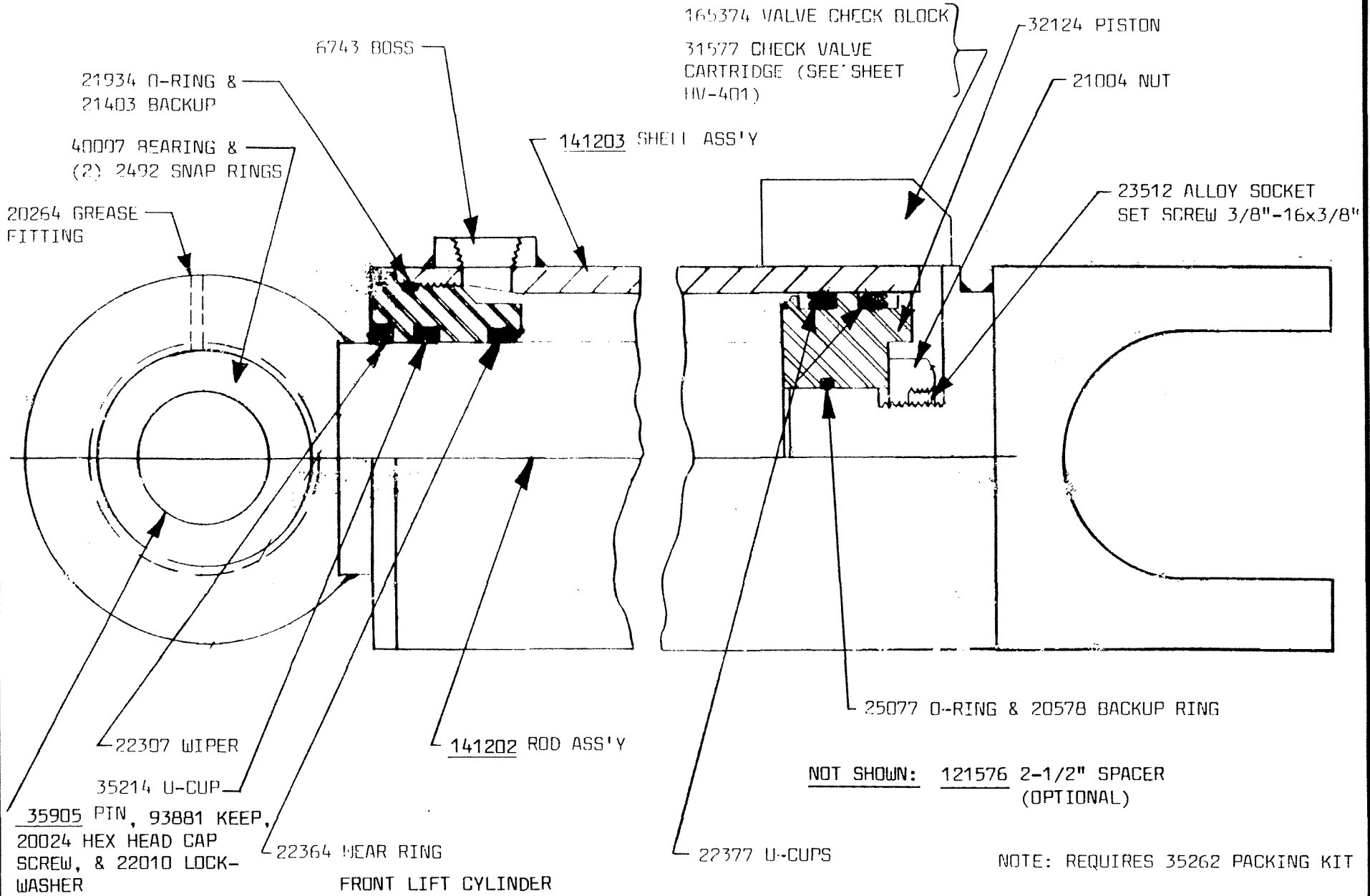
140699 OUTER SHELL

NOT SHOWN: 21913 SPACER

REAR LIFT CYLINDER

NOTE 22421 PACKING KIT

SHEET NO.	TITLE	DATE	J.H. FLETCHER & CO.
HC-486	56526 HYDRAULIC CYLINDER ASSEMBLY	4/11/87	



C & B BLUEPRINT 78019 FORM # 5039

SHEET NO. HC-515	TITLE <u>56918</u> HYDRAULIC CYLINDER ASSEMBLY	DATE 9-26-91	R	J. H. FLETCHER & CO. 707 WEST 7TH STREET HUNTINGTON, W VA
---------------------	---	-----------------	---	---

SHEET NO.

TITLE

DATE

J.H. FLETCHER & CO.

HM-58

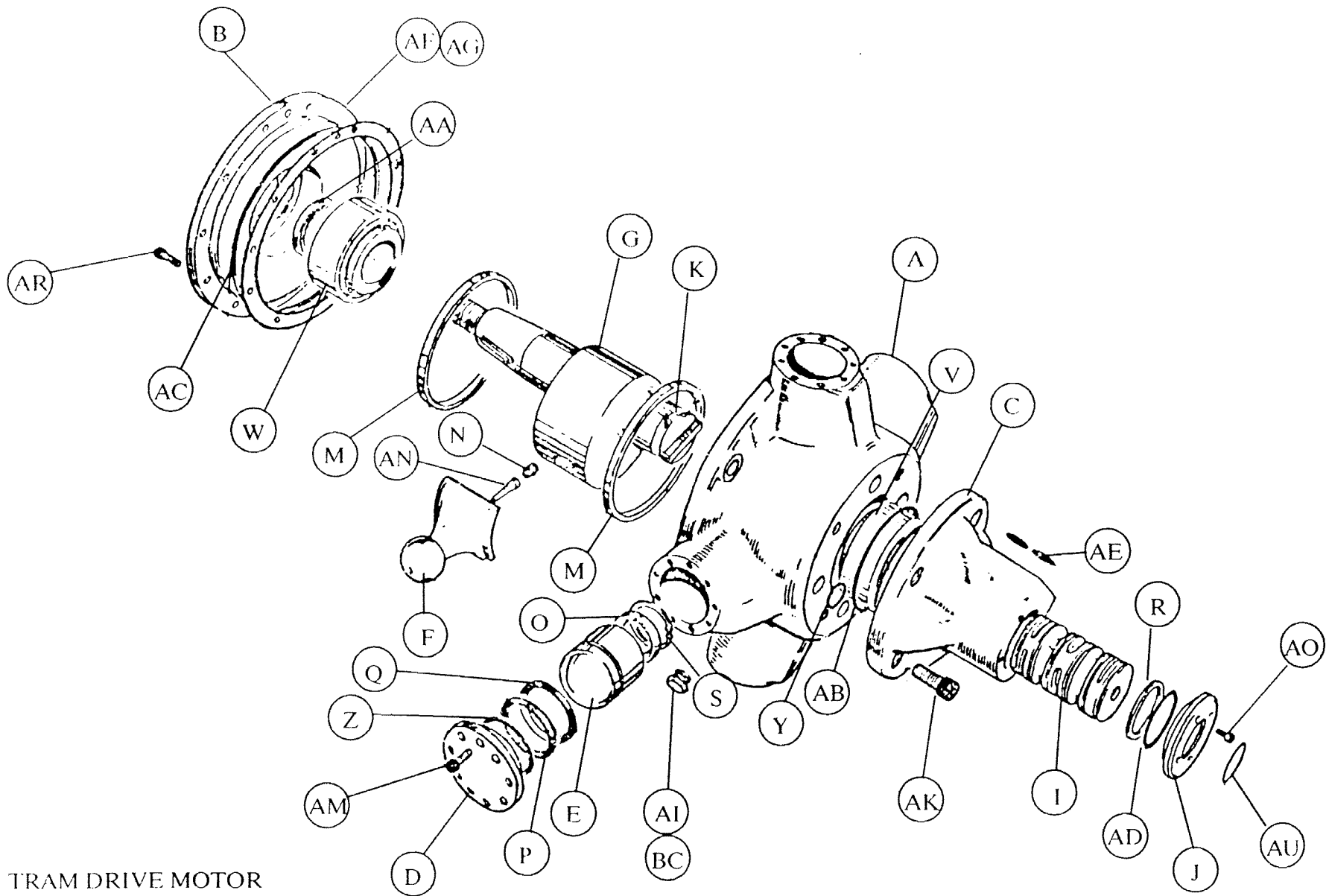
41803 STAFFA DRIVE MOTOR

9/9/92

402 HIGH STREET

HUNTINGTON, WVA.

ITEM	DESCRIPTION	PART NO.	NO. REQ'D	ITEM	DESCRIPTION	PART NO.	NO. REQ'D
A	MOTOR CASE	45115	1	AB	O-RING	21324	1
B	FRONT COVER	45116	1	AO	5/16" UNF X 1/2" S.H.C.S.	20194	4
W	FRONT BEARING	40249	1	AK	5/8" UNF X 1-3/4" S.H.C.S.	20196	5
V	REAR BEARING	48851	1	E	PISTON	45119	5
D	CYLINDER HEAD	45118	5	F	CONNECTING ROD	45120	5
P	PISTON SEAL	24433	5	AN	FILTER	46781	5
Q	BACK-UP PISTON SEAL	24280	5	N	RESTRICTOR SCREW	23147	5
M	CONNECTING ROD RETAINING RING	24026	2	O	PISTON RETAINING HALF RING	24027	10
AF	SHIM A-.002," B-.005." C-.010"	21537	AS REQ'D	S	CIRCLIP	24028	5
AG	SHIM .032" THICK	21735	AS REQ'D	G	CRANKSHAFT (SPLINED)	30592	1
AA	SHAFT SEAL	24282	1	AU	NAMEPLATE	N/A	1
AC	O-RING	21325	1				
Z	O-RING	21323	5				
AR	3/8" UNF X 1" S.H.C.S.	24828	10				
AM	3/8" UNF X 1" S.H.C.S.	20197	45				
AI	DRAIN PLUG	32730	2				
BC	BONDED SEAL	24434	2				
C	VALVE HOUSING	45117	1				
I	VALVE SPOOL	45121	1				
J	VALVE END CUP	45122	1				
R	VALVE SEAL RING	24281	12				
K	OLDHAM COUPLING	23146	1				
AD	O-RING	21326	1				
Y	O-RING	21322	5				
AE	O-RING (FOR MOTION CONTROL VALVE)	34101	2				
					NOT SHOWN: 24930 MOUNTING BOLTS FOR MOTION CONTROL VALVE (12 REQ'D)		
					NOT SHOWN: 20160 3/4"-10 X 3" H.S.H.C.S., 20764 3/4"-10 NYLON HEX NUT, 22022 3/4" LOCKWASHER (10 REQ'D EA.)		
					NOTE: TORQUE MOTOR MOUNTING BOLTS TO 200 FT. LBS.		



TRAM DRIVE MOTOR

SHEET NO.

HM-58

TITLE

41803 HYDRAULIC MOTOR ASSEMBLY

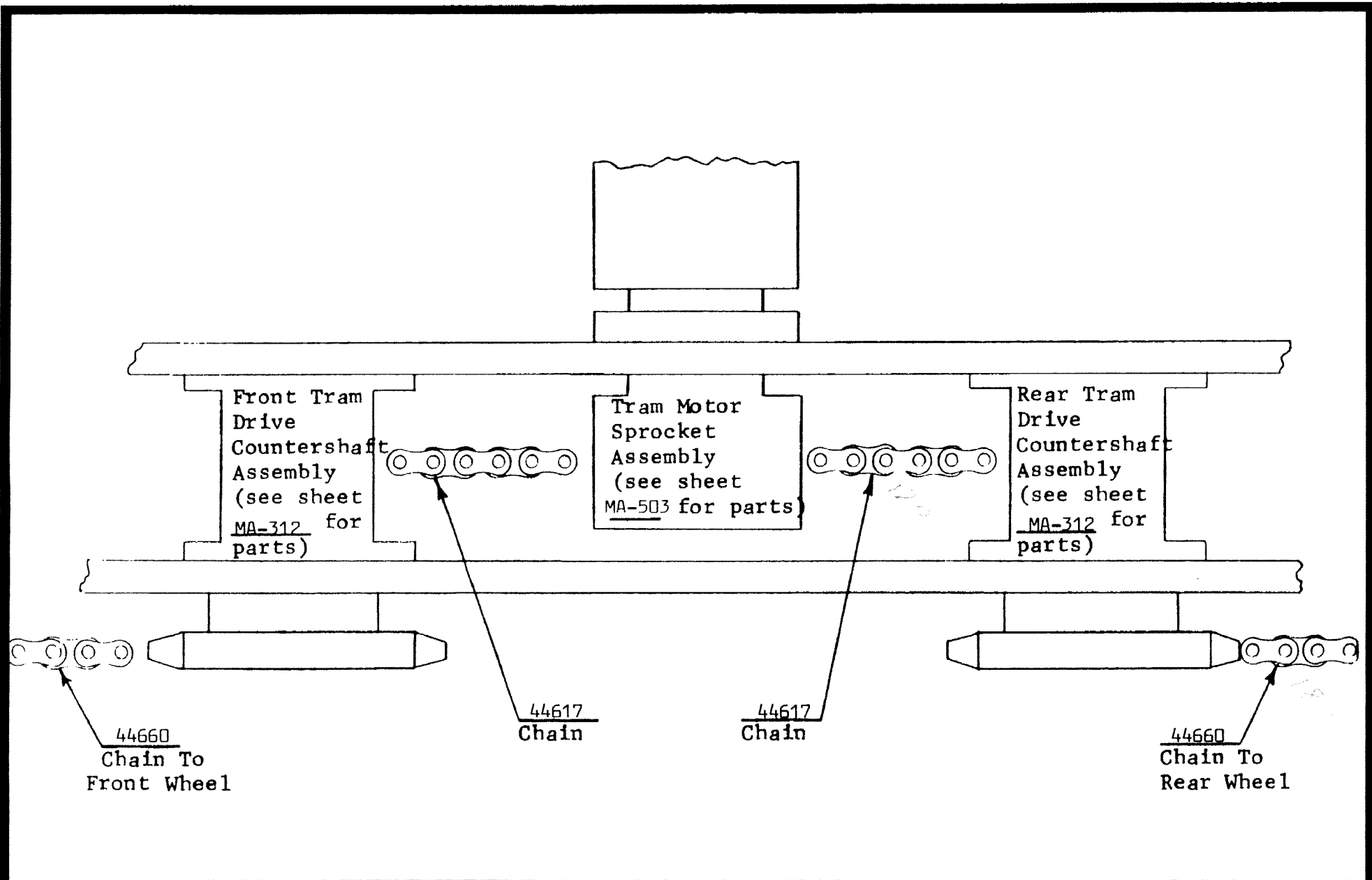
DATE

9/9/92

J.H. FLETCHER & CO.

402 HIGH STREET

HUNTINGTON, W.VA.



SHEET NO.	TITLE	DATE	J.H. FLETCHER & CO.
MA-200	TRAM DRIVE SPROCKET & CHAIN ASS'Y	11-21-73	402 HIGH STREET HUNTINGTON, W.VA.

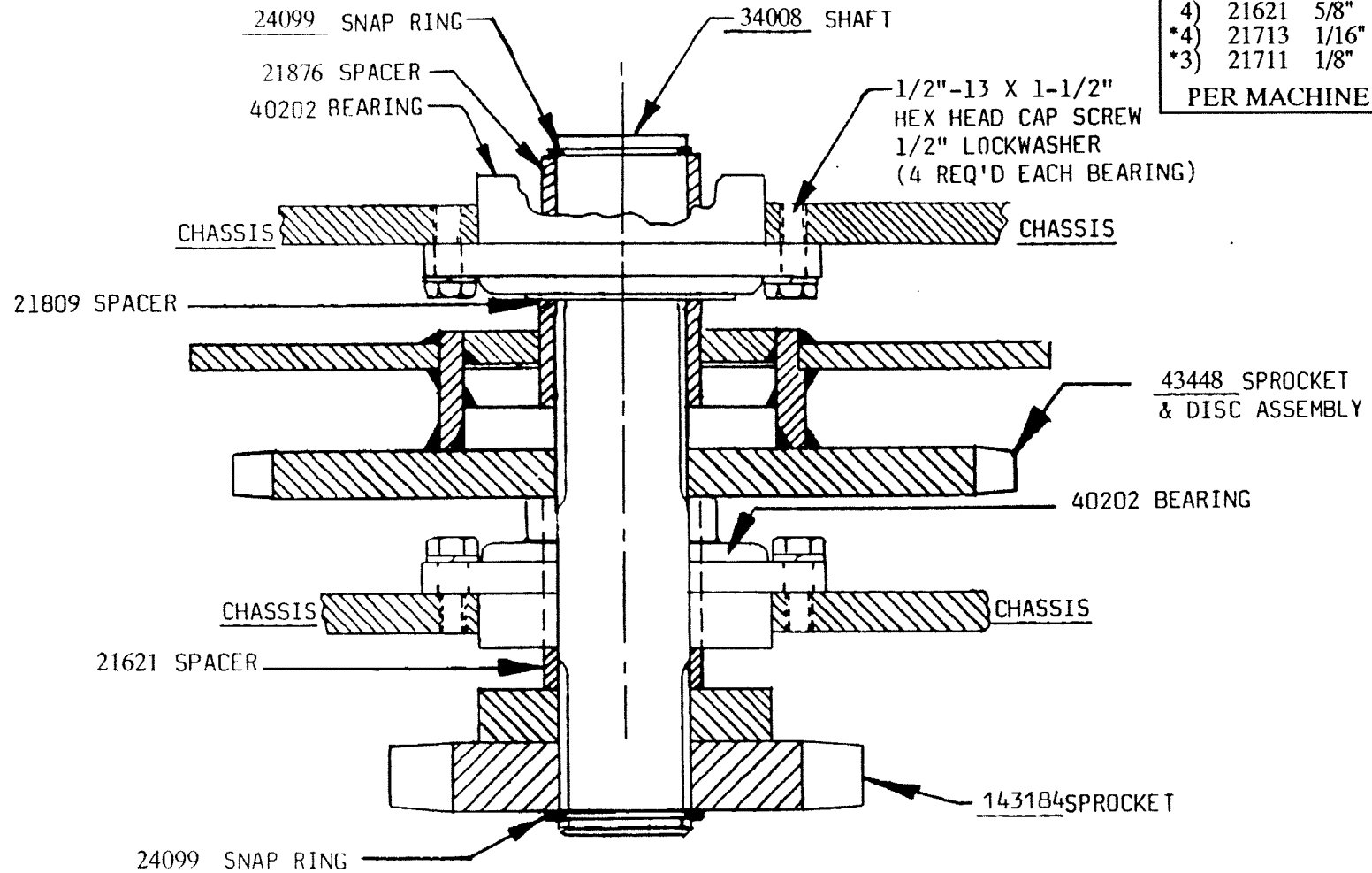
NOTE: * INDICATES SPARES

BRAKE DISC ON FRONT & REAR
OF MACHINE ONLY

121685 SPACER KIT
MADE OF:

- 4) 21876 1-1/4"
- 4) 21809 1-1/8"
- 4) 21621 5/8"
- *4) 21713 1/16"
- *3) 21711 1/8"

PER MACHINE



SHEET NO.

MA-312

TITLE

TRAM DRIVE COUNTERSHAFT ASSEMBLY

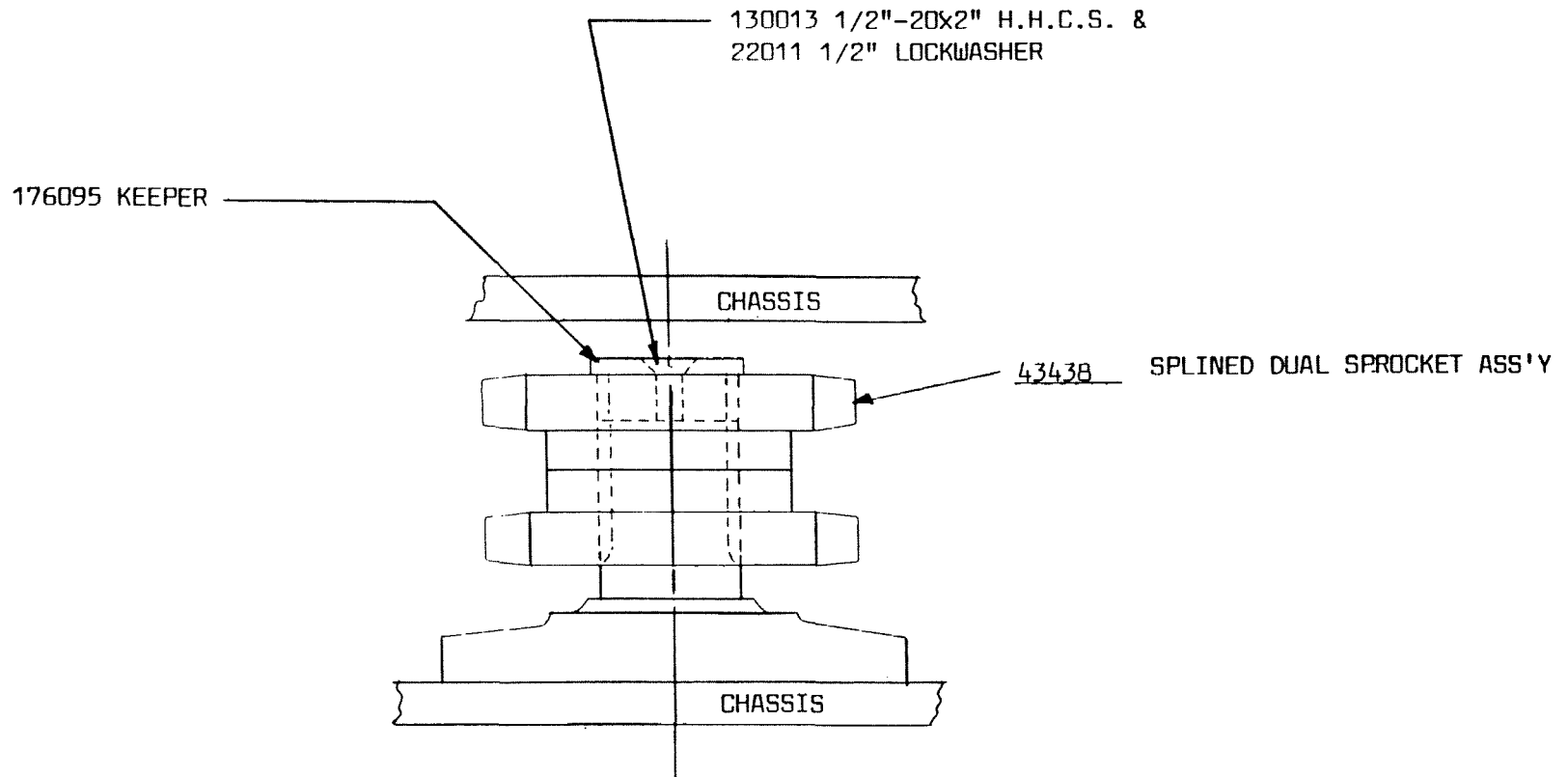
DATE

3-25-81

J.H. FLETCHER & CO.

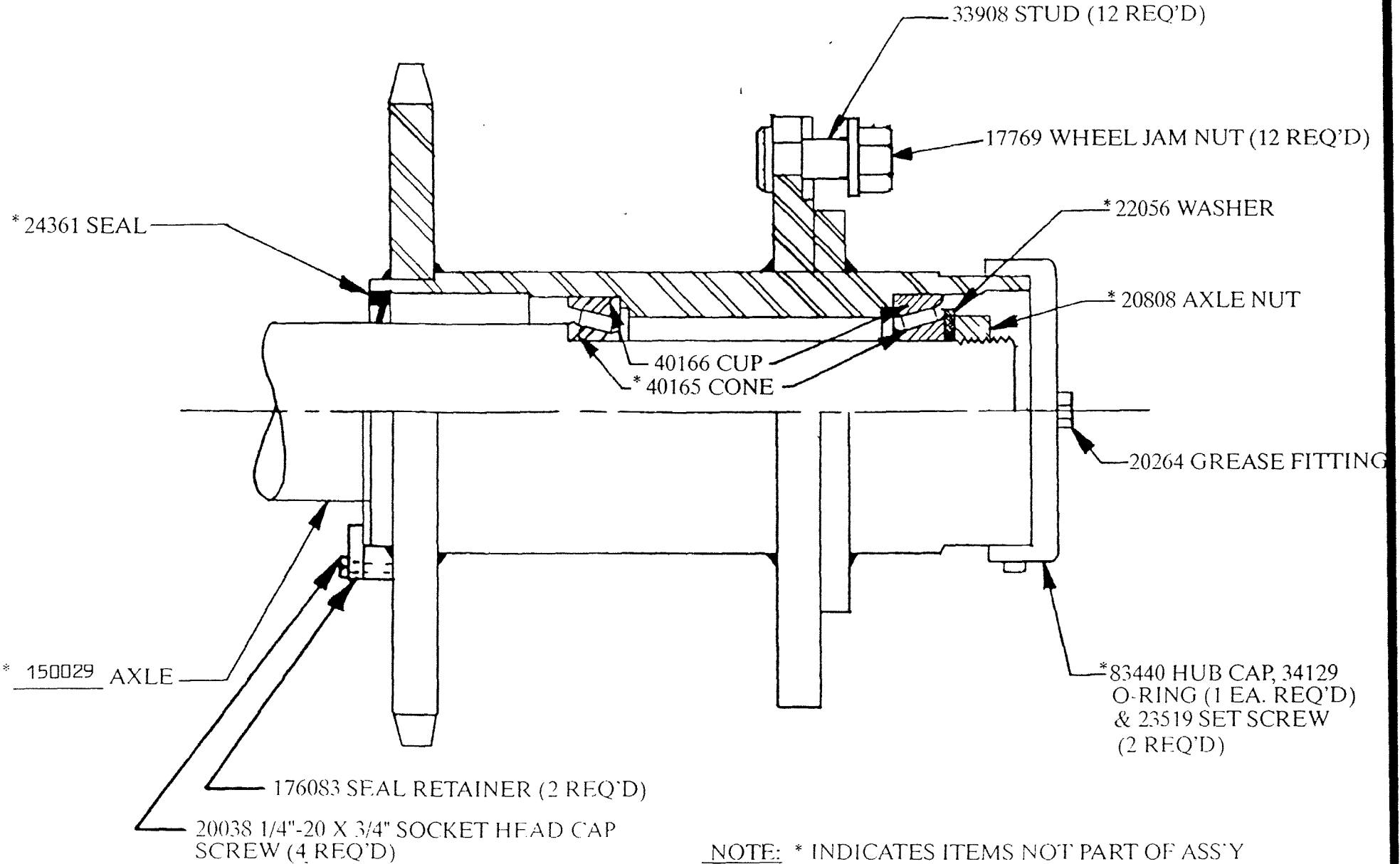
402 HIGH STREET

HUNTINGTON, W.VA.



C & B Blueprint 78319 Form 9300

<p>SHEET NO. MA-503</p>	<p>TITLE TRAM MOTOR SPROCKET ASSEMBLY</p>	<p>DATE 8/9/94</p>	<p>R</p>	<p>J. N. FLETCHER & CO. 402 HIGH STREET HUNTINGTON, W VA</p>
------------------------------------	--	-------------------------------	-----------------	---



SHEET NO.

TITLE

DATE

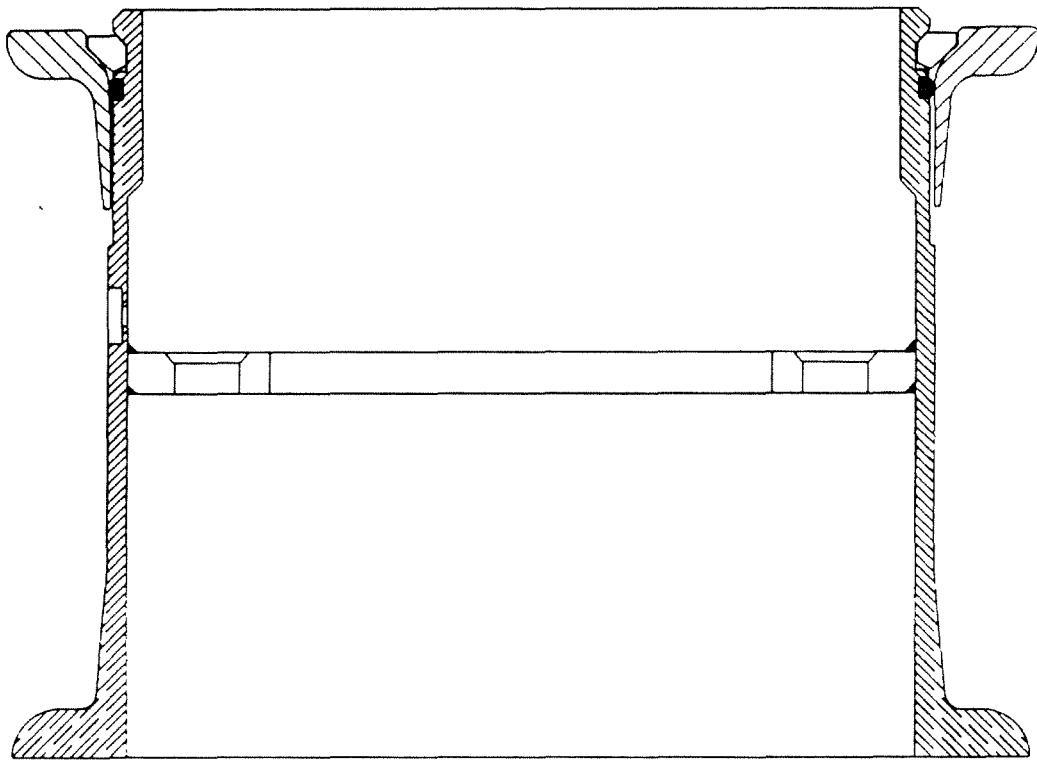
J.H. FLETCHER & CO.

MA-541

143702 WHEEL HUB ASSEMBLY

402 HIGH STREET

HUNTINGTON, W.VA.



36"-14.5 X 15 - 24 PLY TIRE

(SUPPLIED BY MCCREARY)

SHEET NO.

M.A-549

TITLE

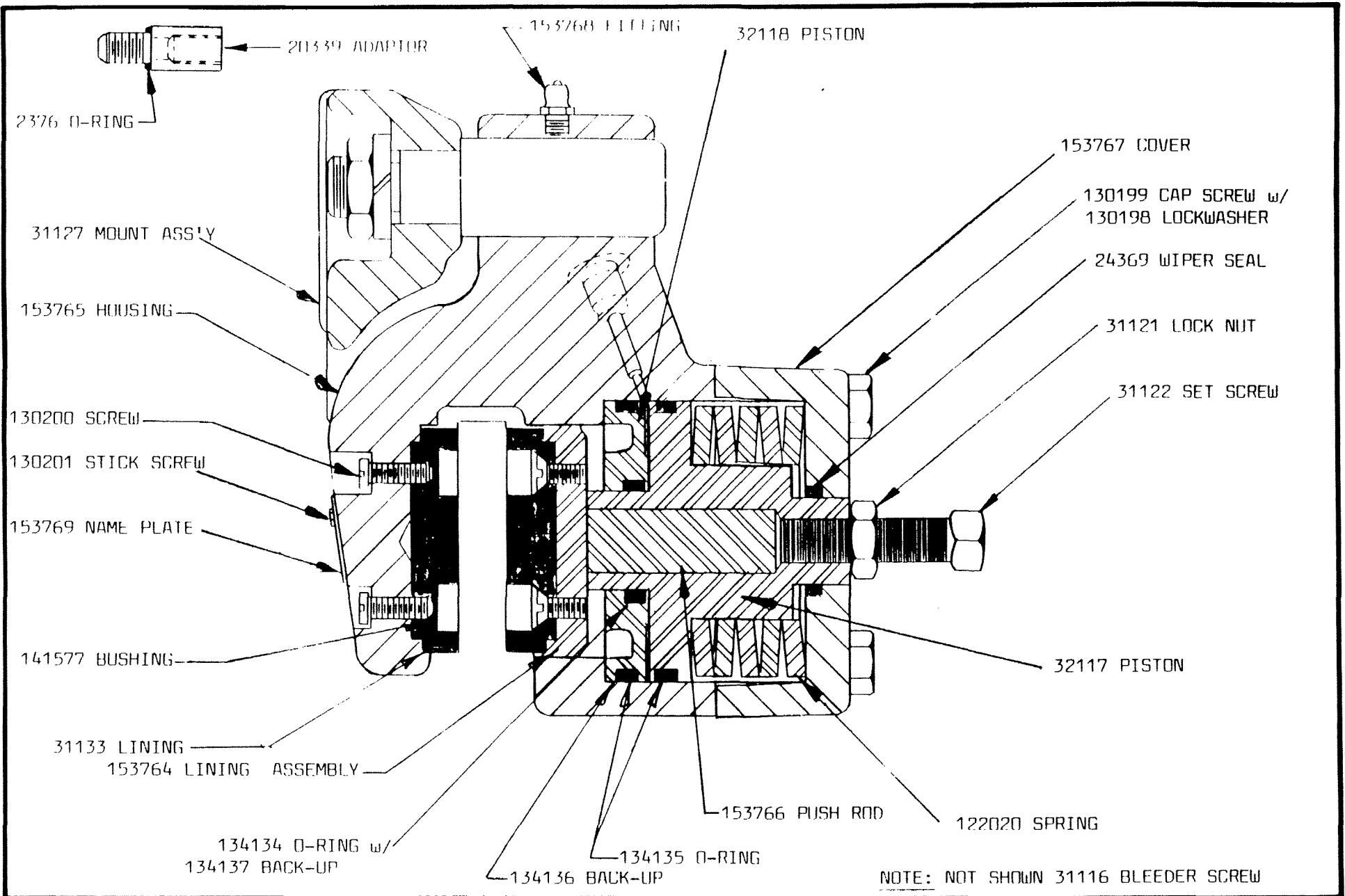
WHEEL ASSEMBLY

DATE

3-4-96

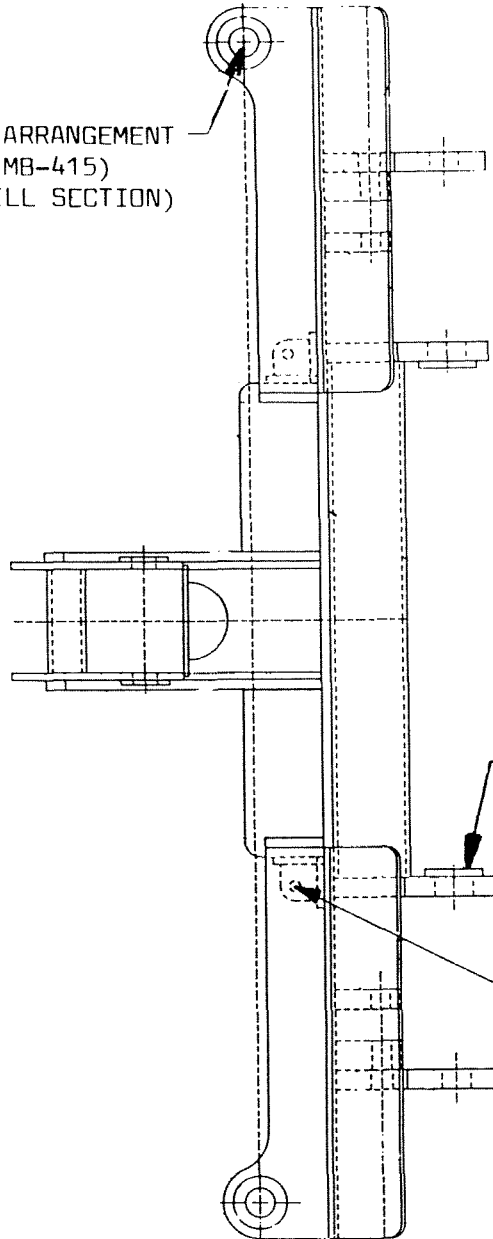
J.H. FLETCHER & CO.

402 HIGH STREET
HUNTINGTON, N.J. U.S.A.



SHEET NO.	TITLE	DATE	R	J. H. FLETCHER & CO. 707 WEST 7TH STREET HUNTINGTON, W. VA
MC-166	53834 DISC BRAKE CALIPER ASSEMBLY	1-31-89		

BOOM PIVOT ARRANGEMENT
(SEE SHEET MB-415)
(IN THE DRILL SECTION)

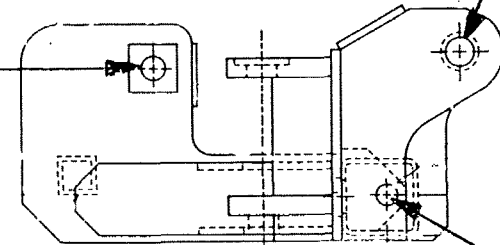


*36344 TRS MOUNTING PIN,
& 33590 3/8" X 3" COTTER
PIN

204984 BUSHING
(2 REQ'D)

*35493 BOOM SWING CYLINDER PIN
& *33552 1/4" X 1-1/2" COTTER
PIN

*46360 FRONT LIFT PIVOT SHAFT,
*20808 HEX NUT, & *30436 3/8" X
3-1/4" COTTER PIN



*35905 FRONT LIFT CYLINDER
(ROD END) PIN, *93881 KEEPER,
*93882 KEEPER MOUNT, *20024
3/8"-16 X 1" HEX HEAD CAP SCREW,
& *22010 3/8" LOCKWASHER

NOTE: * INDICATES ITEMS NOT PART OF ASSEMBLY

SHEET NO.

MY-1180

TITLE

276620 FRONT LIFT ASSEMBLY

DATE

3-21-95

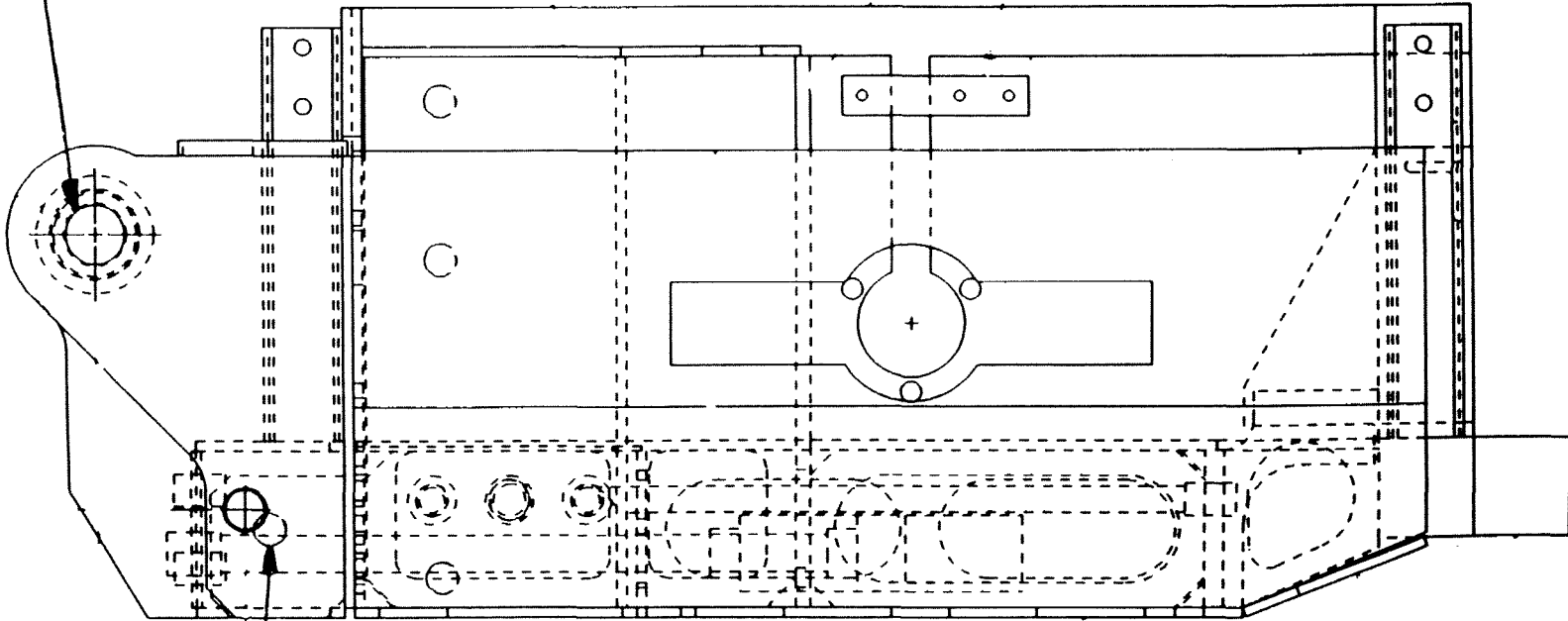
R

J. H. FLETCHER & CO.

402 HIGH STREET

HUNTINGTON W VA

*46380 REAR LIFT PIVOT PIN,
 *20808 HEX NUT, & *30436
 3/8" X 3-1/4" COTTER PIN



*36465 REAR LIFT CYLINDER (ROD
 END) PIN, *93881 KEEPER, *93882
 KEEPER MOUNT, *20024 3/8"-16 X
 1" HEX HEAD CAP SCREW, & *22010
 LOCKWASHER

NOTE: * INDICATES ITEMS NOT PART OF ASSEMBLY

SHEET NO.

MY-1181

TITLE

282797 REAR LIFT ASSEMBLY

DATE

3-21-95

R

J. H. FLETCHER & CO.

402 HIGH STREET

HUNTINGTON, W. VA

J. H. FLETCHER & CO. / 282797 / 3-21-95