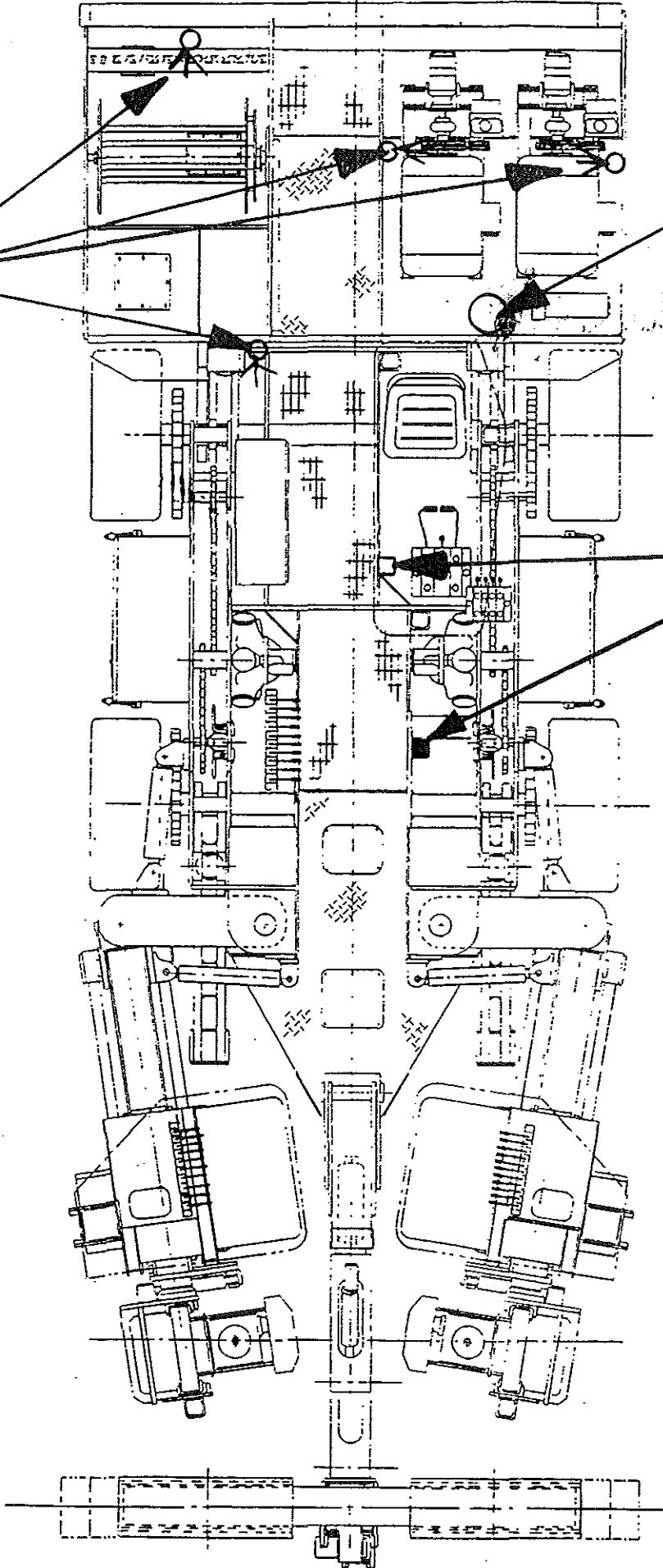


Misc

23395 NOZZLES

ANSUL NO. 20 LB.
TANK

53488 ACTUATOR ASSEMBLY



SHEET NO.

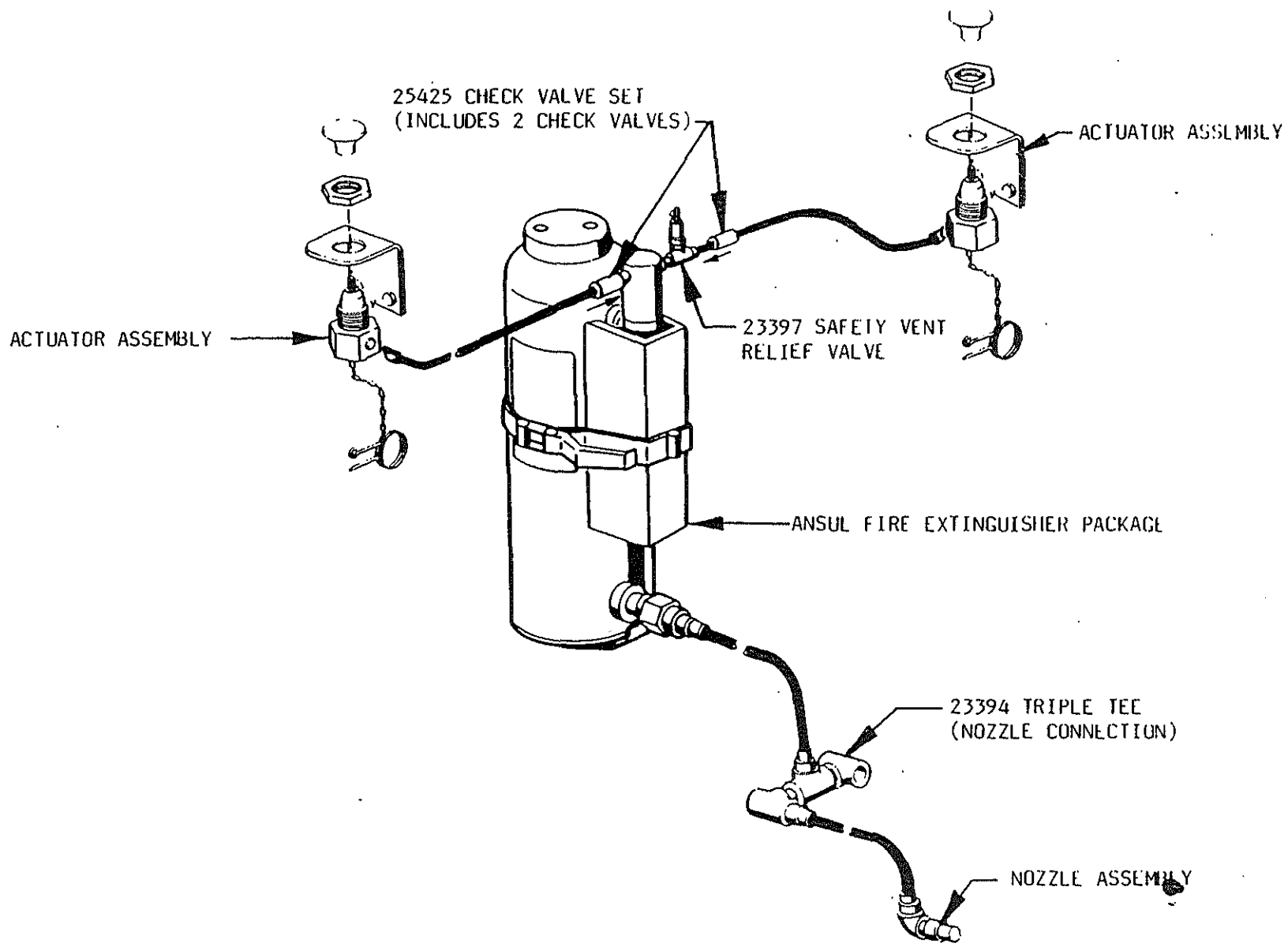
TITLE

LOCATIONS FOR FIRE CONTROL SYSTEM

DATE

R

J. H. FLETCHER & CO.
707 WEST 7TH STREET
HUNTINGTON, W. VA.



SHEET NO.

TITLE

ANSUL FIRE SYSTEM ARRANGEMENT

DATE

R

J. H. FLETCHER & CO.

707 WEST 7TH STREET

HUNTINGTON, W. VA

WARNING

READ BEFORE STARTING MACHINE

The safe operation of this machine requires special knowledge, training and experience - do not attempt to operate unless you have read the Operator's Manual and have received the task training required by MSHA (30 CFR 48.7).

- Review the SAFETY REMINDERS before starting operation.
- Perform the START OF SHIFT SAFETY CHECKLIST before placing machine in operation.
- Report any unsafe or hazardous condition to your supervisor immediately - BEFORE CONTINUING OPERATION.
- Changes in machine adjustments are to be made only by properly trained and authorized personnel.
- Do not modify machine or utilize repaired or replacement parts that do not meet J. H. Fletcher & Co. specifications.
- Always remove and lock out power at distribution box before performing inspection, maintenance or repair.
- Before leaving the section, perform the END OF SHIFT SHUTDOWN CHECKLIST.

Failure to observe the warnings above or careless operation can result in serious injury or death to yourself or others.

THE SAFE OPERATION OF THIS MACHINE IS YOUR RESPONSIBILITY

This and all other safety notices must be maintained on the machine at all times - **DO NOT REMOVE THIS NOTICE** - replace as required.

Part No. 159539



J. H. FLETCHER & CO.
707 WEST 7TH STREET
HUNTINGTON, W. VA.

R

DATE

TITLE

159539 WARNING STICKER

SHEET NO.

115-1

WARNING

**PINCH POINTS CAN CAUSE
INJURY.**

**DO NOT OPERATE WITHOUT
GUARD IN PLACE.**

DO NOT REMOVE LABEL

© J. H. Fletcher & Co., 1987

Part No. 159546

SHEET NO.	TITLE	DATE	R	J. H. FLETCHER & CO. 707 WEST 7TH STREET HUNTINGTON W. VA.
WS-2	159546 WARNING STICKER			

DANGER

**NEVER STAND OR
TRAVEL BEYOND
SUPPORTED ROOF**

DO NOT REMOVE LABEL

© J. H. Fletcher & Co., 1987

Part No.: 159549



SHEET NO.
WS-3

TITLE
159549 WARNING STICKER

DATE

R

J. H. FLETCHER & CO.
707 WEST 7TH STREET HUNTINGTON, W. VA

DANGER



NEVER TOUCH OR HOLD ONTO A ROTATING DRILL STEEL WRENCH OR BOLTS.
ALWAYS USE "HANDS OFF" DRILLING METHODS. ACCIDENTS INVOLVING
DRILLHEAD ROTATION CAN CAUSE SERIOUS INJURY OR DEATH



DO NOT REMOVE LABEL Part No 159543

SHEET NO.

115-4

TITLE

159543 WARNING STICKER

DATE

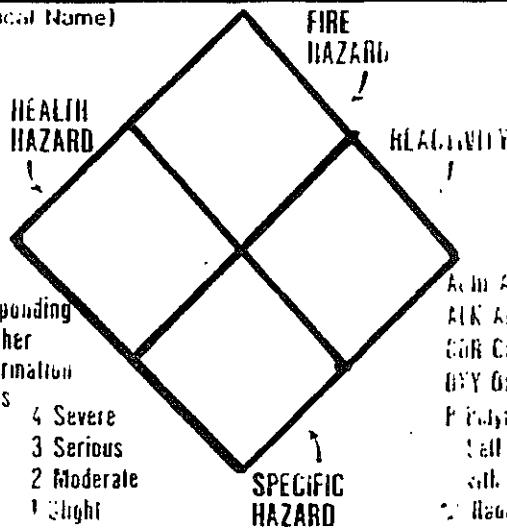
R

J. H. FLETCHER & CO.

707 WEST 7TH STREET

HUNTINGTON, W. VA

(Fill in Chemical Name)



Consult Corresponding
MSDS for Further
Hazardous Information
and Instructions

- 4 Severe
- 3 Serious
- 2 Moderate
- 1 Slight
- 0 Minimal

- A in Soln
- ALK Alkal
- CA Corrosive
- OXY Oxidizer
- P Polymerization
- Self reacting with water
- 1 Radioactive
- 2 Use No Water

Personal Protection

(✓ Mark Appropriate Protection Required)

<input type="checkbox"/> Safety Glasses	<input type="checkbox"/> Apron	<input type="checkbox"/> Respirator
<input type="checkbox"/> Face Shield	<input type="checkbox"/> Boots	<input type="checkbox"/> Self Contained Air Respirator
<input type="checkbox"/> Gloves	<input type="checkbox"/> Splash Goggles	<input type="checkbox"/> Full Protection Suit
<input type="checkbox"/> OTHER	<input type="checkbox"/> OTHER	<input type="checkbox"/> OTHER

SHEET NO.

WS-5

TITLE

159578 WARNING STICKER

DATE

R

J. H. FLETCHER & CO.

707 WEST 7TH STREET

HUNTINGTON, W. VA

WARNING



NEVER OPERATE ANY CONTROL IN THE TRAM DECK.
UNLESS SEATED INSIDE THE TRAM DECK WITH YOUR
ENTIRE BODY INSIDE.



DO NOT REMOVE LABEL Part No. 159542

SHEET NO.

WS--6

TITLE

159542 WARNING STICKER

DATE

R

J. H. FLETCHER & CO.

707 WEST 7TH STREET

HUNTINGTON, W VA

WARNING

**Before Performing Maintenance, Repair
Or Inspection In This Area Fully Lower or
Securely Block All Moving Parts and
Disconnect And Lock Out Power.**

**Serious Injury Can Occur From
Failure To Observe This Warning.**

DO NOT REMOVE LABEL

© J. H. Fletcher & Co., 1967

Part No. 159538

SHEET NO.

WS-10

TITLE

159538 WARNING STICKER

DATE

R

J. H. FLETCHER & CO.

707 WEST 7TH STREET

HUNTINGTON, W VA

DANGER

**! PINCH !
POINT !
AREA**

**KEEP
CLEAR**

DO NOT REMOVE LABEL

© J. H. Fletcher & Co., 1987
Part No. 159545

SHEET NO.
WS-11

TITLE
159545 WARNING STICKER

DATE

R

J. H. FLETCHER & CO.
707 WEST 7TH STREET HUNTINGTON, W VA



SHEET NO. WS-12	TITLE 159544 WARNING STICKER	DATE	R	J. H. FLETCHER & CO. 707 WEST 7TH STREET HUNTINGTON W. VA.
--------------------	---------------------------------	------	---	--

**SERVICE
MACHINE**

INNOVATION IN PRODUCT DESIGN

SERVICE MACHINE CO.
6572 OHIO RIVER RD. HUNTINGTON, WV 25702
P.O. BOX 8177 HUNTINGTON, WV 25706
PHONE 304/736-8833 TWX 710 831 1828

NOTICE TO COAL MINE OPERATORS AND MAINTENANCE PERSONNEL

This ELECTRICAL EQUIPMENT is APPROVED or CERTIFIED by MSHA in accordance with 30 CFR 18, and is also subject to the provisions of 30 CFR 75 where applicable.

Installation and Maintenance to be carried out by authorized personnel.

Equipment to be frequently examined, tested and properly maintained in safe and permissible condition.

Maintain the equipment in conformity with SERVICE MACHINE CO's. MSHA APPROVED drawings. Always use replacement parts identical to those supplied by SERVICE MACHINE CO. (Refer to full "CAUTION STATEMENT" for details.)

PART NO. 159524

SHEET NO.

TITLE

DATE

R

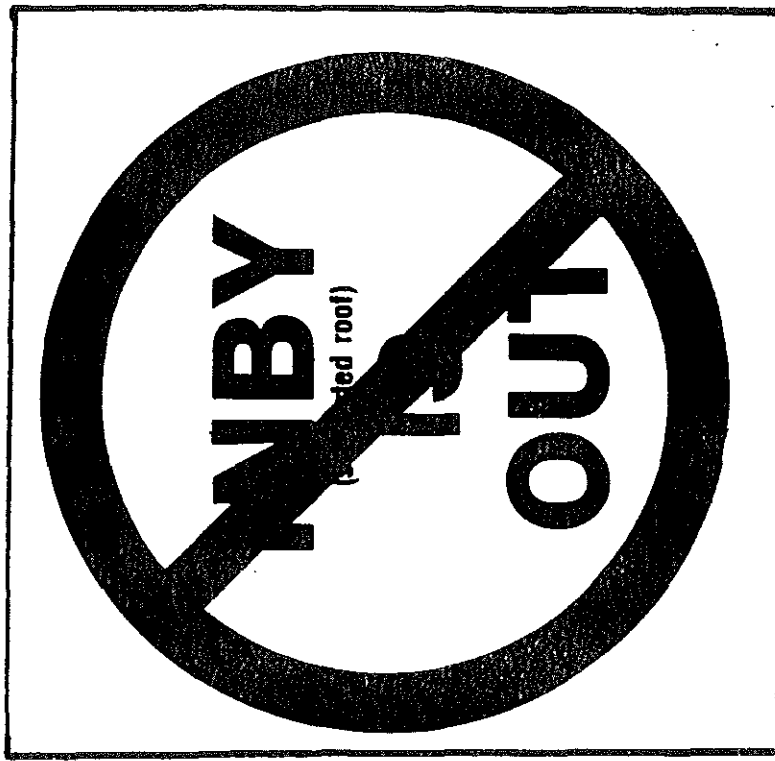
J. H. FLETCHER & CO.

707 WEST 7TH STREET

HUNTINGTON W VA

WS-13

159524 WARNING STICKER



SHEET NO.
WS-18

TITLE
159610 WARNING STICKER

DATE

R

J. H. FLETCHER & CO.
707 WEST 7TH STREET
HURTINGTON W VA

SHEET NO.

TITLE

DATE

R

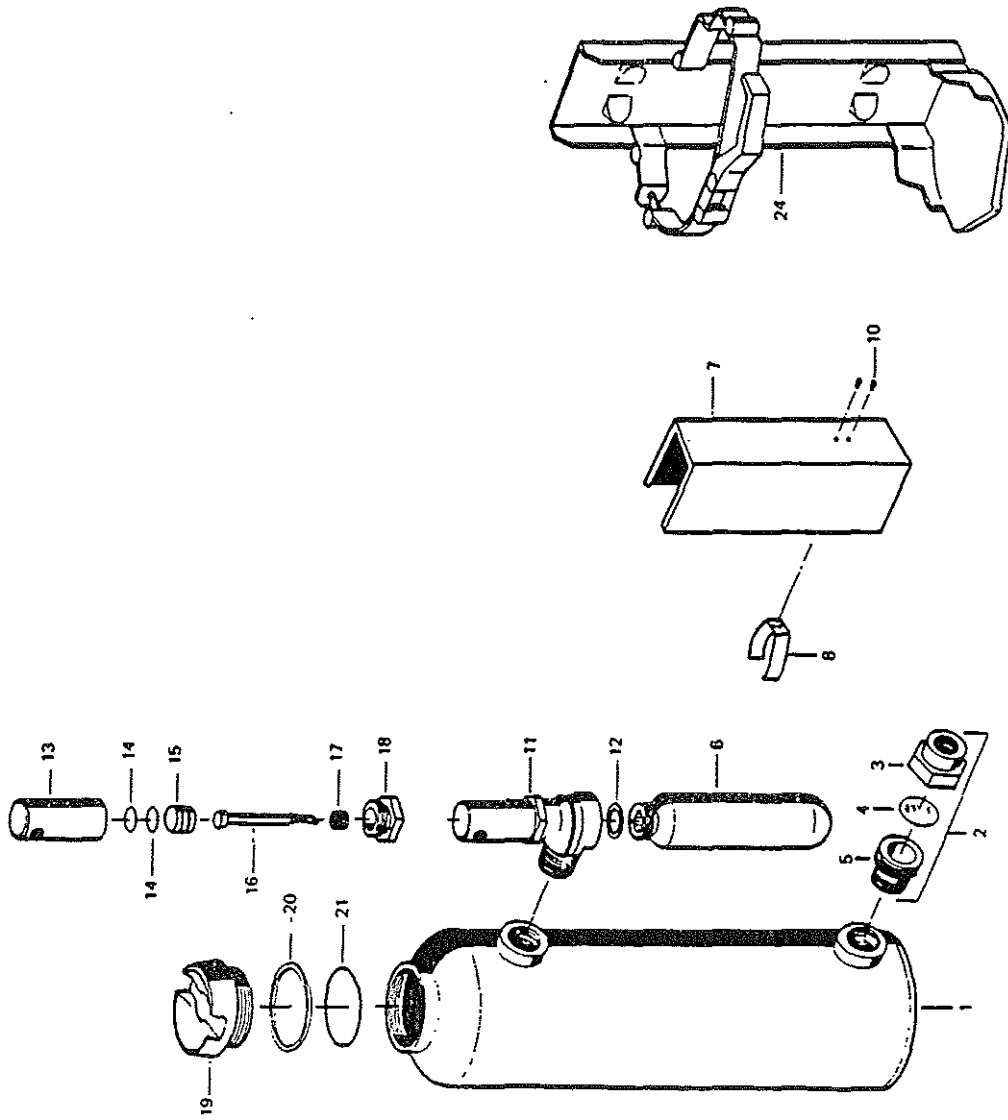
J. H. FLETCHER & CO.

707 WEST 7TH STREET

HUNTINGTON, W. VA

25267 ANSUL 10LB. FIRE EXTINGUISHER PACKAGI.

<u>ITEM</u>	<u>DESCRIPTION</u>	<u>PART NO.</u>
1	SHELL ASSEMBLY	25314
2	BURSTING DISC UNION ASSEMBLY	25265
3	UNION RING & TAIL PIVOT	25316
4	BURSTING DISC	25264
5	ADAPTOR	25317
6	CARTRIDGE ASSEMBLY	25398
7	CARTRIDGE GUARD ASSEMBLY	25262
8	CLIP	25263
10	RIVET	NONE
11	PNEUMATIC CARTRIDGE RECEIVER ACTUATOR	25319
12	GASKET	25260
13	ACTUATOR BODY	25320
14	"O" RING (2 REQ'D)	25321
15	PNEUMATIC SLAVE PISTON	25322
16	PUNCTURE PIN ASSEMBLY	25323
17	SPRING	25324
18	ADAPTOR	25325
19	FILL CAP ASSEMBLY	25326
20	GASKET	25327
21	GUARD RING	25328
24	BRACKET ASSEMBLY	25329



SHEET NO.

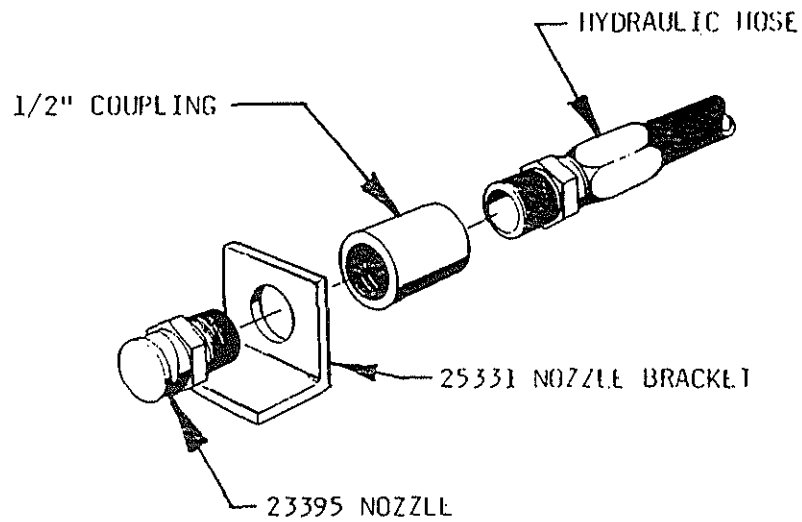
TITLE

25267 ANSUI 101B. 1 BR 1 X INQUIRIR PACKAGE

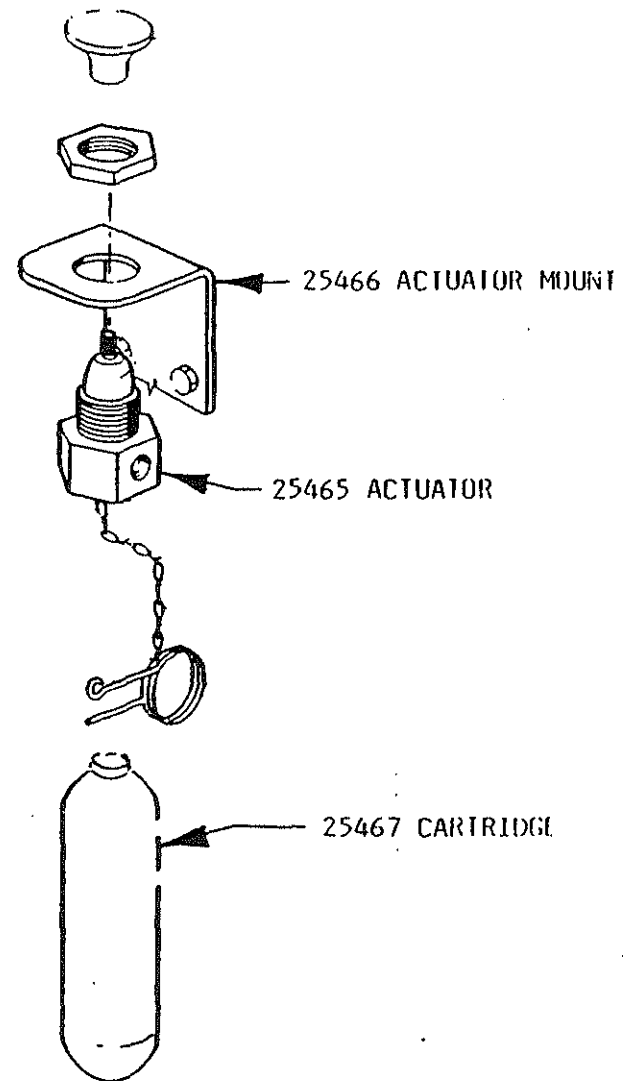
DATE

R

J. N. FLETCHER & CO.
 707 WEST 7TH STREET
 HUNTINGTON, W VA



NOZZLE ARRANGEMENT



53488 ACTUATOR ASSEMBLY

SHEET NO.

TITLE

DATE

R

ANSUL FIRE SYSTEM INFORMATION

J. H. FLETCHER & CO.

707 WEST 7TH STREET

HUNTINGTON, W. VA.



MAINTENANCE – AUTOMATIC/MECHANICAL ACTUATION

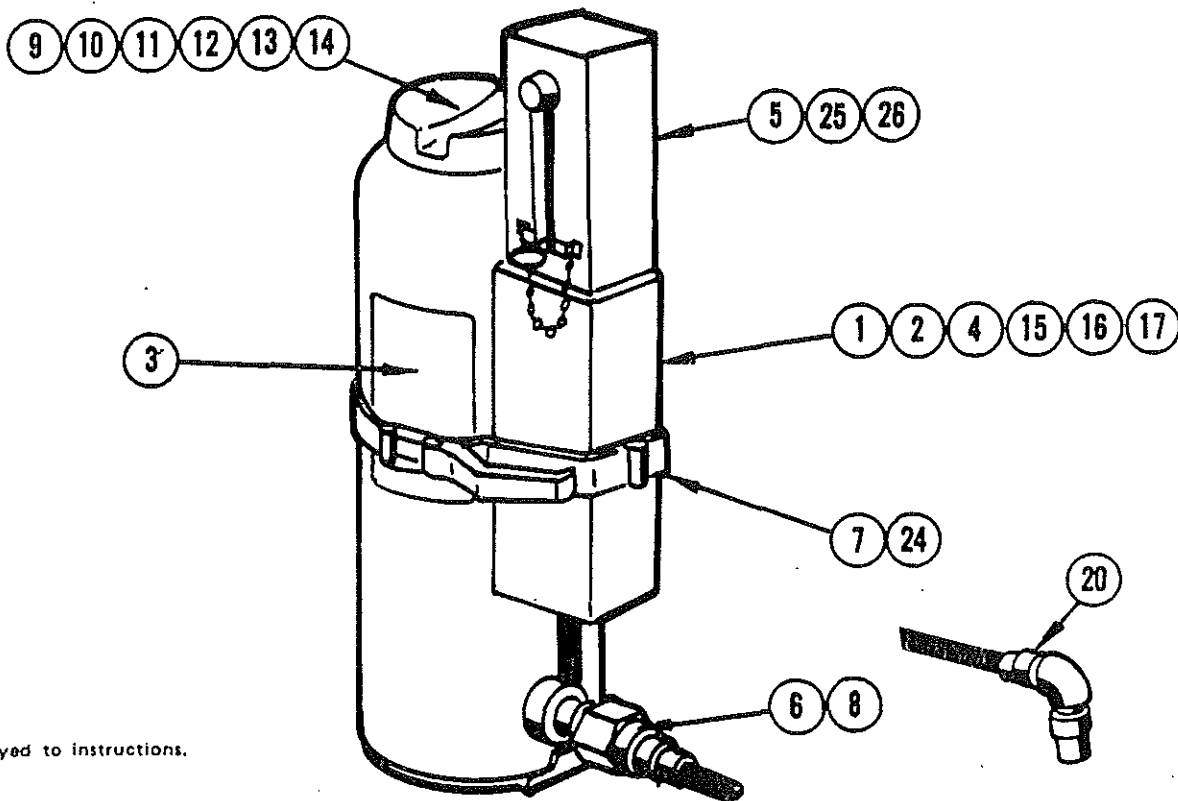
To provide reasonable assurance that your Ansul A-101 System will operate effectively and safely:

1. Make certain extinguisher is in designated place.
2. Note general appearance for mechanical damage.
3. Check nameplate for readability.
4. Install ring pin in actuator/cartridge receiver.
5. Remove cover plate from extinguisher side of release.
6. Disconnect bursting disc union.
7. Release holding strap and remove extinguisher.
8. Check the bursting disc to insure that it has not been ruptured and is properly installed – full disc side must face extinguisher.
9. Remove fill cap.
10. Check threads on fill cap and in fill opening for nicks, burrs, cross threading, rough or feathered edges.
11. Check pressure relief vent hole in fill opening for obstructions.
12. Check fill cap gasket for elasticity – clean and coat lightly with good grade of high heat resistant grease.
13. Make certain tank is filled with free-flowing Ansul dry chemical to a level not more than 3 inches from bottom of fill opening.
14. Secure fill cap, hand tighten.

15. Remove cartridge guard assembly.
16. Remove cartridge and weigh. Weight must be within ¼ ounce of weight stamped on cartridge.
17. Screw in cartridge, hand tighten.
18. Replace cartridge guard.
(DO NOT REINSTALL EXTINGUISHER AT THIS TIME.)
19. Check hose, fittings, and nozzles for mechanical damage.
20. Check nozzle openings – slot should be closed (capped) with silicone grease or covered with black plastic blow-off cap (Part No. 4120).
21. Install fusible link in detector(s).
22. Cut or melt fusible link to test fire detection system.

NOTE: If system does not fire, check wire rope tension – adjust tension on wire rope and cock the release. Repeat Steps 21 and 22.

23. After successful test firing, cock release and secure with ring pin and seal with visual seal (Part No. 15999).
24. Reinstall fully charged extinguisher.
Reassemble bursting disc union, wrench tighten.
Secure extinguisher with holding strap.
25. Replace cover on mechanical release.
26. Remove ring pin from actuator/cartridge receiver.
27. Record date of maintenance.



Numbers are keyed to instructions.

MAINTENANCE – PNEUMATIC ACTUATION

To provide maximum assurance that your Ansul A-101 System will operate effectively and safely:

1. Note general appearance for mechanical damage or corrosion.
2. Check nameplate for readability, corrosion or looseness.
3. Remove fill cap assembly.
4. Examine fill cap gaskets for elasticity – clean and coat lightly with a good grade of high heat resistant grease.
5. Inspect threads on fill cap and in fill opening for nicks, burrs, cross threading, rough or feathered edges.
6. Check pressure relief vent in fill opening threads for obstruction.
7. Make certain extinguisher is filled with free-flowing Ansul FORAY dry chemical to a level of not more than 3 inches from bottom of fill opening.
8. Secure fill cap, hand tighten.
9. Remove extinguisher cartridge guard assembly.
10. Unscrew cartridge and weigh (replace if weight is 1/4 oz. less than stamped on cartridge).
11. Inspect threads on cartridge and in receiver/actuator for nicks, burrs, cross threading, rough or feathered edges.
12. Check pressure vents in receiver/actuator for obstruction.
13. Examine cartridge receiver gasket for elasticity – clean and coat lightly with a good grade of high heat resistant grease. Return cartridge to receiver/actuator, hand tighten.

14. Disengage bursting disc union and open bracket clamp.
15. Lift extinguisher partially out of bracket and examine bursting disc – should be installed with full disc side facing extinguisher, properly seated and undamaged (scored, or ruptured).
16. Reposition extinguisher, engage bursting disc union (wrench tighten) and close bracket clamp.
17. Check hose, fittings and nozzles for mechanical damage.
18. Check nozzle openings – slot should be closed (capped) with silicone grease or covered with black plastic blow-off cap (Part No. 4120).
19. Check remote actuator – **DASHBOARD TYPE.**

Remove cartridge and weigh (replace if weight is 1/4 oz. less than stamped on cartridge).

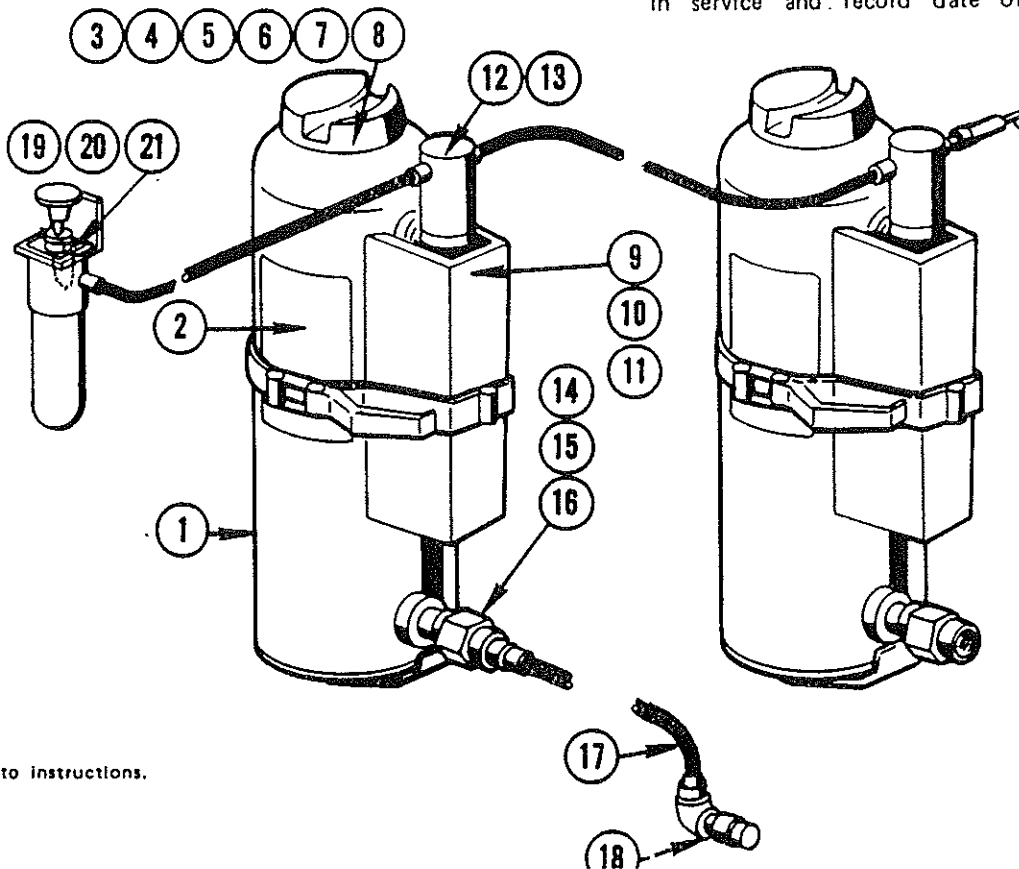
Inspect threads on cartridge and in actuator for nicks, burrs, cross threading, rough or feathered edges.

Check pressure safety vent in actuator body for obstruction.

Examine actuator cartridge gasket for elasticity – clean and coat lightly with a good grade of high heat resistant grease.

Pull ring pin and operate actuator button several times to check for free movement.

20. Seal ring pin to puncture lever with lead and wire seal, Ansul Part No. 197. Return cartridge to remote actuator, hand tighten.
21. Notify operating personnel extinguishing system is back in service and record date of maintenance check.

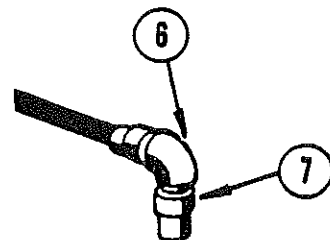
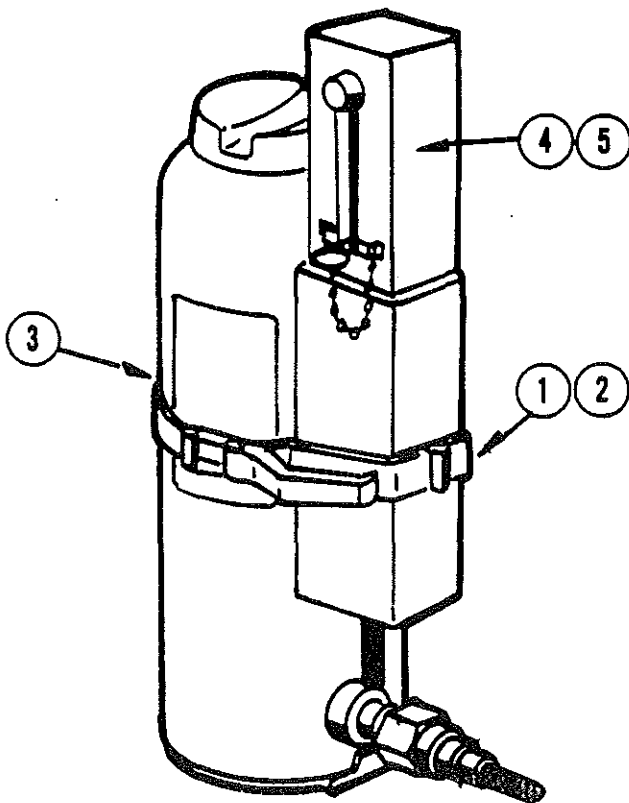


Numbers are keyed to instructions.

INSPECTION – AUTOMATIC/MECHANICAL ACTUATION

To provide reasonable assurance that your Ansul A-101 system is fully charged and operable:

1. Make certain extinguisher is in designated place.
2. Note general appearance for mechanical damage.
3. Check nameplate for readability.
4. Check visual seal on ring pin in cocking handle.
5. Check visual release indicator position – should be in “cocked” position.
6. Check piping, fittings, blow-off caps and nozzles for mechanical damage.
7. Check nozzle openings – slot should be closed (capped) with silicone grease or covered with black plastic blow-off cap (Part No. 4120).
8. Record date of inspection.



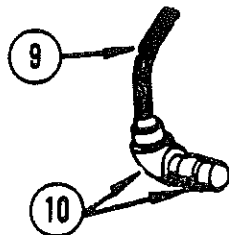
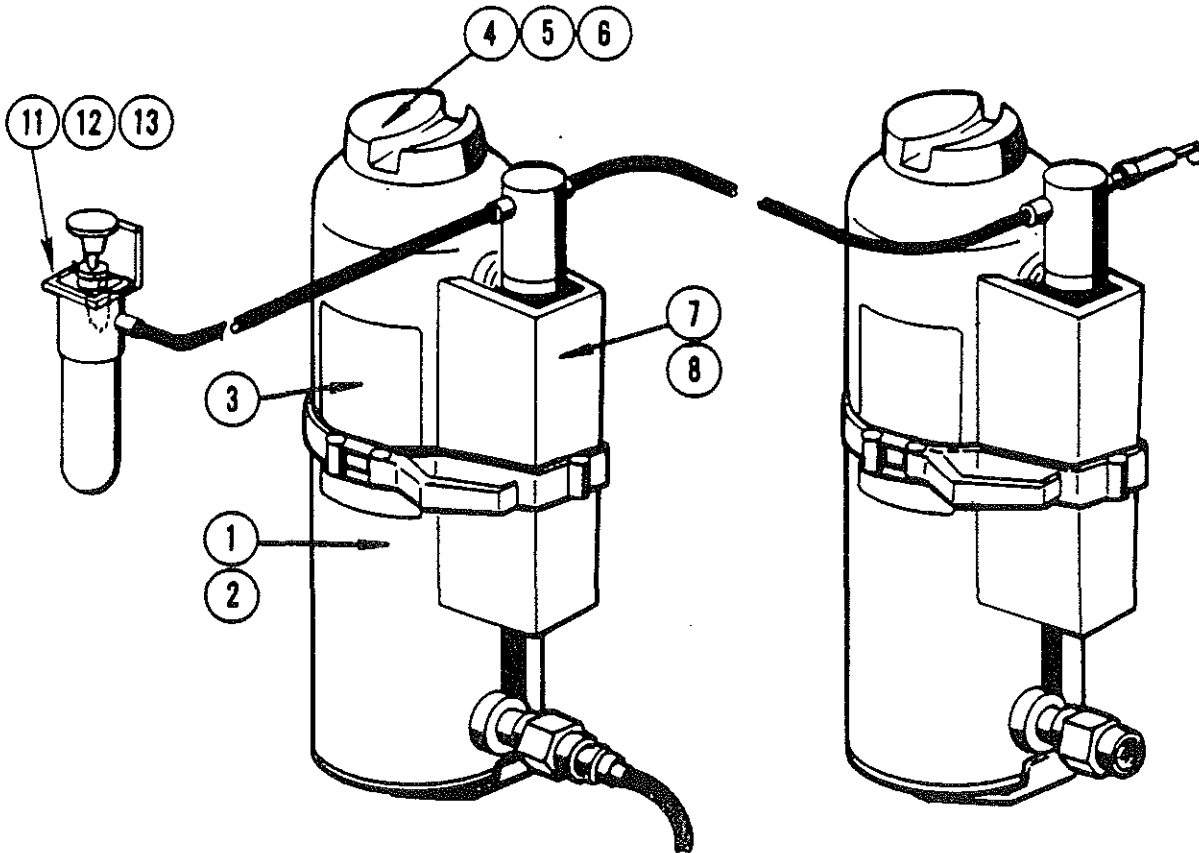
Numbers are keyed to instructions.



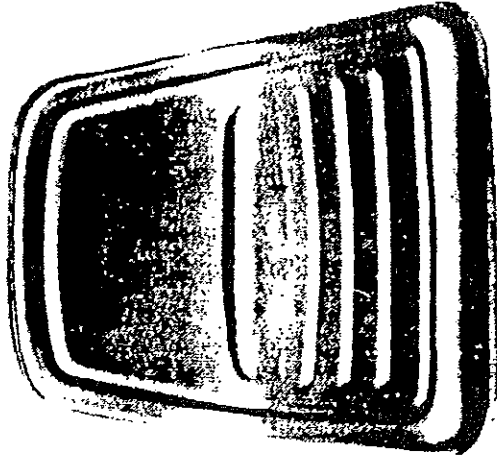
INSPECTION – PNEUMATIC ACTUATION

To provide reasonable assurance that your Ansul A-101 System is charged and operable:

1. Make certain extinguisher is in its designated place.
2. Note general appearance for mechanical damage or corrosion.
3. Check nameplate(s) for readability.
4. Remove fill cap assembly.
5. Make certain extinguisher is filled with free-flowing Ansul dry chemical to a level of not more than 3 inches from the bottom of the fill opening.
6. Secure fill cap, hand tighten.
7. Remove cartridge from extinguisher and examine disc – seal should be unruptured.
8. Return cartridge to cartridge receiver/actuator assembly, hand tighten.
9. Check piping (hose), fittings and nozzles for mechanical damage and cuts.
10. Check nozzle openings – slot should be closed (capped) with silicone grease or covered with black plastic blow-off cap (Part No. 4120).
11. Remove cartridge from remote actuator, and examine disc – seal should be unruptured.
12. Return cartridge to remote actuator assembly, hand tighten.
13. Replace any broken or missing lead and wire seals and record date of inspection.



Numbers are keyed to instructions.



SHEET NO,
MX-40

3218 OPERATORS SEAT

TITLE

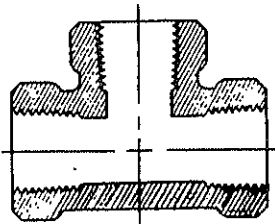
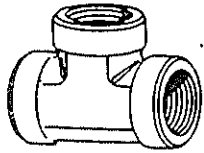
DATE

10-16-85

R

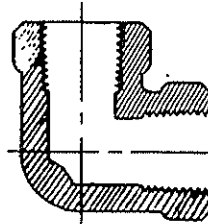
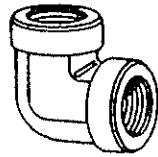
J. H. FLETCHER & CO.
707 WEST 7TH STREET
HUNTINGTON, W. VA.

TEE



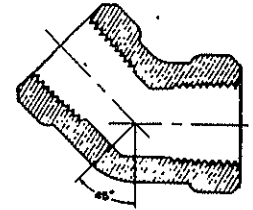
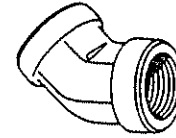
<u>PART NO.</u>	<u>THREAD SIZE</u>
20427	1/4"
20428	3/8"
20429	1/2"
20430	3/4"
20481	1"

90° ELBOW



<u>PART NO.</u>	<u>THREAD SIZE</u>
20417	1/4"
20418	3/8"
20419	1/2"
20420	3/4"
20421	1"
20422	1-1/4"

45° ELBOW



<u>PART NO.</u>	<u>THREAD SIZE</u>
20432	1/4"
20433	3/8"
32813	1/2"
32814	3/4"
32815	1"
32816	1-1/4"

SHEET NO.

N.P.I.

TITLE

STANDARD PIPE FITTINGS

DATE

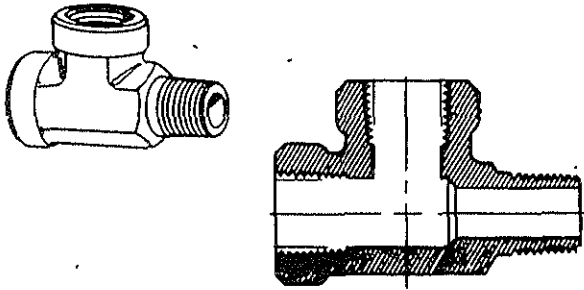
R

J. H. FLETCHER & CO.

707 WEST 7TH STREET

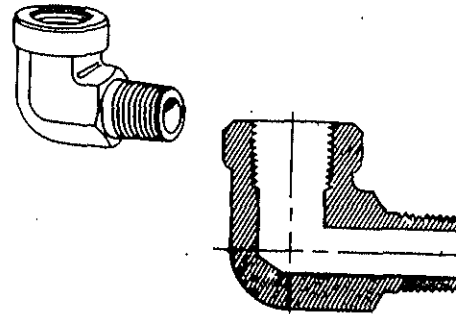
HUNTINGTON, W. VA.

MALE RUN TEE



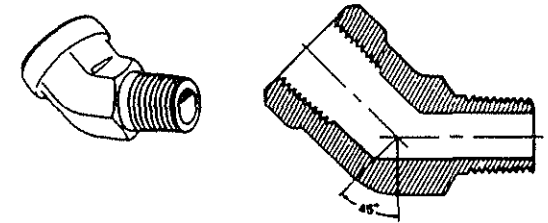
<u>PART NO.</u>	<u>THREAD SIZE</u>
20423	1/4"
20424	3/8"
20425	1/2"
20426	3/4"
20301	1"

90° STREET ELBOW



<u>PART NO.</u>	<u>THREAD SIZE</u>
32809	1/4"
32810	3/8"
32811	1/2"
20257	3/4"
32812	1"
20412	1-1/4"

45° STREET ELBOW



<u>PART NO.</u>	<u>THREAD SIZE</u>
20414	1/4"
20415	3/8"
20416	1/2"
32735	3/4"
20250	1"
36502 (GREASE HOSE)	1/8"

SHEET NO.

N.P.T.

TITLE

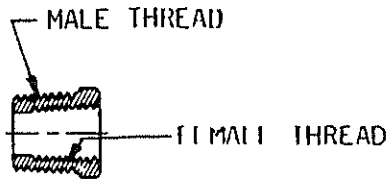
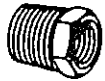
STANDARD PIPE FITTINGS

DATE

R

J. H. FLETCHER & CO.

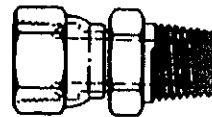
BUSHING



<u>PART NO.</u>	<u>MALE THREAD</u>	<u>FEMALE THREAD</u>
32445	1"	3/4"
32446	1"	1/2"
32447	1"	3/8"
32448	1"	1/4"
32449	3/4"	1/2"
32450	3/4"	3/8"
32451	3/4"	1/4"
32452	1/2"	3/8"
32453	1/2"	1/4"
32454	3/8"	1/4"
32822	1/4"	1/8"

<u>PART NO.</u>	<u>MALE THREAD</u>	<u>FEMALE THREAD</u>
32663	2-1/2"	2"
32436	2-1/2"	1-1/2"
32817	2-1/2"	1-1/4"
32818	2"	1-1/2"
32819	2"	1-1/4"
32437	1-1/2"	1-1/4"
32438	1-1/2"	1"
32820	1-1/2"	3/4"
32439	1-1/2"	3/8"
32440	1-1/4"	1"
32441	1-1/4"	3/4"
32442	1-1/4"	1/2"
32443	1-1/4"	3/8"
32444	1-1/4"	1/4"

STRAIGHT HOSE UNION



<u>PART NO.</u>	<u>SIZE</u>
36503	1/8" GREASE HOSE

SHEET NO.

N. P. T.

TITLE

STANDARD PIPE FITTINGS

DATE

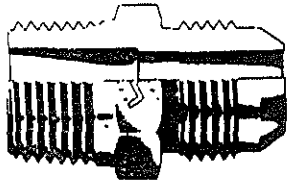
R

J. W. FLETCHER & CO.

707 WEST 7TH STREET

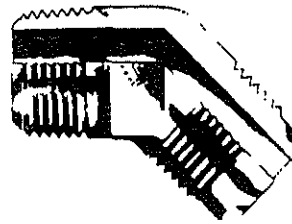
HUNTINGTON, W. VA.

MALE PIPE TO MALE J.I.C.



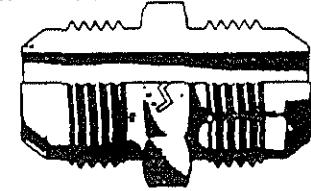
(STRAIGHT MALE ADAPTOR)

MALE PIPE TO MALE J.I.C.



(45° MALE ELBOW)

MALE J.I.C. TO MALE J.I.C.



(STRAIGHT ADAPTOR UNION)

<u>PART NO.</u>	<u>SIZE</u>
20570	1" PIPE TO 1" JIC
20571	1/2" PIPE TO 1/2" JIC
20572	3/4" PIPE TO 3/4" JIC
20573	3/8" PIPE TO 3/8" JIC
20574	1/4" PIPE TO 1/4" JIC
20577	3/4" PIPE TO 1/2" JIC
20578	3/4" PIPE TO 1" JIC
20579	1/2" PIPE TO 3/8" JIC
20580	1/2" PIPE TO 3/4" JIC
20581	1/2" PIPE TO 1" JIC
20582	3/8" PIPE TO 1/2" JIC
20583	3/8" PIPE TO 3/4" JIC
20584	1/4" PIPE TO 3/8" JIC
20585	1/4" PIPE TO 1/2" JIC

<u>PART NO.</u>	<u>SIZE</u>
20586	1" PIPE TO 1" JIC
20587	3/4" PIPE TO 3/4" JIC
20588	1/2" PIPE TO 1/2" JIC
20589	3/8" PIPE TO 3/8" JIC
20590	1/4" PIPE TO 1/4" JIC
20591	1" PIPE TO 3/4" JIC
20592	3/4" PIPE TO 1" JIC
20593	1/2" PIPE TO 3/4" JIC
20594	1/2" PIPE TO 1" JIC
20595	3/8" PIPE TO 1/2" JIC
20596	3/8" PIPE TO 3/4" JIC
20597	1/4" PIPE TO 1/2" JIC

<u>PART NO.</u>	<u>SIZE</u>
20613	3/4" PIPE TO 3/4" JIC
20614	1" PIPE TO 1" JIC
20615	1/2" PIPE TO 1/2" JIC
20616	3/8" PIPE TO 3/8" JIC
20617	1/4" PIPE TO 1/4" JIC

SHEET NO.

J. F. C.

TITLE

HYDRAULIC HOSE FITTINGS

DATE

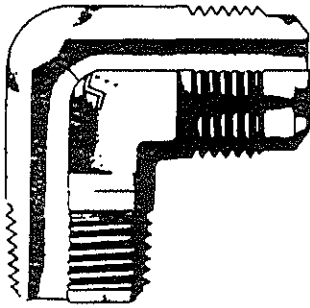
R

J. H. FLETCHER & CO.

707 WEST 7TH STREET

HUNTINGTON, W. VA.

MALE PIPE TO MALE J.I.C.



(90° MALE ELBOW)

<u>PART NO.</u>	<u>SIZE</u>
20598	1" PIPE TO 1" JIC
20599	3/4" PIPE TO 3/4" JIC
20600	1/2" PIPE TO 1/2" JIC
20601	3/8" PIPE TO 3/8" JIC
20602	1/4" PIPE TO 1/4" JIC
20603	1" PIPE TO 1-1/4" JIC
20604	3/4" PIPE TO 1/2" JIC
20605	3/4" PIPE TO 1" JIC
20606	1/2" PIPE TO 3/8" JIC
20607	1/2" PIPE TO 3/4" JIC
20608	1/2" PIPE TO 1" JIC
20609	3/8" PIPE TO 1/2" JIC
20610	3/8" PIPE TO 3/4" JIC
20611	1/4" PIPE TO 3/8" JIC
20612	1/4" PIPE TO 1/2" JIC

SHEET NO.

J.I.C.

TITLE

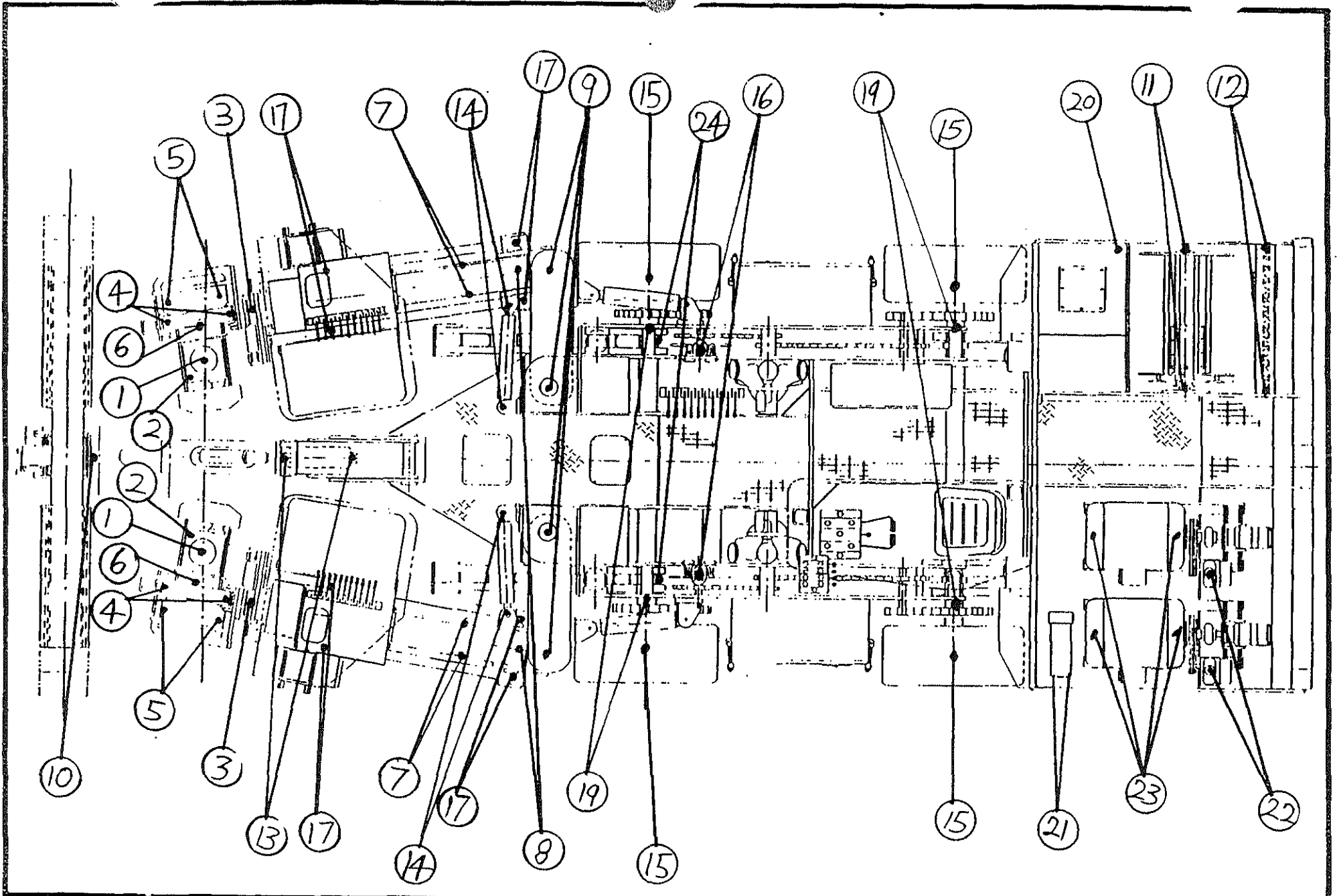
HYDRAULIC HOSE FITTINGS

DATE

R

J. H. FLETCHER & CO.

<u>ITEM</u>	<u>DESCRIPTION</u>	<u>RECOMMENDED LUBRICATION</u>	<u>INTERVAL</u>
1	DRILLHEAD FLINGER	MULTI-PURPOSE GREASE #2 LITHIUM	EACH SHIFT
2	DRILLHEAD OIL LEVEL	SAE 90 OR 80W/90 MULTI-PURPOSE GEAR OIL	DAILY (FLUSH WEEKLY)
3	MAST TILT ASSEMBLY	MULTI-PURPOSE GREASE #2 LITHIUM	WEEKLY
4	DRILLHEAD CARRIAGE	" " " "	"
5	DRILL CROSSHEAD ASSEMBLY (ROLLERS)	" " " "	"
6	HYDRAULIC DRILLGUIDE LINKS (OPTIONAL)	" " " "	"
7	INNER BOOM WEAR STRIPS	" " " "	"
8	OUTER BOOM ROLLERS	" " " "	"
9	BOOM ARM PIVOTS	" " " "	"
10	TRS HOUSING PIVOT PIN	" " " "	"
11	CABLE REEL ASSEMBLY	" " " "	"
12	SPOOLER ASSEMBLY	" " " "	"
13	TRS BOOM LIFT CYLINDER PINS	" " " "	"
14	BOOM SWING CYLINDER ENDS	" " " "	"
15	WHEEL HUBS (FRONT & REAR)	" " " "	"
16	DISC BRAKE ASSEMBLY	" " " "	"
17	BOOM LINK PIVOTS	" " " "	"
19	TRAM DRIVE COUNTERSHAFT BEARINGS	" " " "	"
20	HYDRAULIC OIL TANK (FILL PUMP)	ASTM 315 OR ISO-VG68 ANTI-WEAR HYDRAULIC OIL AS	NEEDED
21	HYDRAULIC OIL FILTER ASSEMBLY	CHANGE ELEMENT WHEN FILTER INDICATES	
22	BLOWER ASSEMBLY	SEE BLOWER INSTRUCTION MANUAL	
23	ELECTRIC MOTOR SUPPLY	SEE ELECTRIC INSTRUCTION MANUAL	
24	STAB FOOT ASSEMBLY	MULTI-PURPOSE GREASE NO. 2 LITHIUM	WEEKLY



SHEET NO.

L-331

TITLE

LUBRICATION DIAGRAM FOR MODEL HDDR

DATE

12/18/86

R

J. H. FLETCHER & CO.

707 WEST 7TH STREET

HUNTINGTON, W. VA

<u>ITEM</u>	<u>DESCRIPTION</u>	<u>LUBRICATION</u>	<u>INTERVAL</u>	<u>HOURS</u>
1	RAISE CYLINDER EYES	MULTI-PURPOSE #2 LITHIUM GREASE	WEEKLY	(40 HRS.)
2	FOOT CYLINDER EYES	" " " "	WEEKLY	(40 HRS.)
3	UPPER LEMNISCATE LINK	" " " "	WEEKLY	(40 HRS.)
4	LOWER LEMNiscate LINK	" " " "	WEEKLY	(40 HRS.)
5	TRS BEAM LINK PIVOT	" " " "	WEEKLY	(40 HRS.)

