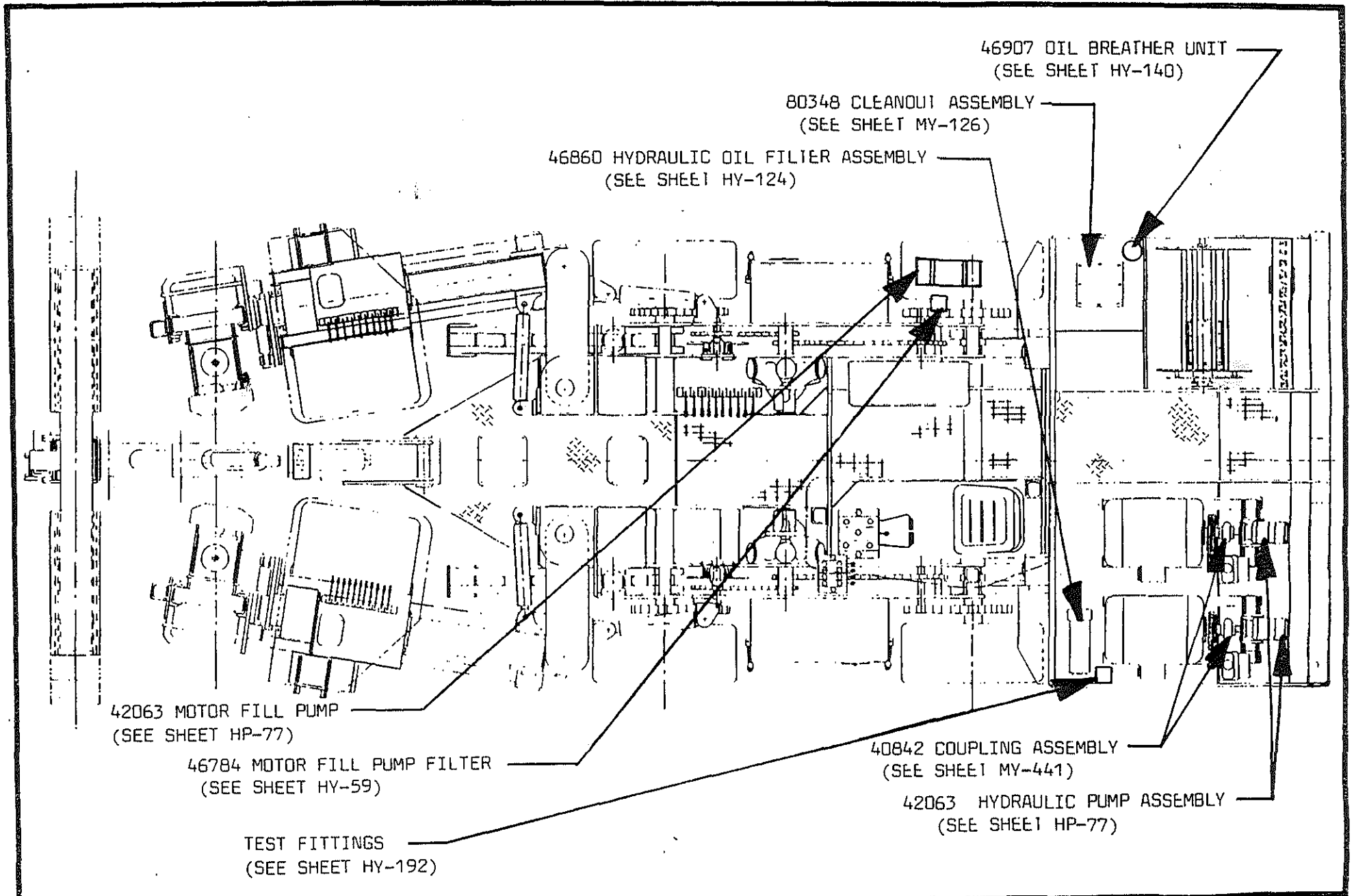


Pump
System



SHEET NO.

TITLE

DATE

R

J. H. FLETCHER & CO.

INDEX FOR PUMP SYSTEM

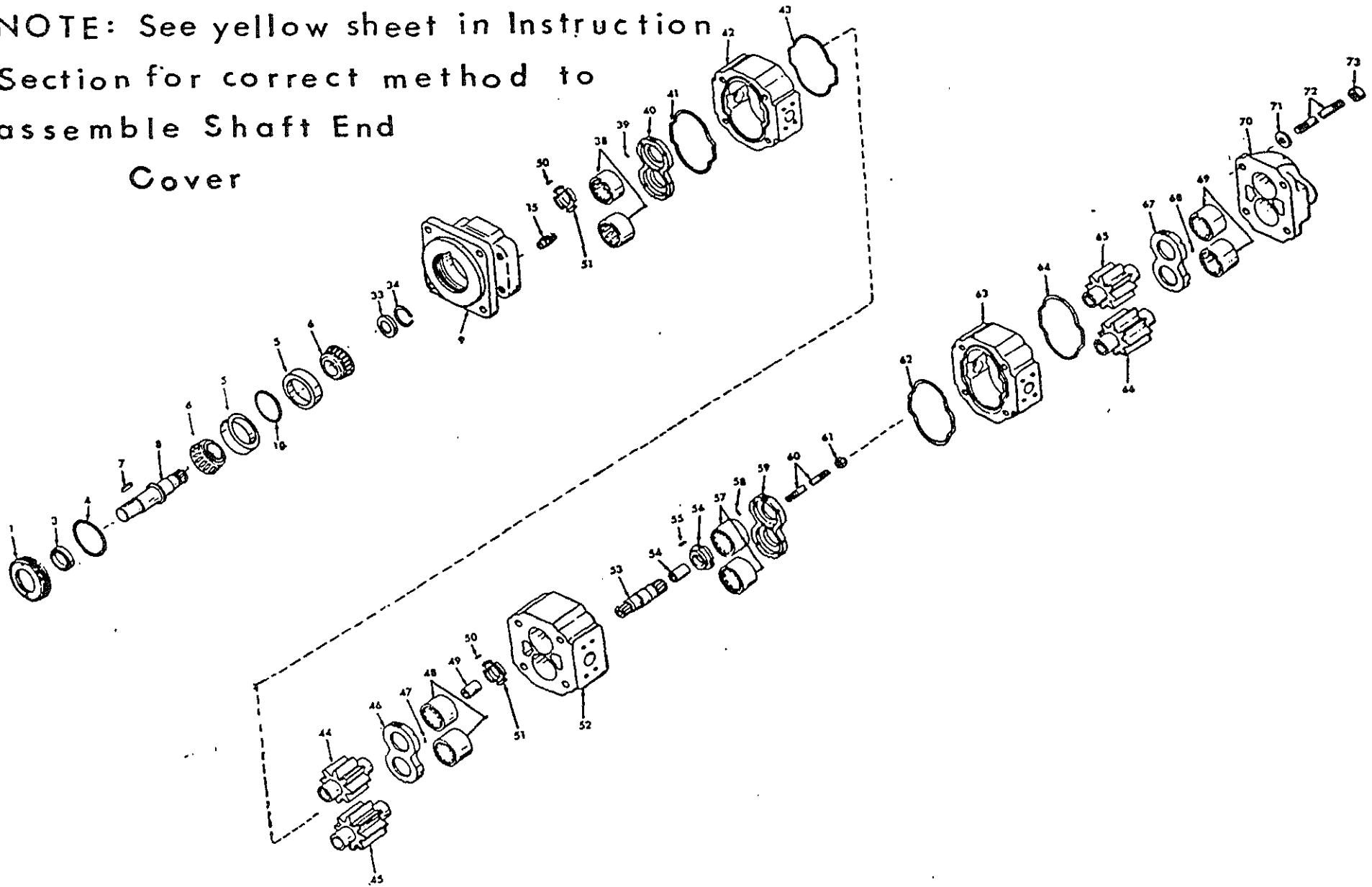
<u>DESCRIPTION</u>	<u>PART NO.</u>	<u>SHEET NO.</u>	<u>NO. REQ'D</u>
HYDRAULIC PUMP ASSEMBLY	42063	HP-77	3
PUMP MOUNT ASSEMBLY	45597	HY-92	2
HYDRAULIC OIL FILTER ASSEMBLY	46860	HY-124	2
OIL BREATHER CAP	46907	HY-140	1
TEST FITTINGS		HY-192	4
CLEANOUT ASSEMBLY	80348	MY-126	1
COUPLING ASSEMBLY	40842	MY-441	2

SHEET NO.	TITLE	DATE	R	J. H. FLETCHER & CO.
HP-77	42063 HYDAULIC PUMP			707 WEST 7TH STREET HUNTINGTON, W. VA.

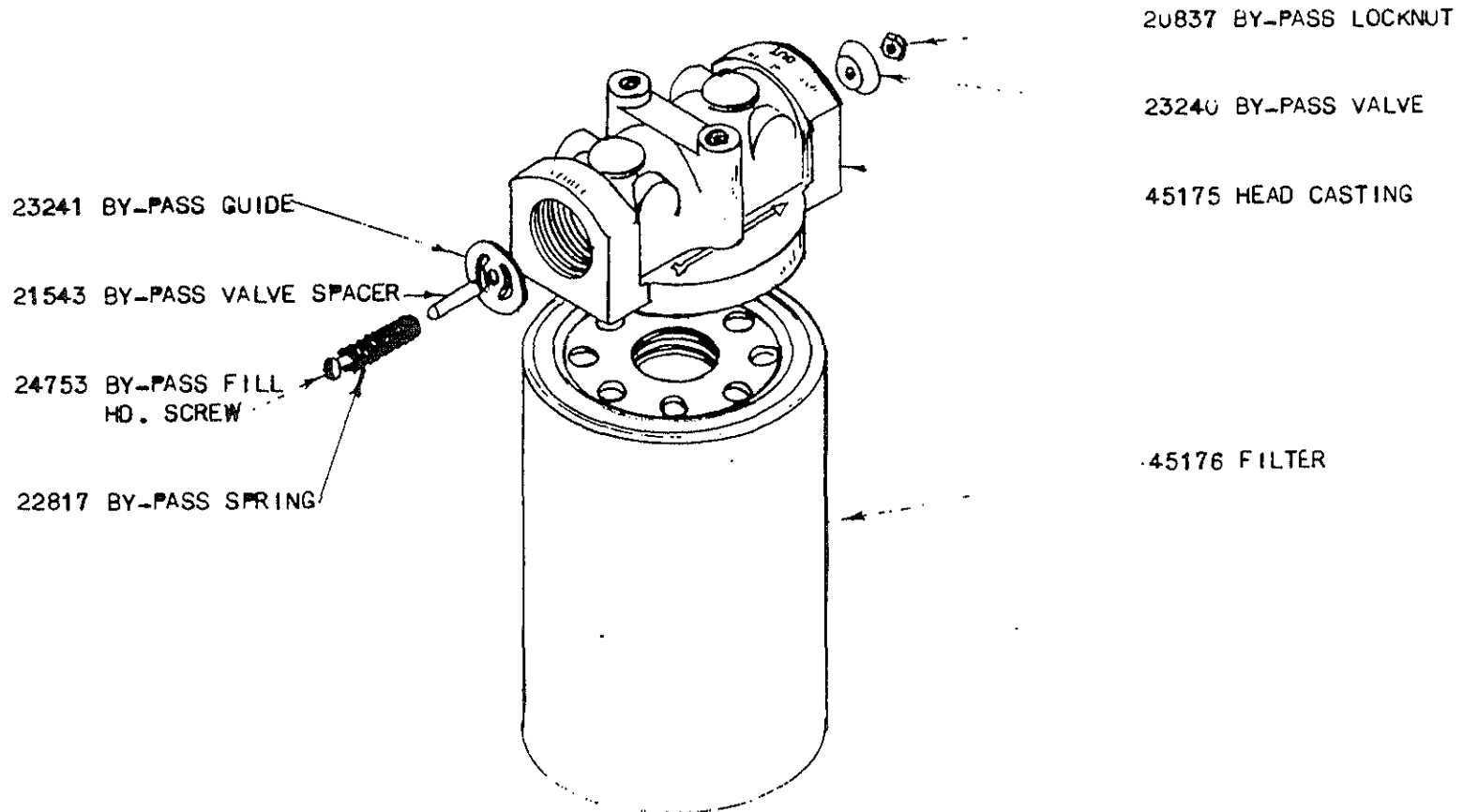
ITEM	PART NO.	DESCRIPTION	NO. REQ'D	ITEM	PART NO.	DESCRIPTION	NO. REQ'D
1.	23045	RETAINER RING	1	53.	30513	CONNECTING SHAFT	1
2.	24269	HI-PRESSURE SEAL	1	54.	21509	SPACER	1
3.	C3186-8-AL	"O" RING	1	55.	30397	ROLL PIN	1
5 AND 6.				56.	40255.	SHAFT BUSHING	1
	40008	ROLLER BEARING	2	57.	40009	NEEDLE BEARING	2
7.	23765	KEY	1	58.	21266	POCKET SEALS	6
8.	30518	SHAFT	1	59.	23035	THRUST PLATE	1
9.	47001	SHAFT END COVER	1	60.	31770	CONNECTING STUD	1
10.	21504	BEARING SPACER	1	61.	20778	NUT	1
33.	21505(**)	SPACER	1	62.	C3186-22AL	"O" RING	1
34.	AP-1	SNAP RING	1	63.	47253	GEAR HOUSING	1
35.	23048	CHECK ASSEMBLY	2	64.	C3186-22AL	"O" RING	1
38.	40009	NEEDLE BEARING	2	65 AND 66.			
39.	21266	POCKET SEALS	6		41254	GEAR SET	1
40.	23035	THRUST PLATE	1	67.	23035	THRUST PLATE	1
41.	C3186-22AL	"O" RING	1	68.	21266	POCKET SEAL	6
42.	47258	GEAR HOUSING	1	69.	40009	NEEDLE BEARING	2
43.	C3186-22AL	"O" RING	1	70.	47452	PORT END COVER	1
44 AND 45.				71.	22035	WASHER	4
	41260	GEAR SET	1	72.	31769	STUD	4
46.	23035	THRUST PLATE	1				
47.	21266	POCKET SEALS	6				
48.	40009	NEEDLE BEARING	2				
49.	21514	SPACER	1				
50.	30397	ROLL PIN	2				
51.	40255	SHAFT BUSHING	2				
52.	47060	BEARING CARRIER	1				

(**) IF THIS SPACER DOES NOT ALLOW THE SNAP RING TO FIT THE SLOT USE
21508 SPACER.

NOTE: See yellow sheet in Instruction
 Section for correct method to
 assemble Shaft End
 Cover



SHEET NO. HP-77	TITLE HYDRAULIC PUMP	DATE REV. 3-3-76	R	J. H. FLETCHER & CO. 707 WEST 7TH STREET HUNTINGTON, W. VA.
--------------------	-------------------------	---------------------	---	--



23241 BY-PASS GUIDE

21543 BY-PASS VALVE SPACER

24753 BY-PASS FILL
HD. SCREW

22817 BY-PASS SPRING

20837 BY-PASS LOCKNUT

23240 BY-PASS VALVE

45175 HEAD CASTING

45176 FILTER

SHEET NO.

UV 50

TITLE

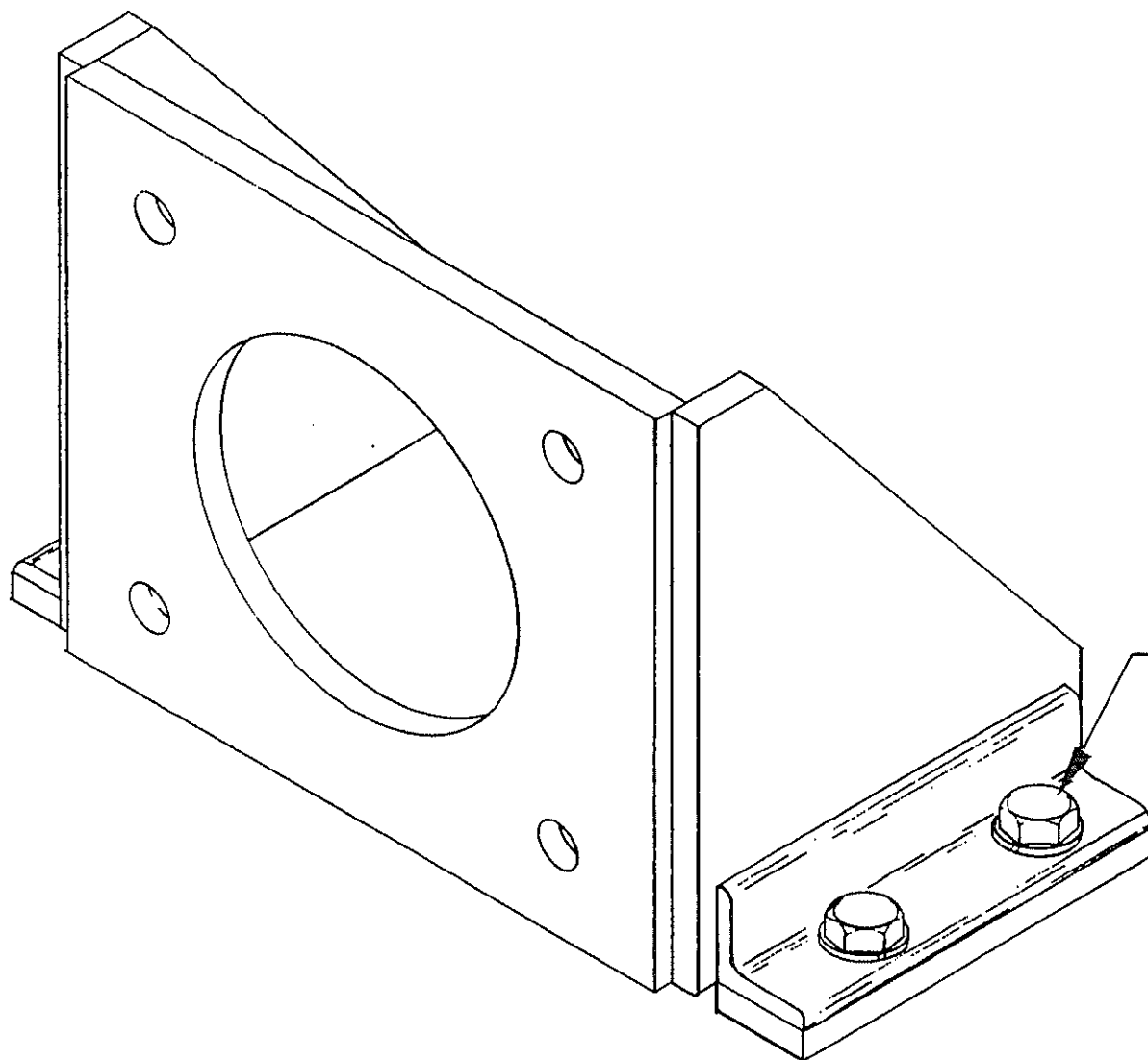
46784 HAND PUMP FILTER

DATE

11-19-66

R

J. H. FLETCHER & CO.



20079 HEX HD. CAP SCREW
WITH 22011 LOCKWASHERS
(4 REQ'D EACH)

SHEET NO.

11Y-92

TITLE

45597 PUMP MOUNT ASSEMBLY

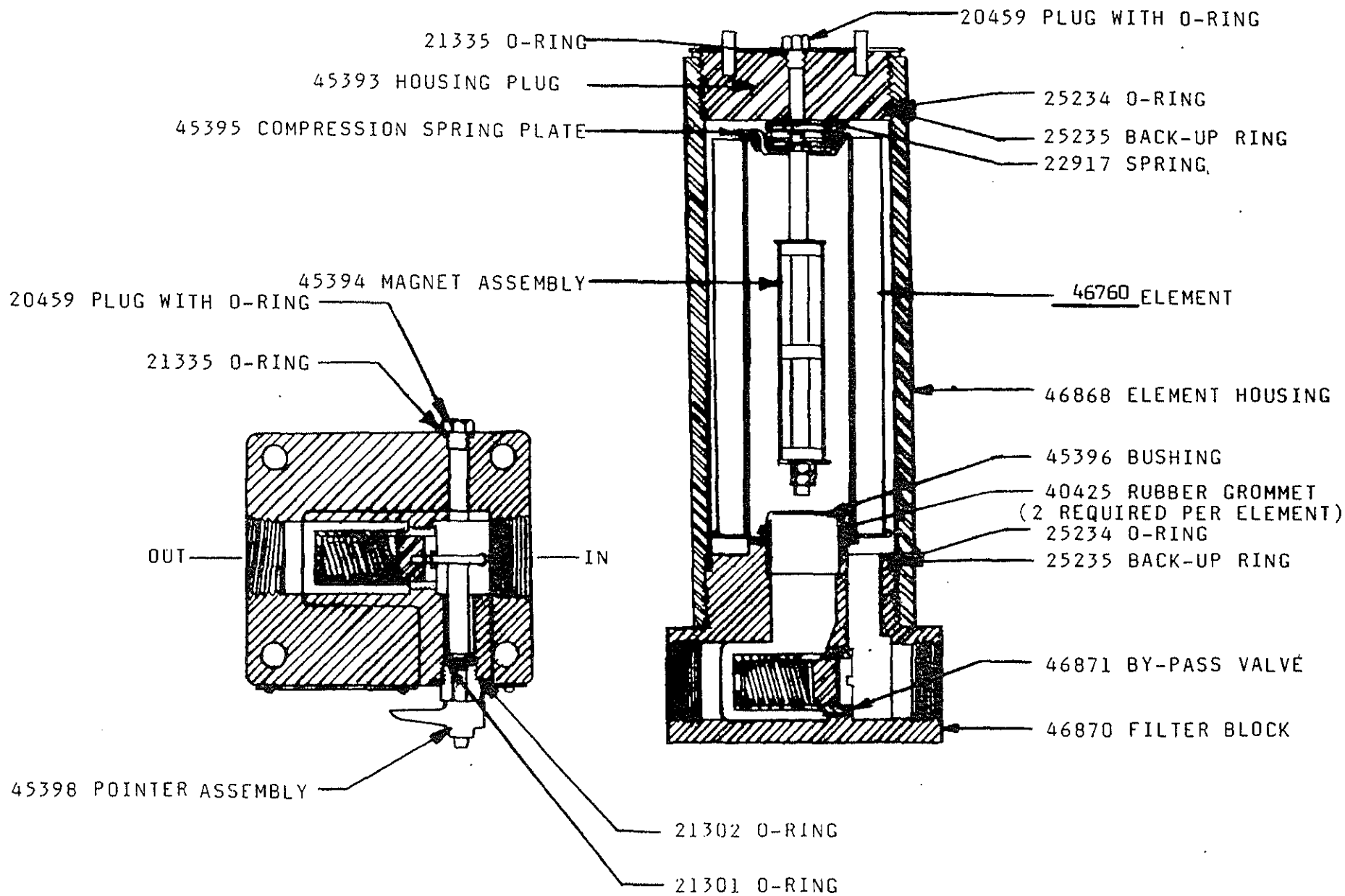
DATE

R

J. H. FLETCHER & CO.

707 WEST 7TH STREET

HUNTINGTON, W. VA.



SHEET NO.

TITLE

DATE

R

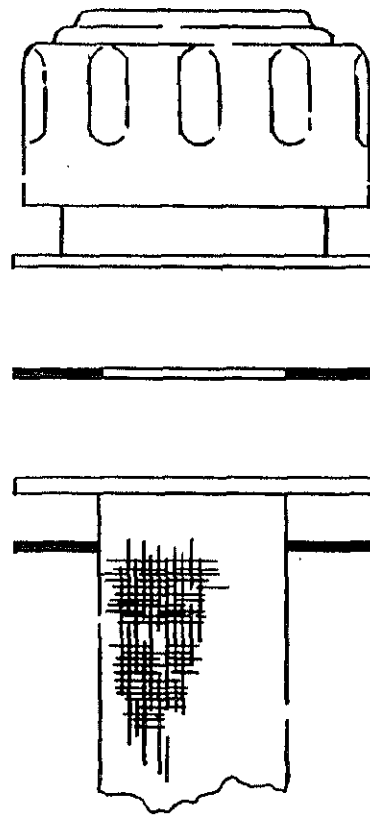
HY-124

46860

HYDRAULIC FILTER ASSEMBLY

1-29-79

J. H. FLETCHER & CO.



NOT SHOWN:
MOUNTING SCREWS - TYPE "F" #8-32x $\frac{1}{2}$ " LG.
SLOTTED ROUND HEAD SCREW (3 REQ'D)

SHEET NO.	TITLE	DATE	R J. H. FLETCHER & CO.
HY-140	46907 OIL BRFATHFR CAP (5 P.S.I.)	8/11/81	

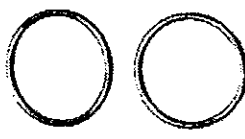
LOCK WASHER



BOLT

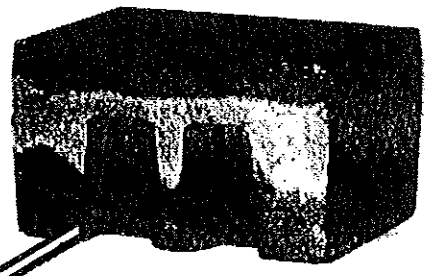


CAP



134209 O RING
(2 REQ'D)

BODY



SHEET NO.

TITLE

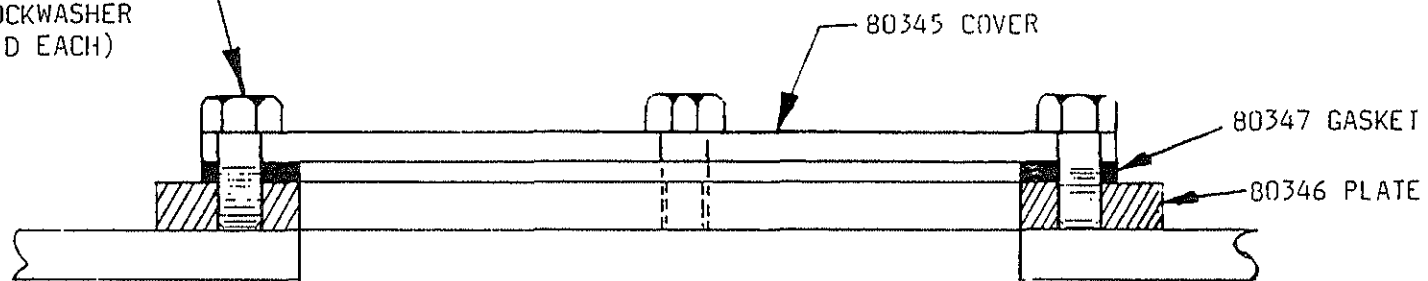
DATE

R

J. H. FLETCHER & CO.

00051

3/8"-16 X 3/4" LG.
HEX HEAD CAP SCREW
3/8" LOCKWASHER
(8 REQ'D EACH)



SHEET NO.

MY-126

TITLE

80348 CILANOUT ASSEMBLY

DATE

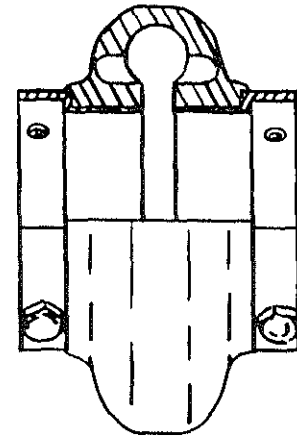
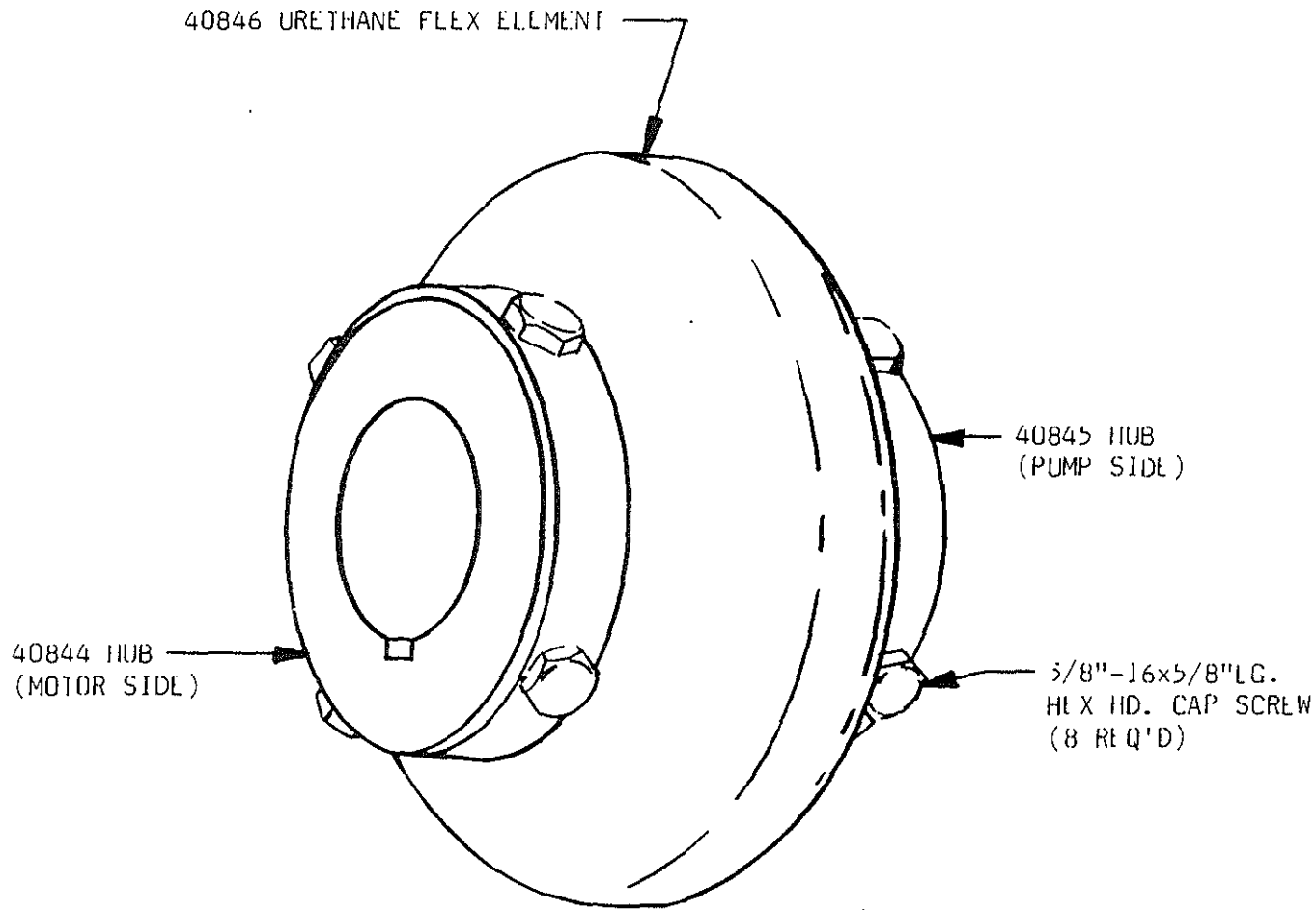
12-10-71

R

J. H. FLETCHER & CO.

707 WEST 7TH STREET

HUNTINGTON, W. VA.



NOT SHOWN:
 MOTOR SIDE, BT-2 KEY (1 REQ'D)
 1/2-13x1/2" LG. SET SCREW (2 REQ'D)
 PUMP SIDE, 23765 KEY (1 REQ'D)
 3/8"-16x1/2" SET SCREW (2 REQ'D)

SHEET NO.

MY-441

TITLE

40842 PUMP LINE ASSEMBLY

DATE

10/22/68

R

J. H. FLETCHER & CO.