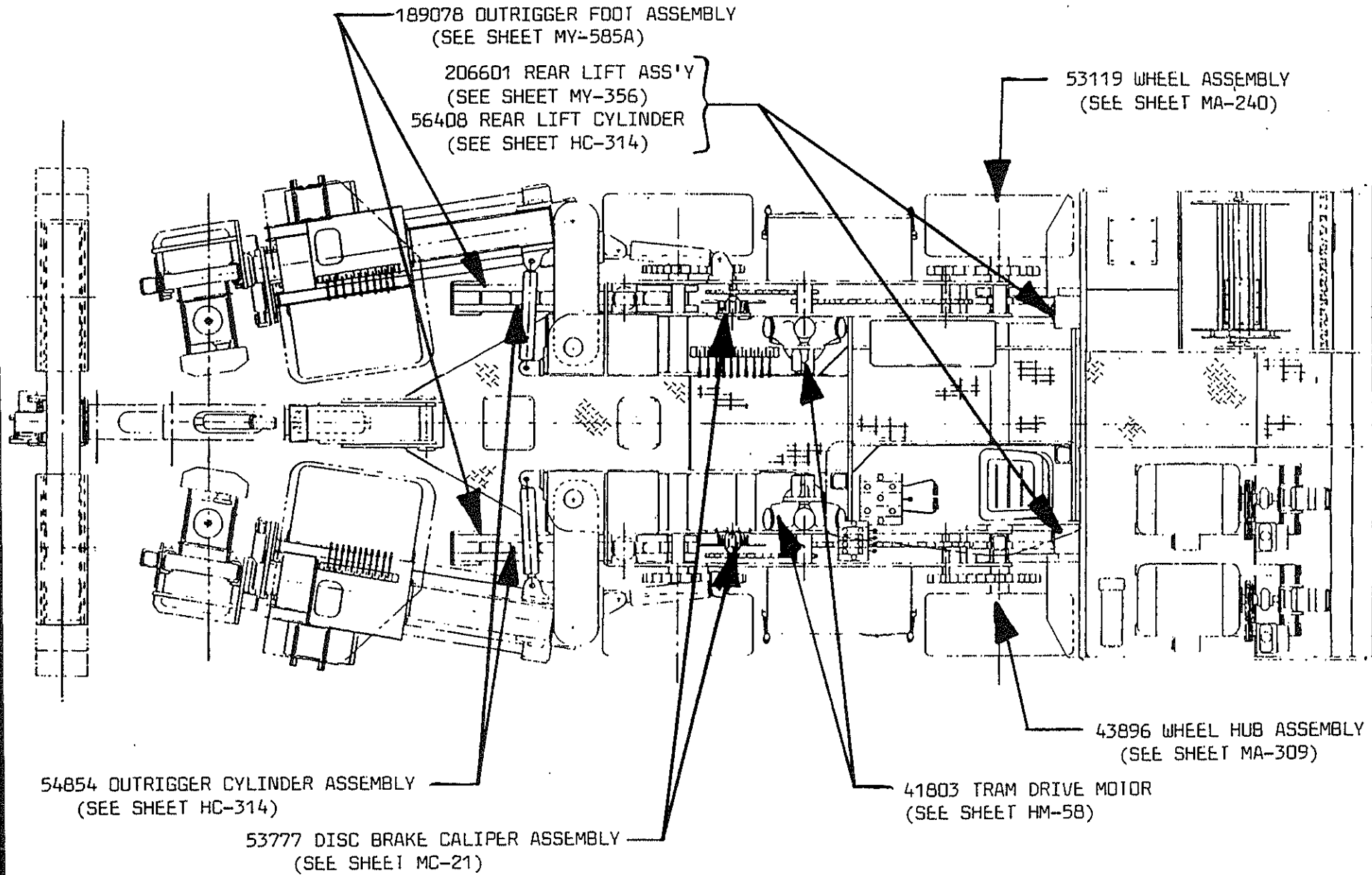


Tram
System



SHEET NO.

TITLE

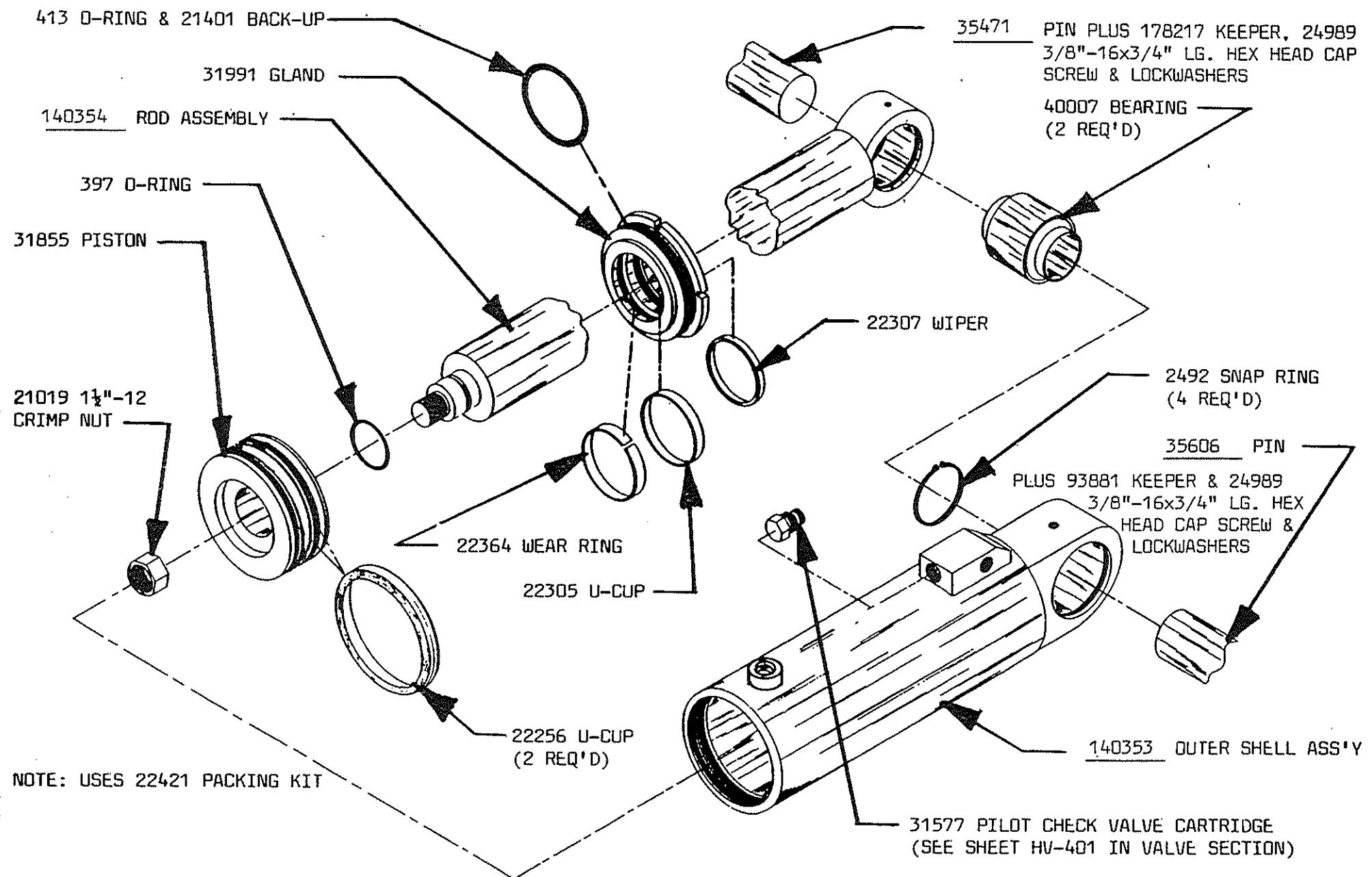
DATE

R

J. H. FLETCHER & CO

INDEX FOR TRAM SYSTEM

<u>DESCRIPTION</u>	<u>PART NO.</u>	<u>SHEET NO.</u>	<u>NO. REQ'd</u>
OUTRIGGER CYLINDER ASSEMBLY	54854	HC-314	2
TRAM DRIVE MOTOR ASSEMBLY	41803	HM-58	2
WHEEL ASSEMBLY	53028	MA-90	4
TRAM DRIVE CHAIN & SPROCKET ARRANGEMENT		MA-200	2
WHEEL HUB ARRANGEMENT		MA-309	4
TRAM MOTOR SPROCKET ASSEMBLY		MA-310	2
TRAM DRIVE COUNTERSHAFT ARRANGEMENT		MA-311	2
TRAM DRIVE COUNTERSHAFT ARRANGEMENT		MA-312	2
DISC BRAKE CALIPER ASSEMBLY	53777	MC-21	2
OUTRIGGER FOOT ASSEMBLY	189078	MY-585A	2



NOTE: USES 22421 PACKING KIT

OUTRIGGER CYLINDER

SHEET NO.	TITLE	DATE	R	J H FITCHER & CO

SHEET NO.

TITLE

DATE

J. H. FLEICHER & CO.

HM-58

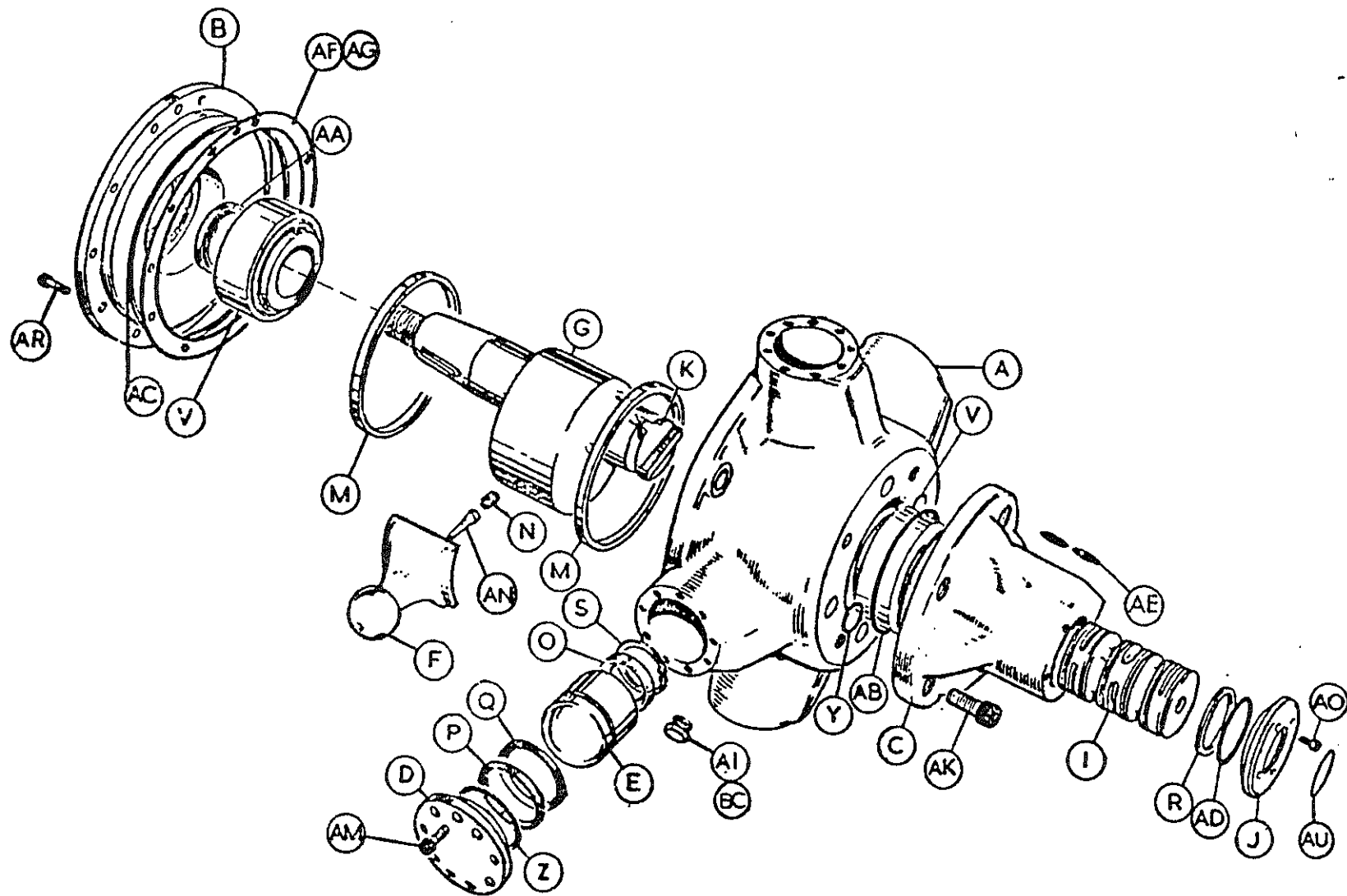
41803 STAFFA DRIVE MOTOR

3/11/80

707 WEST 7TH STREET

HUNTINGTON, W. VA.

ITEM	PART NO.	DESCRIPTION	NO. REQ'D	ITEM	PART NO.	DESCRIPTION	NO. REQ'D
A	45115	MOTOR CASE	1	Y	21322	"O" RING	5
B	45116	FRONT COVER	1	AE	34101	"O" RING (FOR MOTION CONTROL VALVE)	2
W	40249	FRONT BEARING	1	AB	21324	"O" RING	1
V	48851	REAR BEARING	1	AO	20194	5/16"UNF X 1/2" LG. S.H.C.S.	4
D	45118	CYLINDER HEAD	5	AK	20196	5/8" UNF X 1-3/4" LG. S.H.C.S.	5
P	24433	PISTON SEAL	5	E	45119	PISTON	5
Q	24280	BACK-UP PISTON SEAL	5	F	45120	CON ROD	5
M	24026	CON ROD RETAINING RING	2	AN	46781	FILTER	5
AF	21537	SHIM A-.002", B-.005", C-.010"AS REQ'D		N	23147	RESTRICTOR SCREW	5
AG	21735	SHIM .032" THICK	AS REQ'D	O	24027	PISTON RETAINING HALF RING	10
AA	24282	SHAFT SEAL	1	S	24028	CIRCLIP	5
AC	21325	"O" RING	1				
Z	21323	"O" RING	5				
AR	24828	3/8"UNF X 1" LG. S.H.C.S.	10				
AM	20197	3/8"UNF X 1" LG. S.H.C.S.	45				
AI	32730	DRAIN PLUG	2				
BC	24434	BONDED SEAL	2				
C	45117	VALVE HOUSING	1				
I	45121	VALVE SPOOL	1				
J	45122	VALVE END CUP	1				
R	24281	VALVE SEAL RING	12				
K	23146	OLDHAM COUPLING	1				
AD	21326	"O" RING	1				



TRAM DRIVE MOTOR

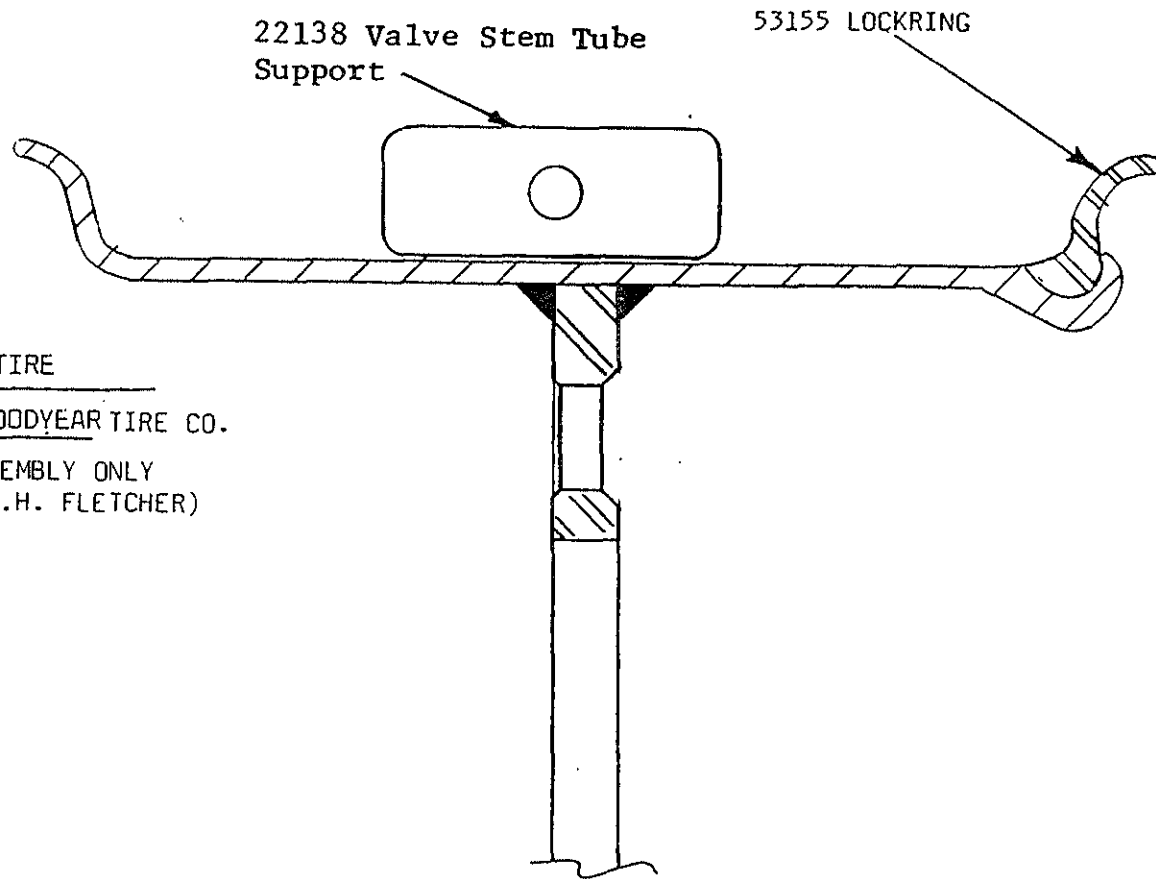
SHEET NO.

TITLE

DATE

R

J. H. FITCHER & CO.



22138 Valve Stem Tube
Support

53155 LOCKRING

36"-1450Lx15 TIRE

(SUPPLIED BY GOODYEAR TIRE CO.)

53028 WHEEL ASSEMBLY ONLY

(SUPPLIED BY J.H. FLETCHER)

SHEET NO.

MA-90

TITLE

53028 WHEEL ASSEMBLY

DATE

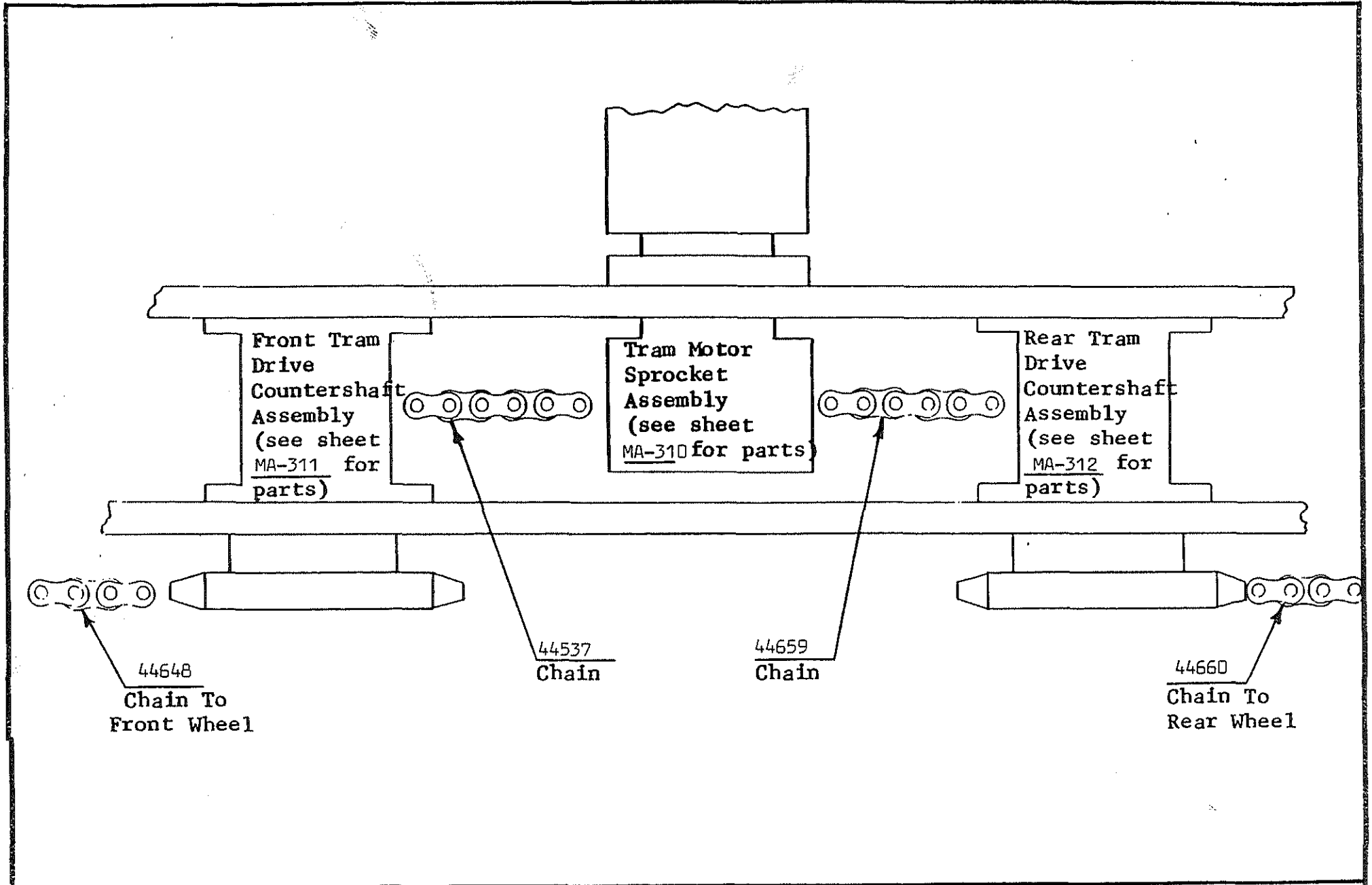
9-19-72

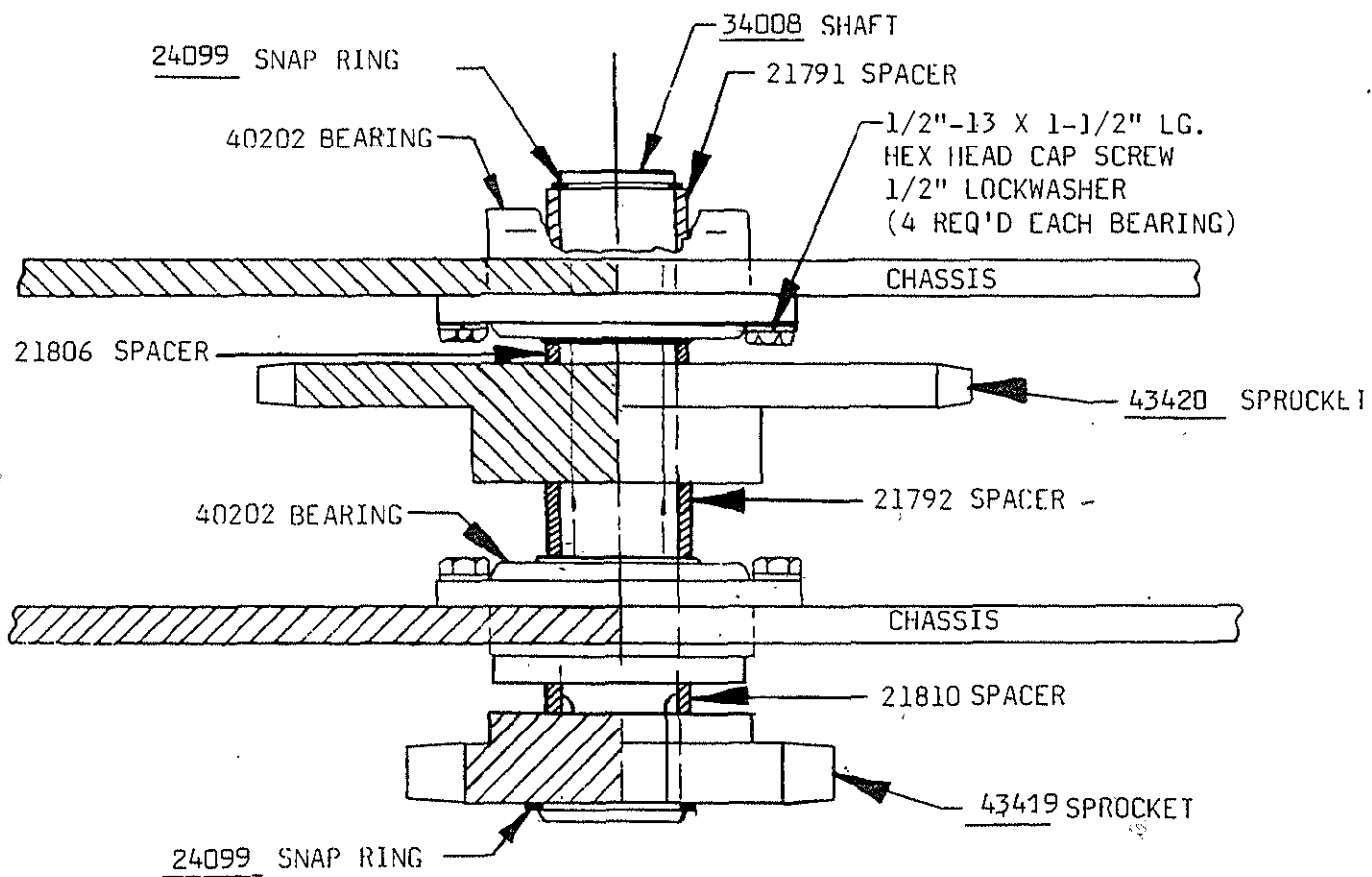
R

J. H. FLETCHER & CO.

707 WEST 7TH STREET

HUNTINGTON, W. VA.





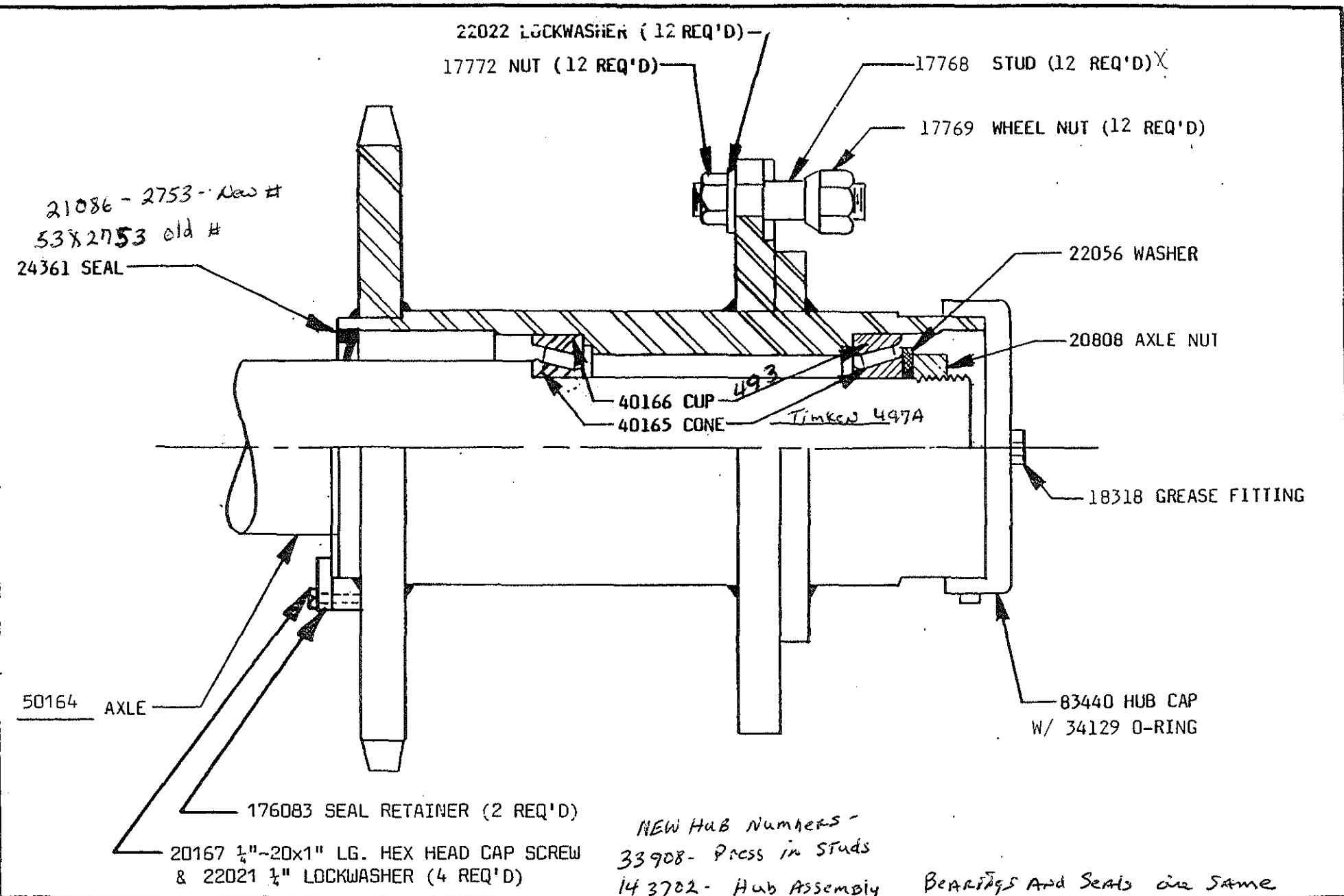
SHEET NO.

TITLE
 TRAM DRIVE Counter Shaft

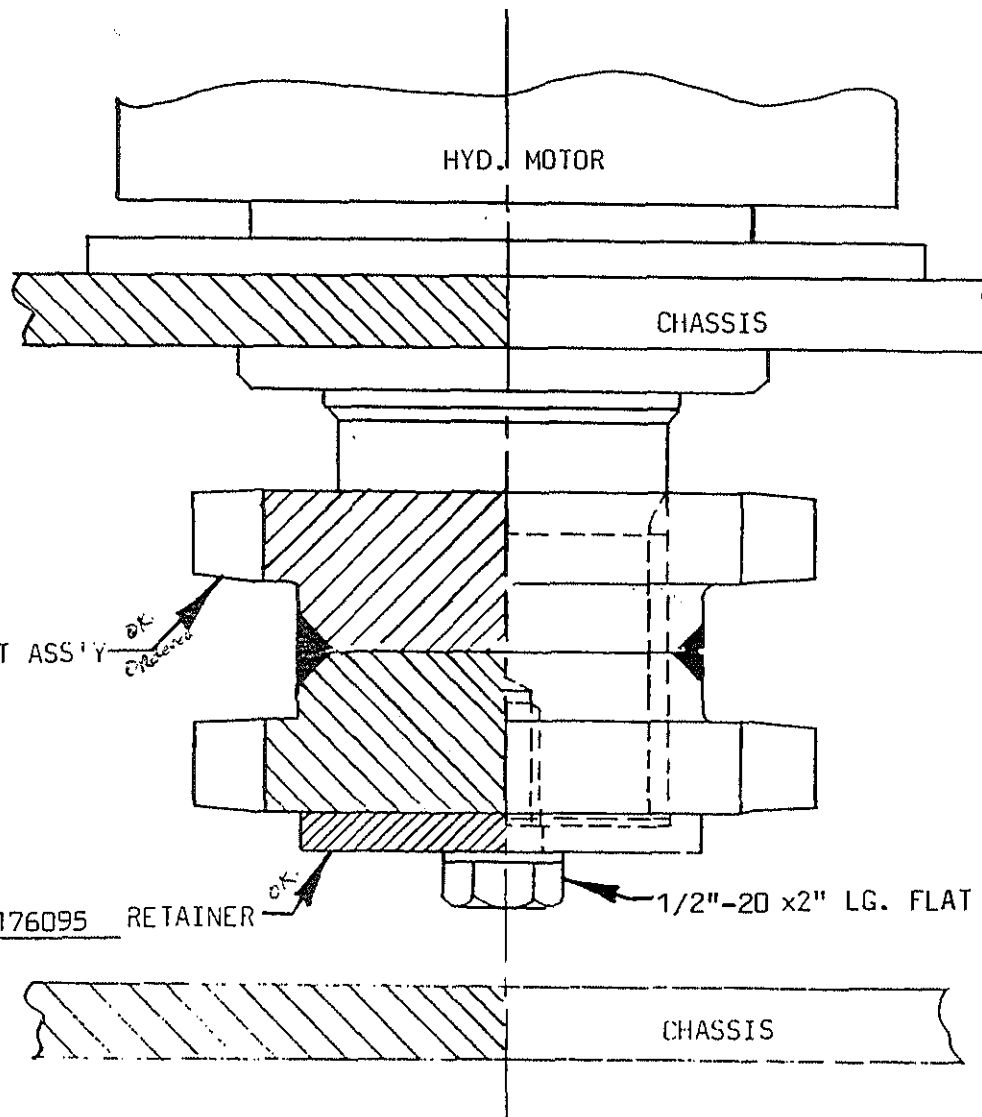
DATE

R

J. H. FORTY & CO.



SHEET NO.	TITLE	DATE	R J. H. FLETCHER & CO.
11700	173002 WHEEL HUB ASSEMBLY		



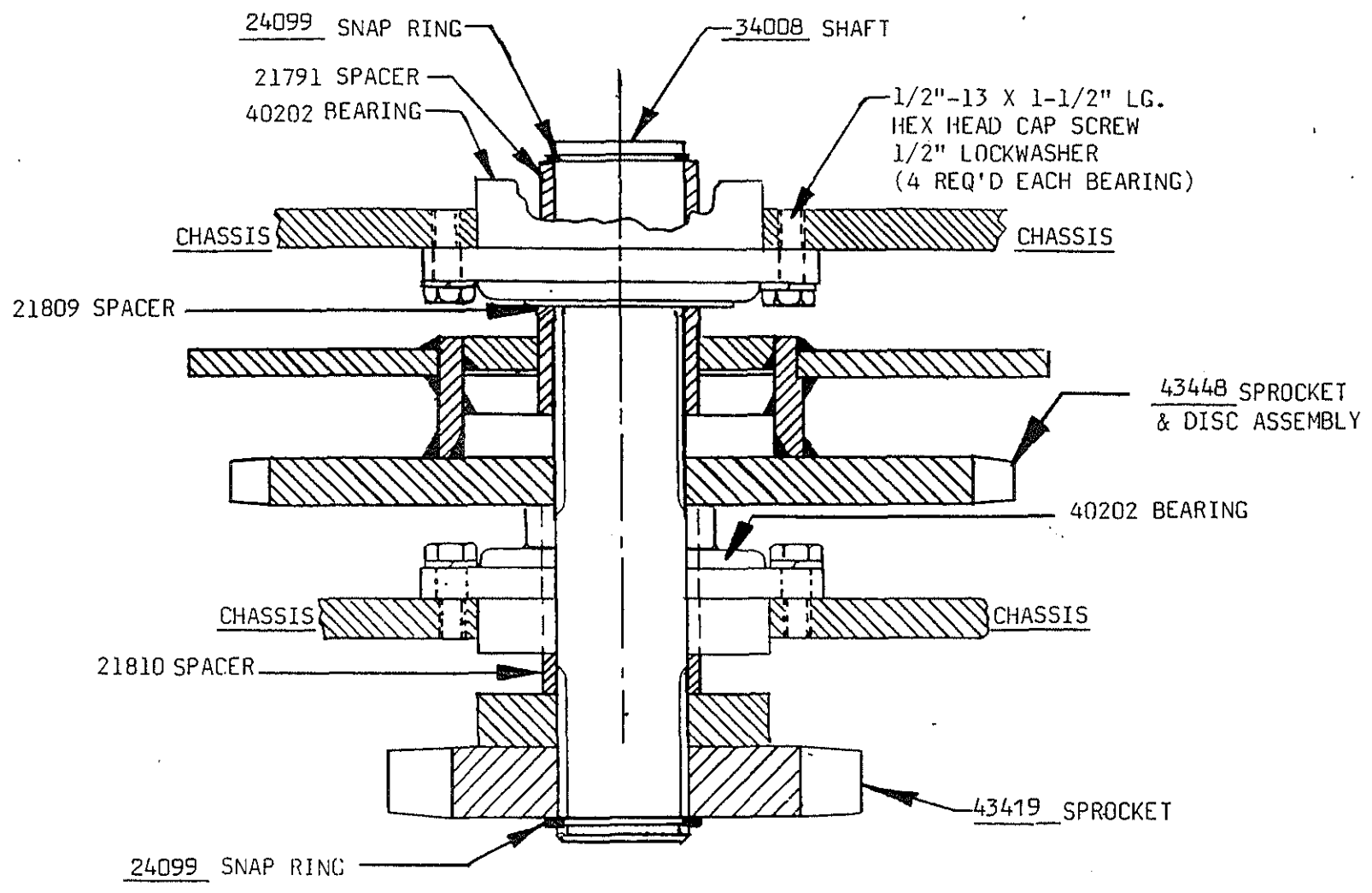
43438 SPRUCKET ASS'Y

OK
 OK Revised

176095 RETAINER

OK

1/2"-20 x2" LG. FLAT HEAD CAP SCREW



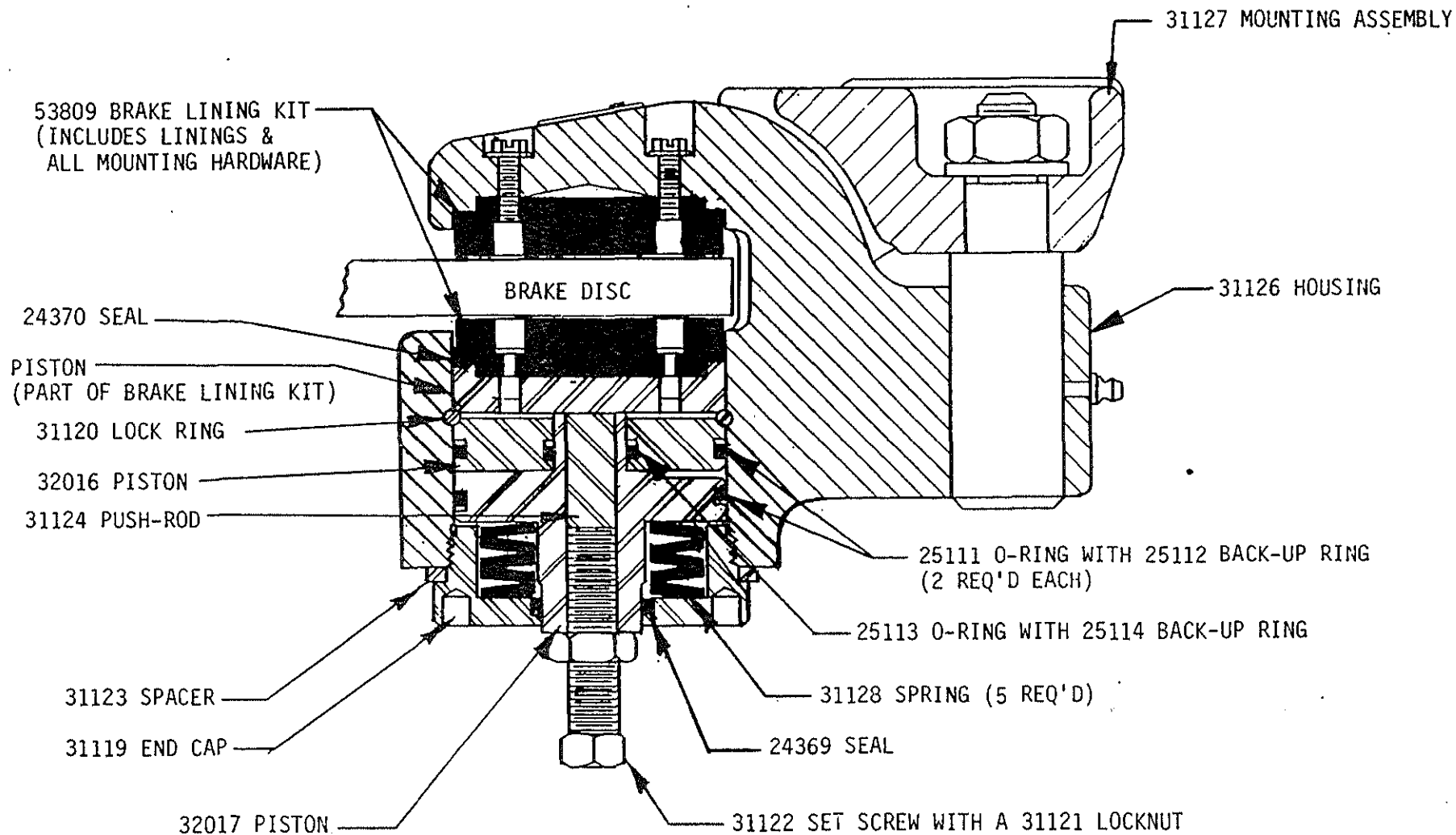
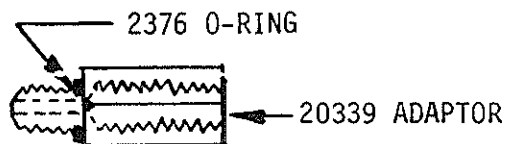
SHEET NO.

TITLE

DATE

R

J. H. FITCHER & CO.



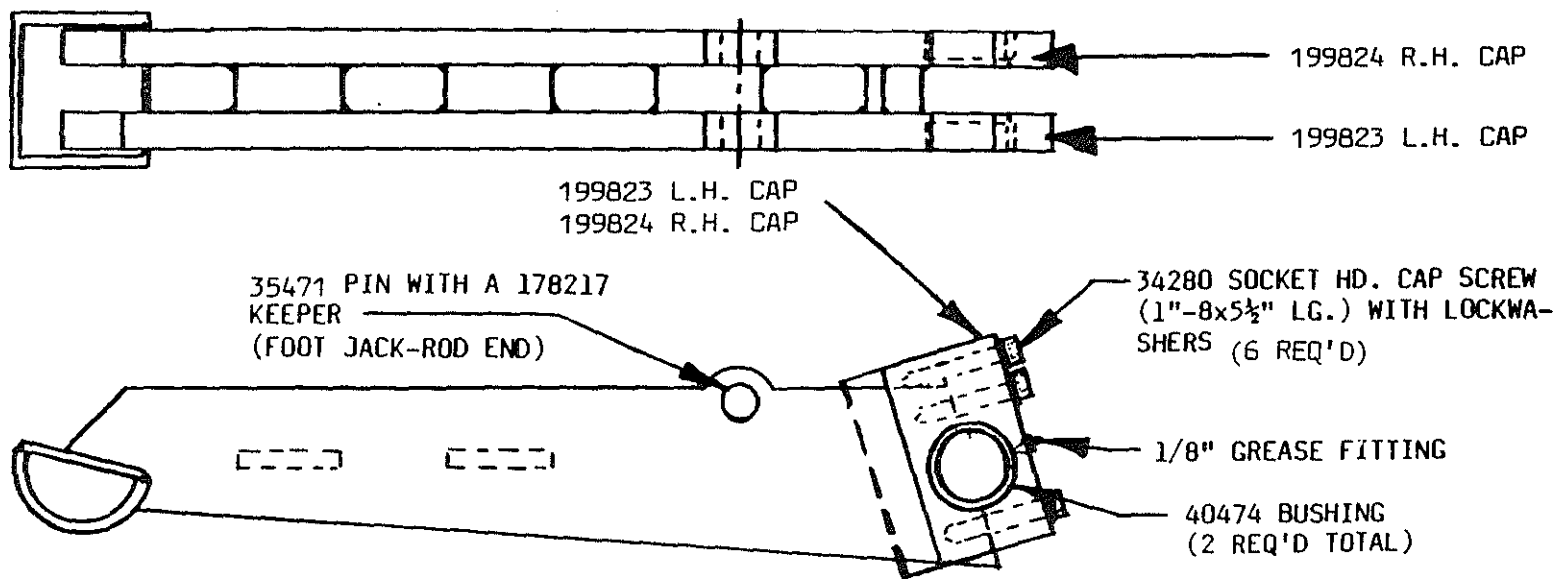
SHEET NO.

TITLE

DATE

R

J. W. FLETCHER & CO.



SHEET NO.

MY-585A

TITLE

189078 STAB FOOT ASSEMBLY

DATE

12/6/84

R

J. N. FLETCHER & CO.