

Valves

(continued)

INDEX FOR VALVE SYSTEM

<u>ITEM</u>	<u>DESCRIPTION</u>	<u>PART NO.</u>	<u>SHEET NO.</u>	<u>NO. REQ'D</u>
	HYDRAULIC CIRCUITS			
1	DIRECTIONAL CONTROL VALVE (CABLE REEL ON-OFF)	593 (AM-16)	HV-5	1
2	DIRECTIONAL CONTROL VALVE (PUMP CONTROL)	665 (AM-93)	HV-13	1
3	TRS RAISE & INTENSIFIER CHECK VALVE	2530 (BI-6)	HV-75	3
4	TRAM SYSTEM CHECK VALVE	2531 (BI-7)	HV-76	2
5	ADJUSTABLE FLOW CONTROL VALVE (SPOOLER OILER, DRILLGUIDE, MAST TILT, & TRAM CHAIN OILERS)	31468	HV-170	11
	FLOW CONTROL VALVE (BOOM & REAR LIFTS)	31508	HV-252	3
7	DISC BRAKE SHUTTLE VALVE	31530	HV-330	2
8	RELIEF & FLOW CONTROL VALVE (DRILL FEED)	31538	HV-337	2
9	DIRECTIONAL CONTROL VALVE (BOLT TIGHTENER)	31569	HV-360	2
10	PILOT CHECK VALVE CARTRIDGE	31577	HV-401	20
11	STAB JACK CAM OPERATED VALVE	31634	HV-475	2
12	TRS BEAM DIVERSION VALVE	31660	HV-583	1
13	TRAM SYSTEM MOTION CONTROL VALVE	31654	HV-589	2
15	DRILL CANOPY RELIEF VALVE	31658	HV-634	2
16	HOLDING VALVE CARTRIDGE	33608	HV-818	10
17	RELIEF & FLOW CONTROL VALVE (CABLE REEL SPEED)	33641	HV-915	1

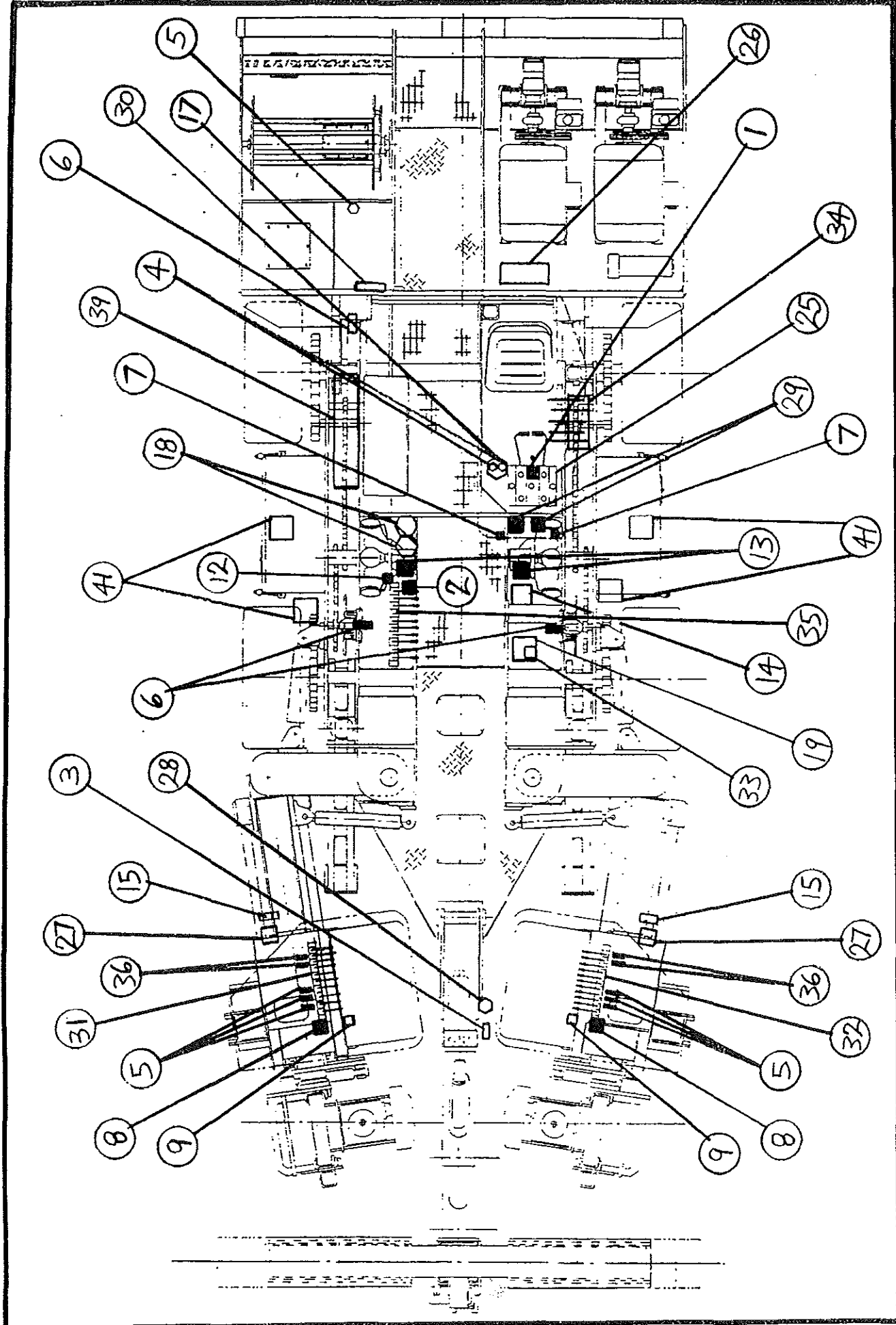
INDEX FOR VALVE SYSTEM

<u>ITEM</u>	<u>DESCRIPTION</u>	<u>PART NO.</u>	<u>SHEET NO.</u>	<u>NO. REQ'D</u>
18	PUMP CONTROL DUAL DIVERSION VALVE	47447	HV-1020	2
19	TRS RAISE CHECK & RELIEF VALVE	33787	HV-1044	1
20	SPRING RETURN SECTION	29363	HV-1112	27
21	CONTROL VALVE SECTION	29366	HV-1113	1
22	CONTROL VALVE SECTION	29390	HV-1115	6
23	CONTROL VALVE SECTION	29368	HV-1117	2
24	MID-SECTION SELECTOR VALVE	29365	HV-1120	1
25	TRAM CONTROL VALVE ASSEMBLY	147072	HV-1123	1
26	MAIN SAFETY MULTIPLE RELIEF VALVE	36763	HV-1141	1
27	VENTED TORQUE & RELIEF VALVE (BOLT TIGHTENER)	36751	HV-1148	2
28	TRS RAISE/FOOT DIVERSION VALVE	33784	HV-1195	1
29	PILOT OPERATED CHECK VALVE (TRAM SYSTEM)	36787	HV-1212	2
30	TRAM ENABLE FOOT PEDAL SPRING LOADED DUAL DIVERSION VALVE			1
31	R.H. BOOM CONTROL VALVE	147277	HV-1313	1
32	L.H. BOOM CONTROL VALVE	147278	HV-1314	1
33	TRS SEQUENCE VALVE	36851	HV-1351	1
34	CONTROL VALVE ASSEMBLY	147372	HV-1418	1
35	CONTROL VALVE ASSEMBLY	147384	HV-1438	1
36	FLOW CONTROL VALVE (BOOM SWING, & BOOM EXTEND)	36900	HV-1458	8
37	VALVE HANDLE ARRANGEMENT	41513	HY-40	34

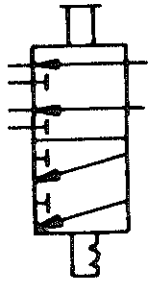
INDEX FOR VALVE SYSTEM

PAGE 6

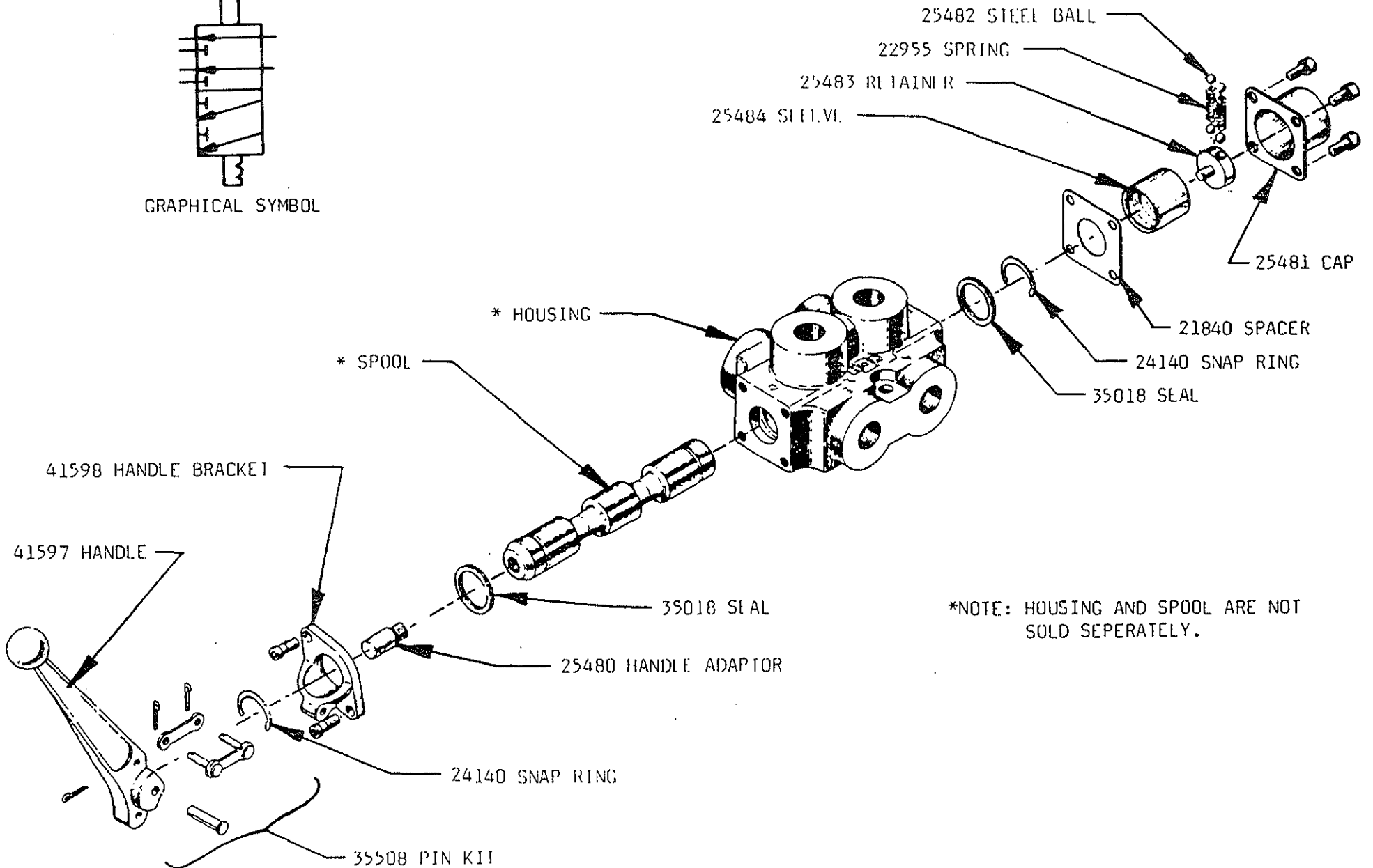
<u>ITEM</u>	<u>DESCRIPTION</u>	<u>PART NO.</u>	<u>SHEET NO.</u>	<u>NO. REQ'D</u>
38	VALVE HANDLE ARRANGEMENT	41556	HY-72	3
39	TRS RAISE HYDRAULIC ACCUMULATOR	45414	HY-130	1
40	TRAM MOTOR ADAPTER BLOCK		HY-190	2
41	TRAM FLOW INTENSIFIER VALVE	42172		



SHEET NO.	TITLE INDICATORS FOR VALVE SYSTEM	DATE	R	J. H. FLETCHER & CO. HUNTINGTON W. VA. 707 WEST 7TH STREET
-----------	--------------------------------------	------	---	---



GRAPHICAL SYMBOL



*NOTE: HOUSING AND SPOOL ARE NOT SOLD SEPERATELY.

2 REQ'D FOR THE TRAM INTENSIFIERS

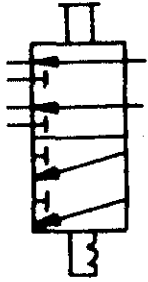
SHEET NO.

TITLE

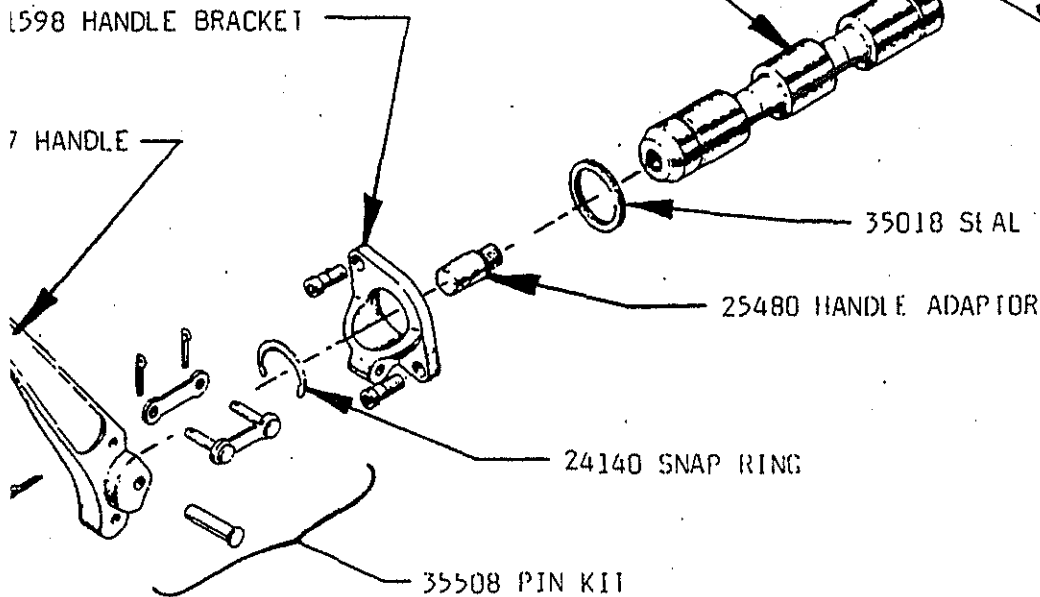
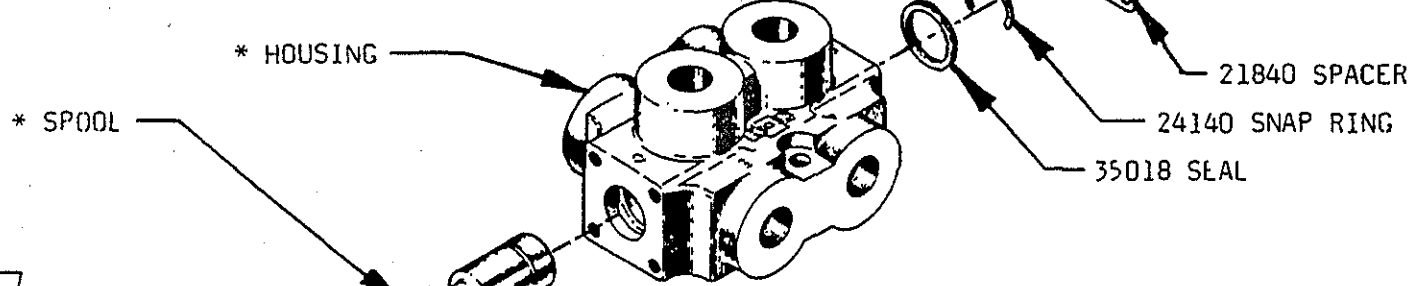
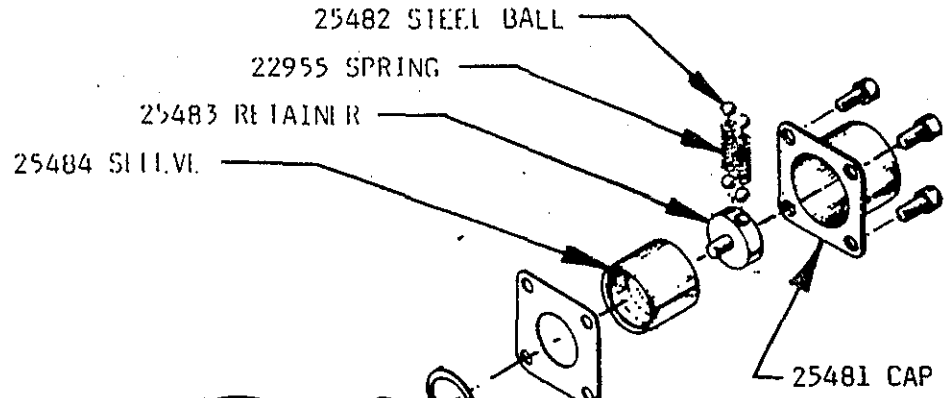
DATE

R

J. H. FLETCHER & CO.



GRAPHICAL SYMBOL

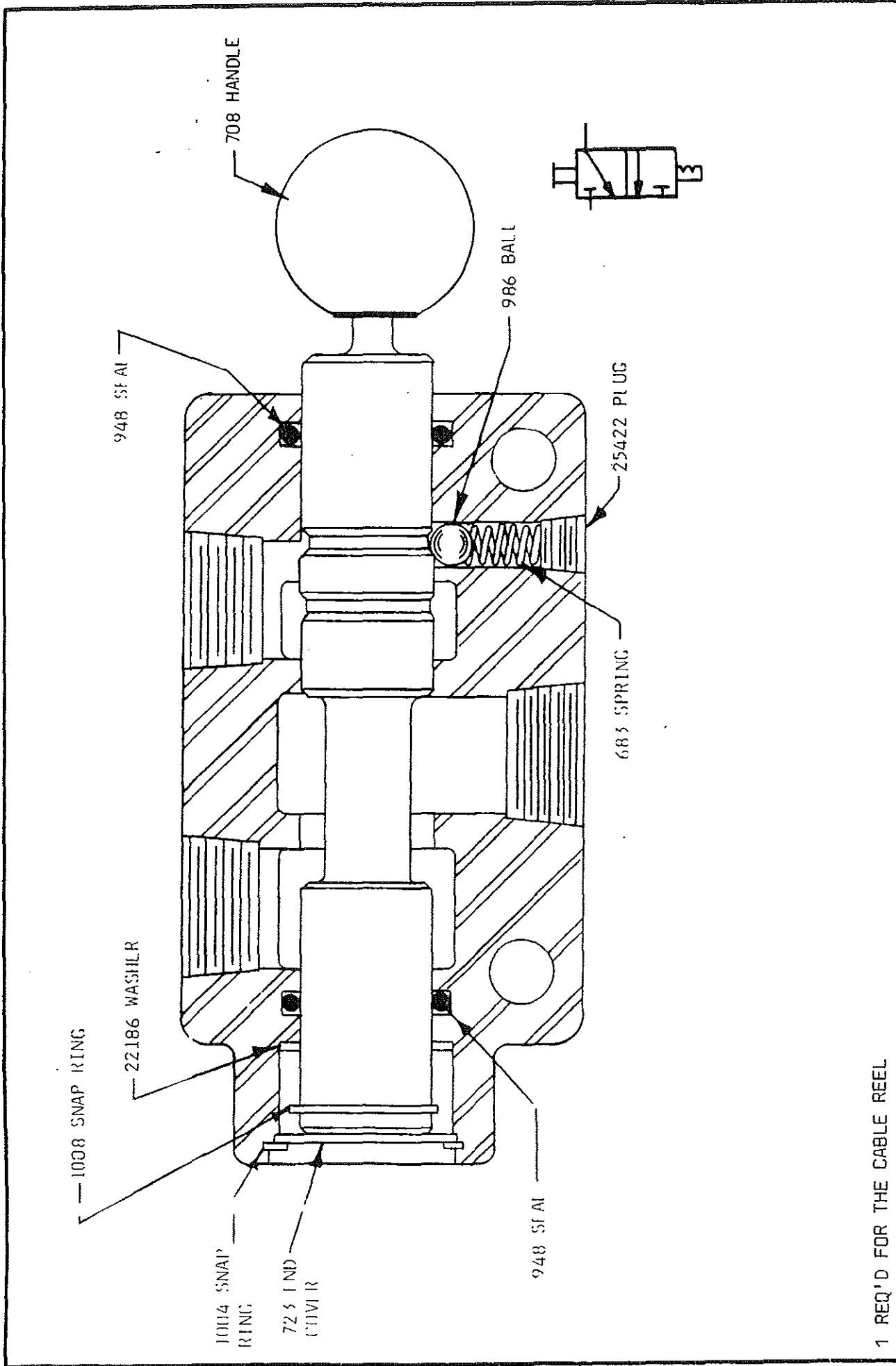


*NOTE: HOUSING AND SPOOL ARE NOT SOLD SEPERATELY.

ADD SPRING TO VALVE
AND FOOT PEDAL TO
END

1/D FOR THE TRAM INTENSIFIERS

DET NO.	TITLE	DATE	R J. H. FLETCHER & CO.
---------	-------	------	------------------------



1 REQ'D FOR THE CABLE REEL

SHEET NO.

IV-5

TITLE

593 DIRECTIONAL CONTROL VALVE

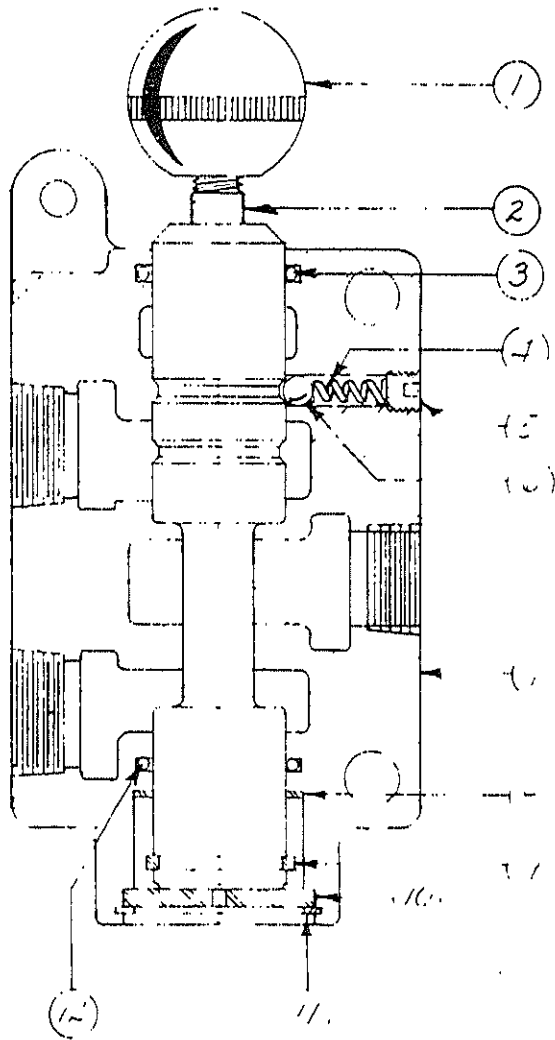
DATE

7/22/82

R

J. H. FLETCHER & CO.

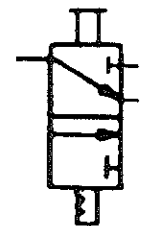
AM-93 DIVERSION VALVE



ITEM	PART NO.	NAME	NO. REQ'D.
1.	B1099-1-AM	HAND BALL LEVER	1
2.	AB1324-AM	VALVE SPOOL	1
3.	L3006-28-AM	"O" RING SEAL	2
4.	A1327-49-AM	SPRING	1
5.	X1-20-AM	SOCKET PIPE PLUG	1
6.	X53-9-AM	STEEL BALL	1
7.	S1118-AM	VALVE HOUSING	1
8.	A1376-10-AM	WASHER	1
9.	X104-2-AM	SNAP RING	1
10.	C2004-103-AM	END COVER	1
11.	X96-200-AM	SNAP RING	1
12.	L3006-28-AM	"O" RING SEAL	2

NOTICE!! WHEN ORDERING PARTS, GIVE THE PART NUMBER, NAME, AND APPLICATION

NOTE: ITEM 1 MAY BE REPLACED BY HANDLE AND LINKAGE IN SOME APPLICATIONS



1 REQ'D FOR THE PUMP CONTROL

SHEET NO.
HV-13

665 (AM-93)

TITLE
Directional Control Valve

DATE
5/28/62

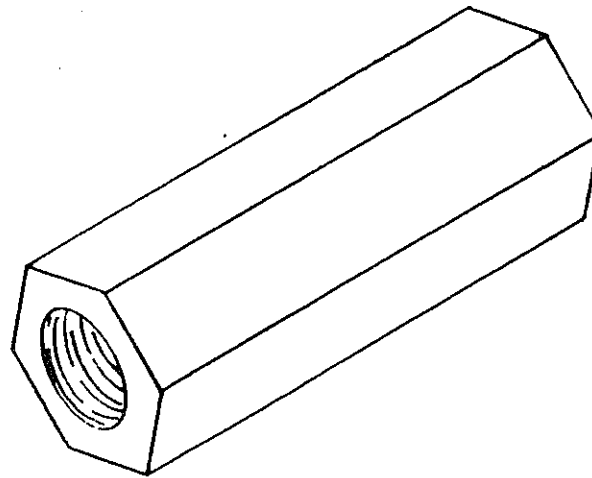
R

J. H. FLETCHER & CO.

NOTE:
NO PARTS RECOMMENDED FOR FIELD SERVICE.
REPLACE COMPLETE CHECK VALVE ASSEMBLY.



GRAPHICAL SYMBOL



3 REQ'D

1 REQ'D FOR THE TRS RAISE/FOOT CIRCUIT
2 REQ'D FOR THE TRAM INTENSIFIER CIRCUIT

SHEET NO.

11V-75

TITLE

2530 CHECK VALVE ASSEMBLY (BI-6)

DATE

9/30/82

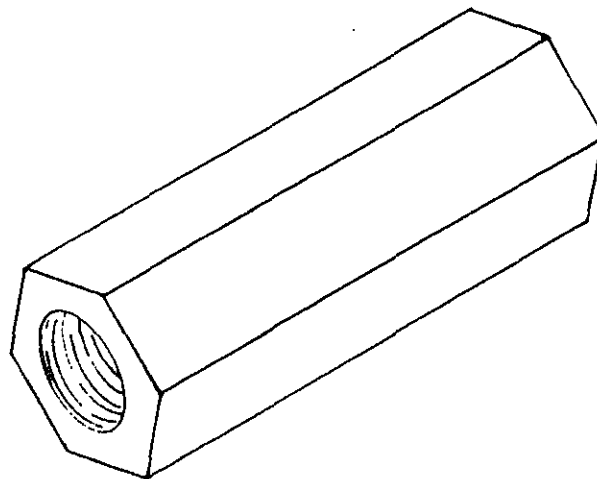
R

J. H. FLETCHER & CO.

NOTE:
NO PARTS RECOMMENDED FOR FIELD SERVICE.
REPLACE COMPLETE CHECK VALVE ASSEMBLY.



GRAPHICAL SYMBOL



2 REQ'D FOR THE TRAM SYSTEM

SHEET NO.

HV-76

TITLE

2531 CHECK VALVE ASSEMBLY (BI-7)

DATE

9/30/82

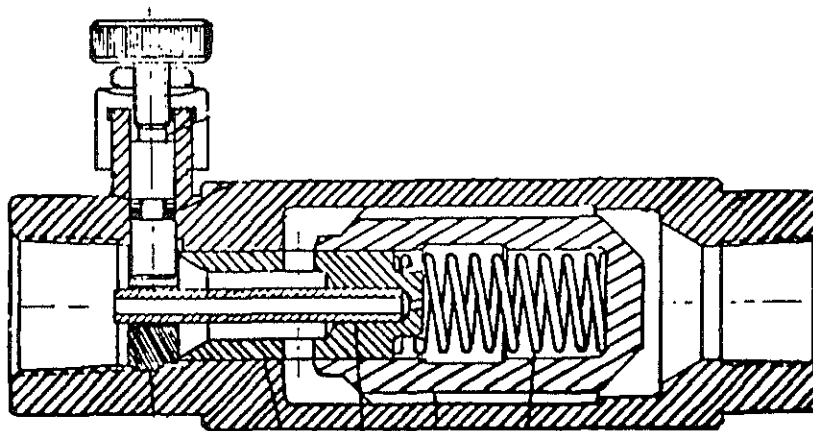
R

J. H. FLETCHER & CO.

1/4" PIPE



→
COMP. FLOW



NOTE: NO PARTS ARE RECOMMENDED FOR FIELD SERVICE.
REPLACE COMPLETE VALVE.

11 REQ'D

- 1 REQ'D FOR THE SPOOLER OILER
- 2 REQ'D, 1 FOR EACH DRILLGUIDE
- 4 REQ'D, 2 FOR EACH MAST TILT
- 4 REQ'D, 1 FOR EACH TRAM CHAIN OILER

SHEET NO.

HV-170

TITLE

31468 ADJUSTABLE FLOW CONTROL VALVE

DATE

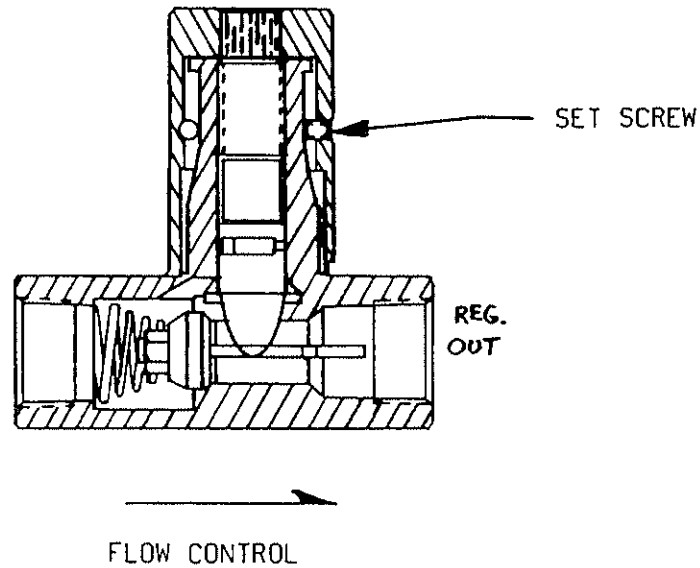
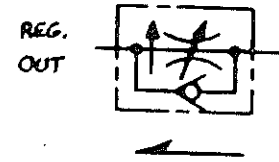
10/18/65

R

J. H. FLETCHER & CO.

707 WEST 7TH STREET

HUNTINGTON, W. VA.



NOTE:
NO PARTS ARE RECOMMENDED FOR FIELD
SERVICE. REPLACE COMPLETE VALVE.

- 3 REQ'D
- 1 REQ'D FOR THE REAR LFIT
- 2 REQ'D, 1 FOR EACH BOOM LIFT

SHEET NO.

TITLE

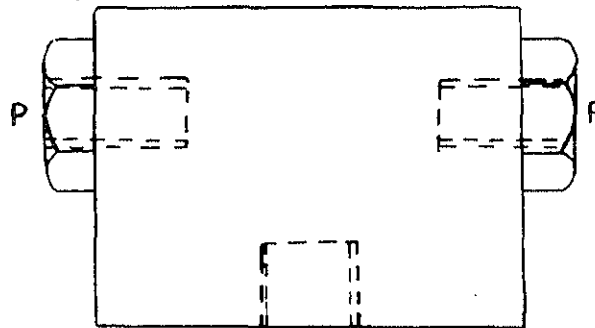
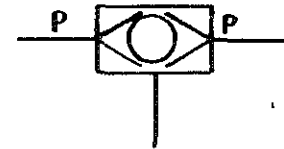
31508 Flow Control

DATE

4/7/80

R

J. H. FLETCHER & CO.



NOTE: NO PARTS ARE RECOMMENDED FOR FIELD SERVICE. REPLACE COMPLETE VALVE.

2 REQ'D FOR DISC BRAKES

SHEET NO.

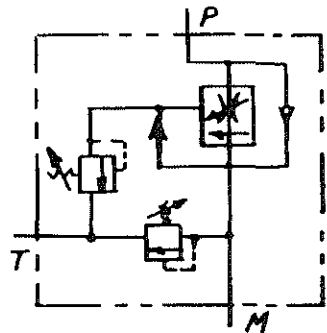
31530
21520

TITLE
Shuttle Valve
SHUTTLE VALVE

DATE

R

J. H. FLETCHER & CO.



GRAPHICAL SYMBOL

25455 ADJUSTMENT ASSEMBLY

25440 KNOB KIT

23455 RELIEF CARTRIDGE

23435 CHECK PARTS GROUP

25454 FLOW REGULATOR ASSEMBLY

2 REQ'D, 1 FOR EACH DRILL FEED

SHEET NO.

11V-557

TITLE

51558 RELIEF & FLOW CONTROL VALVE PACKAGE

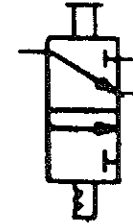
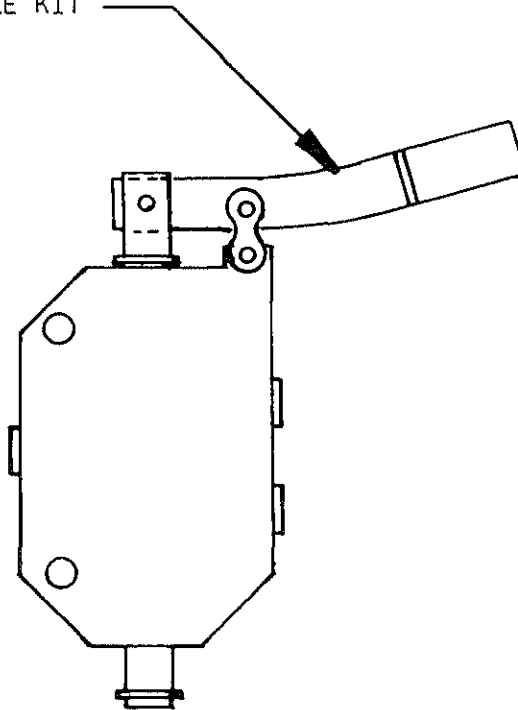
DATE

2/8/85

R

J. H. FLETCHER & CO.

36823 HANDLE KIT



NOTE: NO PARTS ARE RECOMMENDED FOR SERVICE. THE COMPLETE VALVE MUST BE REPLACED.

2 REQ'D, 1 FOR EACH BOLT TIGHTENER

SHEET NO.

HV 360

TITLE

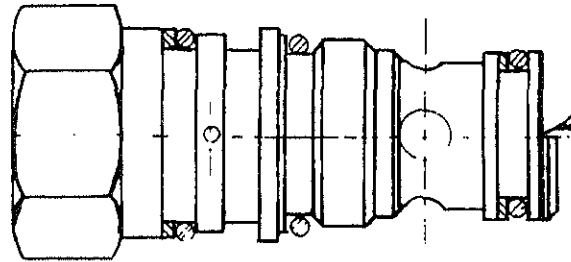
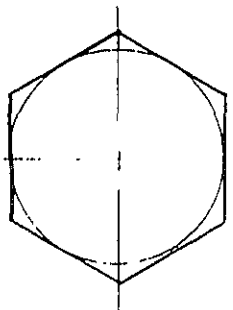
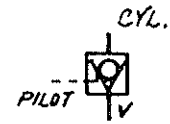
31569 DIRECTION CONTROL VALVE

DATE

10 10 70

R

J. W. FLETCHER & CO.



LOCK PORT AREA

20 REQ'D

35387 O-RING & BACK-UP KIT

- 1 REQ'D FOR THE TRS BEAM LIFT CYLINDER
- 1 REQ'D FOR THE TRS RAISE CYLINDER
- 2 REQ'D FOR THE TRS FOOT CYLINDER
- 2 REQ'D, 1 FOR EACH TRS BEAM EXTEND CYLINDER
- 2 REQ'D, 1 FOR EACH BOOM LIFT CYLINDER
- 2 REQ'D, 1 FOR EACH REAR LIFT CYLINDER
- 2 REQ'D, 1 FOR EACH DROP MAST CYLINDER
- 2 REQ'D, 1 FOR EACH DRILL CANOPY CYLINDER
- 2 REQ'D, 1 FOR EACH STAB JACK CYLINDER
- 4 REQ'D, 2 FOR EACH MAST TILT CYLINDER

SHEET NO.

HV-401

TITLE

31577 PILOT CHECK VALVE CARTRIDGE

DATE

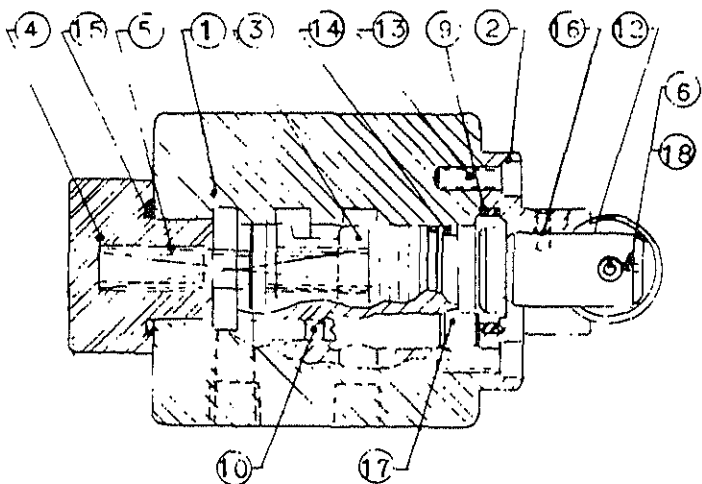
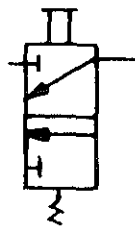
6-5-74

R

J. H. FLETCHER & CO.

707 WEST 7TH STREET

HUNTINGTON, W. VA.



ITEM	PART NO.	DESCRIPTION	NO. REQ'D
1.	50927	BODY "165"	1
2.	23429	CAP	1
3.	31132	SPOOL	1
4.	31102	SPRING RETAINER	1
5.	22855	SPRING	1
6.	23430	CAM ROLLER STEM	1
9.	23431	RING	1
10.	23432	PLUG	1
12.	45807	CAM ROLLER	1
13.	24850	CAP SCREW	1
14.	25091	"O" RING	1
15.	25092	"O" RING	1
16.	33216	SPRING PIN	1
17.	32638	COUNTER SUNK PLUG	1
18.	25851	SET SCREW	1

2 REQ'D FOR THE TRS STAB JACK SEQUENCING

SHEET NO.

AV-475

TITLE

31634

31634 CAM OPERATED VALVE

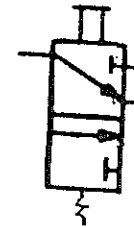
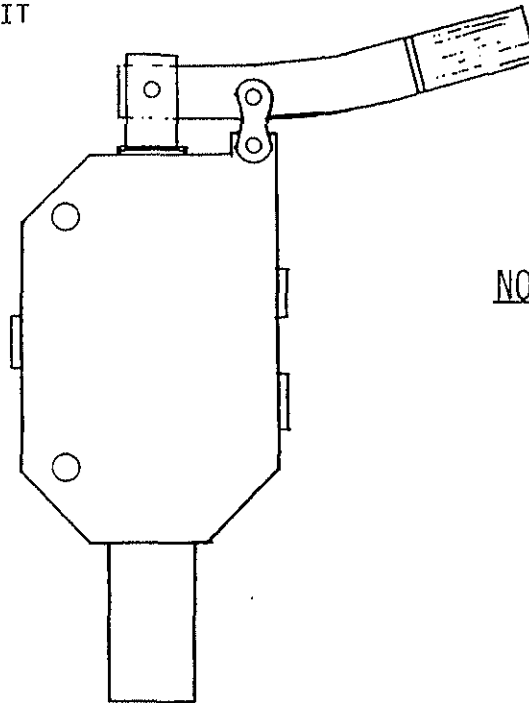
DATE

12-11-75

R

J. H. FLETCHER & CO.

36823 HANDLE KIT



NOTE: NO INDIVIDUAL PARTS ARE
RECOMMENDED FOR FIELD
SERVICE. REPLACE COMPLETE
VALVE.

1 REQ'D FOR THE TRS BEAM ARTICULATING CYLINDER

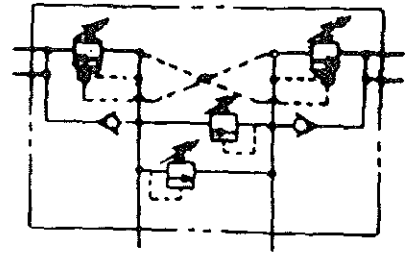
SHEET NO.
HV-583

TITLE
31660 TRS Beam Diversion Valve

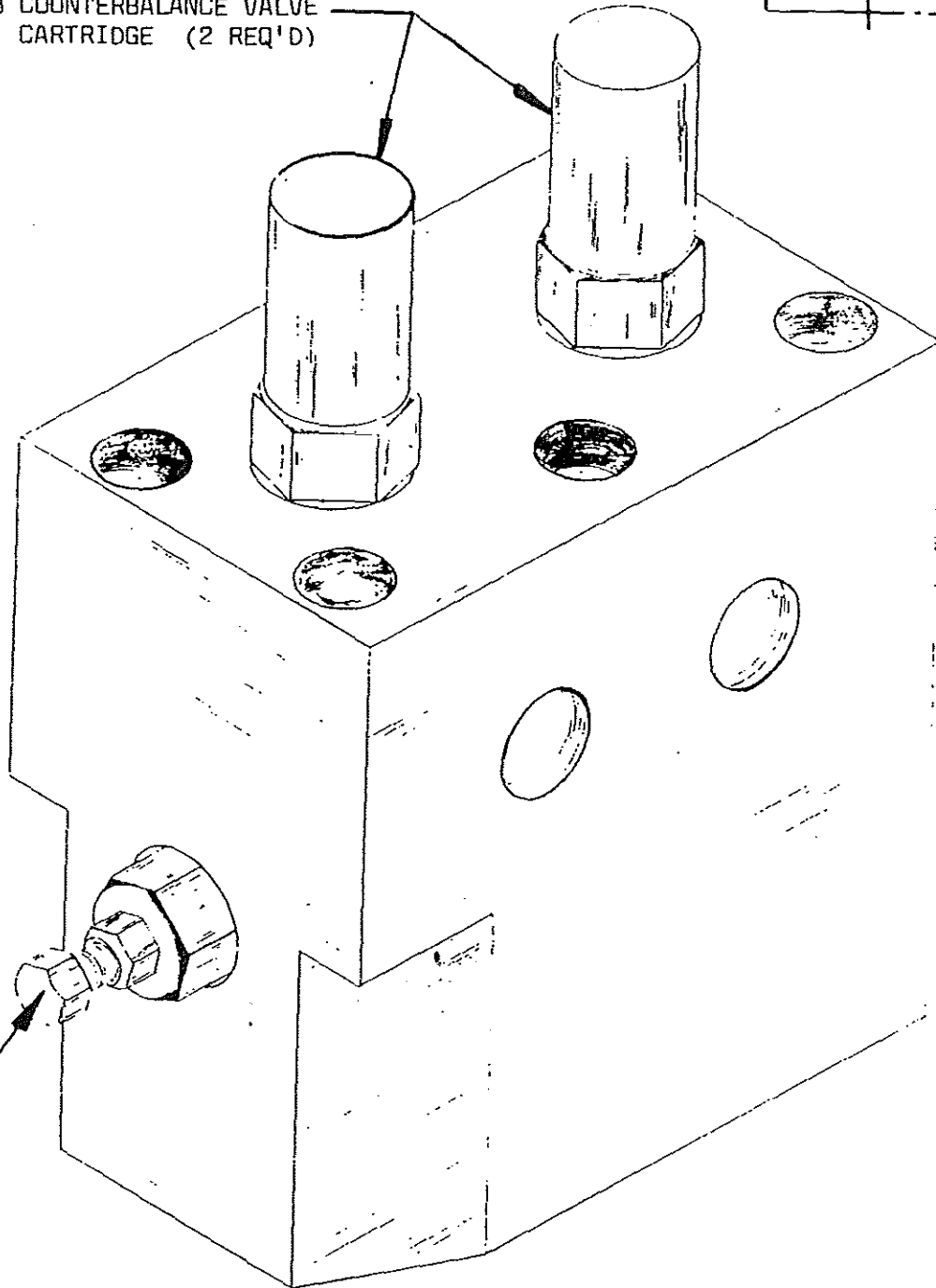
DATE

R

J. H. FLETCHER & CO.



33608 COUNTERBALANCE VALVE
CARTRIDGE (2 REQ'D)



33728 RELIEF VALVE CARTRIDGE (2 REQ'D)

2 REQ'D FOR THE TRAM SYSTEM

TITLE

31654 MOTION CONTROL VALVE ASSEMBLY

J. H. FLETCHER & CO.

107 WEST 7TH STREET

HUNTINGTON W. VA.

SHEET NO.

SHEET NO.
HV-603

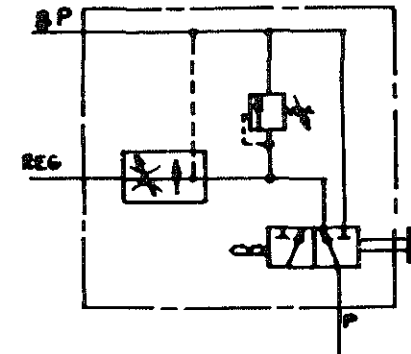
TITLE
31662 HYDRAULIC POWER TAKE-OFF PACKAGE
(H.P.T.O.)

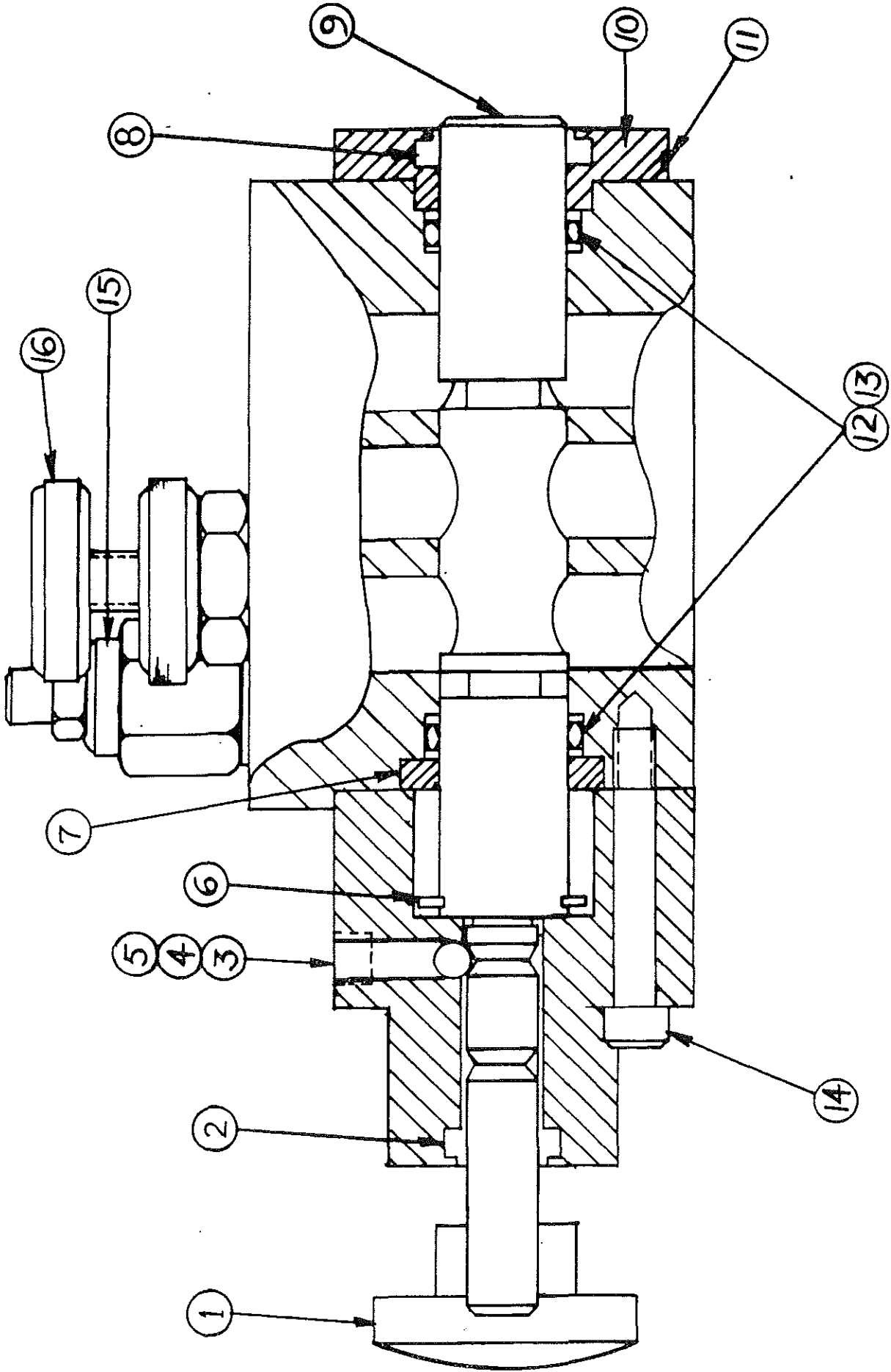
DATE
12/6/77

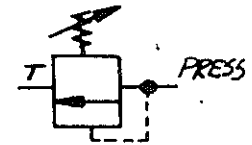
R

J. H. FLETCHER & CO.
707 WEST 7TH STREET HUNTINGTON, W. VA.

<u>ITEM</u>	<u>DESCRIPTION</u>	<u>PART NO.</u>	<u>NO. REQ'D</u>
1.	TORQUE KNOB	31663	1
2.	WIPER	22396	1
3.	BALL	25334	1
4.	SPRING	22889	1
5.	PIPE PLUG	32762	1
6.	SNAP RING	24074	1
7.	SEAL RETAINER	25335	1
8.	WIPER	22397	1
9.	SPOOL	30965	1
10.	SOCKET HEAD CAP SCREW	24916	4
11.	SEAL PLATE	32046	1
12.	"O" RING	25181	2
13.	BACK-UP	22398	4
14.	SOCKET HEAD CAP SCREW	24917	4
15.	RELIEF VALVE CARTRIDGE	31664	1
16.	FLOW REGULATION ADJUSTMENT ASSEMBLY	31665	1

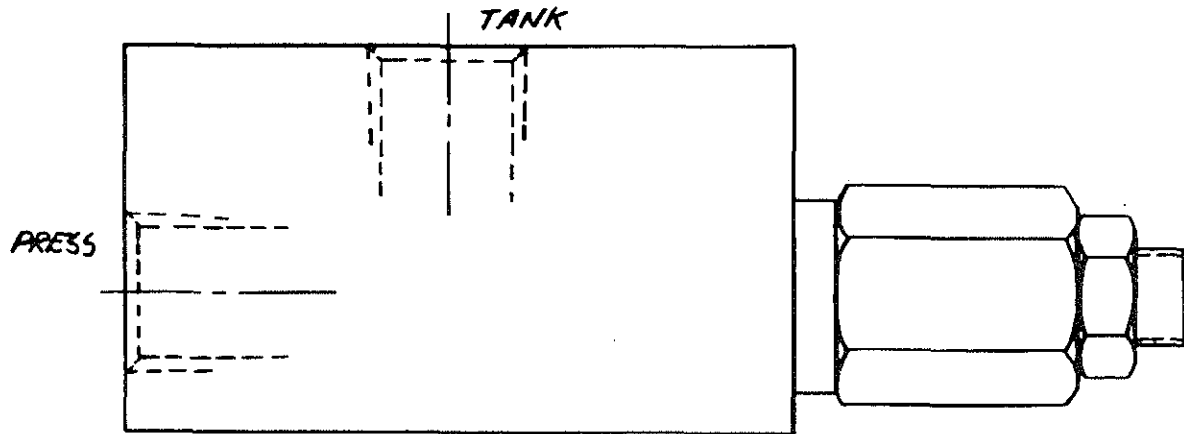






NOTE:

NO PARTS ARE RECCOMENDED FOR FIELD SERVICE,
REPLACE COMPLETE VALVE.



2 REQ'D, 1 FOR EACH DRILL CANOPY

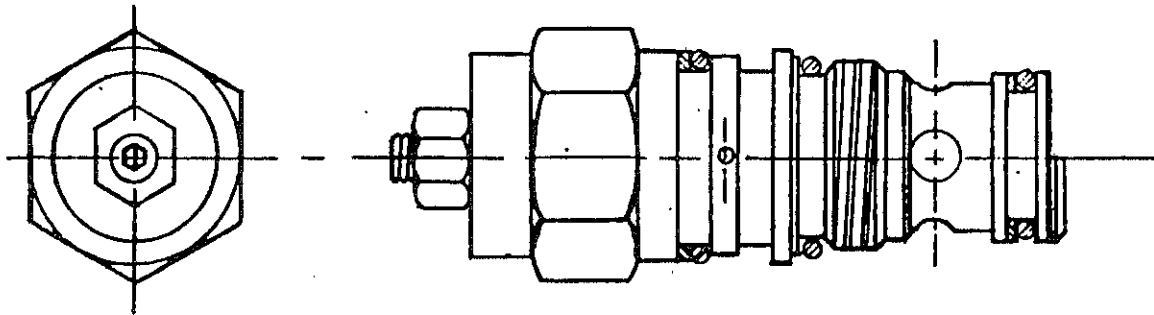
SHEET NO.
HV-634

TITLE
31658 - DRILL CANOPY Relief Valve

DATE

R

J. M. FIFTHYER & CO.



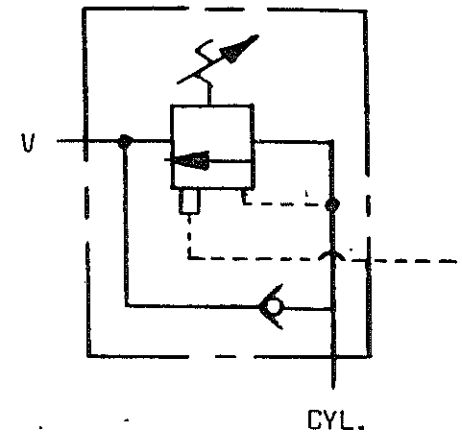
35387 O-RING & BACK-UP KIT

10 REQ'D

2 REQ'D, 1 FOR EACH DROPMAST TILT CYLINDER

4 REQ'D, 2 FOR EACH BOOM EXTEND CYLINDER

4 REQ'D, 2 FOR EACH BOOM SWING CYLINDER



SHEET NO.

HV-818

TITLE

33608 HOLDING VALVE CARTRIDGE

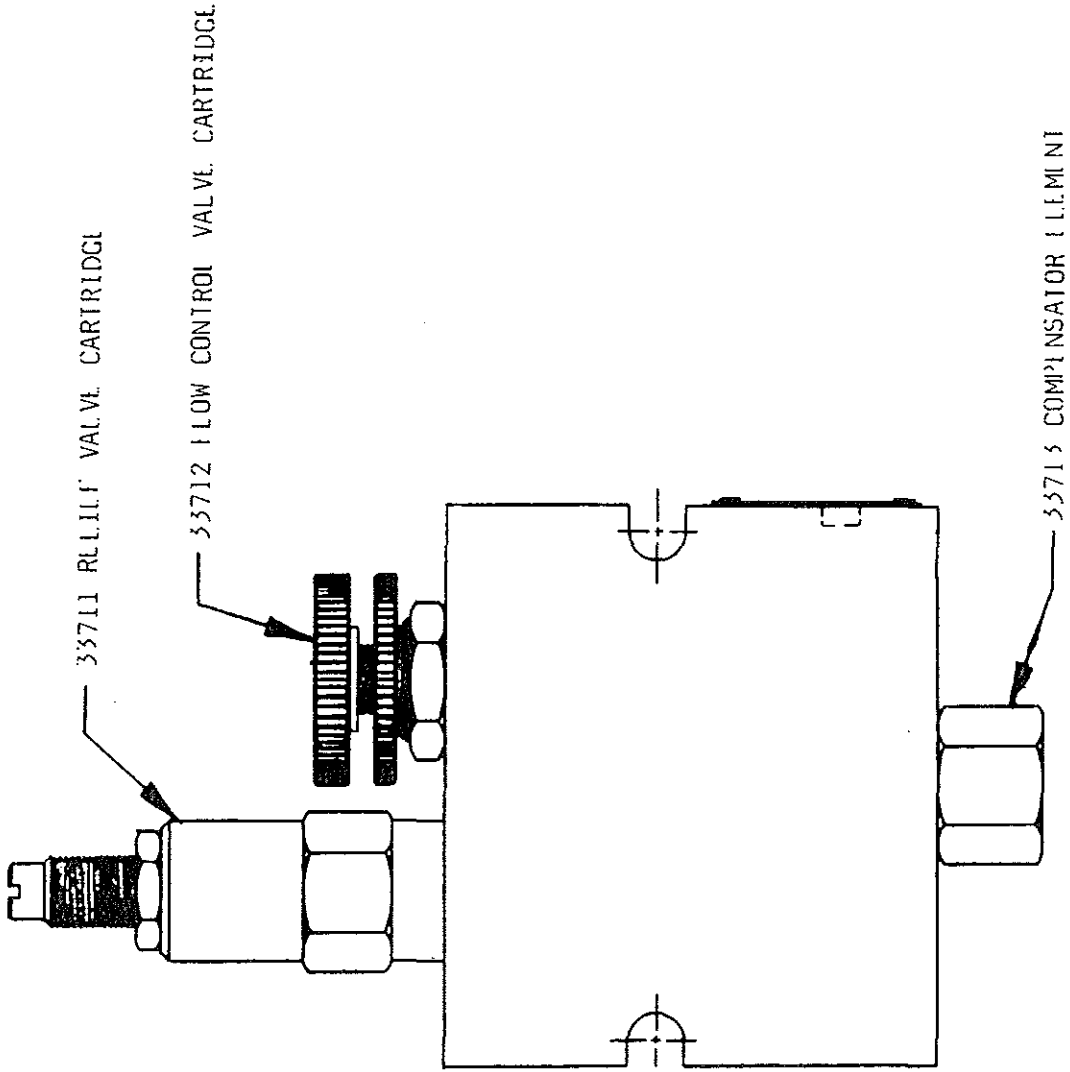
DATE

R

J. H. FLETCHER & CO.

787 WEST 7TH STREET

HUNTINGTON, W. VA.



1 REQ'D FOR CABLE REEL

SHEET NO.

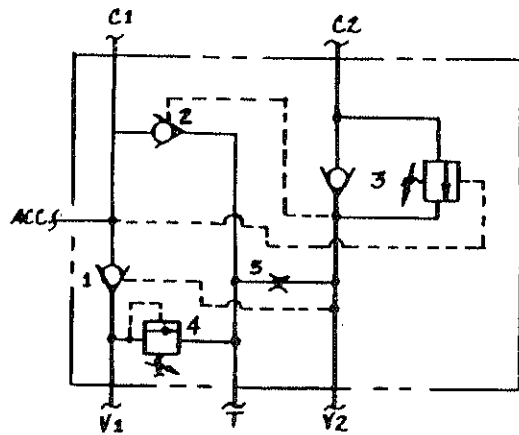
33641 - Relief + Flow Control

CABLE Speed (Reel)

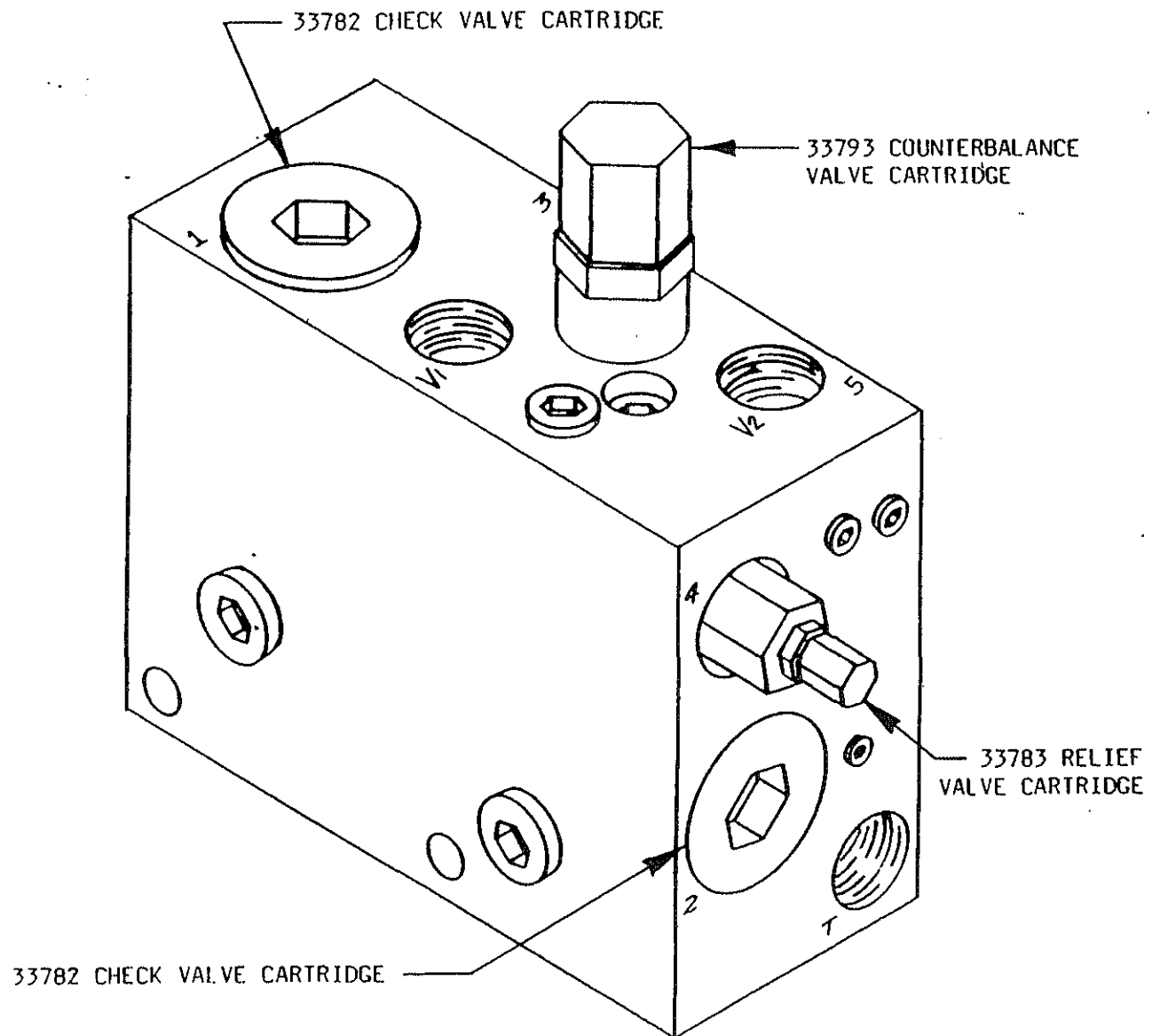
DATE

R

J. M. PETERSON & CO.



GRAPHICAL SYMBOL



1 REQ'D FOR THE TRS RAISE

SHEET NO.

HV-1044

TITLE

33787 CHECK & RELIEF VALVE PACKAGE

DATE

3/5/85

R

J. N. FLETCHER & CO.
 707 WEST 7TH STREET
 HUNTINGTON W VA

SHEET NO.

HV-1112

TITLE

29363 SPRING RETURN SECTION

DATE

6-16-86

R

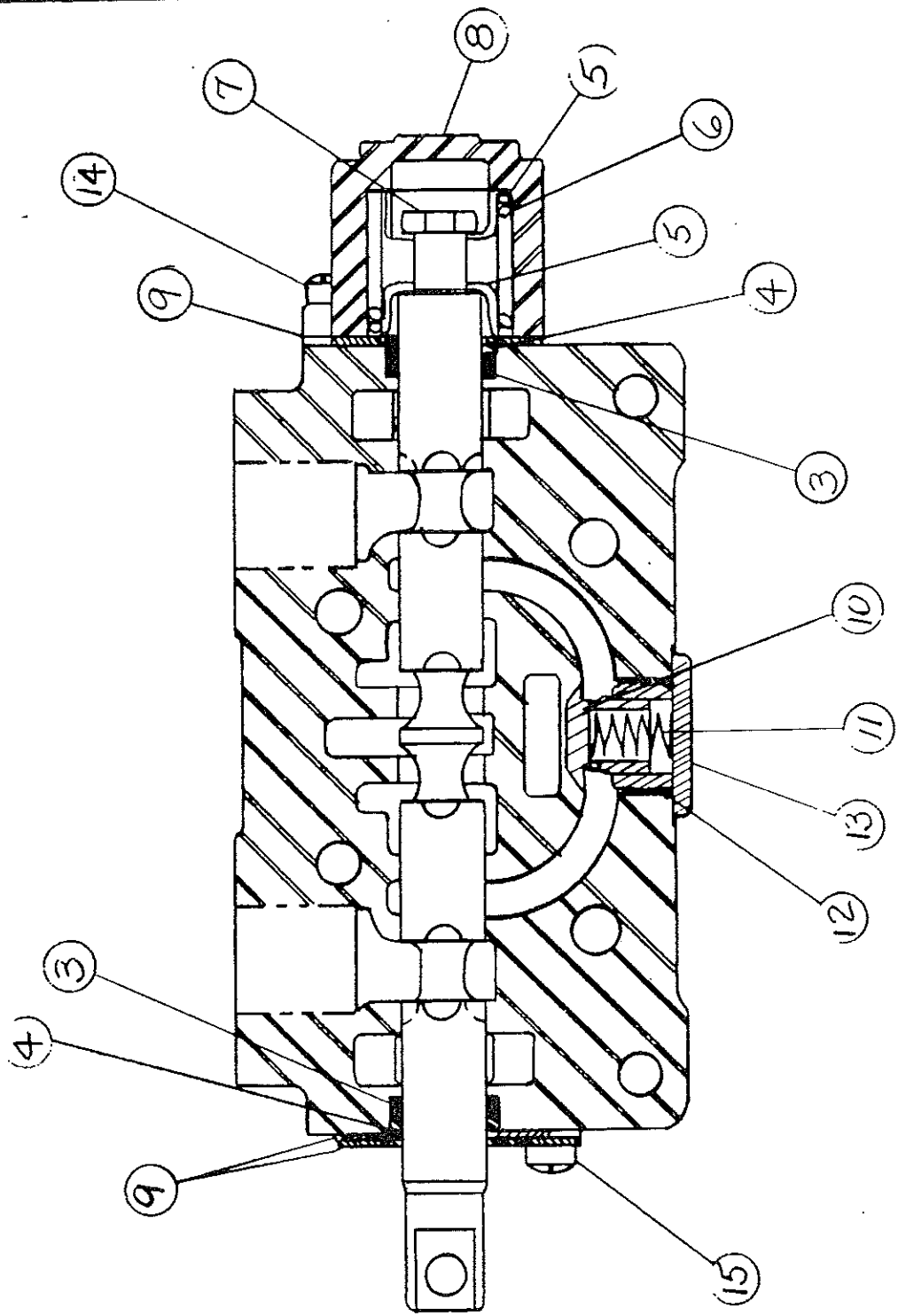
J. H. FLETCHER & CO.

707 WEST 7TH STREET

HUNTINGTON, W. VA

<u>ITEM</u>	<u>PART NO.</u>	<u>DESCRIPTION</u>	<u>NO. REQ'D</u>
3	24405	QUAD SEAL	2
4	35074	BACK-UP RING (TFE)	2
5	23003	GUIDE SPRING	2
6	22979	RETURN SPRING	1
7	20003	STRIPPER BOLT	1
8	23479	VALVE CAP	1
9	23002	RETAINING PLATE	3
10	25532	POPPET CHECK	1
11	22978	CHECK SPRING	1
12	21254	O-RING CHECK	1
13	25531	CHECK CAP	1
14	24921	FILISTER Hd SCREW (3/4" Lg.)	2
15	130043	FILISTER Hd SCREW (1/2" Lg.)	2
16	21257	SECTION SEAL (SQ.)	1
17	25212	SECTION SEAL (SQ.)	3

Items not shown on drawing are used in the assembly of the control valve (#16 & 17)



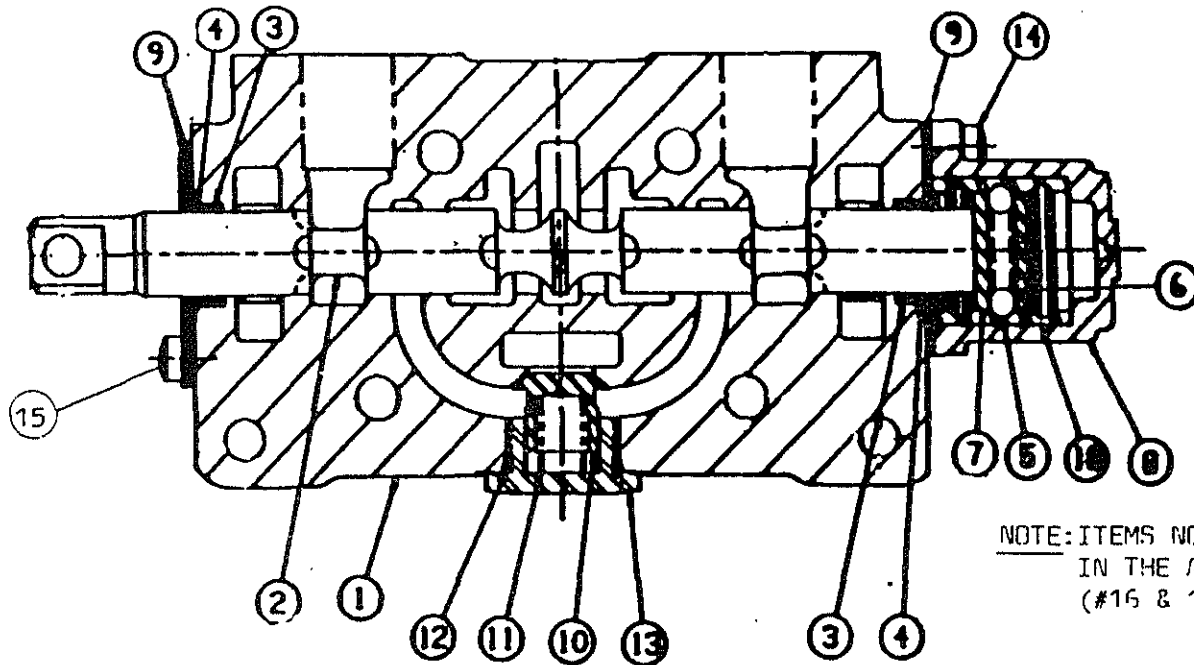
SHEET NO.

TITLE

DATE

R

J. H. FLETCHER & CO.



NOTE: ITEMS NOT SHOWN ON DRAWING ARE USED
IN THE ASSEMBLY OF THE VALVE
(#16 & 17)

ITEM	PART NO.	DESCRIPTION	NO. REQ'D
3	24405	QUAD SEAL	2
4	35074	BACK-UP RING (TFE)	2
5	23481	BALL	2
6	22915	DETENT SPRING	1
7	23056	DETENT RETAINER	1
8	23479	VALVE CAP	1
9	23002	RETAINING PLATE	3
10	25532	POPPET CHECK	1
11	22978	SPRING CHECK	1
12	35075	O-RING, CHECK	1
13	25531	CHECK CAP	1
14	24921	FILISTER Hd. SCREW (3/4" Lg)	2
15	130043	FILISTER Hd. SCREW (1/2" Lg)	2
16	21257	SECTION SEAL (SQ)	1
17	25212	SECTION SEAL (SQ)	3
18	23054	DETENT SLEEVE	1

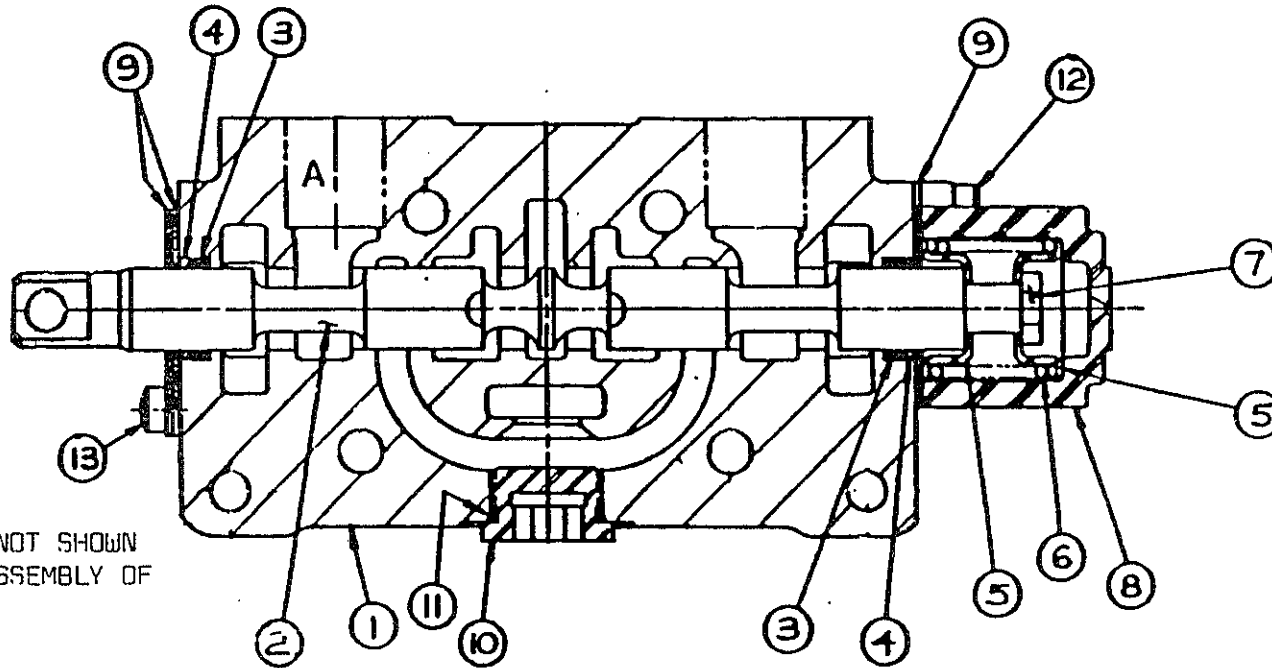
SHEET NO.

TITLE

DATE

R

J. H. FLETCHER & CO.



NOTE: ITEMS (#14 & 15) NOT SHOWN
ARE USED IN THE ASSEMBLY OF
THE VALVE.

<u>ITEM</u>	<u>PART NO.</u>	<u>DESCRIPTION</u>	<u>QTY. REQ'D</u>
3	24405	QUAD SEAL	2
4	35074	BACK-UP RING	2
5	23003	SPRING GUIDE	2
6	22979	RETURN SPRING	1
7	20003	STRIPPER BOLT	1
8	23479	VALVE CAP	1
9	23002	RETAINING PLATE	3
10 & 11	35368	O-RING & SOCKET HEX PLUG	1
12	24921	FILISTER Hd. SCREW (3/4" Lg)	2
13	130043	FILISTER Hd. SCREW (1/2" Lg.)	2
14	21257	SECTION SEAL (SQ.)	1
15	25212	SECTION SEAL (SQ.)	3

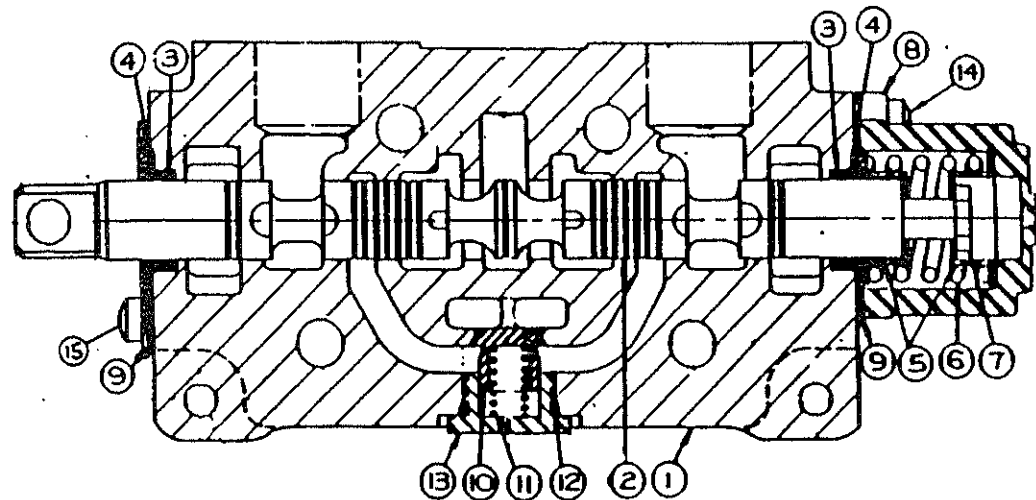
SHEET NO.

TITLE

DATE

R

J. H. FLETCHER & CO.



<u>ITEM</u>	<u>DESCRIPTION</u>	<u>PART NO.</u>	<u>NO. REQ'D</u>
3	O-RING	35371	2
4	BACK-UP RING	35370	2
5	GUIDE SPRING	23022	2
6	RETURN SPRING	22980	1
7	STRIPPER BOLT	20042	1
8	VALVE CAP	23053	1
9	RETAINING PLATE	23061	3
10	POPPET CHECK	25532	1
11	SPRING CHECK	22978	1
12	O-RING	35369	1
13	CHECK CAP	25531	1
14	FILISTER Hd. SCREW (3/4" Lg.)	20043	2
15	FILISTER Hd. SCREW (1/2" Lg.)	130047	2
16	SECTION SEAL (SQ.)	25216	1
17	SECTION SEAL (SQ.)	21257	3

NOTE: ITEMS (#16 & 17) NOT SHOWN ON DRAWING, ARE USED IN THE ASSEMBLY OF THE VALVE.

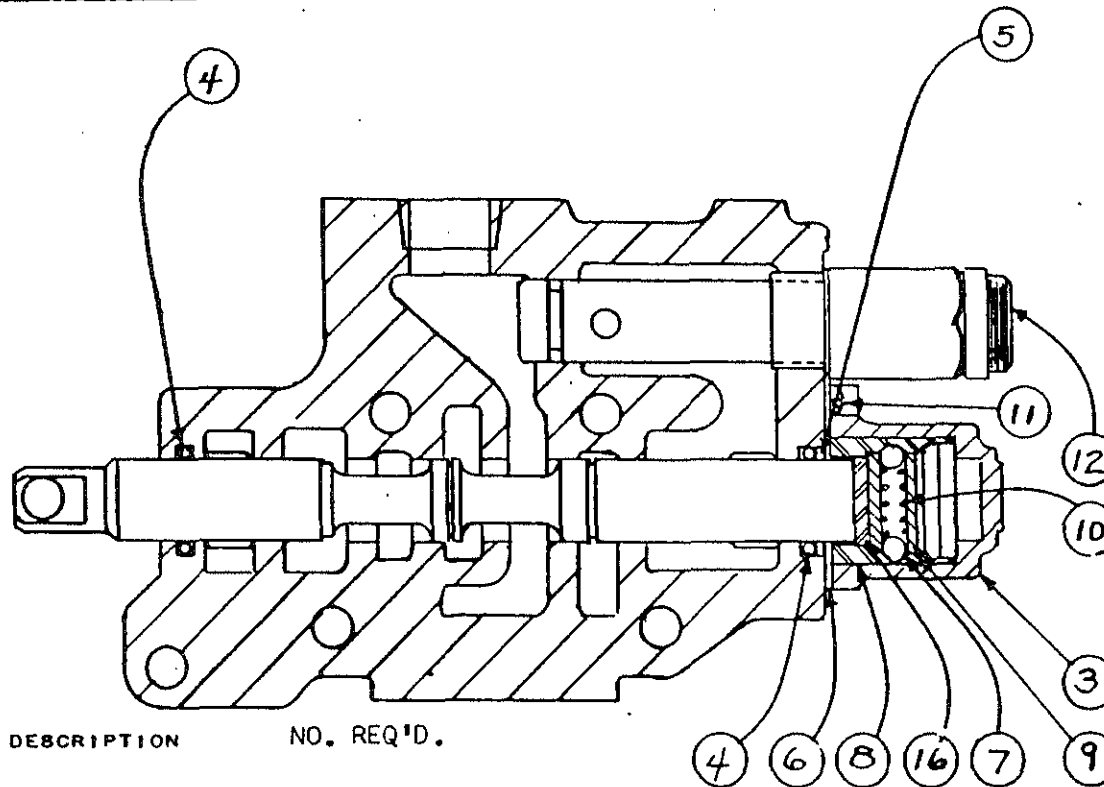
SHEET NO.

TITLE

DATE

R

J. H. FLETCHER & CO.



ITEM PART NO. DESCRIPTION NO. REQ'D.

3.	23053	VALVE CAP	1
4.	21262	"O" RING	2
5.	21285	BACK UP RING	1
6.	23021	RETAINING PLATE	1
7.	45477	STEEL BALL	2
8.	23093	POPPET SLEEVE	1
9.	23088	POPPET RETAINER	1
10.	22945	SPRING	1
11.	20043	FILLISTER HD. SCREW	2
12.	31647	RELIEF VALVE ASSY.	1
16.	22043	WASHER	1

SHEET NO.

HW-1120

TITLE

29365

MID-SECTION SELECTOR VALVE

DATE

6-24-86

R

J. H. FLETCHER & CO.

707 WEST 7TH STREET

HUNTINGTON, W. VA.

29368
 SPRING RETURN SECTION
 2 REQ'D
 (SEE SHEET HV- 1117 FOR PARTS)

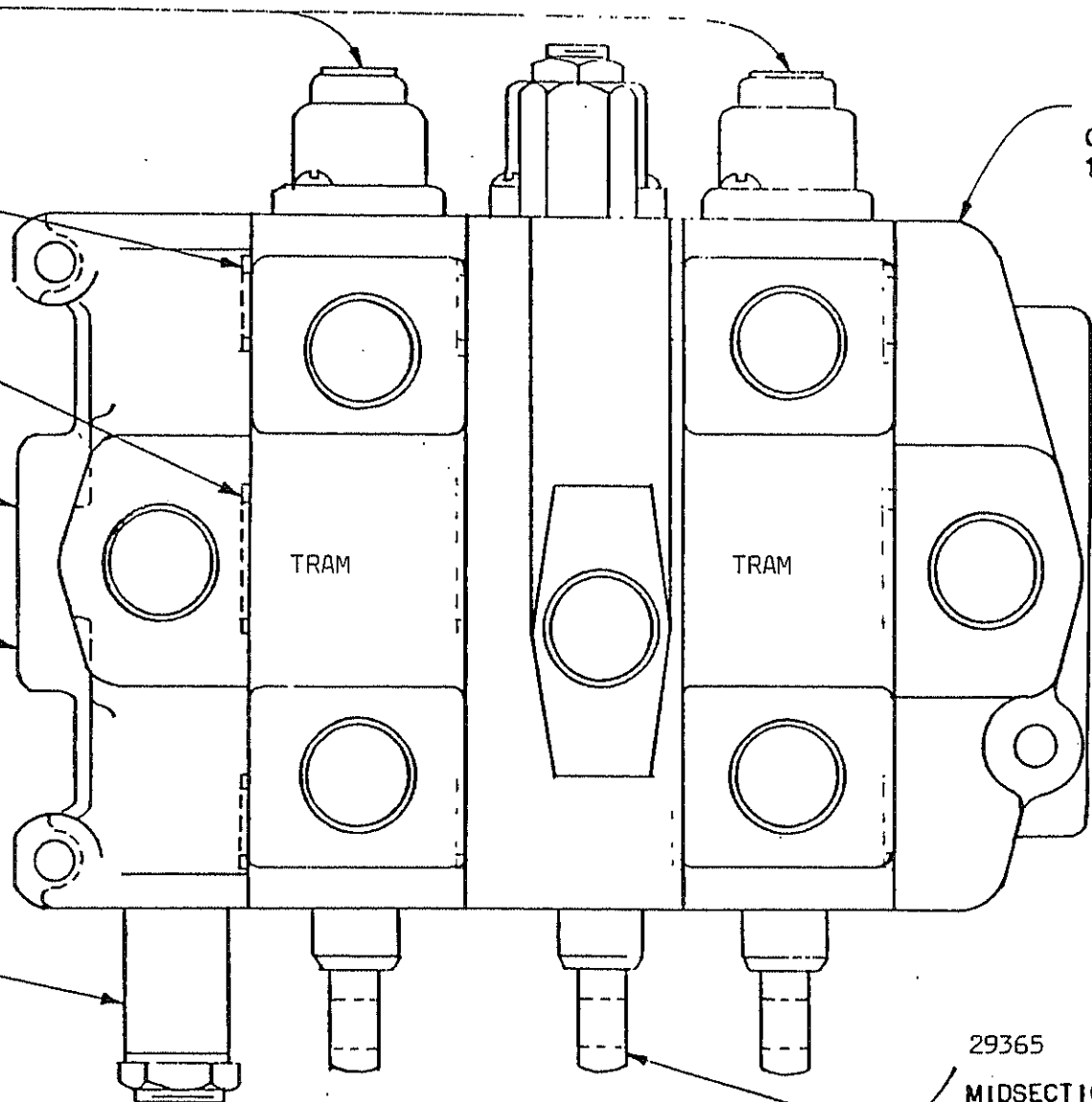
21257
 SEAL
 12 REQ'D

252167
 SEAL
 4 REQ'D

30779
 INLET SECTION ASS'Y
 1 REQ'D

30783
 BODY ONLY
 1 REQ'D

31453
 RELIEF VALVE CARTRIDGE
 1 REQ'D



30766
 OUTLET SECTION
 1 REQ'D

NOT SHOWN:
 31738 STUDS
 (4 REQ'D)

29365
 MIDSECTION SELECTOR VALVE
 1 REQ'D
 (SEE SHEET HV-1120 FOR PARTS)

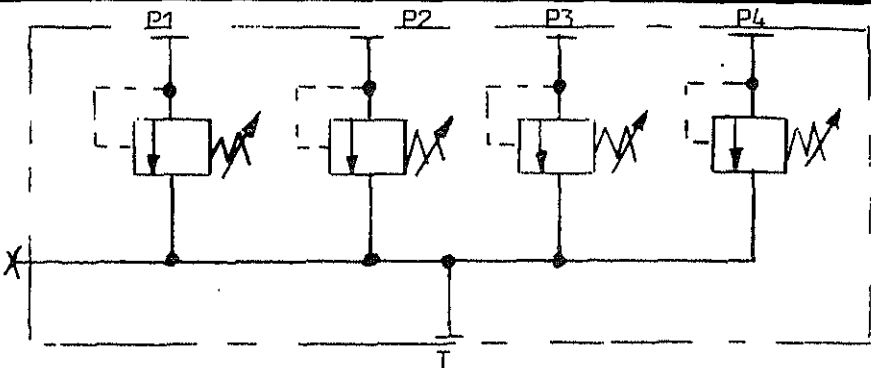
SHEET NO.

TITLE

DATE

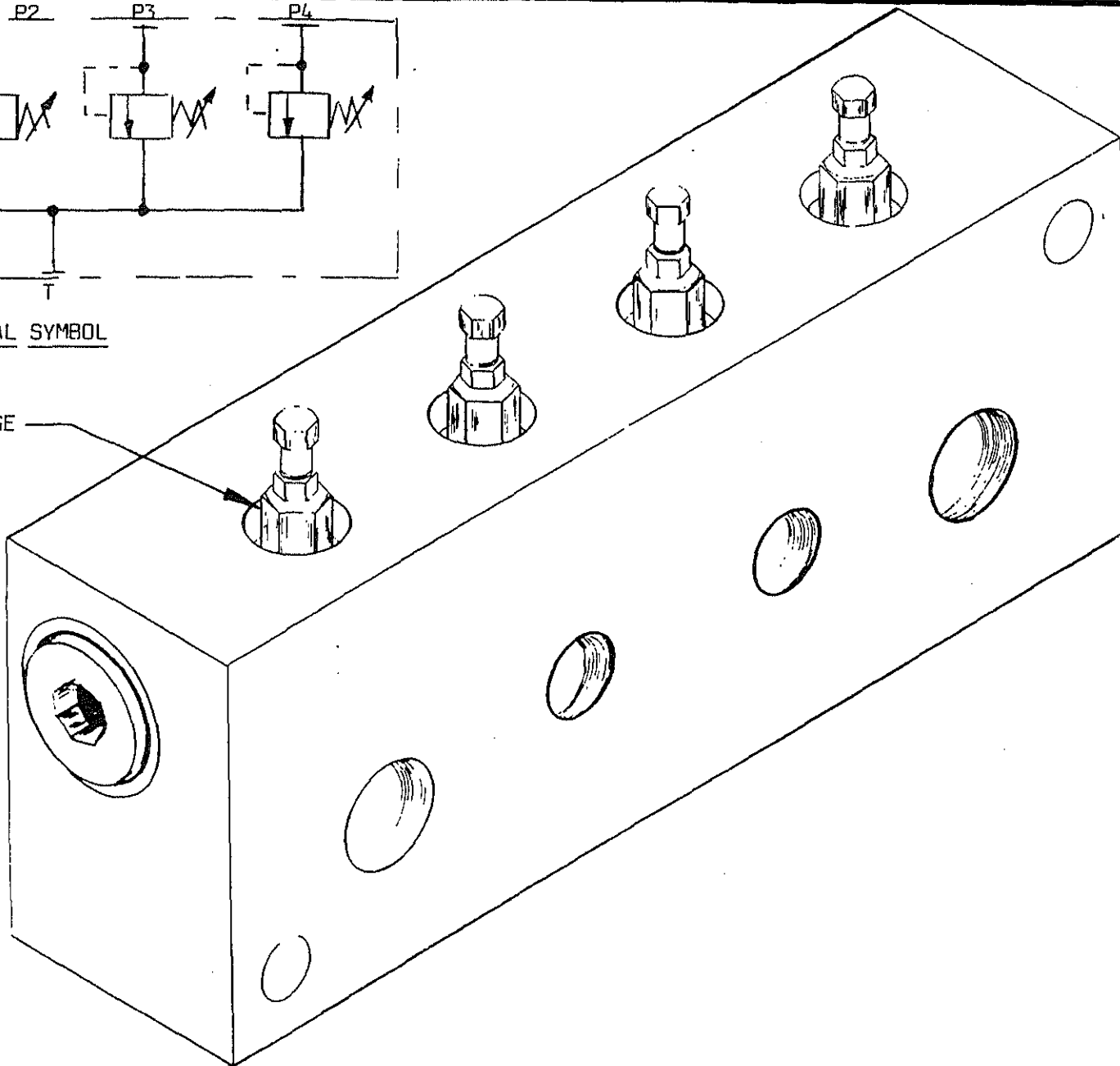
R

J. H. FLETCHER & CO.



GRAPHICAL SYMBOL

36777 RELIEF CARTRIDGE
(4 REQ'D)



1 REQ'D (MAIN SAFETY)

SHEET NO.

TITLE

DATE

R

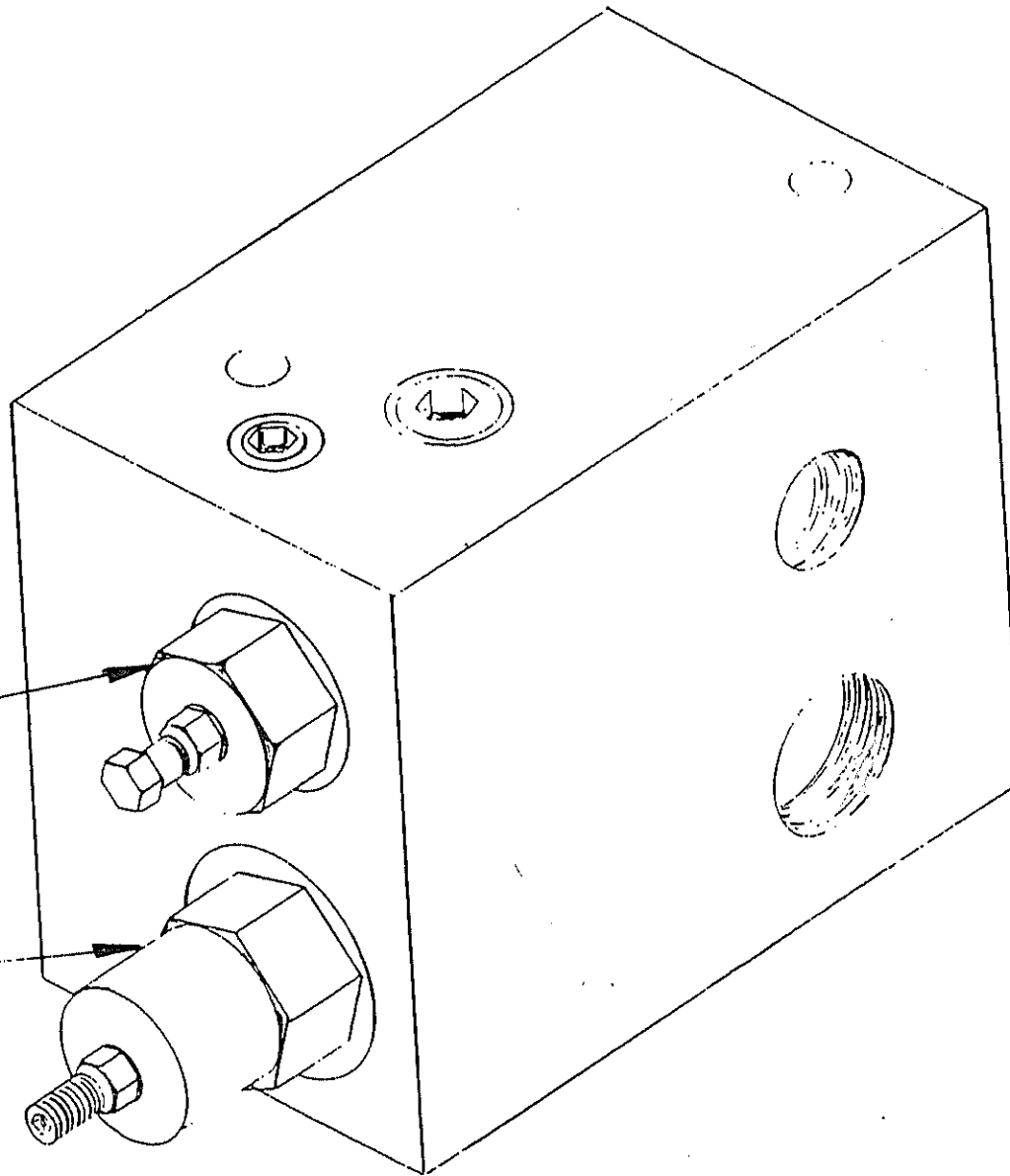
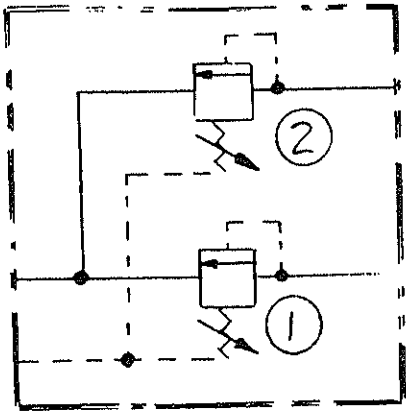
HV-1141

36763 RELIEF VALVE

8-27-86

J. H. FLETCHER & CO.
707 WEST 7TH STREET HUNTINGTON, W. VA.

(435-472-8779 FAX)



36775 RELIEF CARTRIDGE

36774 RELIEF CARTRIDGE

2 REQ'D, 1 FOR EACH BOLT TIGHTENER

SHEET NO.

HV-1118

TITLE
36751 VENTED Torque + Relief Valve
36751 VENTED TORQUE & RELIEF VALVE

DATE

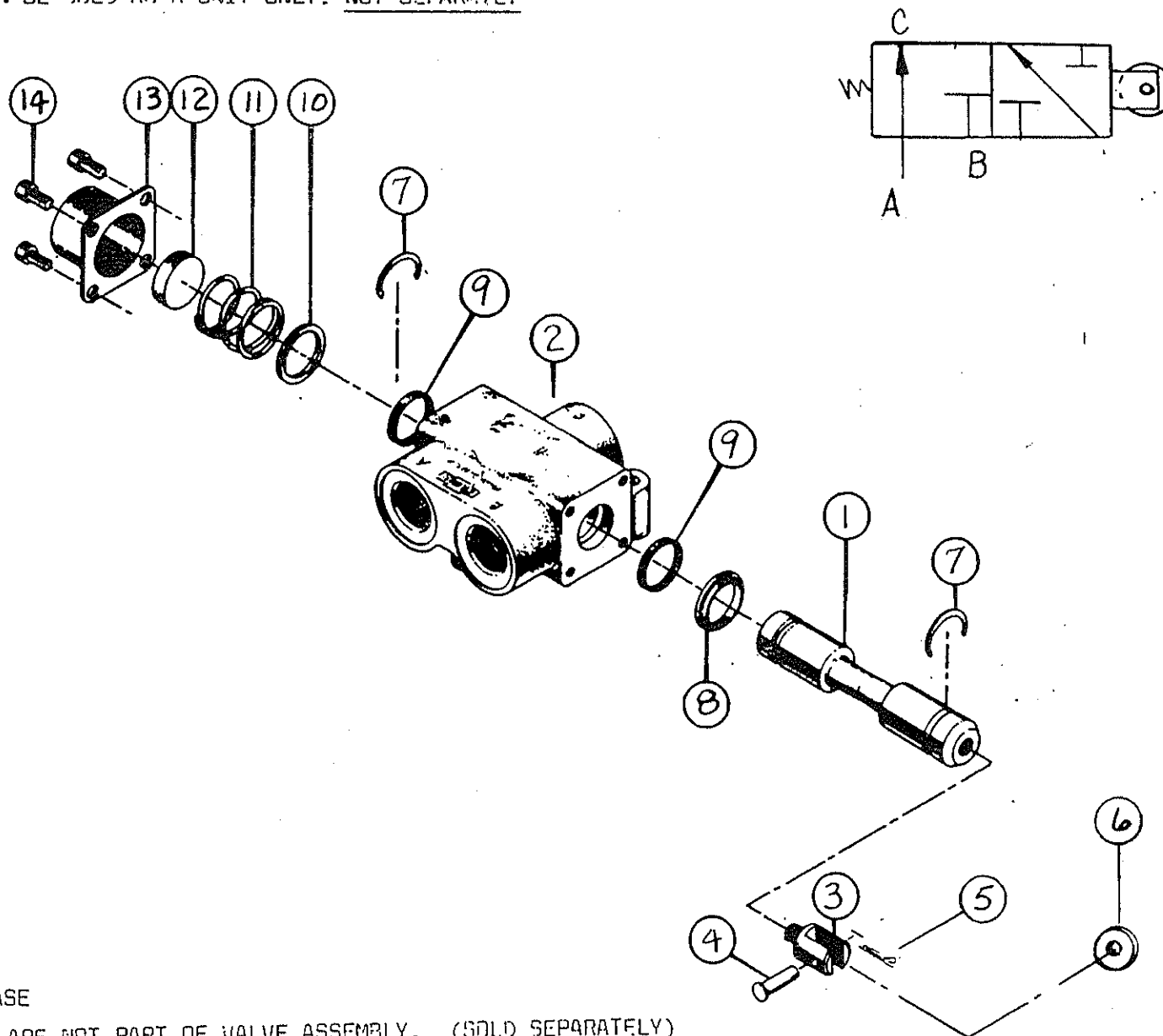
R-19-96

R

J. H. FLETCHER & CO.
103 WEST 11th STREET
MINTON, W. VA.

NOTE: ITEMS (1 & 2) CAN BE SOLD AS A UNIT ONLY. NOT SEPARATLY

NOTE: 35080 SEAL KIT



1 REQ'D FOR THE TRS RIASE

NOTE: ITEMS (4,5,& 6) ARE NOT PART OF VALVE ASSEMBLY. (SOLD SEPARATELY)

SHEET NO.

TITLE

DATE

R

J. N. FLETCHER & CO.

SHEET NO.

TITLE

DATE

R

J. H. FLETCHER & CO.

HV-1195

33784 DIVERSION VALVE ASSEMBLY

10-8-86

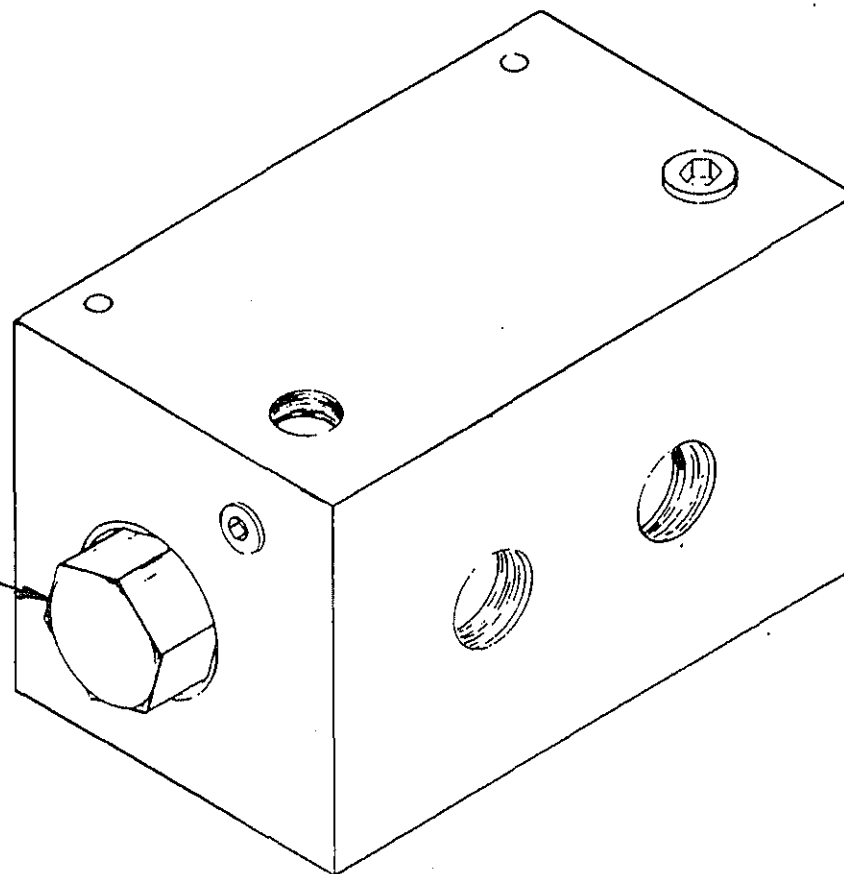
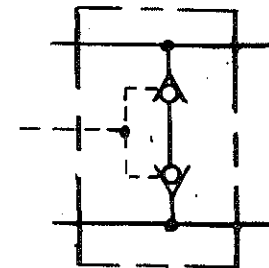
707 WEST 7TH STREET

HUNTINGTON, W. VA.

<u>ITEM</u>	<u>DESCRIPTION</u>	<u>PART NO.</u>	<u>NO. REQ'D</u>
1.	SPOOL }		1
2.	BODY }	29413	1
3.	CLEVIS	25535	1
4.	PIN	18163	1
5.	COTTER PIN	33581	1
6.	ROLLER (BRONZE)	177945	1
7.	SNAP RING	24157	2
8.	DUST SEAL	35079	1
9.	SPOOL SEAL	35078	2
10	WASHER	25539	1
11	SPRING	25538	1
12	STOP (FORWARD)	25536	1
13	END CAP	25537	1
14	SLOT HEAD MACHINE SCREW	130057	4

NOTE: ITEMS (4,5.& 6) ARE NOT PART OF VALVE ASSEMBLY. (SOLD SEPARATELY)

GRAPHIC SYMBOL



36788 CHECK VALVE CARTRIDGE
(2 REQ'D)

2 REQ'D FOR THE TRAM SYSTEM

SHEET NO.
HV-1212
HV-1212

36787
36787

TITLE

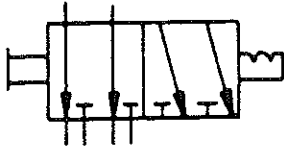
PILOT OPERATED CHECK VALVE

DATE

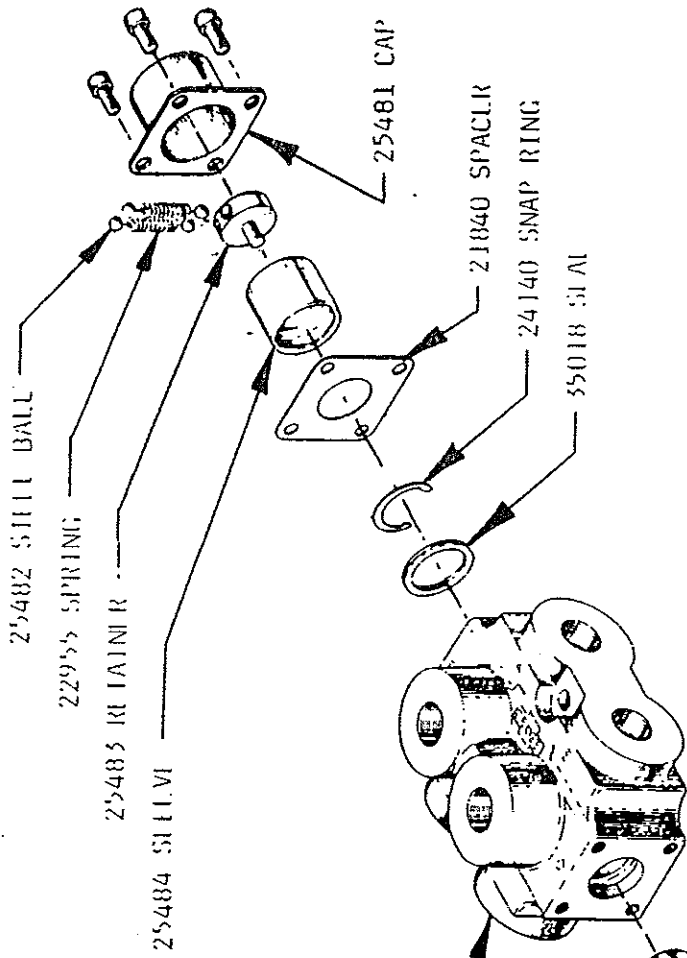
12-3-86

R

J. H. FLETCHER & CO.



GRAPHICAL SYMBOL



25482 STEEL BALL

22955 SPRING

25483 RETAINER

25484 SHELV

25481 CAP

21840 SPACER

24140 SNAP RING

35018 SEAL

* HOUSING

* SPOOL

35018 SEAL

25480 HANDLE ADAPTOR

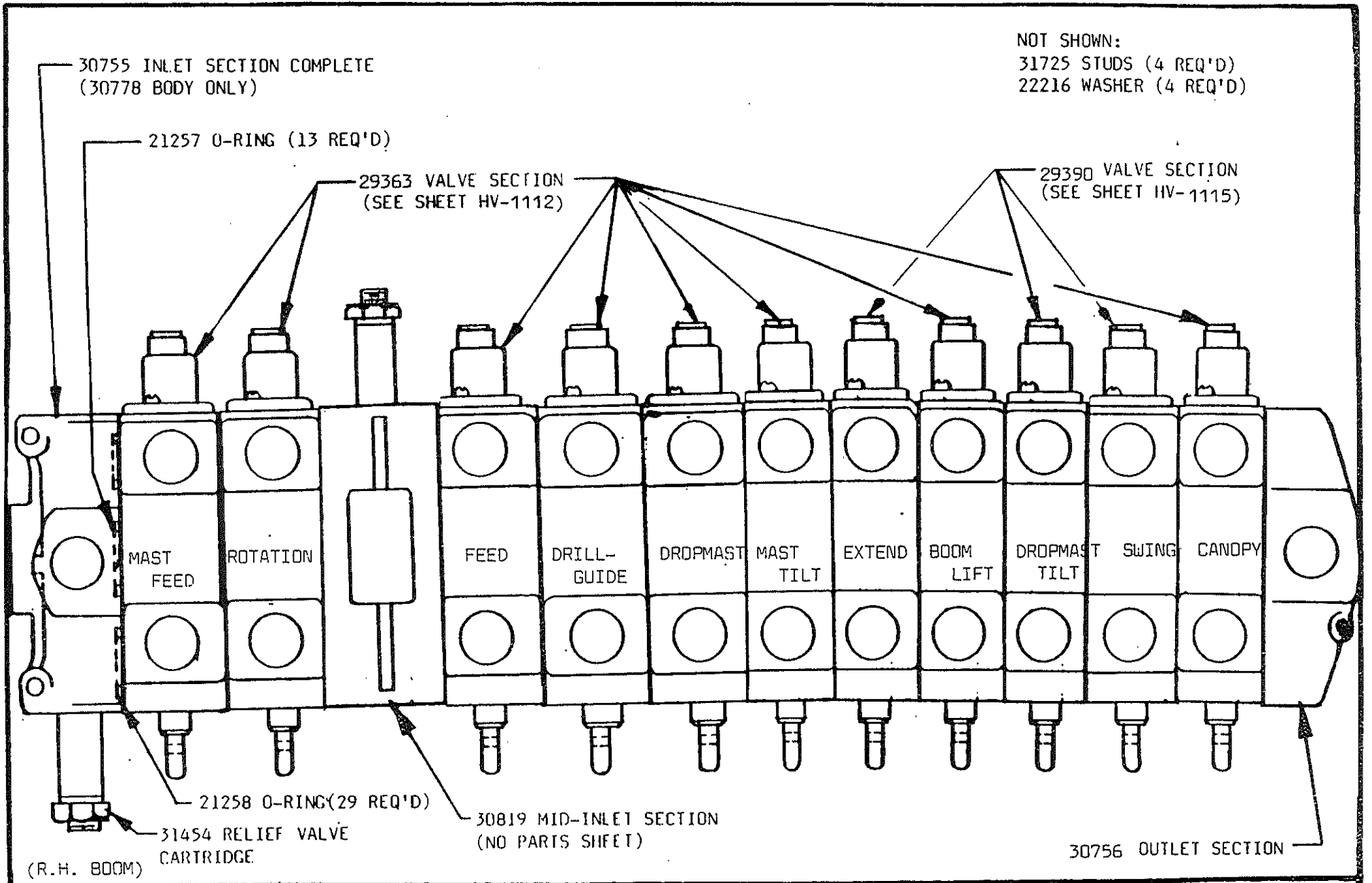
24140 SNAP RING

55508 PIN KIT

41598 HANDLE BRACKET

41597 HANDLE

*NOTE: HOUSING AND SPOOL ARE NOT SOLD SEPARATELY.



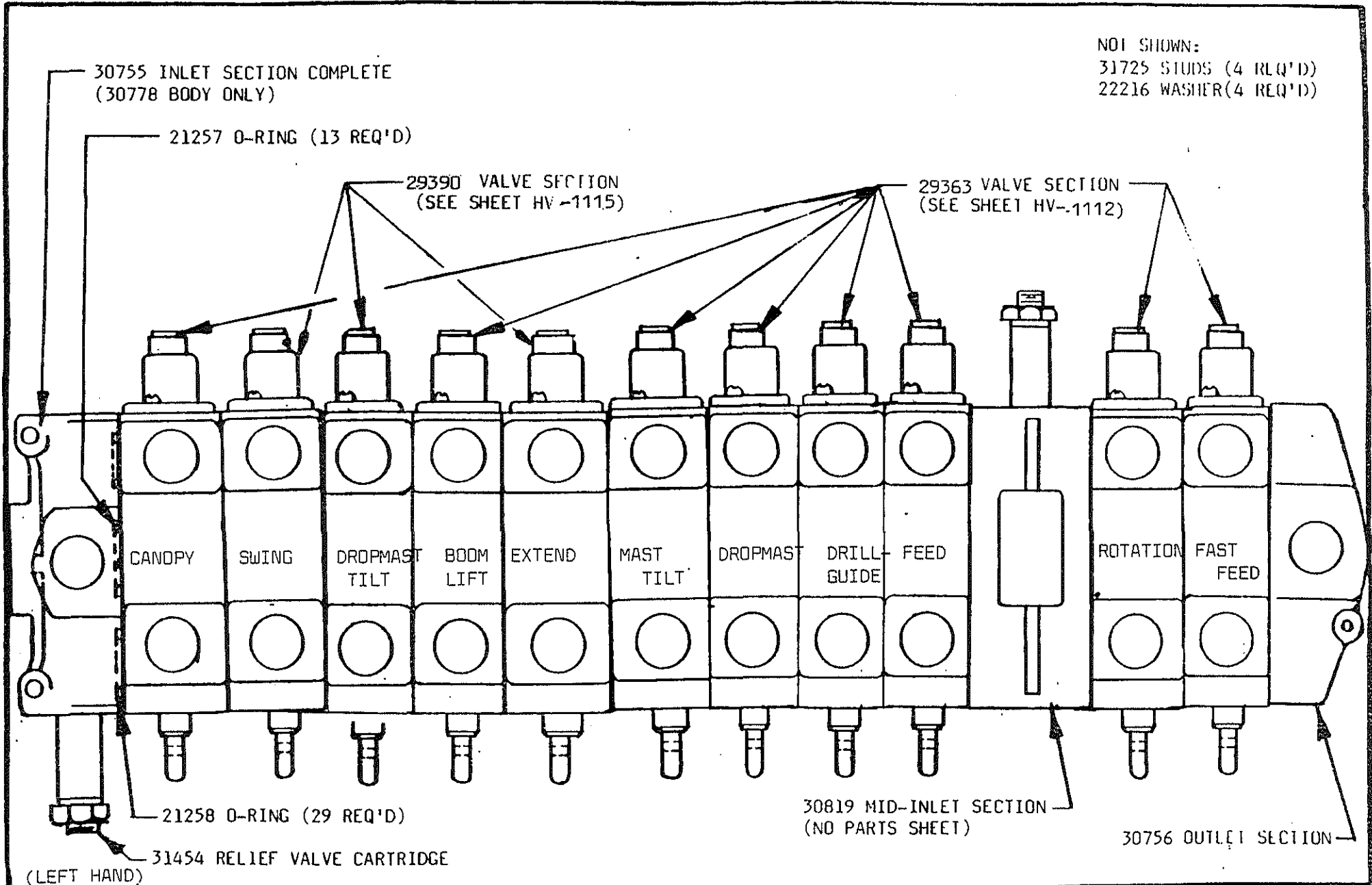
SHEET NO.

TITLE

DATE

R

J. H. FLETCHER & CO.



SHEET NO.

TITLE

DATE

R

J. H. FLETCHER & CO.

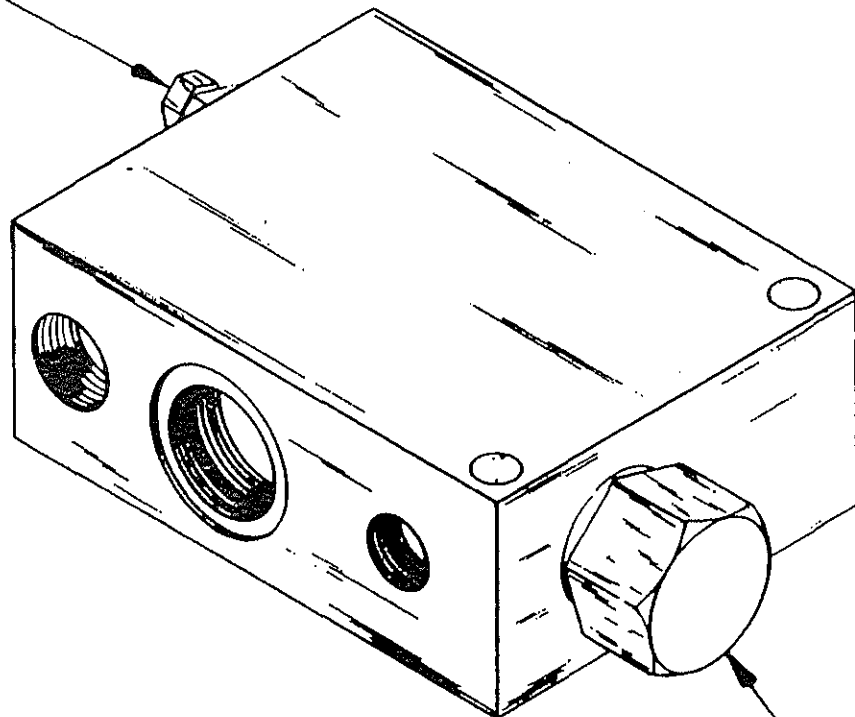
11-15-51

410000

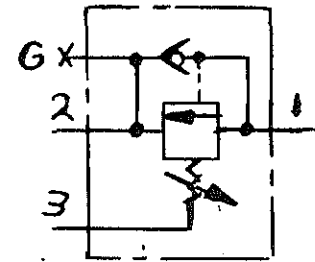
CONTROL VALVE ASSEMBLY

5-3-58

36775 RELIEF CARTRIDGE



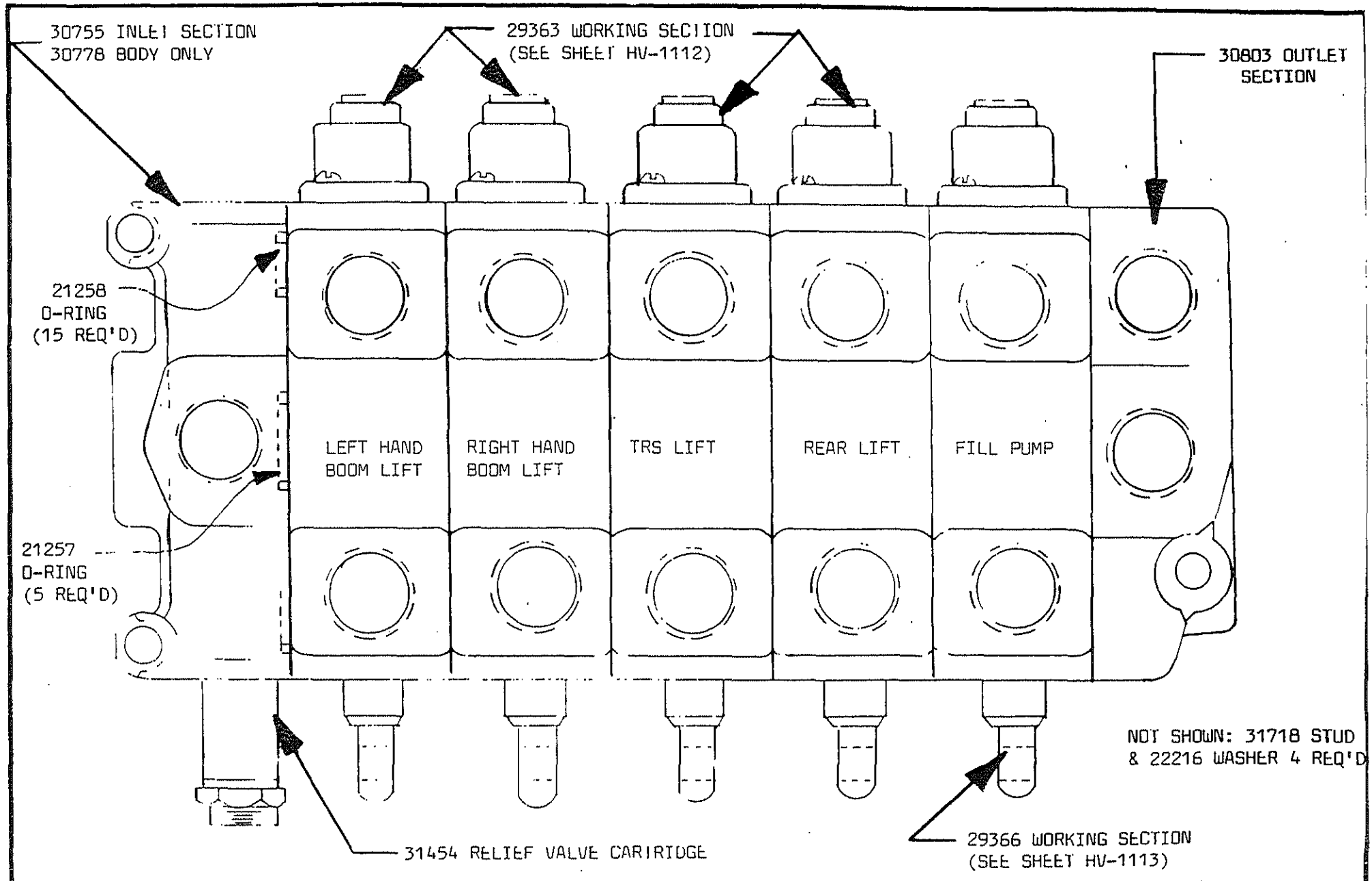
36783 CHECK CARTRIDGE



GRAPHICAL SYMBOL

1 REQ'D FOR THE TRS

SHEET NO.	TITLE	DATE	R	J. N. FLETCHER & CO.	
HV-1351	36851 SEQUENCE VALVE w/REVERSE FREE FLOW	10-6-88		707 WEST 7TH STREET	HUNTINGTON, W VA



SHEET NO.

TITLE

DATE

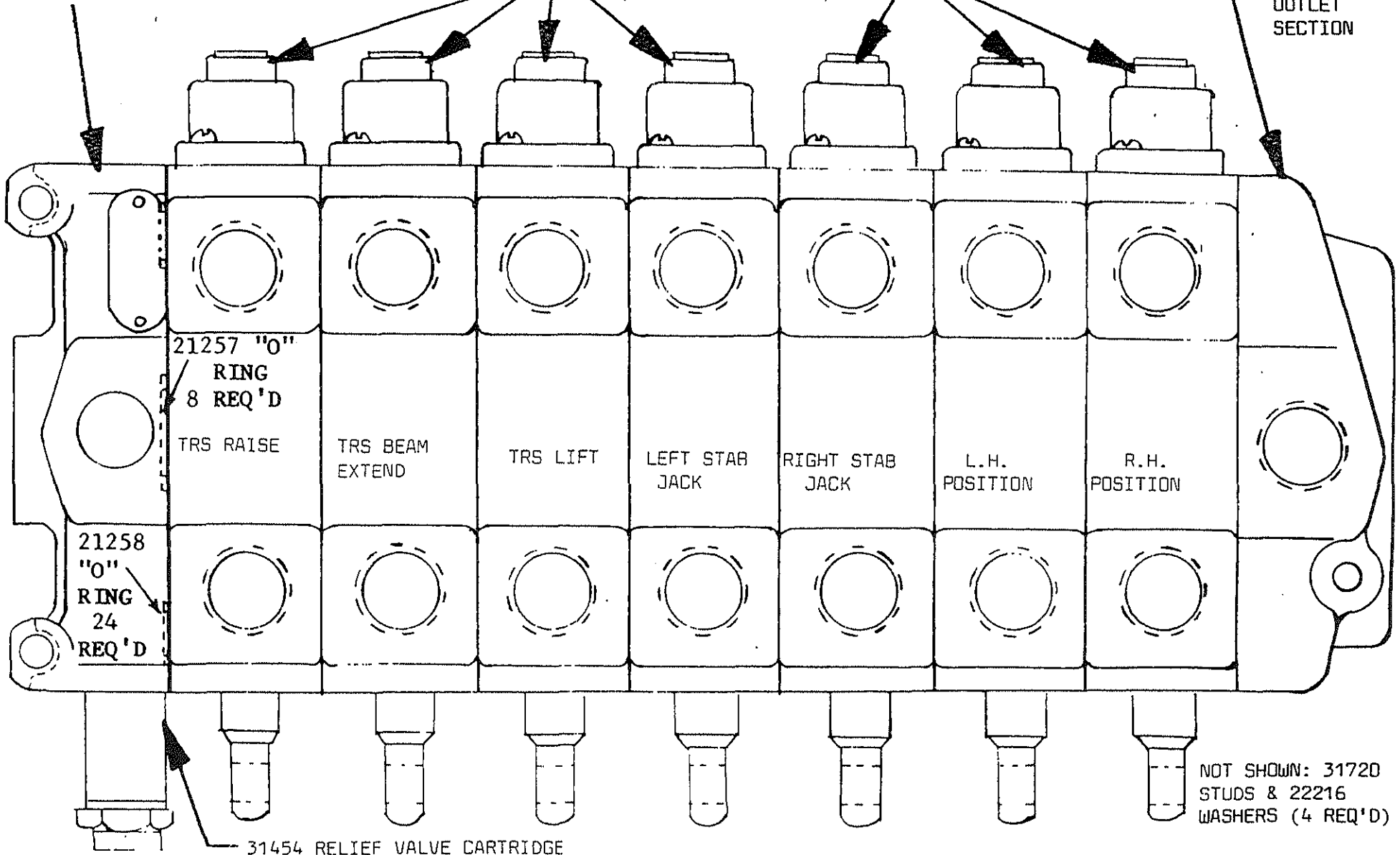
R

J. H. FLETCHER & CO.

30755 INLET SECTION COMPLETE
30778 BODY ONLY

29363 WORKING SECTION
(SEE SHEET HV-1112)

30756
OUTLET
SECTION



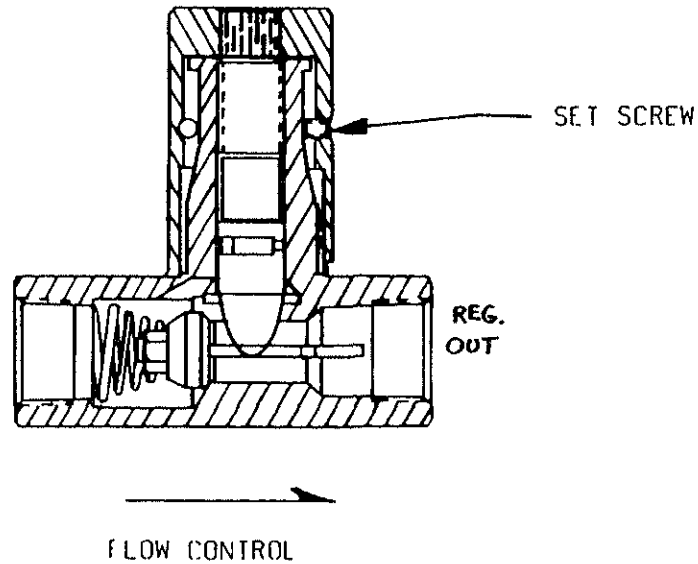
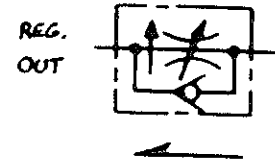
SHEET NO.

TITLE

DATE

R

J. H. FLETCHER & CO.



8 REQ'D

4 REQ'D, 2 FOR EACH BOOM SWING

4 REQ'D, 2 FOR EACH BOOM EXTEND

NOTE:

NO PARTS ARE RECOMMENDED FOR FIELD SERVICE. REPLACE COMPLETE VALVE.

SHEET NO.

TITLE

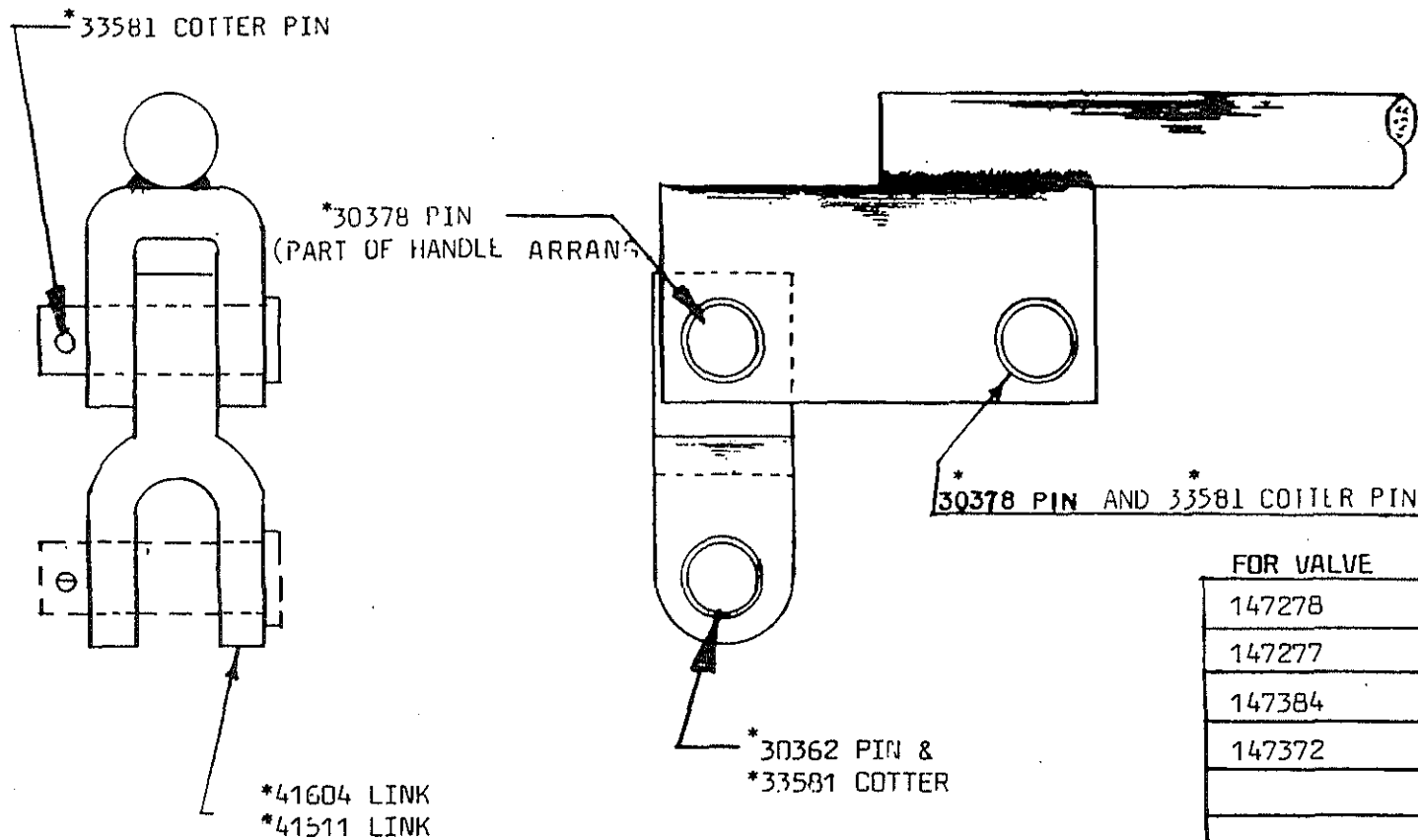
DATE

R

J. W. FLETCHER & CO.

4/7/80

NOT SHOWN: 41617 RUBBER GRIP

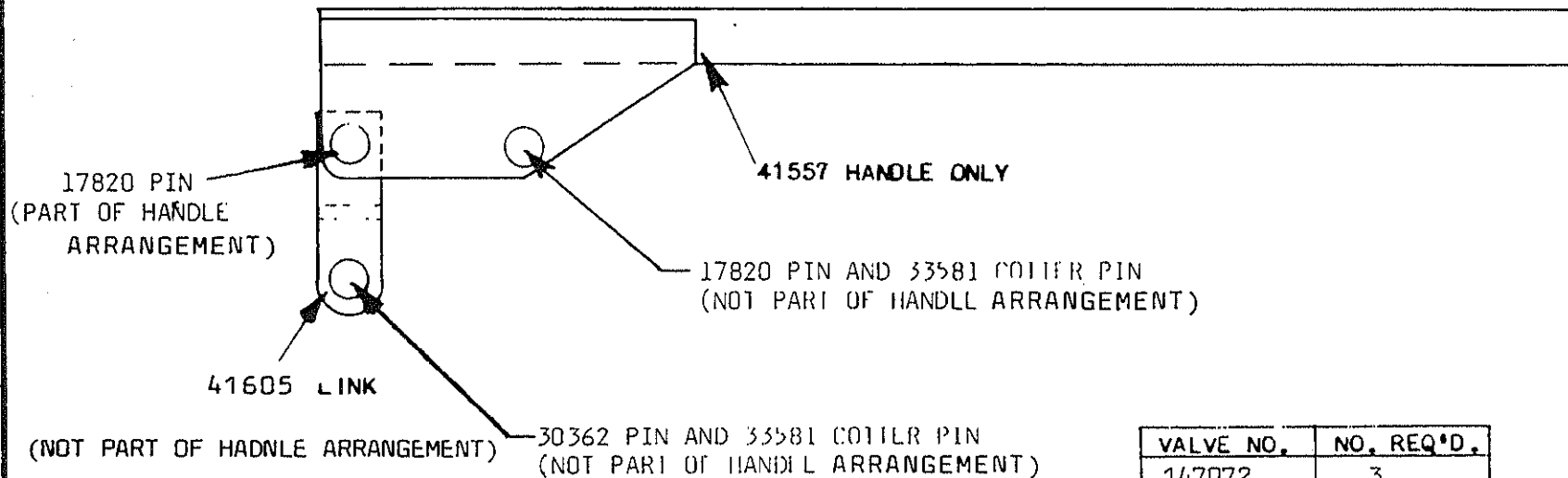


FOR VALVE	NO. REQ'D
147278	11
147277	11
147384	7
147372	5

NOTE: * INDICATES ITEMS NOT PART OF HANDLE ARRANGEMENT & MUST BE ORDERED SEPERATLY.

SHEET NO. HY-40	TITLE 41513 VALVE HANDLE ARRANGEMENT	DATE 7-16-86	R J. H. FLETCHER & CO. <small>787 WEST 7TH STREET AMHERSTON MA 01004</small>
--------------------	---	-----------------	--

18477 GRIP
NOT SHOWN



VALVE NO.	NO. REQ'D.
147072	3

NOTE: LINK & PINS (ARE NOT PART OF ARRANGEMENT) MUST BE ORDERED SEPERATLY.

SHEET NO.

HY-72

TITLE

41556 VALVE HANDLE ARRANGEMENT

DATE

7-16-86

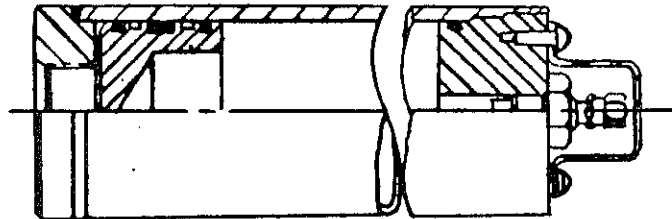
R

J. H. FLETCHER & CO.

707 WEST 7TH STREET

HUNTINGTON, W. VA.

NOTE: NO PARTS RECOMMENDED FOR
FIELD SERVICE. REPLACE
COMPLETE ACCUMULATOR.

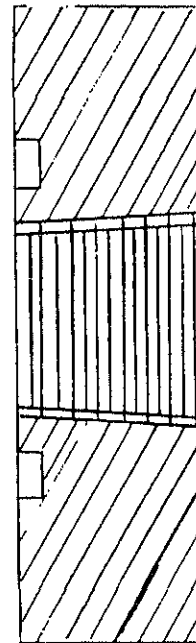
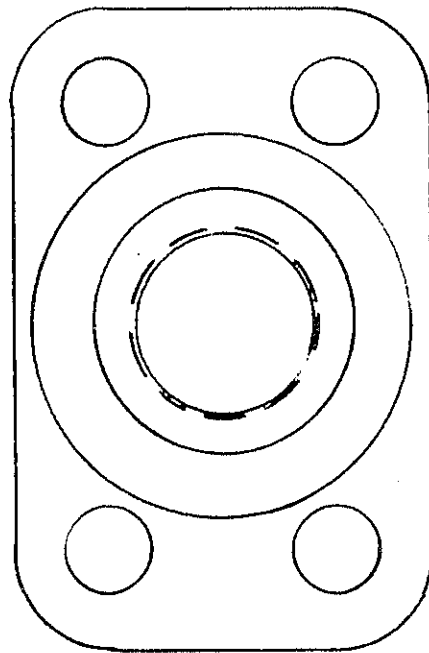


NOTE: PRE CHARGED TO 400 LBS. psi.

NOT SHOWN:
20464 ADAPTOR (1 REQ'D)

1 REQ'D FOR THE TRS RAISE

SHEET NO.	TITLE	DATE	R	J. H. FLETCHER & CO.
11/17/78	20464 HYDRAULIC ACCUMULATOR	11/30/78		



173324 ADAPTOR BLOCK w/ 18564 O-RING

SHEET NO.

HY-190

TITLE

MOTOR ADAPTOR BLOCK

DATE

5-17-90

R

J. H. FLETCHER & CO.
707 WEST 7TH STREET HUNTINGTON, W. VA.