

DRAWING NO. - 310882300

PARTS LIST

2/13/95  
PAGE 1 OF 1

PART NO. - 310882300

DESCRIPTION - HYDRAULICS

U/M - EA

ITEM	PART NO.	DRAWING NO.	DESCRIPTION	QUANTITY	U/M
1	330290322	330290322	SCHEMATIC, HYDRAULIC	.000	EA
2	730260036	310150528	PUMP, HAND	1.000	EA
3	480550343		VALVE, CHECK	1.000	EA
4	310180169	310180169	ASSY, TANK-HYDRAULIC	1.000	EA
5	330260228	330260228	PUMP, TANDEM-25X	1.000	EA
6	490570115		FITTING, TEST	2.000	EA
7	490560001		VALVE, SHUTOFF-NEEDLE	2.000	EA
8	880570019		GAUGE, PRESSURE	2.000	EA
9	480550251		VALVE, CHECK	1.000	EA

NOTES- 1. FOR MORE INFORMATION SEE ADDITIONAL DWGS THIS SECTION.

STAMLER CORPORATION  
MILLERSBURG, KENTUCKY

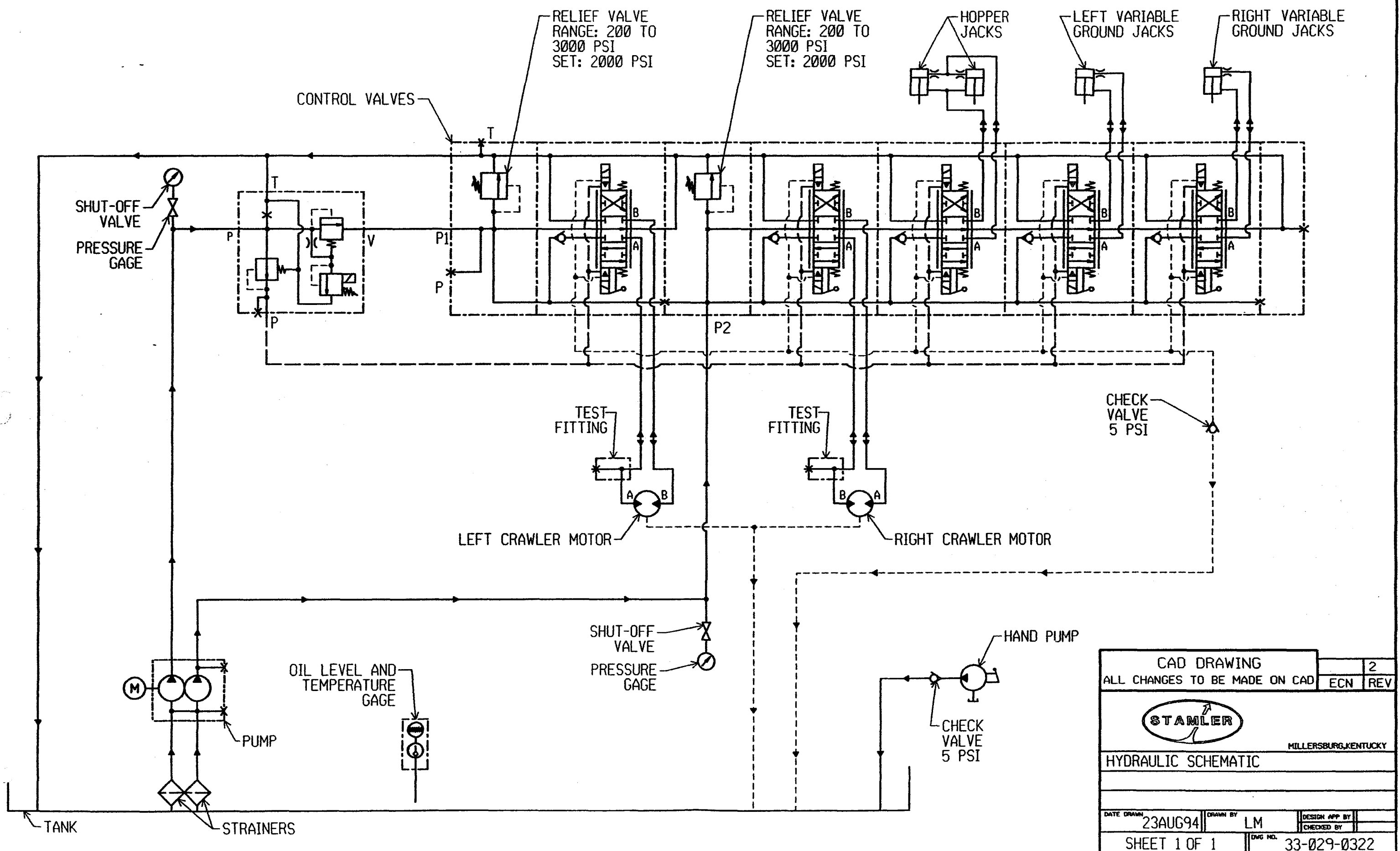
-----  
PARTS LIST,  
HYDRAULICS


\*\*\* LAST PAGE \*\*\*

-----  
DATE 1/11/95 DRWN BY LM DRAWING NO. 310882300

E.C.N.

REV. LAST REVISED 0/00/00



CAD DRAWING		2
ALL CHANGES TO BE MADE ON CAD		ECN REV
 MILLERSBURG, KENTUCKY		
HYDRAULIC SCHEMATIC		
DATE DRAWN	DRAWN BY	DESIGN APP BY
23AUG94	LM	
SHEET 1 OF 1		DWG NO. 33-029-0322

DRAWING NO. - 310150528

PARTS LIST

PAGE 2/13/95  
1 OF 1

PART NO. - 730250036

DESCRIPTION - PUMP, HAND

U/M - EA

ITEM	PART NO.	DRAWING NO.	DESCRIPTION	QUANTITY	U/M
1	780110001		BODY	1.000	EA
2	780110002		LINER, BODY	1.000	EA
3	780680001		ASSY, PISTON & SHAFT	1.000	EA
4	780030001		RING, PISTON	2.000	EA
5	780560001		ASSY, VALVE (INCL: ITEM 6)	4.000	EA
6	780480002		HOLDER, SPRING	4.000	EA
7	780870001		GASKET, COVER	1.000	EA
8	780130001		COVER	1.000	EA
9	A5A0420008		SCREW, HEX HD CAP	8.000	EA
10	780110003		PACKING	1.000	EA
11	780110004		SCREEN	1.000	EA
12	780430001		BEARING	1.000	EA
13	780110005		LINK	2.000	EA
14	780280001		PIN, CLEVIS LINK	2.000	EA
15	780140001		PLATE, BEARING	1.000	EA
16	A2FS324016		SCREW, RND HD MACHINE	2.000	EA
17	780280002		PIN, CLEVIS SHAFT	1.000	EA
18	780590001		HANDLE	1.000	EA
19	780110006		LINK, LOCKING	1.000	EA
20	780110007		RIVET	1.000	EA
21	780110008		WASHER, TENSION	1.000	EA
22	780280003		PIN, COTTER	3.000	EA
23	780110009		ADAPTER, BUNG-W/SET SCREW	1.000	EA
24	780110010		BREAKER, VACUUM (NOT SHOWN)	1.000	EA

NOTES- 1. PART NO. AT TOP OF PAGE INDICATES COMPLETE ASSY.  
2. FOR PARTS ILLUSTRATION SEE DWG NO. 31-026-0001.

STAMLER CORPORATION  
MILLERSBURG, KENTUCKY

\*\*\* LAST PAGE \*\*\*

PARTS LIST,  
PUMP, HAND

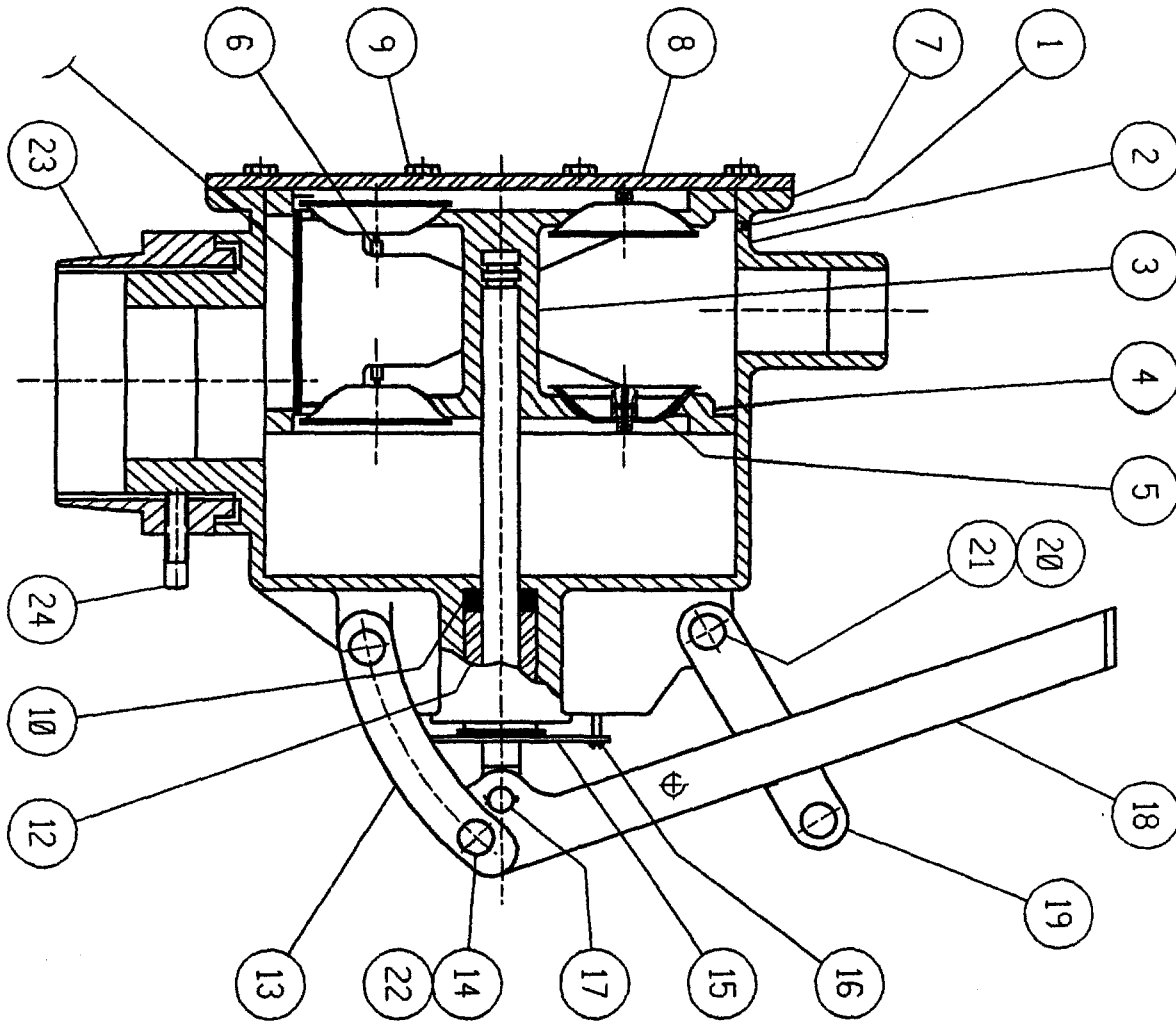
DATE 10/24/78  
DRAWN BY DH  
DRAWING NO. 310150528

E.C.N.

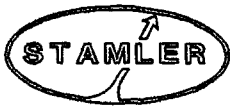
2310

REV. A

LAST REVISED  
12/19/85



REDRAWN ON CAD 24 JULY 86 BY K.SLEDD.

CAD DRAWING		A	
ALL CHANGES TO BE MADE ON CAD		ECN	REV
			
MILLERSBURG, KENTUCKY			
PARTS LIST ILLUSTRATION -			
HAND PUMP			
DATE DRAWN	DRAWN BY	DESIGN APP BY	CHECKED BY
5DEC85	DH		
SHEET 1 OF 1		DWG NO. 31-026-0001	

DRAWING NO. - 310180169

PARTS LIST

PAGE 2/13/95  
1 OF 1

PART NO. - 310180169

DESCRIPTION - ASSY, TANK-HYDRAULIC

U/M - EA

ITEM	PART NO.	DRAWING NO.	DESCRIPTION	QUANTITY	U/M
A	370180312		ASSY, TANK-HYDRAULIC	1.000	EA
B	490520009		STRAINER	2.000	EA
C	880110035		NIPPLE, CLOSE-2" X 2" LG	2.000	EA
D	320110645		BAFFLE	1.000	EA
E	880110012		GAUGE, OIL LEVEL/TEMPERATURE	1.000	EA
F	880870001		GASKET MATERIAL	10.000	FT
G	A5A0616012		SCREW, HEX HEAD CAP	28.000	EA
H	A5P0600000		WASHER, LOCK	28.000	EA
J	480570141		GLASS, SIGHT	1.000	EA
K	A5A0813020		SCREW, HEX HEAD CAP	14.000	EA
L	A5P0800000		WASHER, LOCK	14.000	EA
M	4190		PLATE, MTG-HYDR TANK SUCT STR	1.000	EA
N	300870001		GASKET	1.000	EA
P	320110647		BAFFLE	1.000	EA
Q	320570431		CONNECTOR, TUBE	1.000	EA

- NOTES-
1. TANK CAPACITY IS 76 GALLONS.
  2. PART NO. AT TOP OF PAGE INCLUDES ALL LISTED COMPONENTS.
  3. FOR PARTS ILLUSTRATION SEE DWG NO. 37-018-0315.

STAMLER CORPORATION  
MILLERSBURG, KENTUCKY

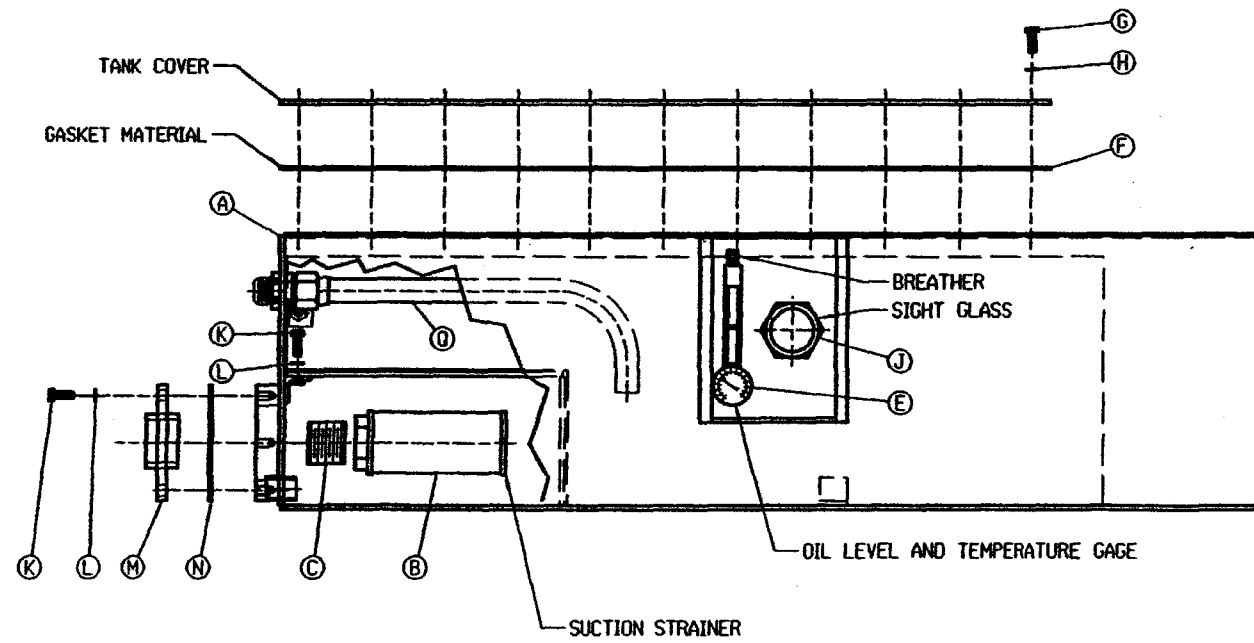
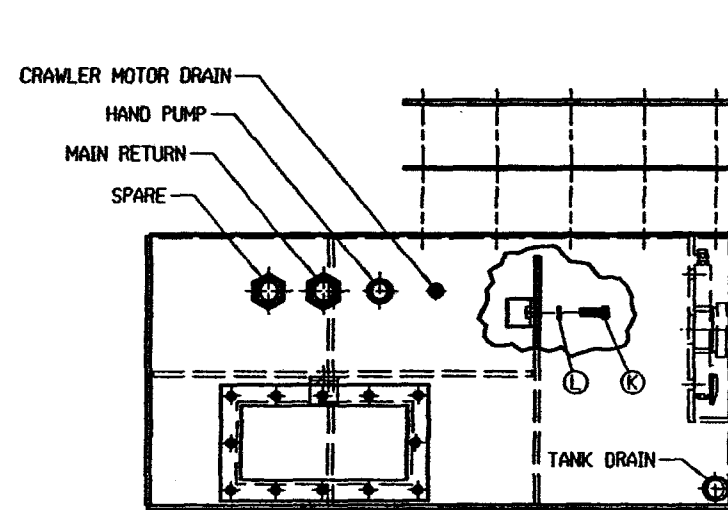
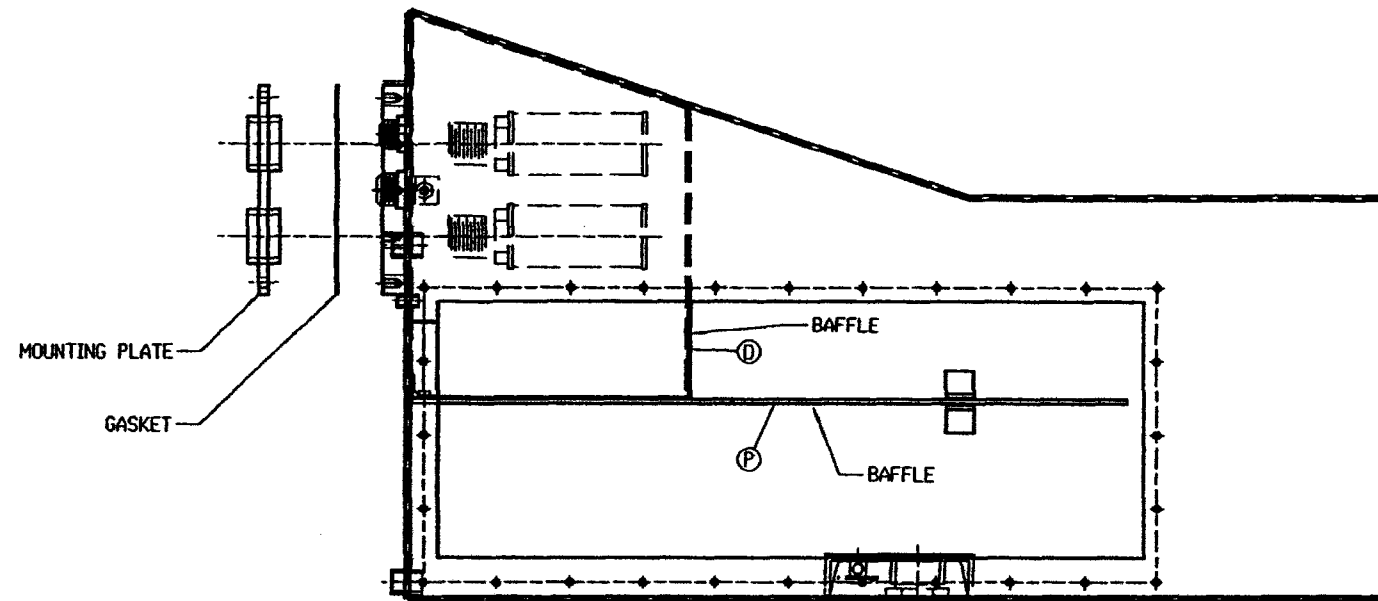
\*\*\* LAST PAGE \*\*\*

PARTS LIST,  
ASSY, TANK-HYDRAULIC

DATE 8/17/94 DRWN BY LKM DRAWING NO. 310180169

E.C.N. 3798 REV. A

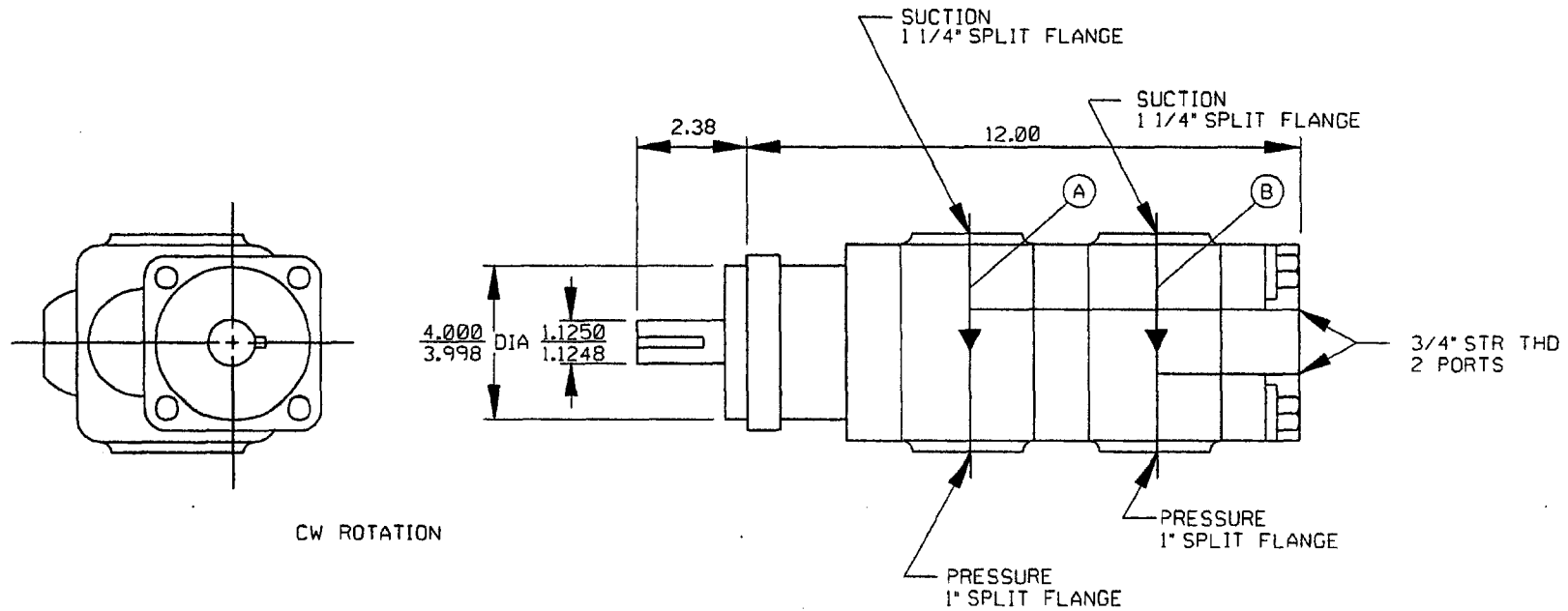
LAST REVISED 1/26/95



NOTES: 1. FOR CLARITY ALL ITEMS ARE NOT SHOWN IN ALL VIEWS.


CAD DRAWING		3798	A
ALL CHANGES TO BE MADE ON CAD		ECN	REV
HILLERSBURG, KENTUCKY			
HYDRAULIC ASSEMBLY - TANK			
DATE	BY	CHECKED BY	DATE
18AUG94	LM		
SHEET 1 OF 1		37-018-0315	

GEAR ITEM	GEAR SIZE	GPM @ 1800 RPM
A	1.25	23
B	1.25	23



CW ROTATION

NOTES: 1. WHEN SHIPPING AS PARTS ORDER PLUG END PORTS WITH \*P50NS12.  
 2. FOR COMPLETE PUMP ORDER NO. 330260228.

CAD DRAWING		A
ALL CHANGES TO BE MADE ON CAD		ECN REV
 MILLERSBURG, KENTUCKY		
HYDRAULIC PUMP-25X SERIES (TANDEM)		
DATE DRAWN: 27 JUN 90	DRAWN BY: RCS	DESIGN APP BY:
	CHECKED BY:	
SHEET 1 OF 1	DWS NO. 33-026-0228	