

PART NO. - 310151752

DESCRIPTION - ASSY, FIRE EXT SYSTEM-4 PT U/M - EA

ITEM	PART NO.	DRAWING NO.	DESCRIPTION	QUANTITY	U/M
A	880110251		ACTUATOR, MANUAL-FIRE EXT	2.000	EA
B	880110252		SEAL, INSP-VISUAL, FIRE EXT SYS	2.000	EA
C	320120103		BRACKET, ACTUATOR	2.000	EA
D	880140001		NAMEPLATE *	2.000	EA
E	580110002		CARTRIDGE, ACTUATOR	2.000	EA
F	FTXS6		CONNECTOR, MALE	4.000	EA
G	GTXS6		CONNECTOR	2.000	EA
H	490560014		VALVE *	2.000	EA
J	880110037		NIPPLE, CLOSE-1/4" X 7/8" LG *	2.000	EA
K	480570004		FITTING, HYDRAULIC *	1.000	EA
L	480570015		FITTING, HYDRAULIC *	1.000	EA
M	210744		ELBOW, MALE PIPE 90 DEG	1.000	EA
N	880110253		ACTUATOR, PNEUMATIC-FIRE EXT	1.000	EA
P	880560001		VALVE, RELIEF-FIRE EXT SYS	1.000	EA
Q	880110254		CARTRIDGE, GAS-FIRE EXT SYS	1.000	EA
R	880120001		BRACKET, GAS CARTRIDGE-FIRE SYS	1.000	EA
S	590110004		BOTTLE, FIRE/BRACKET, MTG *	1.000	EA
T	880110255		DISC, BURSTING-FIRE EXT SYS	1.000	EA
U	FTXS12		CONNECTOR, MALE	2.000	EA
V	480570120		FITTING, HYDRAULIC *	1.000	EA
W	880110121		NIPPLE, CLOSE-1/2" X 1 1/8" LG *	2.000	EA
X	480570119		FITTING, HYDRAULIC *	2.000	EA
Y	FTXS10		CONNECTOR, MALE	4.000	EA
Z	GTXS10		CONNECTOR	4.000	EA
AA	300120118		BRACKET, NOZZLE	4.000	EA
AC	880110256		NOZZLE, FIRE EXT SYS	4.000	EA
AD	880600001		CAP, BLOW OFF-FIRE EXT SYS	4.000	EA
AE	300350092		PLATE, MTG-CLAMP	2.000	EA
AF	580110003		CLAMP, TRIPLE TEE-FIRE EXT SYS	2.000	EA

STAMLER CORPORATION
MILLERSBURG, KENTUCKY

*** CONTINUED ***

PARTS LIST,
ASSY, FIRE EXT SYSTEM-4 PT

DATE 7/23/84 DRWN BY DH DRAWING NO. 310151752

E.C.N. 3455 REV. B

LAST REVISED 8/06/92

DRAWING NO. - 310151752

PARTS LIST

PAGE 2 OF 2
2/13/95

PART NO. - 310151752

DESCRIPTION - ASSY, FIRE EXT SYSTEM-4 PT U/M - EA

ITEM	PART NO.	DRAWING NO.	DESCRIPTION		QUANTITY	U/M
	AG ASP0400000		WASHER, LOCK	*	4.000	EA
	AH A5A0420008		SCREW, HEX HEAD CAP	*	4.000	EA

- NOTES -
1. PART NO. AT TOP OF PAGE INDICATES COMPLETE ASSY.
 2. FOR PARTS ILLUSTRATION SEE DWG NO. 33-015-0411.

STAMLER CORPORATION
MILLERSBURG, KENTUCKY

*** LAST PAGE ***

PARTS LIST,
ASSY, FIRE EXT SYSTEM-4 PT

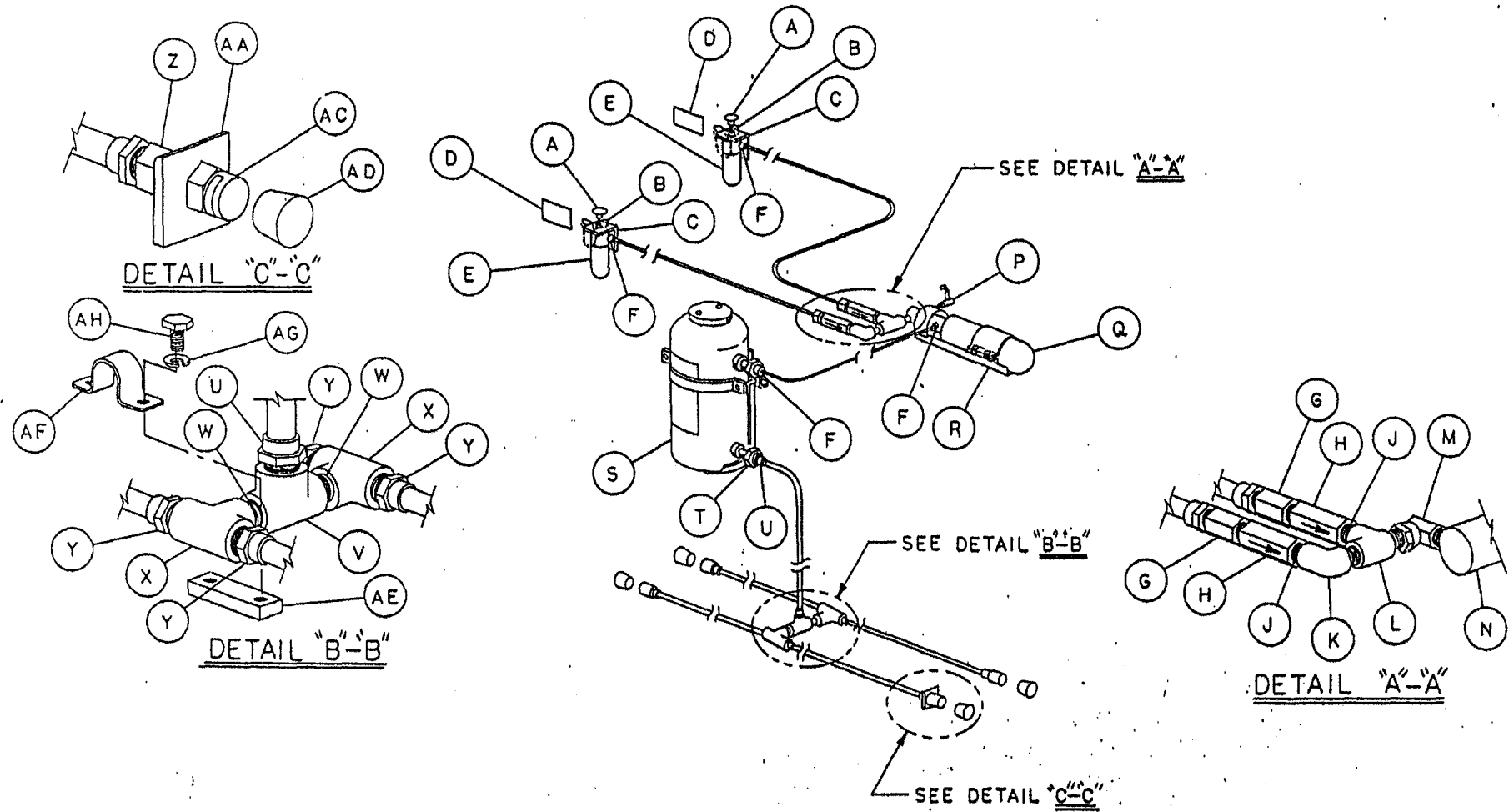
DATE DRWN BY DRAWING NO.
7/23/84 DH 310151752

E.C.N.

3455

REV. B

LAST REVISED
8/06/92



3455	B.
2041	A
E C N	REV

THE W. R. STAMLER CORPORATION
MILLERSBURG, KENTUCKY

PARTS LIST-4 POINT FIRE EXTINGUISHING SYSTEM

DESIGN APP BY	WLR
CHECKED BY	CLC
DATE DRAWN	18JUL84
DRAWN BY	DH
DWG. NO.	33-015-0411

BRUNING 40-21 53066