

| B/M Number | Description | Reference | Date | Sheet |
|---------------|--------------------------------|-----------|------------|-------|
| 00712033-6373 | HOSE ENDS & ADAPTERS, DUST SUP | FDE6359 | 02/27/1995 | |

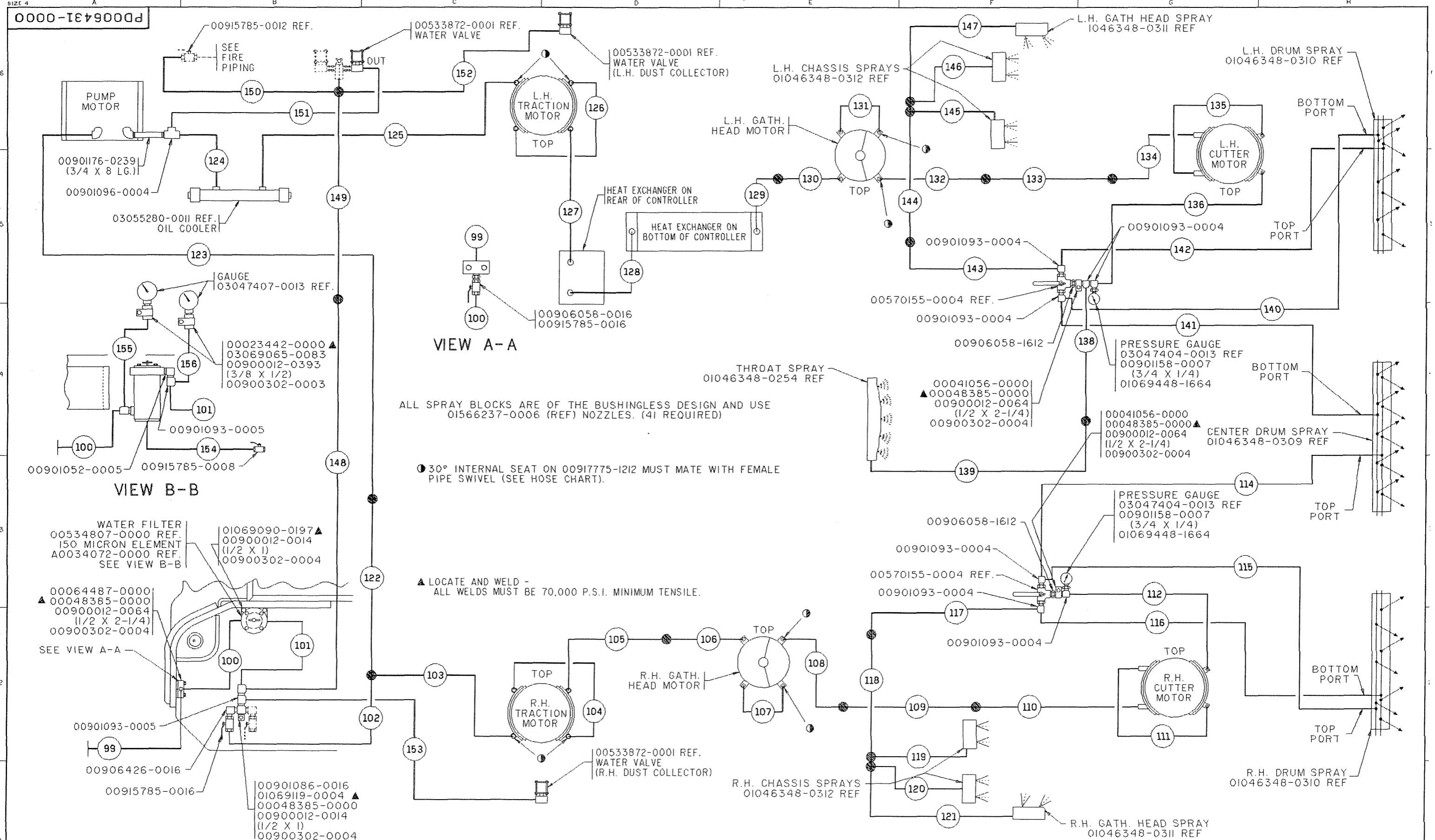
| Qty | UOM | Part Number | Description | Ref No |
|-----|-----|---------------|---|--------|
| 2 | EA | 00900716-0005 | ADAPTER, 1/4 NPTF X 1/4 MPT | 10 |
| 39 | EA | 00900716-0013 | ADAPTER, 1/2 NPTF X 1/2 MPT | 20 |
| 11 | EA | 00900716-0017 | ADAPTER, 3/4 NPTF X 3/4 MPT | 30 |
| 7 | EA | 00900716-0021 | ADAPTER, 1 NPTF X 1 MPT | 40 |
| 1 | EA | 00900716-0031 | ADAPTER, 1 NPTF X 3/4 MPT | 50 |
| 2 | EA | 00900716-1216 | ADAPTER, 3/4 NPTF X 1 MPT | 60 |
| 3 | EA | 00900718-0001 | UNION | 70 |
| 3 | EA | 00900718-0004 | ADAPTER, 1/2 NPTF X 1/2 MPT | 80 |
| 7 | EA | 00900718-0005 | ADAPTER, 3/4 NPTF X 3/4 MPT | 90 |
| 1 | EA | 00900718-0007 | ADAPTER, 1-1/4 NPTF X 1-1/4 MPT | 100 |
| 6 | EA | 00903686-0002 | ADAPTOR | 110 |
| 9 | EA | 00903686-0006 | ELBOW, 90 X 1/2 NPTF X 1/2 MPT | 120 |
| 4 | EA | 00903686-0007 | ADAPTOR, 90 DEG | 130 |
| 10 | EA | 00903686-0008 | ELBOW, 90 X 3/4 NPTF X 3/4 MPT | 140 |
| 2 | EA | 00903686-0010 | ELBOW, 90 X 1 NPTF X 1 MPT | 150 |
| 1 | EA | 00903686-0068 | 90 DEG MALE ADAPTOR | 160 |
| 2 | EA | 00903687-0005 | ADAPTOR, 135, 1"NPT, M, 1"NPSM, F/S | 170 |
| 14 | EA | 00903697-0008 | ELBOW, 90 X 3/4 NPTF X 3/4 MPT | 180 |
| 6 | EA | 00904223-0004 | COUPLING, 1/2 NPTF | 190 |
| 4 | EA | 00904223-0005 | COUPLING, 3/4 NPTF | 200 |
| 14 | EA | 00914402-0044 | FITTING, HOSE, 1/4 MPT, CRIMP, DWB | 210 |
| 62 | EA | 00915895-0088 | FITTING, HOSE, 1/2, MPT, CRIMP, 4 SPIRA | 220 |
| 48 | EA | 00915895-1212 | FITTING, HOSE, 3/4 MPT, CRIMP, 4 SPRIAL | 230 |
| 12 | EA | 00915895-1616 | FITTING, HOSE, 1 MPT, CRIMP, 4 SPIRAL | 240 |
| 2 | EA | 00915895-2020 | FITTING, HOSE, 1-1/4 MPT, CRIMP, 4SPIRA | 250 |
| 8 | EA | 00917775-1212 | NIPPLE, HEX, 3/4 | 260 |

***** End of Bill of Material *****

B/M Number Description Reference Date Sheet
 00712033-6668 HOSE ENDS & ADAPTERS, WATER, D FDE7274 03/27/1995

| Qty | UOM | Part Number | Description | Ref No |
|-----|-----|---------------|---|--------|
| 4 | EA | 00900716-0005 | ADAPTER, 1/4 NPTF X 1/4 MPT | 10 |
| 4 | EA | 00900716-0009 | ADAPTER, 3/8 NPTF X 3/8 MPT | 20 |
| 4 | EA | 00900716-0013 | ADAPTER, 1/2 NPTF X 1/2 MPT | 30 |
| 5 | EA | 00900716-0017 | ADAPTER, 3/4 NPTF X 3/4 MPT | 40 |
| 8 | EA | 00900716-0021 | ADAPTER, 1 NPTF X 1 MPT | 50 |
| 3 | EA | 00900716-0029 | ADAPTER, 3/4 NPTF X 1/2 MPT | 60 |
| 2 | EA | 00900716-0031 | ADAPTER, 1 NPTF X 3/4 MPT | 70 |
| 1 | EA | 00900718-0004 | ADAPTER, 1/2 NPTF X 1/2 MPT | 80 |
| 3 | EA | 00900718-0005 | ADAPTER, 3/4 NPTF X 3/4 MPT | 90 |
| 2 | EA | 00900718-0006 | ADAPTER, 1 NPTF X 1 MPT | 100 |
| 1 | EA | 00901052-0001 | ELBOW, STREET, 90 X 1/4 NPTF X 1/4 NPTF | 110 |
| 1 | EA | 00901052-0002 | ELBOW, STREET, 90 X 3/8 NPTF X 3/8 NPTF | 120 |
| 1 | EA | 00901052-0812 | ELBOW, STREET, 90 X 1/2 NPTF X 3/4 NPTF | 130 |
| 1 | EA | 00901058-0004 | ELBOW, STREET, 45 X 1/4 NPTF | 140 |
| 2 | EA | 00903686-0001 | ADAPTOR, MALE 90 | 150 |
| 4 | EA | 00903686-0005 | ADAPTOR, MALE 90 | 160 |
| 6 | EA | 00903686-0006 | ELBOW, 90 X 1/2 NPTF X 1/2 MPT | 170 |
| 1 | EA | 00903686-0007 | ADAPTOR, 90 DEG | 180 |
| 1 | EA | 00903686-0008 | ELBOW, 90 X 3/4 NPTF X 3/4 MPT | 190 |
| 4 | EA | 00903686-0086 | ELBOW 90DEG SWIVEL | 200 |
| 2 | EA | 00903686-0812 | ELBOW, 90 X 1/2 NPTF X 3/4 MPT | 210 |
| 2 | EA | 00903686-1612 | ELBOW | 220 |
| 2 | EA | 00903687-0001 | ADAPTOR, 135, 1/4"NPT,M, 1/4"NPSM, F/S | 230 |
| 1 | EA | 00903687-0004 | ADAPTOR, 135, 3/4"NPT,M, 3/4"NPSM, F/S | 240 |
| 2 | EA | 00903687-0005 | ADAPTOR, 135, 1"NPT,M, 1"NPSM, F/S | 250 |
| 4 | EA | 00903697-0001 | ADAPTOR | 260 |
| 4 | EA | 00906058-0004 | NIPPLE, HEX, 1/4 NPTF X 1/4 NPTF | 270 |
| 8 | EA | 00914402-0044 | FITTING, HOSE, 1/4 MPT, CRIMP, DWB | 280 |
| 12 | EA | 00914402-0066 | FITTING, HOSE, 3/8 MPT, CRIMP, DWB | 290 |
| 14 | EA | 00915895-0088 | FITTING, HOSE, 1/2, MPT, CRIMP, 4 SPIRA | 300 |
| 18 | EA | 00915895-1212 | FITTING, HOSE, 3/4 MPT, CRIMP, 4 SPRIAL | 310 |
| 12 | EA | 00915895-1616 | FITTING, HOSE, 1 MPT, CRIMP, 4 SPIRAL | 320 |

***** End of Bill of Material *****



VIEW A-A

VIEW B-B

ALL SPRAY BLOCKS ARE OF THE BUSHINGLESS DESIGN AND USE 01566237-0006 (REF) NOZZLES. (41 REQUIRED)

30° INTERNAL SEAT ON 00917775-1212 MUST MATE WITH FEMALE PIPE SWIVEL (SEE HOSE CHART).

LOCATE AND WELD - ALL WELDS MUST BE 70,000 P.S.I. MINIMUM TENSILE.

| | | | |
|-----------------------|-----------|----------|----------|
| ENG ORDER @FDE6329 | REVISIONS | @FDE6357 | @FDE7274 |
|-----------------------|-----------|----------|----------|

QAD-QAM DRAWING
MANUAL REVISIONS NOT AUTHORIZED.
UNLESS OTHERWISE NOTED:
ALL DIMENSIONS IN INCHES:
MACHINING DIMENSIONS LIMITED TO:
FRACTIONAL 1/64", ANGULAR 1/2°.
STRUCTURAL DIMENSIONS LIMITED TO ±1/16".
DO NOT SCALE THIS DRAWING.

| | | |
|-----------------|------------|---|
| MATERIAL | PATTERN NO | LITHOPRINT |
| HEAT TREAT | | YES <input checked="" type="checkbox"/> NO <input type="checkbox"/> |
| HARDNESS | | |
| CARBURIZE (ECD) | | |

| FINISH SYMBOLS | |
|----------------|------------------|
| SYMBOL | DESCRIPTION |
| A 4 | PRECISION POLISH |
| B 6 | FINE POLISH |
| C 16 | COMMON POLISH |
| D 32 | GRIND OR EQUAL |
| E 65 | SMOOTH MACHINE |
| F 125 | COMMON MACHINE |
| G 250 | ROUGH MACHINE |
| H 500 | HEAVY ROUGH |
| K 1000 | EX HEAVY ROUGH |

JOY TECHNOLOGIES INC.
FRANKLIN, PENNSYLVANIA 15323

THIS DRAWING AND ALL INFORMATION THEREIN IS THE PROPERTY OF AND CONFIDENTIAL TO JOY TECHNOLOGIES INC. IT MUST NOT BE MADE PUBLIC OR COPIED. IT IS LOANED SUBJECT TO RETURN UPON DEMAND. IS NOT TO BE USED DIRECTLY OR INDIRECTLY IN ANY WAY DETRIMENTAL TO OUR INTEREST.

| | | |
|--------------------------------------|---------------|--------------|
| DIAGRAM. PIPING. DUST SUPPRESSION | | DR. JIM DALY |
| SIMILAR TO PDD06390-0000 | DATE 12-27-94 | |
| REPLACES | CLASS 14CMI5 | |
| REPLACED BY | SCALE NONE | |
| PDD06431-0000 | | |

LOCATION-FITTINGS-HOSE ASSEMBLY

99. WATER SUPPLY TO JUNCTION BLOCK
 00901204-0007 PLUG (1-1/4)
 00904223-0007 COUPLING (1-1/4)
 00900716-0022 UNION (1-1/4 X 1-1/4)
 00918220-0072 HOSE ASS'Y. (DWB AR)
 00903686-1620 UNION (1 X 1-1/4 X 90°)

100. JUNCTION BLOCK TO WATER FILTER
 00900716-0021 UNION (1 X 1)
 00918216-0030 HOSE ASS'Y. (DWB AR)
 00903686-0010 UNION (1 X 1 X 90°)

101. FILTER TO TEE AT HAND VALVE
 00903686-0010 UNION (1 X 1 X 90°)
 00918216-0036 HOSE ASS'Y. (DWB AR)
 00900716-0021 UNION (1 X 1)

102. HAND VALVE TO TEE (LINES 103 & 122)
 00900716-0021 UNION (1 X 1)
 00918216-0036 HOSE ASS'Y. (DWB AR)
 00900716-0021 UNION (1 X 1)
 00901096-0005 TEE (1)

103. TEE (LINES 102 & 122) TO R.H. TRACTION MOTOR
 00903686-1612 UNION (1 X 3/4 X 90°)
 00918212-0108 HOSE ASS'Y. (DWB AR)
 00900716-0017 UNION (3/4 X 3/4)
 00903697-0008 UNION (3/4 X 3/4 X 90°)
 00917775-1212 NIPPLE (3/4 X 3/4)

104. TRACTION MOTOR OUTLET TO TRACTION MOTOR INLET
 00900716-0017 UNION (3/4 X 3/4)
 00918212-0042 HOSE ASS'Y. (DWB AR)
 00900716-0017 UNION (3/4 X 3/4)
 00903697-0008 UNION (3/4 X 3/4 X 90°)
 00917775-1212 NIPPLE (3/4 X 3/4)

105. R.H. TRACTION MOTOR TO UNION (LINE 106)
 00900716-0017 UNION (3/4 X 3/4)
 00918212-0084 HOSE ASS'Y. (DWB AR)
 00900718-0005 UNION (3/4 X 3/4)

106. UNION (LINE 105) TO R.H. GATHERING HEAD MOTOR
 00918212-0030 HOSE ASS'Y. (DWB AR)
 00903697-0008 UNION (3/4 X 3/4 X 90°)
 00901176-0212 NIPPLE (3/4 X 6-1/2 LG.)

LOCATION-FITTINGS-HOSE ASSEMBLY

107. GATHERING HEAD MOTOR OUTLET TO GATHERING HEAD MOTOR INLET
 00901176-0212 NIPPLE (3/4 X 6-1/2 LG.)
 00903697-0008 UNION (3/4 X 3/4 X 90°)
 00918212-0010 HOSE ASS'Y. (DWB AR)
 00900716-0017 UNION (3/4 X 3/4)
 00903697-0008 UNION (3/4 X 3/4 X 90°)
 00917775-1212 NIPPLE (3/4 X 3/4)
 00904223-0005 COUPLING (3/4)
 00901176-0113 NIPPLE (3/4 X 3-1/2 LG.)

108. R.H. GATHERING HEAD MOTOR TO UNION (LINE 109)
 00901176-0113 NIPPLE (3/4 X 3-1/2 LG.)
 00904223-0005 COUPLING (3/4)
 00917775-1212 NIPPLE (3/4 X 3/4)
 00903697-0008 UNION (3/4 X 3/4 X 90°)
 00900716-0017 UNION (3/4 X 3/4)
 00918212-0044 HOSE ASS'Y. (DWB AR)
 00900718-0005 UNION (3/4 X 3/4)

109. UNION (LINE 108) TO UNION (LINE 110)
 00918212-0084 HOSE ASS'Y. (DWB AR)
 00900718-0005 UNION (3/4 X 3/4)

110. UNION (LINE 109) TO R.H. CUTTER MOTOR
 00918212-0120 HOSE ASS'Y. (DWB AR)
 00903687-0004 UNION (3/4 X 3/4 X 45°)

111. CUTTER MOTOR OUTLET TO CUTTER MOTOR INLET
 00903686-0008 UNION (3/4 X 3/4 X 90°)
 00918212-0048 HOSE ASS'Y. (DWB AR)
 00900716-0017 UNION (3/4 X 3/4)

112. R.H. CUTTER MOTOR TO TEE AT 3-WAY VALVE
 00900716-0017 UNION (3/4 X 3/4)
 00918212-0044 HOSE ASS'Y. (DWB AR)
 00900716-0017 UNION (3/4 X 3/4)

114. TEE TO SPRAY BLOCK BEHIND CENTER DRUM
 00903686-0007 UNION (3/4 X 1/2 X 90°)
 00918208-0072 HOSE ASS'Y. (DWB AR)
 00903686-0006 UNION (1/2 X 1/2 X 90°)

LOCATION-FITTINGS-HOSE ASSEMBLY

115. 3-WAY VALVE TO SPRAY BLOCK AT R.H. DRUM
 00903686-0007 UNION (3/4 X 1/2 X 90°)
 00918208-0054 HOSE ASS'Y. (DWB AR)
 00900716-0013 UNION (1/2 X 1/2)

116. TEE AT 3-WAY VALVE TO SPRAY BLOCK AT R.H. DRUM
 00903686-0007 UNION (3/4 X 1/2 X 90°)
 00918208-0054 HOSE ASS'Y. (DWB AR)
 00903686-0006 UNION (1/2 X 1/2 X 90°)

117. TEE AT 3-WAY VALVE TO UNION (LINE 118)
 00900716-0017 UNION (3/4 X 3/4)
 00918212-0120 HOSE ASS'Y. (DWB AR)
 00900718-0005 UNION (3/4 X 3/4)

118. UNION (LINE 117) TO DOUBLE TEE
 00918212-0084 HOSE ASS'Y. (DWB AR)
 00900716-0017 UNION (3/4 X 3/4)
 00901093-0004 TEE (3/4)
 00901096-0004 TEE (3/4)

119. DOUBLE TEE TO SPRAY BLOCK ON TOP OF CHASSIS
 00903686-0007 UNION (3/4 X 1/2 X 90°)
 00918208-0036 HOSE ASS'Y. (DWB AR)
 00900716-0013 UNION (1/2 X 1/2)

120. DOUBLE TEE TO SPRAY BLOCK ON SIDE OF CHASSIS
 00903686-0007 UNION (3/4 X 1/2 X 90°)
 00918208-0018 HOSE ASS'Y. (DWB AR)
 00903687-0003 UNION (1/2 X 1/2 X 45°)

121. DOUBLE TEE TO SPRAY BLOCK ON GATHERING HEAD
 00900716-0029 UNION (3/4 X 1/2)
 00918208-0036 HOSE ASS'Y. (DWB AR)
 00903686-0006 UNION (1/2 X 1/2 X 90°)

122. TEE (LINES 102 & 103) TO UNION (LINE 123)
 00900716-0031 UNION (1 X 3/4)
 00918212-0060 HOSE ASS'Y. (DWB AR)
 00900718-0005 UNION (3/4 X 3/4)

123. UNION (LINE 122) TO PUMP MOTOR
 00918212-0072 HOSE ASS'Y. (DWB AR)
 00900716-0017 UNION (3/4 X 3/4)

LITHOPRINT P0006431-0000 00700080-6245 PARTS COMMON
 00712033-6373 HOSE FITTINGS AND ADAPTERS (MPT CRIMP)
 (ABRASION RESISTANT HOSE ASSEMBLIES)
 ENG ORDER @ FDE6329 REVISIONS @ FDE6357

JOY TECHNOLOGIES INC.
 FRANKLIN, PENNSYLVANIA 16323
 THIS DRAWING AND ALL INFORMATION THEREIN IS THE PROPERTY OF AND CONFIDENTIAL TO JOY TECHNOLOGIES INC. IT MUST NOT BE MADE PUBLIC OR COPIED. IT IS LOANED SUBJECT TO RETURN UPON DEMAND. IS NOT TO BE USED DIRECTLY OR INDIRECTLY IN ANY WAY DETRIMENTAL TO OUR INTEREST.

HOSE CHART.
 DUST SUPPRESSION PIPING
 SIMILAR TO P0006390-0001 DR. JIM DALY
 CHECKED BY DATE 12-28-94
 APPROVED BY CLASS 14CM5
 P0006431-1130 (SHEET 1 of 3)

LOCATION-FITTINGS-HOSE ASSEMBLY

LOCATION-FITTINGS-HOSE ASSEMBLY

LOCATION-FITTINGS-HOSE ASSEMBLY

124. TEE AT PUMP MOTOR TO OIL COOLER
 00903686-0008 UNION (3/4 X 3/4 X 90°)
 00918212-0044 HOSE ASS'Y. (DWB AR)
 00903686-1612 UNION (1 X 3/4 X 90°)

125. OIL COOLER TO L.H. TRACTION MOTOR
 00903686-1612 UNION (1 X 3/4 X 90°)
 00918212-0120 HOSE ASS'Y. (DWB AR)
 00900716-0017 UNION (3/4 X 3/4)
 00903697-0008 UNION (3/4 X 3/4 X 90°)
 00917775-1212 NIPPLE (3/4 X 3/4)

126. TRACTION MOTOR OUTLET TO TRACTION MOTOR INLET
 00900716-0017 UNION (3/4 X 3/4)
 00918212-0042 HOSE ASS'Y. (DWB AR)
 00900716-0017 UNION (3/4 X 3/4)
 00903697-0008 UNION (3/4 X 3/4 X 90°)
 00917775-1212 NIPPLE (3/4 X 3/4)

127. L.H. TRACTION MOTOR TO HEAT EXCHANGER ON REAR OF CONTROLLER
 00900716-0017 UNION (3/4 X 3/4)
 00918212-0024 HOSE ASS'Y. (DWB AR)
 00900716-0017 UNION (3/4 X 3/4)
 00903697-0008 UNION (3/4 X 3/4 X 90°)
 00917775-1212 NIPPLE (3/4 X 3/4)

128. HEAT EXCHANGER ON REAR OF CONTROLLER TO HEAT EXCHANGER ON BOTTOM OF CONTROLLER
 00917775-1212 NIPPLE (3/4 X 3/4)
 00903697-0008 UNION (3/4 X 3/4 X 90°)
 00900716-0017 UNION (3/4 X 3/4)
 00918212-0030 HOSE ASS'Y. (DWB AR)
 00903697-0008 UNION (3/4 X 3/4 X 90°)
 00900716-0017 UNION (3/4 X 3/4)
 00917775-1212 NIPPLE (3/4 X 3/4)

129. HEAT EXCHANGER ON BOTTOM OF CONTROLLER TO UNION (LINE 130)
 00900716-0017 UNION (3/4 X 3/4)
 00918212-0060 HOSE ASS'Y. (DWB AR)
 00900718-0005 UNION (3/4 X 3/4)

130. UNION (LINE 129) TO L.H. GATHERING HEAD MOTOR
 00918212-0030 HOSE ASS'Y. (DWB AR)
 00903697-0008 UNION (3/4 X 3/4 X 90°)
 00901176-0212 NIPPLE (3/4 X 6-1/2 LG.)

131. GATHERING HEAD MOTOR OUTLET TO GATHERING HEAD MOTOR INLET
 00901176-0212 NIPPLE (3/4 X 6-1/2 LG.)
 00903697-0008 UNION (3/4 X 3/4 X 90°)
 00918212-0010 HOSE ASS'Y. (DWB AR)
 00900716-0017 UNION (3/4 X 3/4)
 00903697-0008 UNION (3/4 X 3/4 X 90°)
 00917775-1212 NIPPLE (3/4 X 3/4)
 00904223-0005 COUPLING (3/4)
 00901176-0113 NIPPLE (3/4 X 3-1/2 LG.)

132. L.H. GATHERING HEAD MOTOR TO UNION (LINE 133)
 00901176-0113 NIPPLE (3/4 X 3-1/2 LG.)
 00904223-0005 COUPLING (3/4)
 00917775-1212 NIPPLE (3/4 X 3/4)
 00903697-0008 UNION (3/4 X 3/4 X 90°)
 00900716-0017 UNION (3/4 X 3/4)
 00918212-0044 HOSE ASS'Y. (DWB AR)
 00900718-0005 UNION (3/4 X 3/4)

133. UNION (LINE 132) TO UNION (LINE 134)
 00918212-0084 HOSE ASS'Y. (DWB AR)
 00900718-0005 UNION (3/4 X 3/4)

134. UNION (LINE 133) TO L.H. CUTTER MOTOR
 00918212-0120 HOSE ASS'Y. (DWB AR)
 00903687-0004 UNION (3/4 X 3/4 X 45°)

135. CUTTER MOTOR OUTLET TO CUTTER MOTOR INLET
 00903686-0008 UNION (3/4 X 3/4 X 90°)
 00918212-0048 HOSE ASS'Y. (DWB AR)
 00900716-0017 UNION (3/4 X 3/4)

136. L.H. CUTTER MOTOR TO DOUBLE TEE AT 3-WAY VALVE
 00900716-0017 UNION (3/4 X 3/4)
 00918212-0044 HOSE ASS'Y. (DWB AR)
 00900716-0017 UNION (3/4 X 3/4)

138. TEE AT 3-WAY VALVE TO UNION (LINE 139)
 00900716-0029 UNION (3/4 X 1/2)
 00918208-0032 HOSE ASS'Y. (DWB AR)
 00900718-0004 UNION (1/2 X 1/2)

139. UNION (LINE 138) TO SPRAY BLOCK (THROAT)
 00918208-0060 HOSE ASS'Y. (DWB AR)
 00903686-0006 UNION (1/2 X 1/2 X 90°)

140. 3-WAY VALVE TO SPRAY BLOCK AT L.H. DRUM
 00903686-0007 UNION (3/4 X 1/2 X 90°)
 00918208-0054 HOSE ASS'Y. (DWB AR)
 00900716-0013 UNION (1/2 X 1/2)

141. 3-WAY VALVE TO SPRAY BEHIND CENTER DRUM
 00903686-0007 UNION (3/4 X 1/2 X 90°)
 00918208-0054 HOSE ASS'Y. (DWB AR)
 00900716-0013 UNION (1/2 X 1/2)

142. TEE AT 3-WAY VALVE TO SPRAY BLOCK AT L.H. DRUM
 00903686-0007 UNION (3/4 X 1/2 X 90°)
 00918208-0054 HOSE ASS'Y. (DWB AR)
 00903686-0006 UNION (1/2 X 1/2 X 90°)

143. TEE AT 3-WAY VALVE TO UNION (LINE 144)
 00900716-0017 UNION (3/4 X 3/4)
 00918212-0120 HOSE ASS'Y. (DWB AR)
 00900718-0005 UNION (3/4 X 3/4)

144. UNION (LINE 143) TO DOUBLE TEE
 00918212-0084 HOSE ASS'Y. (DWB AR)
 00900716-0017 UNION (3/4 X 3/4)
 00901093-0004 TEE (3/4)
 00901096-0004 TEE (3/4)

145. DOUBLE TEE TO SPRAY BLOCK ON TOP OF CHASSIS
 00903686-0007 UNION (3/4 X 1/2 X 90°)
 00918208-0044 HOSE ASS'Y. (DWB AR)
 00900716-0013 UNION (1/2 X 1/2)

146. DOUBLE TEE TO SPRAY BLOCK ON SIDE OF CHASSIS
 00903686-0007 UNION (3/4 X 1/2 X 90°)
 00918208-0018 HOSE ASS'Y. (DWB AR)
 00903687-0004 UNION (1/2 X 1/2 X 45°)

147. DOUBLE TEE TO SPRAY BLOCK ON GATHERING HEAD
 00900716-0029 UNION (3/4 X 1/2)
 00918208-0036 HOSE ASS'Y. (DWB AR)
 00903686-0006 UNION (1/2 X 1/2 X 90°)

LITHOPRINT PD006431-0000 00700080-6245 PARTS COMMON
 00712033-6373 HOSE FITTINGS AND ADAPTERS (MPT CRIMP)
 (ABRASION RESISTANT HOSE ASSEMBLIES)

ENG ORDER @ FDE6329 REVISIONS @ FDE6357

JOY TECHNOLOGIES INC.
 FRANKLIN, PENNSYLVANIA 16323

THIS DRAWING AND ALL INFORMATION THEREIN IS THE PROPERTY OF AND CONFIDENTIAL TO JOY TECHNOLOGIES INC. IT MUST NOT BE MADE PUBLIC OR COPIED. IT IS LOANED SUBJECT TO RETURN UPON DEMAND. IS NOT TO BE USED DIRECTLY OR INDIRECTLY IN ANY WAY DETRIMENTAL TO OUR INTEREST.

HOSE CHART.
 DUST SUPPRESSION PIPING

SIMILAR TO PD006390-0001 DR JIM DALY
 CHECKED BY DATE 12-28-94
 APPROVED BY CLASS 14CM5

PD006431-1130
 (SHEET 2 of 3)

| SIZE 3 | | A | B | C | D | E | F |
|--|---|--|---|---------------------------------------|---|--|---|
| 0811-1849000J | | SHEET 3 of 3 | | LOCATION-FITTINGS-HOSE ASSEMBLY | | LOCATION-FITTINGS-HOSE ASSEMBLY | |
| LOCATION-FITTINGS-HOSE ASSEMBLY | | | | | | | |
| 5 | 148. TEE AT HAND VALVE TO UNION (LINE 149) | | | 156. FILTER OUTLET TO GAGE | | | |
| | 00900716-0021 UNION (1 X 1) | | | 00901158-0010 BUSHING (1 X 1/4) | | | |
| | 00918216-0036 HOSE ASS'Y. (DWB AR) | | | 00903686-0004 UNION (1/4 X 1/4 X 90°) | | | |
| | 00900718-0006 UNION (1 X 1) | | | 00918204-0036 HOSE ASS'Y. (DWB AR) | | | |
| | | | | 00900716-0005 UNION (1/4 X 1/4) | | | |
| | 149. UNION (LINE 148) TO TEE AT WATER PILOT VALVES | | | | | | |
| | 00918216-0076 HOSE ASS'Y. (DWB AR) | | | | | | |
| | 00900716-0021 UNION (1 X 1) | | | | | | |
| | 00901093-0005 TEE (1) | | | | | | |
| 4 | 150. TEE AT WATER PILOT VALVES TO FIRE HAND VALVE | | | | | | |
| | 00903686-1612 UNION (1 X 3/4 X 90°) | | | | | | |
| | 00918212-0084 HOSE ASS'Y. (DWB AR) | | | | | | |
| | 00903686-0008 UNION (3/4 X 3/4 X 90°) | | | | | | |
| | 151. WATER VALVE TO TEE AT PUMP MOTOR (LINE 124) | | | | | | |
| | 00901052-0005 ELBOW (1 X 1 X 90°) | | | | | | |
| | 00903686-0010 UNION (1 X 1 X 90°) | | | | | | |
| | 00918216-0028 HOSE ASS'Y. (DWB AR) | | | | | | |
| | 00903686-0009 UNION (3/4 X 1 X 90°) | | | | | | |
| 3 | 152. TEE AT PILOT VALVES TO L.H. DUST COLLECTOR PILOT VALVE | | | | | | |
| | 00903686-0010 UNION (1 X 1 X 90°) | | | | | | |
| | 00918216-0060 HOSE ASS'Y. (DWB AR) | | | | | | |
| | 00903686-0010 UNION (1 X 1 X 90°) | | | | | | |
| | 153. TEE AT HAND VALVES TO R.H. DUST COLLECTOR PILOT VALVE | | | | | | |
| | 00903686-0010 UNION (1 X 1 X 90°) | | | | | | |
| | 00918216-0060 HOSE ASS'Y. (DWB AR) | | | | | | |
| | 00903686-0010 UNION (1 X 1 X 90°) | | | | | | |
| 2 | 154. WATER FILTER TO HAND VALVE (WASH DOWN) | | | | | | |
| | 00903686-0006 UNION (1/2 X 1/2 X 90°) | | | | | | |
| | 00918208-0060 HOSE ASS'Y. (DWB AR) | | | | | | |
| | 00900716-0013 UNION (1/2 X 1/2) | | | | | | |
| 1 | 155. FILTER INLET TO GAGE | | | | | | |
| | 00901158-0010 BUSHING (1 X 1/4) | | | | | | |
| | 00903686-0004 UNION (1/4 X 1/4 X 90°) | | | | | | |
| | 00918204-0044 HOSE ASS'Y. (DWB AR) | | | | | | |
| | 00900716-0005 UNION (1/4 X 1/4) | | | | | | |
| LITHOPRINT | | PD006431-0000 | | 00700080-6245 PARTS COMMON | | JOY TECHNOLOGIES INC. | |
| CAD/CAM DRAWING MANUAL REVISIONS NOT AUTHORIZED. | | 00712033-6373 HOSE FITTINGS AND ADAPTERS (MPT CRIMP) | | (ABRASION RESISTANT HOSE ASSEMBLIES) | | FRANKLIN, PENNSYLVANIA 16323 | |
| ENG ORDER @ FDE6329 | | REVISIONS | | | | HOSE CHART. DUST SUPPRESSION PIPING | |
| | | | | | | SIMILAR TO PD006390-0001 | |
| | | | | | | DR. JIM DALY | |
| | | | | | | DATE 12-28-94 | |
| | | | | | | CLASS 14CM5 | |
| | | | | | | PD006431-1130 | |
| | | | | | | (SHEET 3 of 3) | |

THIS DRAWING AND ALL INFORMATION THEREIN IS THE PROPERTY OF AND CONFIDENTIAL TO JOY TECHNOLOGIES INC. IT MUST NOT BE MADE PUBLIC OR COPIED IT IS LOANED SUBJECT TO RETURN UPON DEMAND. IS NOT TO BE USED DIRECTLY OR INDIRECTLY IN ANY WAY DETRIMENTAL TO OUR INTEREST.

CHECKED BY _____
APPROVED BY _____

DATE 12-28-94
CLASS 14CM5

PD006431-1130
(SHEET 3 of 3)

| B/M Number | Description | Reference | Date | Sheet |
|---------------|------------------------|-----------|------------|-------|
| 00700080-6245 | DUST SUPPRESSION PARTS | FDE6329 | 01/04/1995 | |

| Qty | UOM | Part Number | Description | Ref No |
|-----|-----|---------------|-------------------------------------|--------|
| 2 | EA | 00040770-0000 | BOSS | 10 |
| 4 | EA | 00048385-0000 | BLOCK | 20 |
| 2 | EA | 00064487-0000 | COUPLING | 30 |
| 4 | EA | 00900012-0014 | SCREW, CAP, GR. 5, 1/2-13 X 1 | 40 |
| 2 | EA | 00900012-0064 | SCREW, CAP, GR. 5, 1/2-13 X 2-1/4 | 50 |
| 2 | EA | 00900012-0074 | SCREW, CAP, GR. 5, 1/2-13 X 2-1/2 | 60 |
| 8 | EA | 00900302-0004 | WASHER, LOCK, 1/2 | 70 |
| 1 | EA | 00901052-0005 | ELBOW, STREET, 90 X 1 NPTF X 1 NPTF | 80 |
| 3 | EA | 00901086-0016 | TEE, 1 NPTF | 90 |
| 8 | EA | 00901093-0003 | TEE, SERVICE, 1/2 NPTF | 100 |
| 4 | EA | 00901093-0004 | TEE, SERVICE, 3/4 NPTF | 110 |
| 6 | EA | 00901093-0005 | TEE, SERVICE, 1 NPTF | 120 |
| 4 | EA | 00901096-0003 | TEE, 1/2 NPTF | 130 |
| 2 | EA | 00901096-0004 | TEE, 3/4 NPTF | 140 |
| 1 | EA | 00901096-0005 | TEE, 1 NPTF | 150 |
| 1 | EA | 00901158-0005 | BUSHING, 1/2 NPT X 1/4 NPT | 160 |
| 2 | EA | 00901158-0007 | BUSHING, 3/4 NPT X 1/4 NPT | 170 |
| 1 | EA | 00901158-0010 | BUSHING, 1 NPT X 1/4 NPT | 180 |
| 6 | EA | 00901158-0012 | BUSHING, 1 NPT X 1/2 NPT | 190 |
| 4 | EA | 00901158-0013 | BUSHING, 1 NPT X 3/4 NPT | 200 |
| 1 | EA | 00901158-0017 | BUSHING, 1-1/4 NPT X 1 NPT | 210 |
| 1 | EA | 00901176-0051 | NIPPLE, XS, 1 X 1-1/2 LG | 220 |
| 1 | EA | 00901176-0158 | NIPPLE, XS, 3/4 X 4-3/4 LG. | 230 |
| 4 | EA | 00901176-0212 | NIPPLE, XS, 3/4 X 6-1/2 LG | 240 |
| 8 | EA | 00901176-0221 | NIPPLE, XS, 3/4 X 7 LG | 250 |
| 1 | EA | 00901204-0007 | PLUG, SQ. HD., 1-1/4 NPT | 260 |
| 1 | EA | 00904223-0002 | COUPLING, 1/4 NPTF | 270 |
| 6 | EA | 00904223-0004 | COUPLING, 1/2 NPTF | 280 |
| 4 | EA | 00904223-0005 | COUPLING, 3/4 NPTF | 290 |
| 1 | EA | 00906058-0004 | NIPPLE, HEX, 1/4 NPTF X 1/4 NPTF | 300 |
| 1 | EA | 00906310-0016 | ELBOW, 90 X 1 NPTF X 1 NPTF | 310 |
| 1 | EA | 00910618-0020 | PLUG, 1-1/4 "O" | 320 |
| 1 | EA | 00910623-2016 | ADAPTER, 1-1/4 "O" X 1 NPTF | 330 |
| 9 | M | 00913192-0004 | HOSE, #4, DWB | 340 |
| 41 | M | 00913192-0008 | HOSE, #8, DWB | 350 |
| 33 | M | 00913192-0012 | HOSE, #12, DWB | 360 |
| 7 | M | 00913192-0016 | HOSE, #16, DWB | 370 |
| 2 | M | 00913192-0020 | HOSE, #20, DWB | 380 |
| 1 | EA | 00915785-0008 | VALVE, BALL, 1/2 NPT | 390 |
| 1 | EA | 00915785-0016 | VALVE, BALL, 1 NPT | 400 |
| 2 | EA | 01069090-0197 | BOSS | 410 |
| 2 | EA | 01069119-0004 | BRACKET, ANGLE | 420 |
| 2 | EA | 03069065-0083 | BLOCK, HYD. JUNCTION | 430 |

| B/M Number | Description | Reference | Date | Sheet |
|---------------|------------------------|-----------|------|-------|
| 00700080-6245 | DUST SUPPRESSION PARTS | | | |

| Qty | UOM | Part Number | Description | Ref No |
|-----|-----|-------------|-------------|--------|
|-----|-----|-------------|-------------|--------|

***** End of Bill of Material *****

| B/M Number | Description | Reference | Date | Sheet |
|---------------|---------------|-----------|------------|-------|
| 00534807-0000 | FILTER, WATER | FBT0144 | 01/04/1977 | |

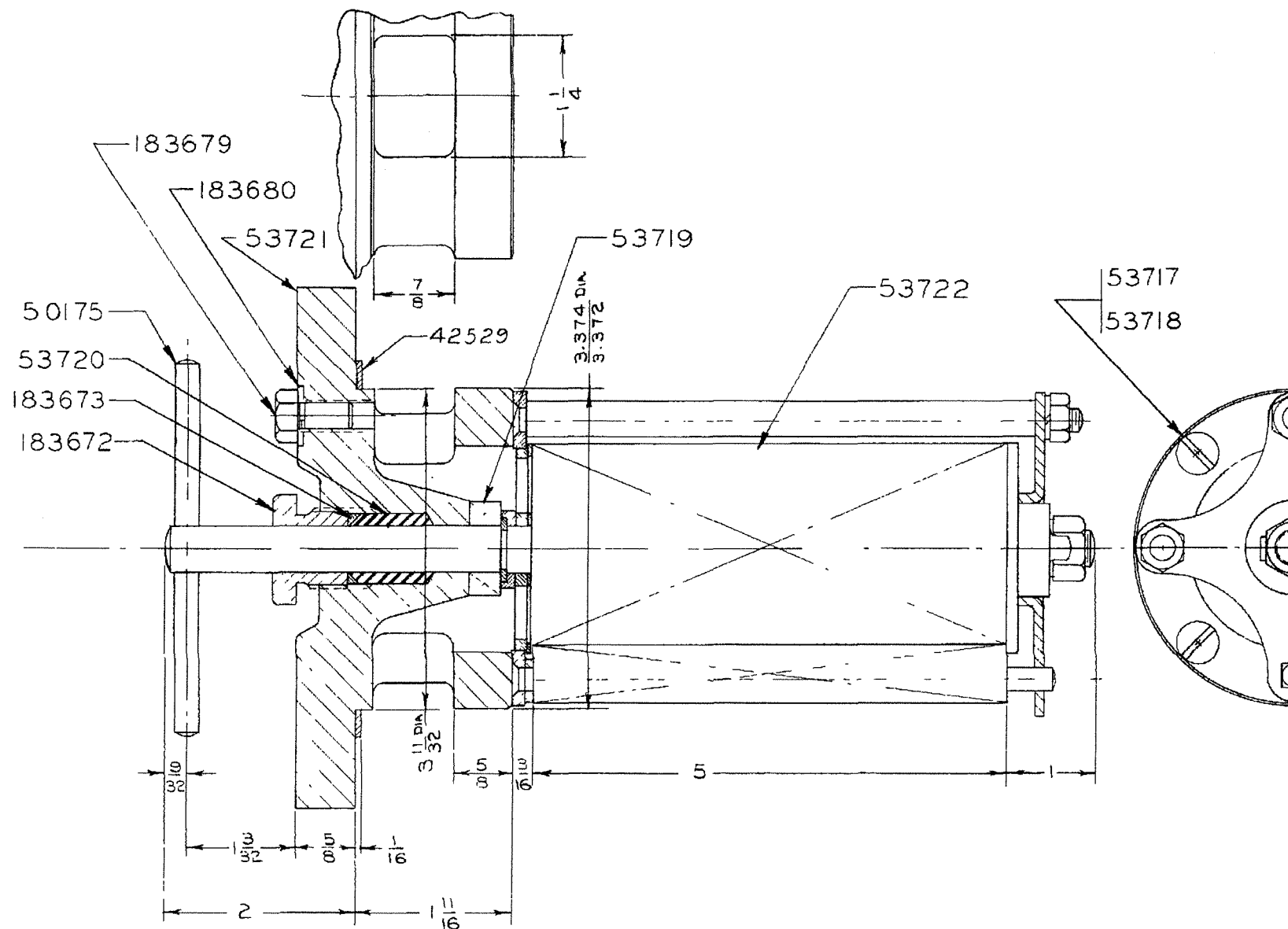
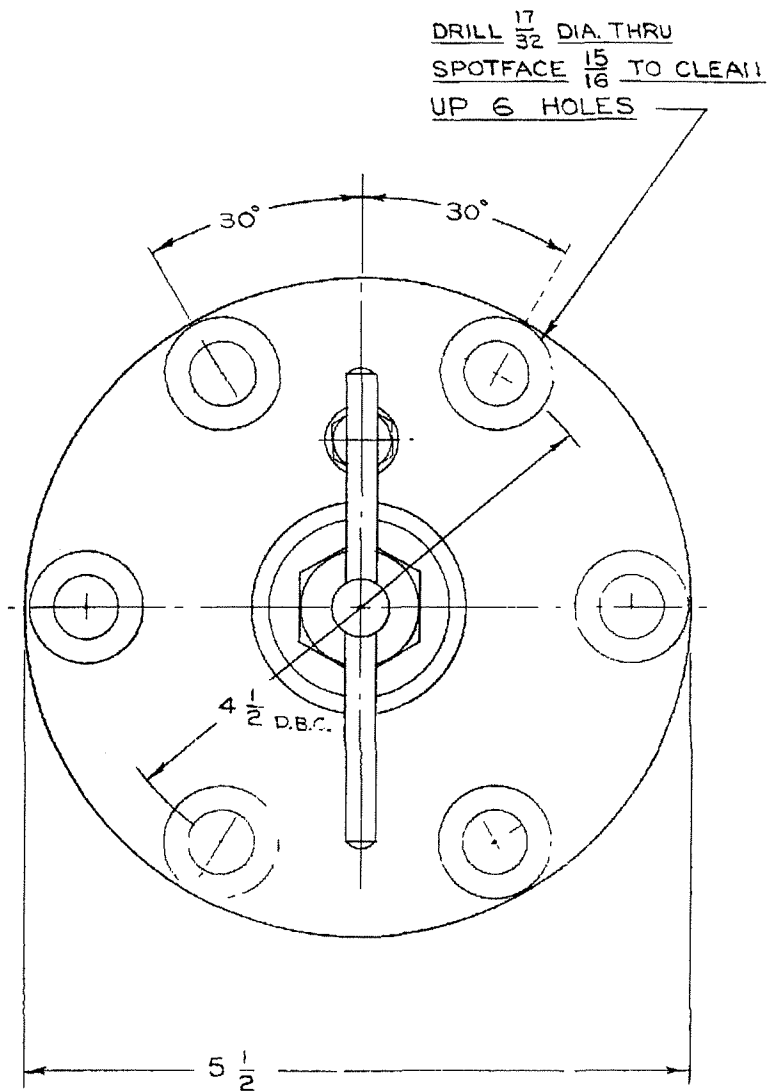
| Qty | UOM | Part Number | Description | Ref No |
|-----|-----|---------------|-----------------------|--------|
| 2 | EA | 00901924-0007 | PLUG HEX SOC 1" NPTF | 10 |
| 1 | EA | 00904224-0006 | HALF COUPLING 1" NPTF | 20 |
| 1 | EA | 01565846-0001 | DETAIL | 30 |
| 1 | EA | 01565846-0002 | DETAIL | 40 |
| 1 | EA | 01565846-0003 | DETAIL | 50 |

***** End of Bill of Material *****

| B/M Number | Description | Reference | Date | Sheet |
|---------------|---------------------|---------------|------------|-------|
| 00533872-0001 | VALVE, PILOT, WATER | 00533872-0001 | | 01 |
| | | FDF5974 | 02/25/1998 | |

| Qty | UOM | Part Number | Description | Ref No |
|-----|-----|---------------|-----------------------------------|--------|
| 1 | EA | 01565750-0056 | BODY | 1 |
| 1 | EA | 01565750-0053 | POPPET | 2 |
| 1 | EA | 01565750-0054 | SCREW, SET | 3 |
| 1 | EA | 01565750-0055 | U-CUP | 4 |
| 2 | EA | 01565750-0016 | SEAL, ROD | 5 |
| 1 | EA | 01565750-0017 | GLAND | 6 |
| 4 | EA | 00900149-0003 | NUT, HEX, JAM, 1/4-20 | 7 |
| 1 | EA | 00910660-0020 | O-RING | 8 |
| 1 | EA | 00902095-0100 | RING, RETAINING | 9 |
| 1 | EA | 00910660-0228 | O-RING | 10 |
| 1 | EA | 01565750-0057 | PISTON, PACKING | 11 |
| 1 | EA | 01069857-0031 | PISTON | 12 |
| 1 | EA | 01565750-0020 | TUBE | 13 |
| 1 | EA | 01565750-0021 | COVER, BLIND END | 14 |
| 1 | EA | 01565750-0022 | ROD, PISTON | 15 |
| 1 | EA | 00900149-0026 | NUT, HEX, JAM, 3/8-24 | 16 |
| 1 | EA | 00905987-0048 | SPRING, DIE | 17 |
| 4 | EA | 00900012-0111 | SCREW, CAP, GR. 5, 1/4-20 X 3-1/2 | 18 |
| 1 | EA | 01565750-0028 | COVER, ROD END | 19 |
| 2 | EA | 01565750-0038 | RING, SNAP | 20 |
| 1 | EA | 00910660-0110 | O-RING | 21 |
| 1 | EA | 01069600-0275 | STRIP, WEAR | 23 |

***** End of Bill of Material *****



MFG. BY THE CUNO ENGINEERING CO.
SPECIFICATIONS:
TYPE "KBT-F" HIGH PRESSURE FILTER
HAVING .015 SPACING OF STAINLESS STEEL
FILTERING ELEMENT WHICH WILL BE 5" LONG
MAX. WORKING PRESSURE 500 # SQ IN. HYDRAULIC

CONFIDENTIAL
NO YES

CONFIDENTIAL
THIS DRAWING IS THE PROPERTY OF JOY MANUFACTURING COMPANY. THE INFORMATION CONTAINED HEREON IS CONFIDENTIAL AND MAY NOT BE COPIED OR MADE PUBLIC, IN WHOLE OR IN PART, AND MUST BE RETURNED UPON REQUEST.

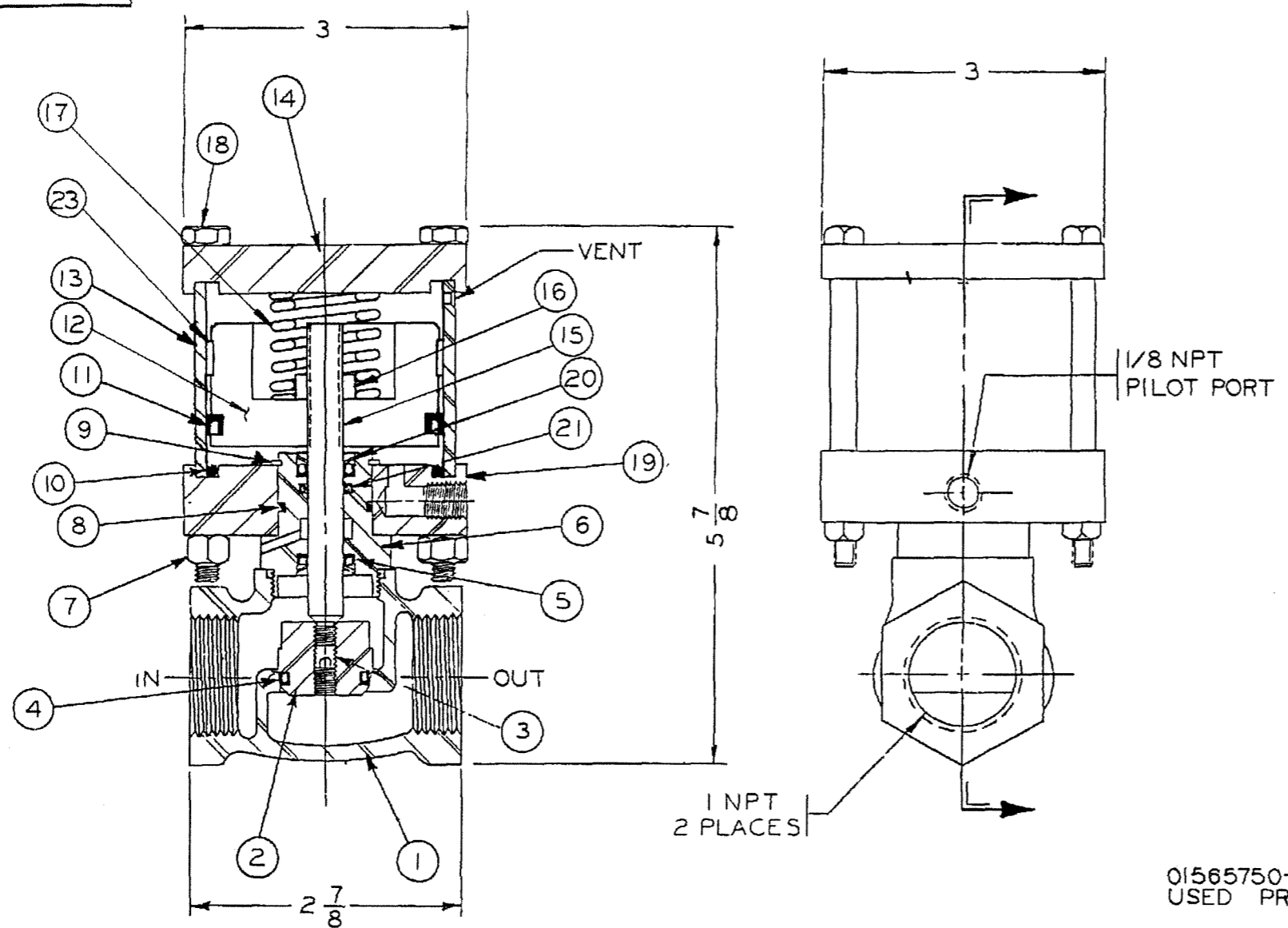
| | | | | | | | | | | | | | |
|---|-----------|-------|--------|----------|----------|----------------|--|-------------|------------|---------------|--------|------------------------------------|--|
| Q995 | REVISIONS | FX884 | FAH552 | ④1021524 | ⑤1034072 | FINISH SYMBOLS | | 1 | ROUGH TOOL | 4 | POLISH | HIGH PRESSURE WATER FILTER | |
| UNLESS OTHERWISE NOTED: ALL DIMENSIONS IN INCHES. FRACTIONAL MACHINING DIMENSIONS LIMITED ± 1/64. DO NOT SCALE THIS DRAWING. | | | | | | CARBURIZE | | 2 | FINE TOOL | | | JOY MANUFACTURING CO. FRANKLIN PA. | |
| | | | | | | PATT. No. | | 3 | GRIND | | | DRAWN <i>[Signature]</i> 4-25-68 | |
| MATERIAL | | | | | | HARDEN | | QUENCH | | SUPERSEDED BY | | CHECKED | |
| HEAT TREAT | | | | | | HARDEN | | QUENCH | | REPLACES | | APPROVED | |
| DRAW | | | | | | HARDNESS | | REPLACED BY | | | | A34072 | |

| B/M Number | Description | Reference | Date | Sheet |
|---------------|--------------------------------|---------------|------------|-------|
| 00533872-0001 | VALVE, PILOT, WATER, DUST COLL | 00533872-0001 | | 01 |
| | | FDF5974 | 02/25/1998 | |

| Qty | UOM | Part Number | Description | Ref No |
|-----|-----|---------------|-----------------------------------|--------|
| 1 | EA | 01565750-0056 | BODY | 1 |
| 1 | EA | 01565750-0053 | POPPET | 2 |
| 1 | EA | 01565750-0054 | SCREW, SET | 3 |
| 1 | EA | 01565750-0055 | U-CUP | 4 |
| 2 | EA | 01565750-0016 | SEAL, ROD | 5 |
| 1 | EA | 01565750-0017 | GLAND | 6 |
| 4 | EA | 00900149-0003 | NUT, HEX, JAM, 1/4-20 | 7 |
| 1 | EA | 00910660-0020 | O-RING | 8 |
| 1 | EA | 00902095-0100 | RING, RETAINING | 9 |
| 1 | EA | 00910660-0228 | O-RING | 10 |
| 1 | EA | 01565750-0057 | PISTON, PACKING | 11 |
| 1 | EA | 01069857-0031 | PISTON | 12 |
| 1 | EA | 01565750-0020 | TUBE | 13 |
| 1 | EA | 01565750-0021 | COVER, BLIND END | 14 |
| 1 | EA | 01565750-0022 | ROD, PISTON | 15 |
| 1 | EA | 00900149-0026 | NUT, HEX, JAM, 3/8-24 | 16 |
| 1 | EA | 00905987-0048 | SPRING, DIE | 17 |
| 4 | EA | 00900012-0111 | SCREW, CAP, GR. 5, 1/4-20 X 3-1/2 | 18 |
| 1 | EA | 01565750-0028 | COVER, ROD END | 19 |
| 2 | EA | 01565750-0038 | RING, SNAP | 20 |
| 1 | EA | 00910660-0110 | O-RING | 21 |
| 1 | EA | 01069600-0275 | STRIP, WEAR | 23 |

***** End of Bill of Material *****

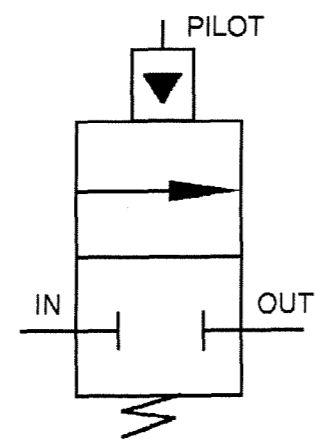
1000-Z7833900



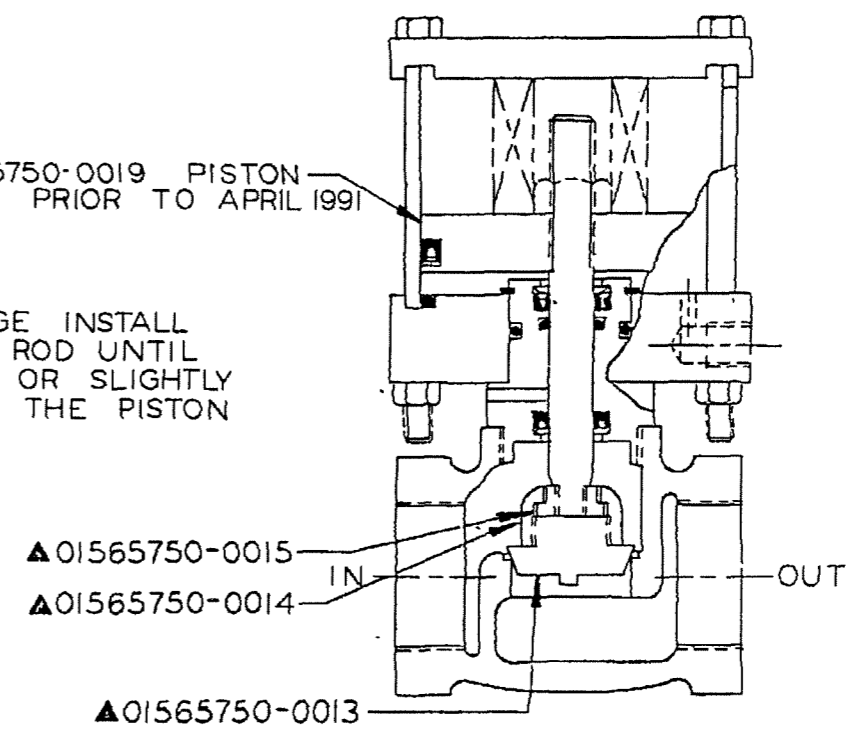
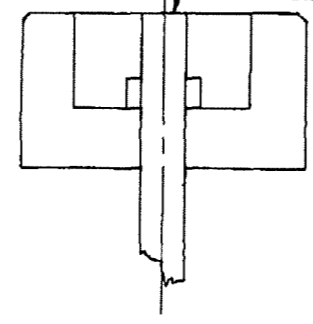
| NO | JOY NUMBER | REQ'D | DESCRIPTION |
|----|---------------|-------|----------------------------|
| 1 | 01565750-0056 | 1 | BODY |
| 2 | 01565750-0053 | 1 | POPPET |
| 3 | 01565750-0054 | 1 | SET SCREW |
| 4 | 01565750-0055 | 1 | U-CUP |
| 5 | 1565750-16 | 2 | ROD PACKING |
| 6 | 1565750-17 | 1 | GLAND |
| 7 | 900149-3 | 4 | NUT |
| 8 | 910660-20 | 1 | O RING (7/8ID x 1OD) |
| 9 | 902095-100 | 1 | SNAP RING |
| 10 | 910660-228 | 1 | O RING (2-1/4ID x 2-1/2OD) |
| 11 | 01565750-0057 | 1 | PISTON PACKING |
| 12 | 01069857-0031 | 1 | PISTON |
| 13 | 1565750-20 | 1 | TUBE |
| 14 | 1565750-21 | 1 | BLIND END COVER |
| 15 | 1565750-22 | 1 | PISTON ROD |
| 16 | 00900149-0026 | 1 | NUT |
| 17 | 905987-48 | 1 | SPRING |
| 18 | 00900012-0111 | 4 | TIE ROD |
| 19 | 1565750-28 | 1 | ROD END COVER |
| 20 | 1565750-38 | 2 | SNAP RING |
| 21 | 910660-110 | 1 | O-RING (3/8ID x 9/16OD) |
| 23 | 01069600-0275 | 1 | STRIP, WEAR |

01565750-0019 PISTON USED PRIOR TO APRIL 1991

USING STRAIGHT EDGE INSTALL PISTON ON PISTON ROD UNTIL ROD IS FLUSH WITH OR SLIGHTLY BELOW THE TOP OF THE PISTON



SCHEMATIC SYMBOL



▲ THESE PARTS USED PRIOR TO SEPT 1987

LITHOPRINT. THIS DRAWING

This drawing and all information thereon is the property of the JOY MANUFACTURING CO. It is confidential and must not be made public or copied. It is loaned subject to return upon demand, is not to be used directly or indirectly in any way detrimental to our interest.

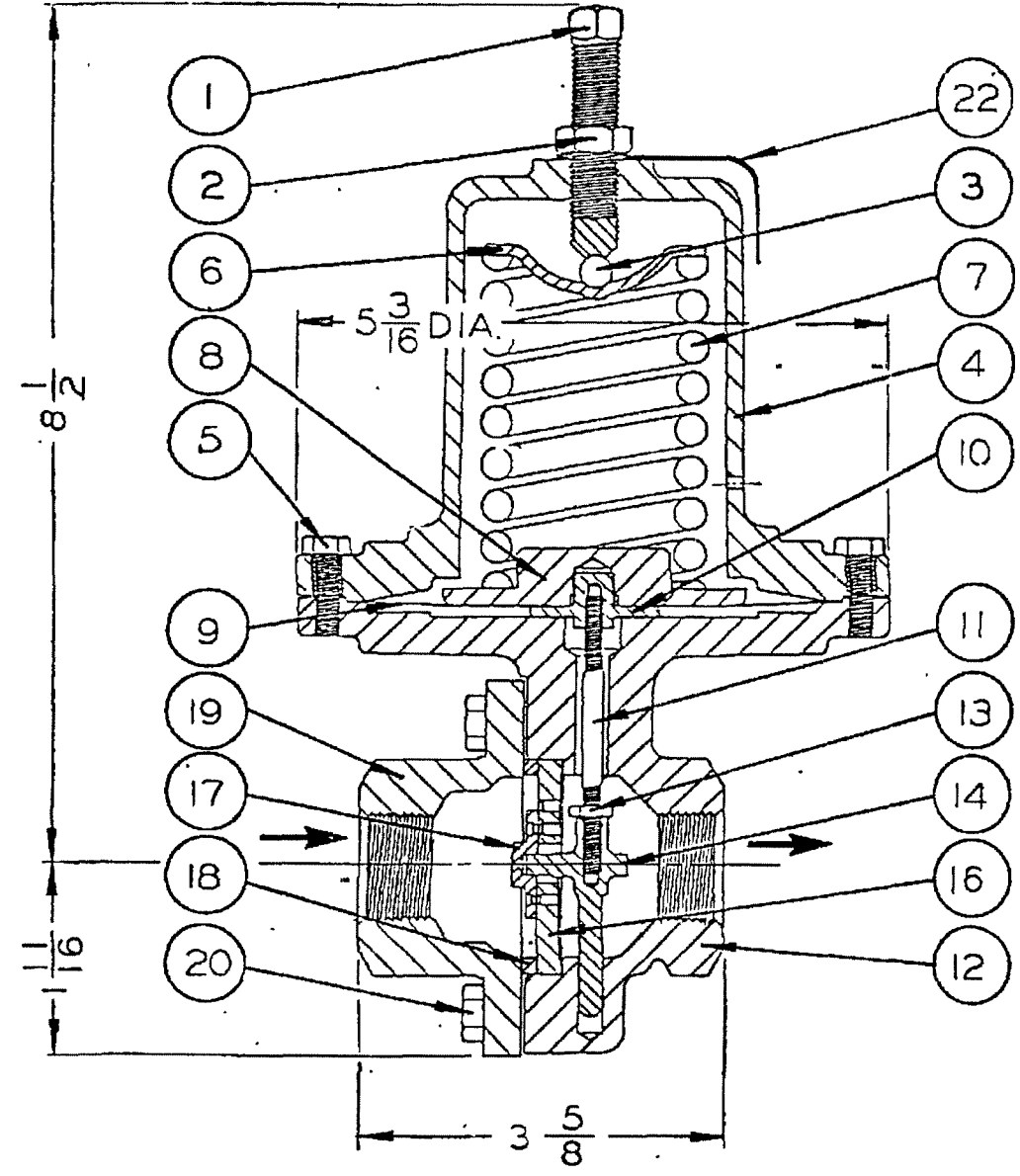
| JOY MANUFACTURING CO. | |
|-----------------------------------|----------------------|
| PLANT LOCATION AS INDICATED BELOW | |
| BIRMINGHAM, AL | LA GRANGE, NC |
| BUFFALO, NY | MICHIGAN CITY, IN |
| CAMBRIDGE, ONT CANADA | NEW PHILADELPHIA, OH |
| CLAREMONT, NH | |
| E. KILBRIDE, SCOTLAND | |
| FRANKLIN, PA | |

2 WAY WATER VALVE N/C

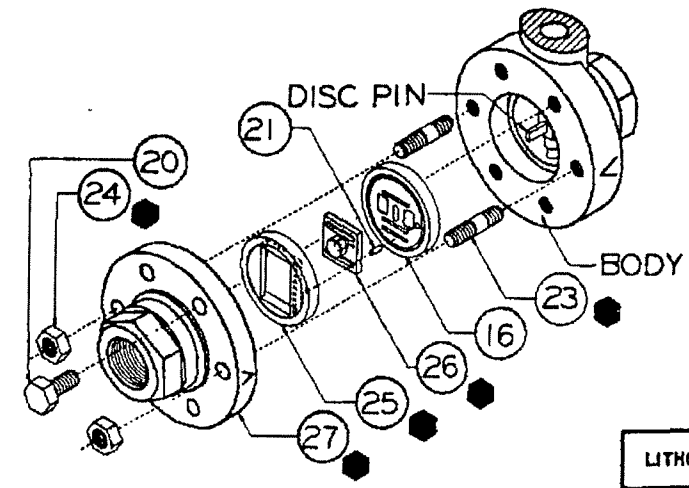
| | | | |
|-----------------------|--------------------------|-------|-------|
| SIMILAR TO | (NAME OR INITIAL & DATE) | SCALE | CLASS |
| SUPERSEDED BY | DR./HOOPER 11/8/73 | | |
| REPLACES 0533872-0007 | TR | | |
| REPLACED BY | CK | | |
| | APP | | |

| | | | | | | | | | | |
|------|----------|---------|-----------|---------|-----------|---------|-----------|---------|-----------|---------|
| DATE | REV. NO. | REV. BY | REV. DATE | REV. BY | REV. DATE | REV. BY | REV. DATE | REV. BY | REV. DATE | REV. BY |
| | | | | | | | | | | |

00533872-0001



| ITEM | DESCRIPTION | REQ'D | PART NO. |
|------|-----------------------|-------|----------------|
| 1 | ADJUSTING SCREW | 1 | 00900119-0103 |
| 2 | LOCKNUT | 1 | 00909988-0009 |
| 3 | BALL BEARING | 1 | 01567470-0022 |
| 4 | SPRING HOUSING | 1 | 01567470-0023 |
| 5 | SPRING HOUSING BOLT | 8 | 00900012-0002 |
| 6 | SPRING SEAT | 1 | 01567470-0025 |
| 7 | SPRING | 1 | 01567470-0026 |
| 8 | UPPER DIAPHRAGM PLATE | 1 | 01567470-0027 |
| 9 | DIAPHRAGM | 2 | 01567470-0028 |
| 10 | LOWER DIAPHRAGM PLATE | 1 | 01567470-0029 |
| 11 | VALVE STEM | 1 | 01567470-0030 |
| 12 | BODY | 1 | 01567470-0031 |
| 13 | STEM LOCKNUT | 1 | 01567470-0032 |
| 14 | DISC PIN | 1 | 01567470-0033 |
| 16 | VALVE PLATE | 1 | 01567470-0034▲ |
| 17 | VALVE DISC | 1 | 01567470-0035▲ |
| 18 | PRESSURE RING | 1 | 01567470-0036▲ |
| 19 | CAP | 1 | 01567470-0037 |
| 20 | CAP SCREW | 8 | 00900012-0003 |
| 21 | INDEX PIN (NOT SHOWN) | 1 | 01567470-0038 |
| 22 | NAME PLATE | 1 | 01567470-0039 |
| 23 | STUD | 2 | 00912183-0002 |
| 24 | LOCKNUT | 2 | 00906951 0006 |
| 25 | GUIDE | 1 | 01069296-0018 |
| 26 | VALVE, SPECIAL | 1 | 01069871-0004 |
| 27 | CAP BOLTED | 1 | 01069140-2012 |



▲ PARTS MARKED THUS ARE AVAILABLE AS SEAT REPAIR KIT 03567470-0040

TO INCREASE THE REDUCER PRESSURE SETTING TURN THE ADJUSTING SCREW (ITEM 1) CLOCKWISE.

BEFORE DISASSEMBLING THE VALVE ALWAYS RELEASE THE TENSION ON THE SPRING.

● PARTS MARKED THUS ARE REQ'D FOR NEW STYLE VALVE WITH NEW DESIGN SLIDING GATE. PARTS FOR BOTH VERSIONS ARE AVAILABLE. VALVES WITH SERIAL NUMBER 120,000 OR HIGHER HAVE THE NEW SEAT ARRANGEMENT.

LITHOPRINT THIS DRAWING

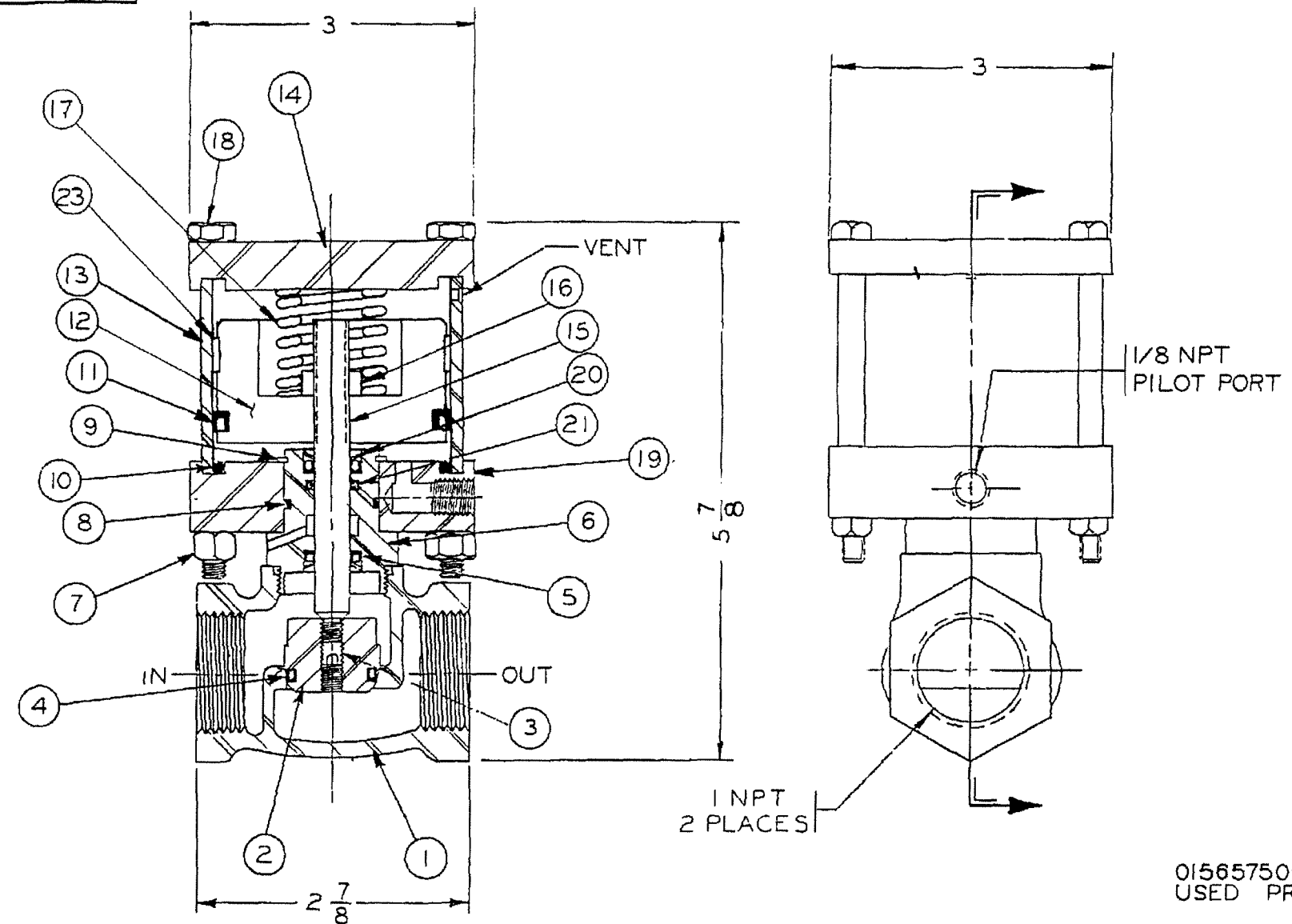
This drawing and all information therein is the property of the JOY MANUFACTURING CO. It is confidential and must not be made public or copied. It is loaned subject to return upon demand, is not to be used directly or indirectly in any way detrimental to our interest.

| JOY MANUFACTURING CO. | |
|-----------------------------------|----------------------|
| PLANT LOCATION AS INDICATED BELOW | |
| BIRMINGHAM, AL | LA GRANGE, NC |
| BUFFALO, NY | MICHIGAN CITY, IN |
| CAMBRIDGE ONT CANADA | NEW PHILADELPHIA, OH |
| CLAREMONT, NH | |
| E. EILBRIDE, SCOTLAND | |
| FRANKLIN, PA | |

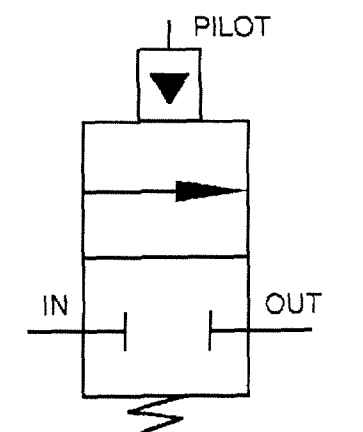
VALVE (PRESSURE REDUCING)

| | | |
|---------------------|--------------------------------|------------------------|
| SIMILAR TO _____ | (NAME OR INITIAL & DATE) _____ | SCALE _____ CLASS 14CM |
| SUPERSEDED BY _____ | TR _____ | 00534428-0002 |
| REPLACES _____ | CK _____ | |
| REPLACED BY _____ | APPD _____ | |

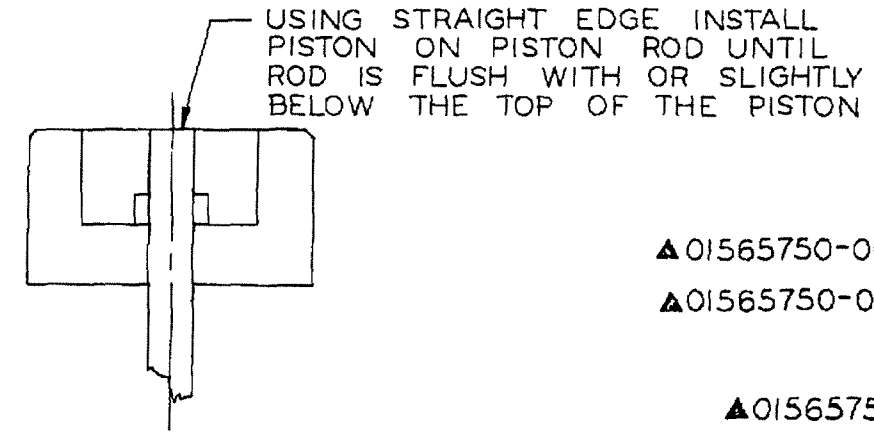
1000-2183872-0001



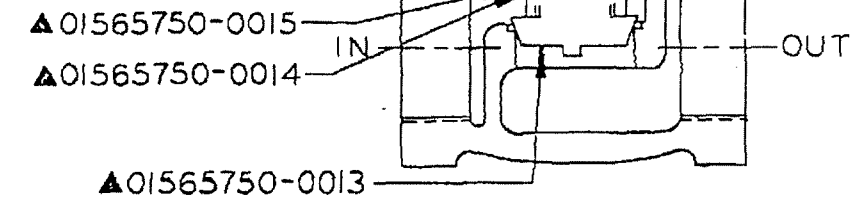
| NO | JOY NUMBER | REQ'D | DESCRIPTION |
|----|---------------|-------|----------------------------|
| 1 | 01565750-0056 | 1 | BODY |
| 2 | 01565750-0053 | 1 | POPPET |
| 3 | 01565750-0054 | 1 | SET SCREW |
| 4 | 01565750-0055 | 1 | U-CUP |
| 5 | 1565750-16 | 2 | ROD PACKING |
| 6 | 1565750-17 | 1 | GLAND |
| 7 | 900149-3 | 4 | NUT |
| 8 | 910660-20 | 1 | O RING (7/8ID x 1OD) |
| 9 | 902095-100 | 1 | SNAP RING |
| 10 | 910660-228 | 1 | O RING (2-1/4ID x 2-1/2OD) |
| 11 | 01565750-0057 | 1 | PISTON PACKING |
| 12 | 01069857-0031 | 1 | PISTON |
| 13 | 1565750-20 | 1 | TUBE |
| 14 | 1565750-21 | 1 | BLIND END COVER |
| 15 | 1565750-22 | 1 | PISTON ROD |
| 16 | 00900149-0026 | 1 | NUT |
| 17 | 905987-48 | 1 | SPRING |
| 18 | 00900012-0111 | 4 | TIE ROD |
| 19 | 1565750-28 | 1 | ROD END COVER |
| 20 | 1565750-38 | 2 | SNAP RING |
| 21 | 910660-110 | 1 | O-RING (3/8ID x 9/16OD) |
| 23 | 01069600-0275 | 1 | STRIP, WEAR |



SCHEMATIC SYMBOL



01565750-0019 PISTON USED PRIOR TO APRIL 1991



▲ THESE PARTS USED PRIOR TO SEPT 1987

LITHOPRINT, THIS DRAWING

REV. FBQ366 DATE

REVISIONS FDC5671 (L) FDF5974
 FCE908 FCF486 FCG83 FCR598 FCX0856 FCY0064 FDA0483 FDA0181 FDC3421

This drawing and all information thereon is the property of the JOY MANUFACTURING CO. It is confidential and must not be made public or copied. It is loaned subject to return upon demand, is not to be used directly or indirectly in any way detrimental to our interest.

| JOY MANUFACTURING CO. | |
|-----------------------------------|---------------------|
| PLANT LOCATION AS INDICATED BELOW | |
| BIRMINGHAM AL | LA GRANGE NC |
| BUFFALO NY | MICHIGAN CITY, IN |
| CANBRIDGE, ONT CANADA | NEW PHILADELPHIA OH |
| CLAREMONT, NH | |
| E. KILBRIDE, SCOTLAND | |
| FRANKLIN, PA | X |

| | | | |
|-----------------------|--------------------------|---------------|-------|
| 2 WAY WATER VALVE N/C | | SCALE | CLASS |
| SIMILAR TO | (NAME OR INITIAL & DATE) | | |
| SUPERSEDED BY | OR DISCOVERED 11/2/73 | | |
| REPLACES 0033872-0007 | TR | | |
| REPLACED BY | CR | | |
| | APPRO | | |
| | | 00533872-0001 | |