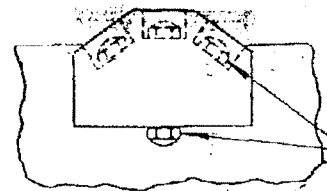
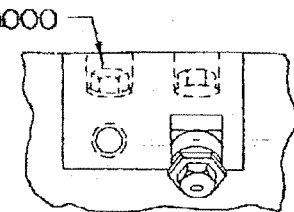


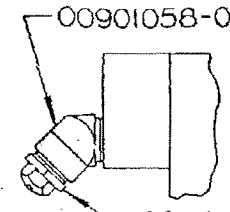
VIEW A-A
FOR MACHINES
WITHOUT FLOODED
BED DUST
COLLECTOR



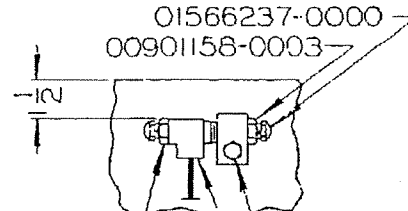
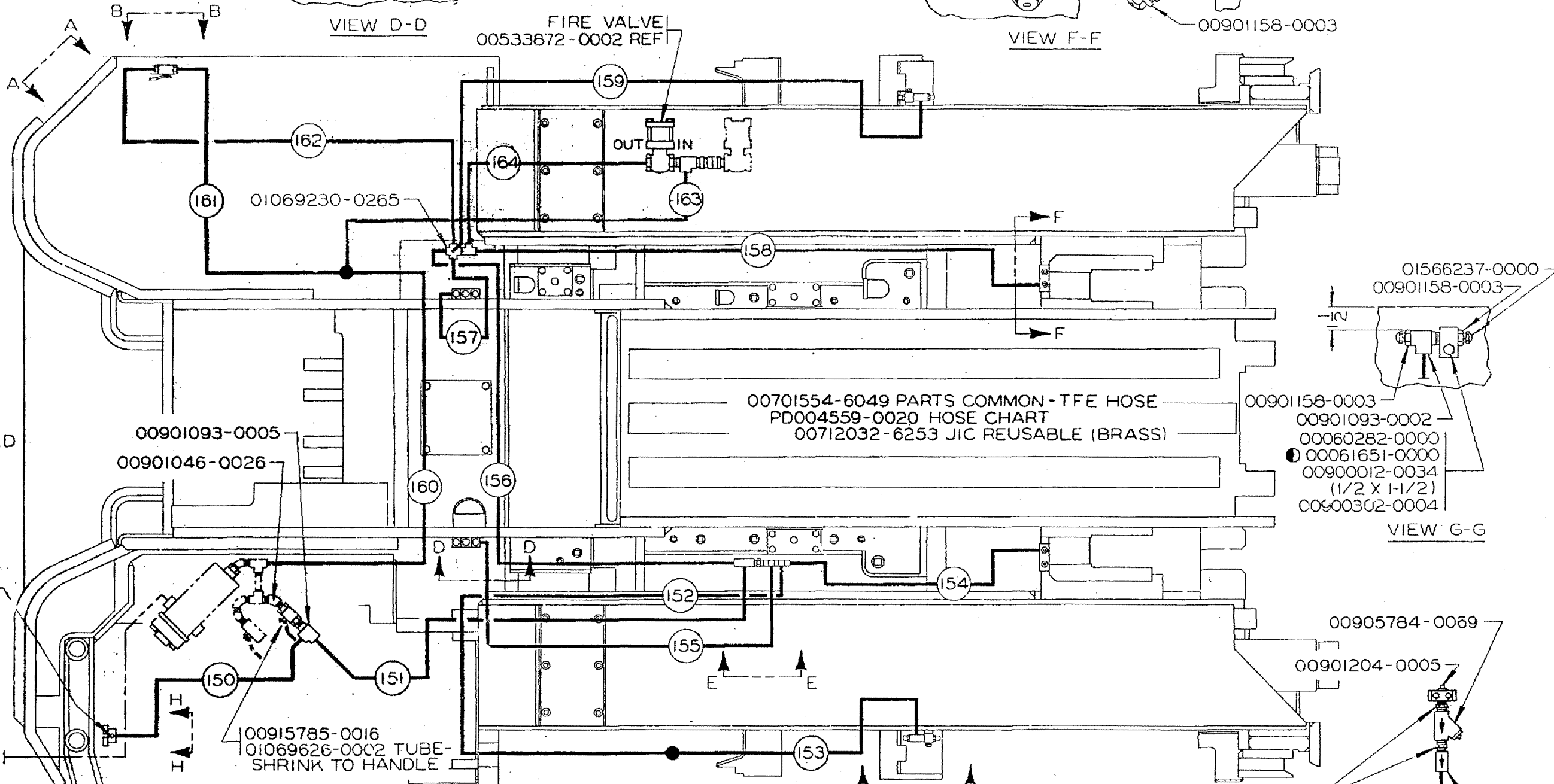
VIEW D-D



VIEW F-F

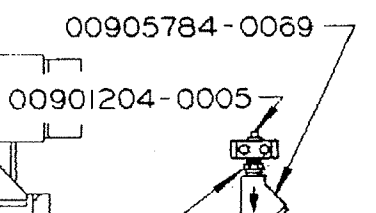


00901158-0003



VIEW G-G

- 00901158-0003
- 00901093-0002
- 00060282-0000
- 00061651-0000
- 00900012-0034 (1/2 X 1-1/2)
- 00900302-0004

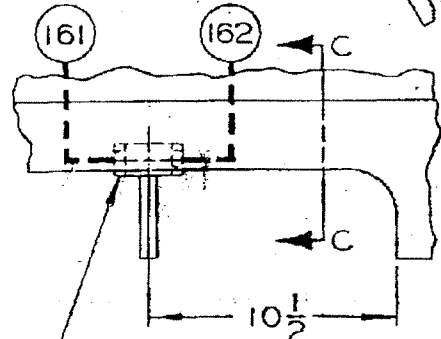


VIEW H-H

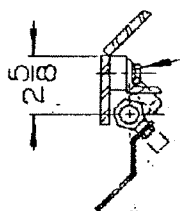
LOCATE AND WELD

- 00060280-0000
 - 00900012-0064 (1/2 X 2-1/4)
 - 00900302-0004
 - 000048385-0000
- LOCATE BLOCK NEAR WATER INLET LINE

WATER INLET

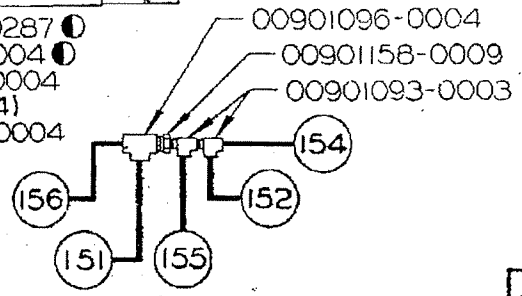


VIEW B-B



SECTION C-C

- 01069090-0287
- 01069119-0004
- 00900012-0004 (1/2 X 3/4)
- 00900302-0004



VIEW E-E

- 00701554-6048 PARTS COMMON PD004559-0001 HOSE CHART 00712034-6154 MPT REUSABLE
- PD004559-0002 HOSE CHART 00712032-6252 JIC REUSABLE

This drawing and all information therein is the property of the JOY MANUFACTURING CO. It is confidential and must not be made public or copied. It is loaned subject to return upon demand, is not to be used directly or indirectly in any way detrimental to our interest.

JOY MANUFACTURING CO.	
PLANT LOCATION AS INDICATED BELOW	
BIRMINGHAM, AL.	LA GRANGE, NC.
BUFFALO, NY.	MICHIGAN CITY, IN.
CAMBRIDGE, ONT., CAN.	NEW PHILADELPHIA, OH.
CLAREMONT, NH.	
EAST KILBRIDE, SCOT.	
FRANKLIN, PA.	

FIRE PROTECTION SYSTEM REMOTE CONTROL MACHINE WITH HIGH CHASSIS	
SIMILAR TO	SCALE CLASS 14CM
SUPERSEDES	DR. JOYLEY 1-89
REPLACES	TR.
REPLACED BY	APPRO.
	PD004559-0000

DATE	REVISIONS	FDC2665	FDC3427
------	-----------	---------	---------

ALL WELDS MUST BE 70, MSF
SHOWING TEMPLATE.

SIZE 3		A	B	C	D	E	F
2000-699000d		SHEET 1 of 1		LOCATION-FITTINGS-HOSE ASSEMBLY		LOCATION-FITTINGS-HOSE ASSEMBLY	
LOCATION-FITTINGS-HOSE ASSEMBLY							
5	150. STRAINER TO TEE AT HAND VALVE 00907264-1212 ELBOW (3/4T X 3/4 X 45°) 00915812-0060 HOSE ASS'Y. (SWB) 00907254-1216 ELBOW (3/4T X 1 X 90°)			158. CROSS TO SPRAY BLOCK 00907264-0812 ELBOW (1/2T X 3/4 X 45°) 00915808-0104 HOSE ASS'Y. (SWB) 00907254-0086 ELBOW (1/2T X 3/8 X 90°)			
	151. TEE AT HAND VALVE TO TEE 00907264-1216 ELBOW (3/4T X 1 X 45°) 00915812-0064 HOSE ASS'Y. (SWB) 00907234-1212 ADAPTER (3/4T X 3/4)			159. CROSS TO TEE AT SPRAY NOZZLES 00907254-0812 ELBOW (1/2T X 3/4 X 90°) 00915808-0112 HOSE ASS'Y. (SWB) 00907254-0086 ELBOW (1/2T X 3/8 X 90°)			
4	152. TEE TO TEE UNION (LINE 153) 00907254-0088 ELBOW (1/2T X 1/2 X 90°) 00915808-0100 HOSE ASS'Y. (SWB) 00905457-0008 UNION (1/2T X 1/2T)			160. TEE AT FILTER TO TEE (LINES 161 & 163) 00907264-1616 ELBOW (1T X 1 X 45°) 00915816-0078 HOSE ASS'Y. (SWB) 00907234-1616 ADAPTER (1T X 1) 00901096-0005 TEE (1)			
	153. UNION (LINE 152) TO TEE AT SPRAY NOZZLES 00915808-0068 HOSE ASS'Y. (SWB) 00907254-0086 ELBOW (1/2T X 3/8 X 90°)			161. TEE (LINES 160 & 163) TO HAND VALVE 00907254-1216 ELBOW (3/4T X 1 X 90°) 00915812-0072 HOSE ASS'Y. (SWB) 00907254-1212 ELBOW (3/4T X 3/4 X 90°)			
3	154. TEE TO SPRAY BLOCK 00907264-0088 ELBOW (1/2T X 1/2 X 45°) 00915808-0046 HOSE ASS'Y. (SWB) 00907254-0086 ELBOW (1/2T X 3/8 X 90°)			162. HAND VALVE TO CROSS 00907254-1212 ELBOW (3/4T X 3/4 X 90°) 00915812-0084 HOSE ASS'Y. (SWB) 00907234-1212 ADAPTER (3/4T X 3/4)			
	155. TEE TO SPRAY BLOCK 00907254-0088 ELBOW (1/2T X 1/2 X 90°) 00915808-0038 HOSE ASS'Y. (SWB) 00907254-0086 ELBOW (1/2T X 3/8 X 90°)			163. TEE (LINES 160 & 161) TO TEE AT FIRE VALVE 00907234-1616 ADAPTER (1T X 1) 00915816-0060 HOSE ASS'Y. (SWB) 00907254-1616 ELBOW (1T X 1 X 90°)			
2	156. TEE TO CROSS 00907254-1212 ELBOW (3/4T X 3/4 X 90°) 00915812-0100 HOSE ASS'Y. (SWB) 00907234-1212 ADAPTER (3/4T X 3/4)			164. FIRE VALVE TO TEE AT CROSS 00907234-1216 ADAPTER (3/4T X 1) 00915812-0050 HOSE ASS'Y. (SWB) 00907234-1212 ADAPTER (3/4T X 3/4) 00901093-0004 TEE (3/4)			
	157. CROSS TO SPRAY BLOCK 00907254-0812 ELBOW (1/2T X 3/4 X 90°) 00915808-0030 HOSE ASS'Y. (SWB) 00907234-0086 ADAPTER (1/2T X 3/8)						

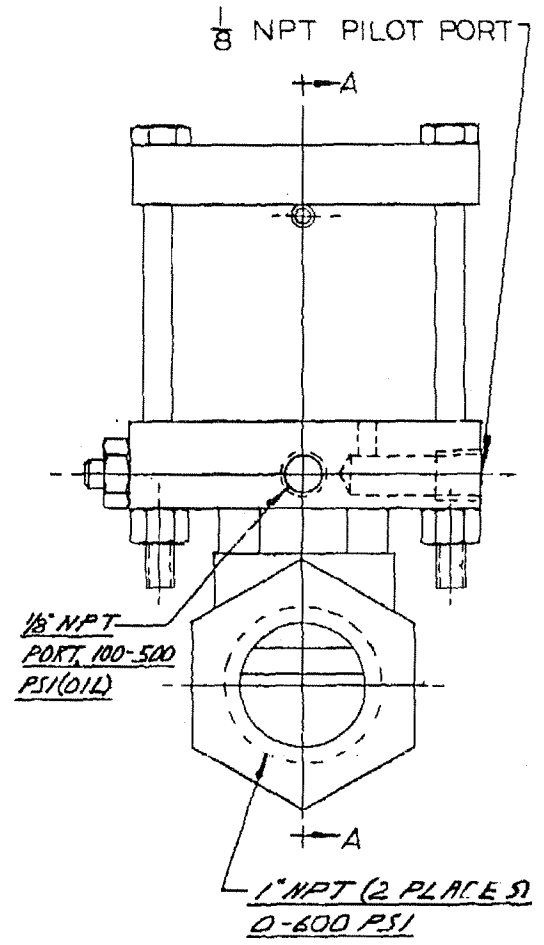
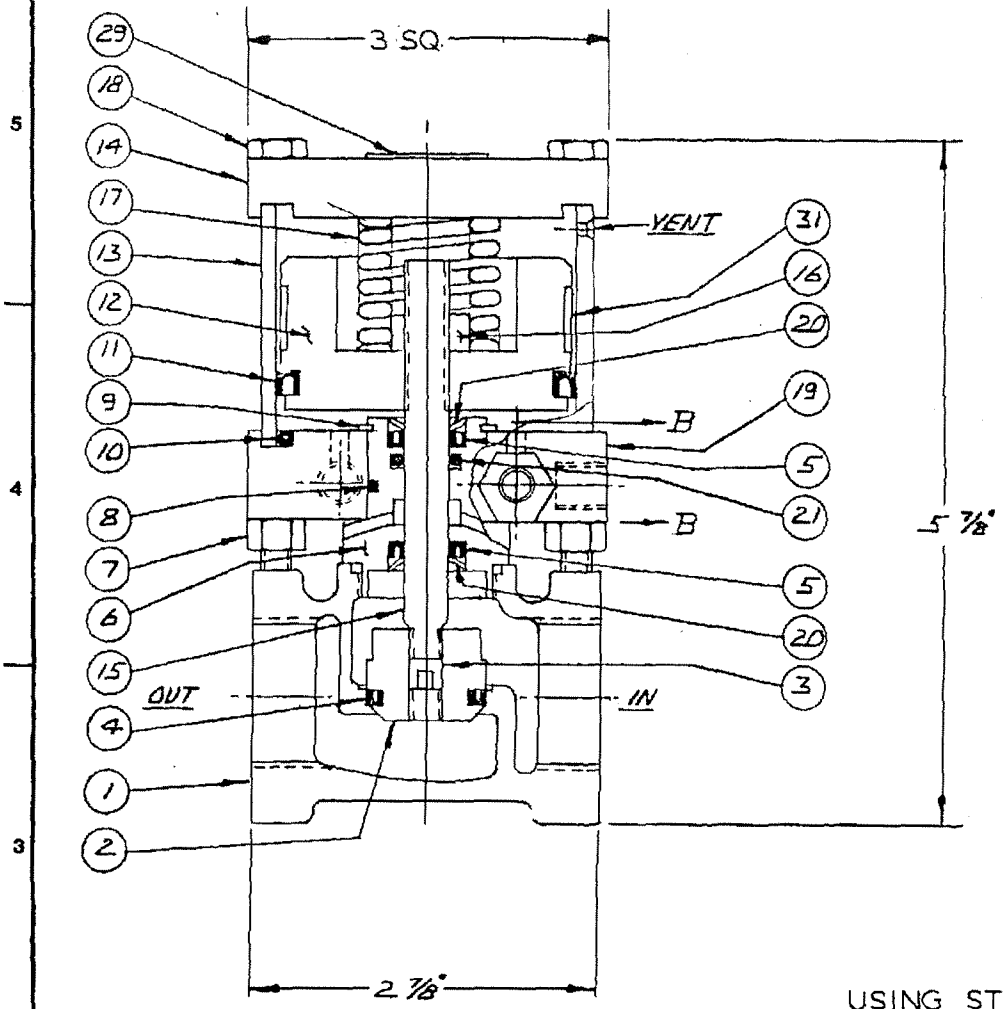
LITHOPRINT	PD004559-0000	00701554-6048 PARTS COMMON		JOY TECHNOLOGIES INC. FRANKLIN, PENNSYLVANIA 16323		HOSE CHART (FIRE PROTECTION CIRCUIT)	
CAD/CAM DRAWING MANUAL REVISIONS NOT AUTHORIZED.	00712032-6252 HOSE FITTINGS AND ADAPTERS (JIC REUSABLE)			THIS DRAWING AND ALL INFORMATION THEREIN IS THE PROPERTY OF AND CONFIDENTIAL TO JOY TECHNOLOGIES INC. IT MUST NOT BE MADE PUBLIC OR COPIED. IT IS LOANED SUBJECT TO RETURN UPON DEMAND. IS NOT TO BE USED DIRECTLY OR INDIRECTLY IN ANY WAY DETRI- MENTAL TO OUR INTEREST.		SIMILAR TO PD003810-0002	DR RANDY JOLLEY DATE 01-26-89 CLASS 14CM09
ENG ORDER	FDC0630	REVISIONS	FDC2665	FDC3427		APPROVED BY	PD004559-0002 (SHEET 1 of 1)
A	B	C	D	E	F		

B/M NUMBER	DESCRIPTION	INCHES	REFERENCE	DATE
00533872 0002	VALVE, WATER, 2-WAY		00533872 0002 01	
	REPLACES	REPLC BY	FDE0260	05/03/93
	REPLACES00533872 0008	REPLC BY		
	BILL OF MATERIAL FOR REPAIR REFERENCE			
	(ITEMS 23 AND 24 ARE SUPPLIED ONLY			
	IN PIN ASSEMBLY 03069434 0350 ITEM			
	NO. 22)			

QTY	G/P	PART NUMBER	DESCRIPTION	REF NO
4		00900042 0111	SCREW, CAP, GR. 8, 1/4-20 X 3-1/2	18
4		00900149 0003	NUT, HEX, JAM, 1/4-20	7
1		00900149 0026	NUT, HEX, JAM, 3/8-24	16
1		00900572 0005	BALL, GR. 50, 1/4	26
1		00901204 0002	PLUG, SQ. HD., 1/4 NPT	29
2		00902095 0025	RING, RETAINING	20
1		00902095 0100	RING, RETAINING	9
1		00905987 0048	SPRING, DIE	17
1		00906201 0048	SCREW, SET, 5/16-24 X 3/8	28
1		00910660 0020	O-RING	8
1		00910660 0110	O-RING	21
1		00910660 0228	O-RING	10
1		01069600 0275	STRIP, WEAR	31
1		01069857 0031	PISTON	12
2		01565750 0016	PISTON	5
1		01565750 0017	GLAND	6
1		01565750 0020	TUBE	13
1		01565750 0021	COVER, BLIND END	14
1		01565750 0022	ROD, PISTON	15
1		01565750 0023	COVER, ROD END	19
1		01565750 0026	SPRING	25
1		01565750 0027	SPRING	27
1		01565750 0053	POPPET	2
1		01565750 0054	SCREW, SET	3
1		01565750 0055	U-CUP	4
1		01565750 0056	BODY	1
1		01565750 0057	PISTON, PACKING	11
1		03069434 0350	PIN, SPECIAL	22

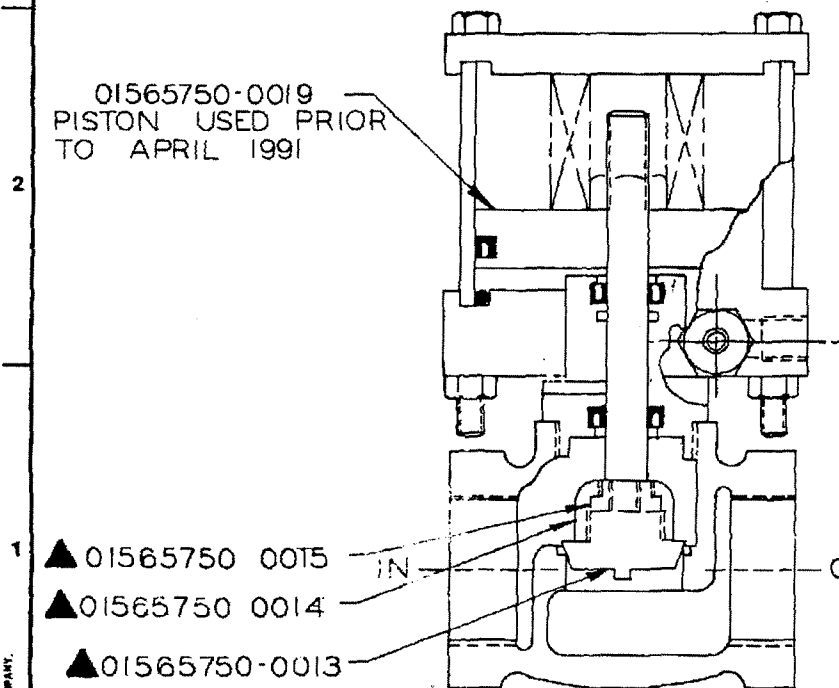
***** END OF B/M PRINT *****

00533872-0002

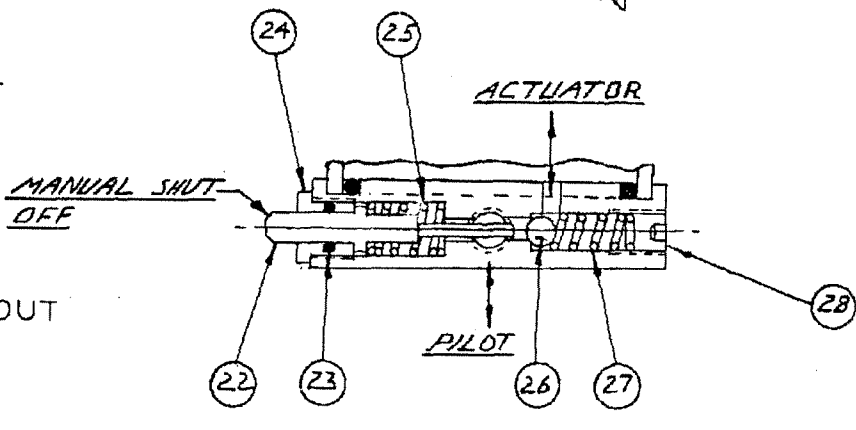


▲ THESE PARTS USED PRIOR TO SEPT. 1987.

ITEMS 23 & 24 ARE SUPPLIED ONLY IN PIN ASSEMBLY 03069434-0350, ITEM 22.



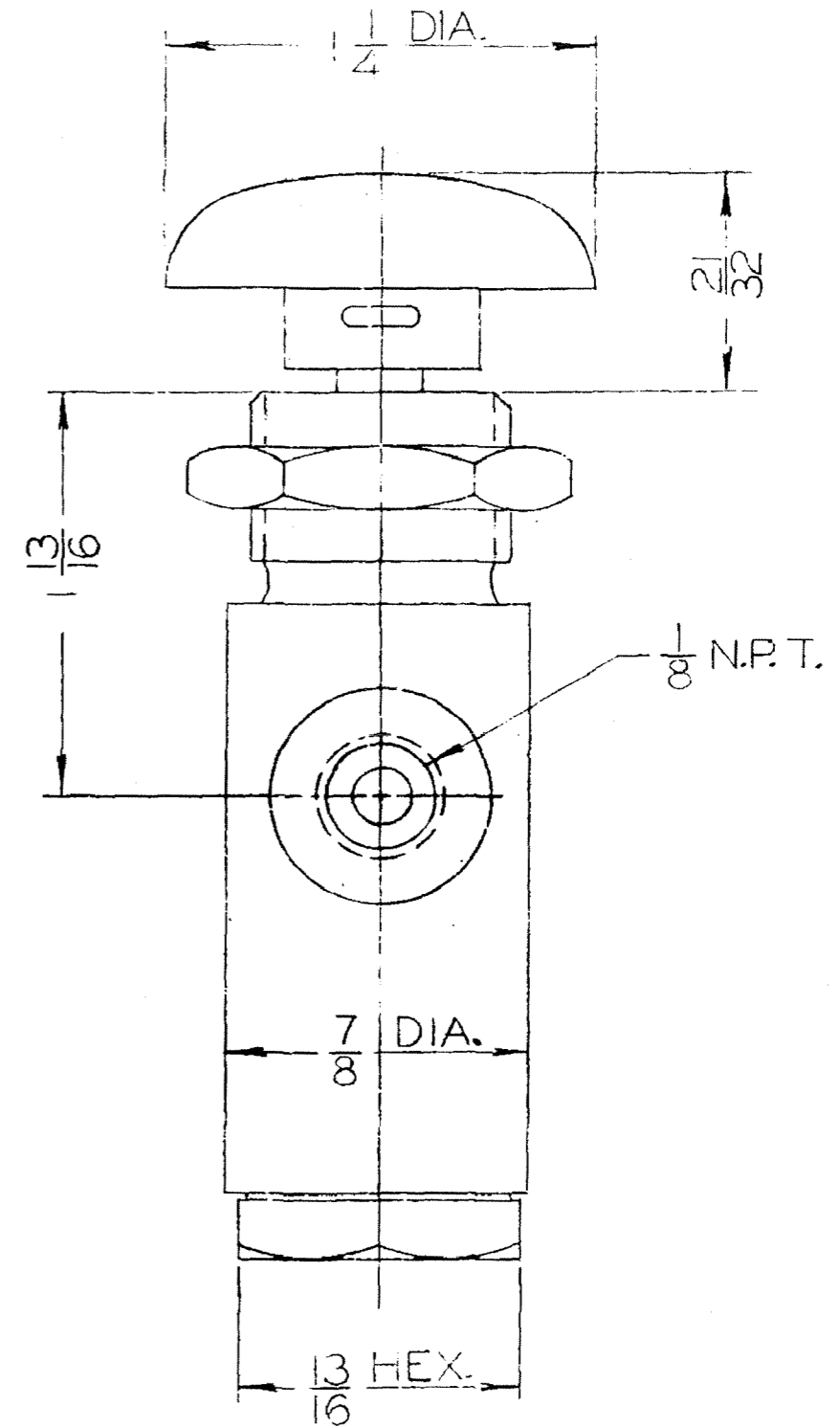
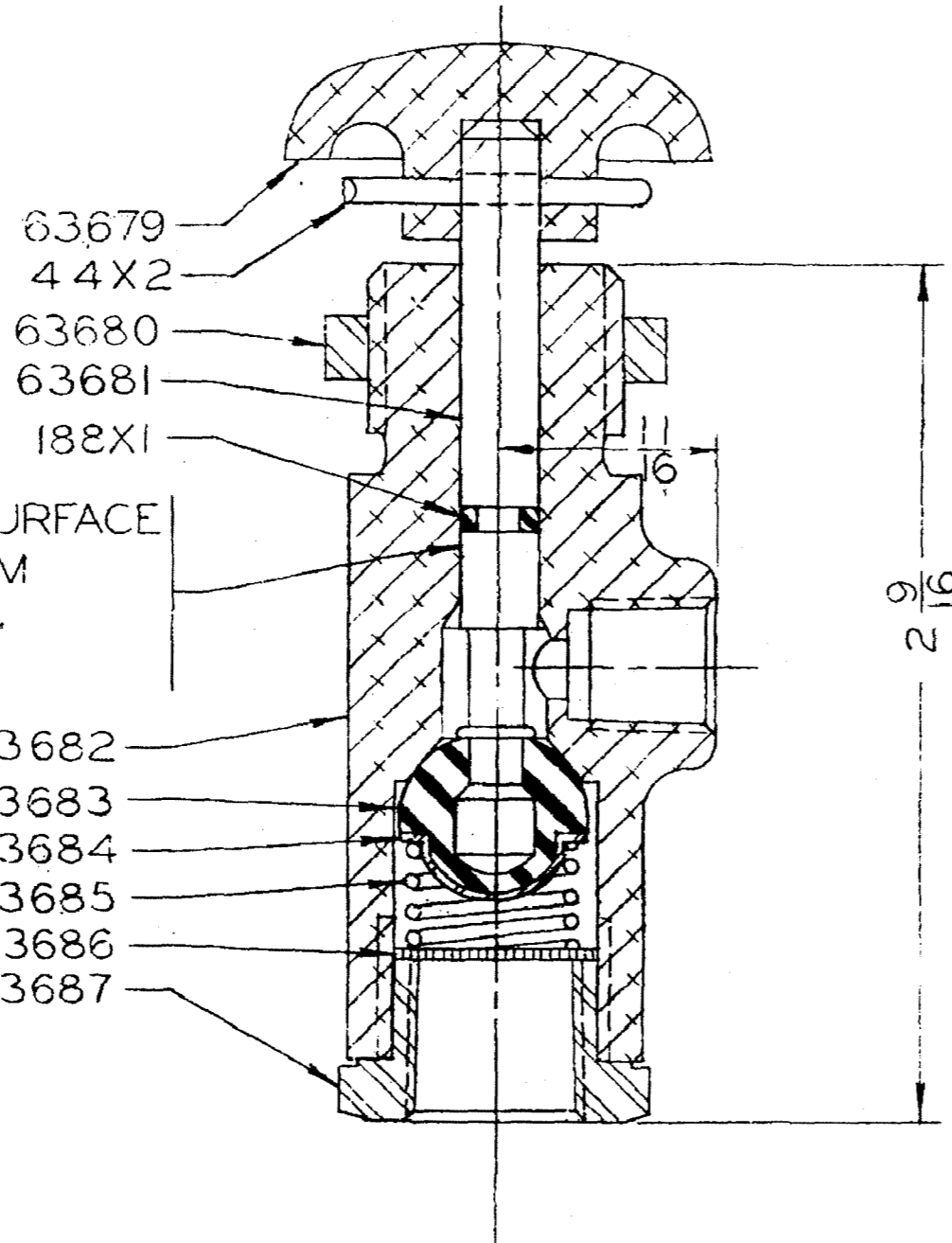
USING STRAIGHT EDGE INSTALL PISTON ON PISTON ROD UNTIL ROD IS FLUSH WITH OR SLIGHTLY BELOW THE TOP OF THE PISTON.



- ▲ 01565750 0015
- ▲ 01565750 0014
- ▲ 01565750-0013

ENG ORDER FBQ0366		REVISIONS FCE0908 FDC018 FDC342 FDC567 FDE0260		FINISH SYMBOLS		JOY TECHNOLOGIES INC. FRANKLIN, PENNSYLVANIA 16823		VALVE, WATER, 2 WAY																													
MATERIAL		PATTERN NO		LITHOPRINT YES <input type="checkbox"/> NO <input type="checkbox"/>		<table border="1"> <thead> <tr> <th>FINISH</th> <th>DESCRIPTION</th> <th>FINISH</th> <th>DESCRIPTION</th> </tr> </thead> <tbody> <tr> <td>A</td> <td>PRECISION POLISH</td> <td>F</td> <td>COMMON MACHINE</td> </tr> <tr> <td>B</td> <td>FINE POLISH</td> <td>G</td> <td>ROUGH MACHINE</td> </tr> <tr> <td>C</td> <td>COMMON POLISH</td> <td>H</td> <td>HEAVY ROUGH</td> </tr> <tr> <td>D</td> <td>GRIND OR EQUAL</td> <td>K</td> <td>EX HEAVY ROUGH</td> </tr> <tr> <td>E</td> <td>SMOOTH MACHINE</td> <td></td> <td></td> </tr> </tbody> </table>		FINISH	DESCRIPTION	FINISH	DESCRIPTION	A	PRECISION POLISH	F	COMMON MACHINE	B	FINE POLISH	G	ROUGH MACHINE	C	COMMON POLISH	H	HEAVY ROUGH	D	GRIND OR EQUAL	K	EX HEAVY ROUGH	E	SMOOTH MACHINE			THIS DRAWING AND ALL INFORMATION THEREIN IS THE PROPERTY OF AND CONFIDENTIAL TO JOY TECHNOLOGIES INC. IT MUST NOT BE MADE PUBLIC OR COPIED. IT IS LOANED SUBJECT TO RETURN UPON DEMAND. IS NOT TO BE USED DIRECTLY OR INDIRECTLY IN ANY WAY DETRIMENTAL TO OUR INTEREST.		SIMILAR TO <u>0008</u>		DR <u>L. MILLER</u> DATE <u>05:90</u> CLASS SCALE	
FINISH	DESCRIPTION	FINISH	DESCRIPTION																																		
A	PRECISION POLISH	F	COMMON MACHINE																																		
B	FINE POLISH	G	ROUGH MACHINE																																		
C	COMMON POLISH	H	HEAVY ROUGH																																		
D	GRIND OR EQUAL	K	EX HEAVY ROUGH																																		
E	SMOOTH MACHINE																																				
UNLESS OTHERWISE NOTED, DIMENSIONS IN INCHES. DECIMAL DIMENSIONS LIMITED TO FRACTIONAL 1/64 ANGLAR 1/16". STRUCTURAL DIMENSIONS LIMITED TO 1/16".		SCALE THIS DRAWING		00533872-0002		157-92		137-92																													

A63608



CONFIDENTIAL

THIS DRAWING IS THE PROPERTY OF JOY MANUFACTURING COMPANY. THE INFORMATION CONTAINED HEREON IS CONFIDENTIAL AND MAY NOT BE COPIED OR MADE PUBLIC, IN WHOLE OR IN PART, AND MUST BE RETURNED UPON REQUEST.

JOY MANUFACTURING CO.

PLANT LOCATION AS INDICATED BELOW

CLAREMONT, N. H.	NEW PHILADELPHIA, O.
DALLAS, TEXAS	ST. LOUIS, MISSOURI
FRANKLIN, PA.	
GALT, ONTARIO, CANADA	
GREENOCK, SCOTLAND	
RICHMAN CITY, IND.	

CONTROL VALVE

SIMILAR TO _____
 SUPERSEDED BY _____
 REPLACES _____
 REPLACED BY _____

DR. HLD. 11-6-59
 TR. _____
 CK. _____
 APPVD. _____

SCALE CLASS

A63608

ENG. ORDER AMB00
 DATE ISSUED _____

REVISIONS