

Material: 00507313-0259  
 Description: FRAME, GATHERING  
 Plant: 185

It	Lm	Part/Doc No	Sheet	Description	Qty	Un
L		00570109-0021		BRACKET	1	EA
L		00570109-0022		BRACKET	1	EA
L		00570109-0023		BRACKET	2	EA
L		00570413-0035		COVER	1	EA
L		00570413-0036		COVER	1	EA
L		00570425-0000		HANGER, CABLE	1	EA
L		00811540-0000		FLAT, 1/4 X 4-1/2, AR400	4	M
L		00900012-0002		SCREW, CAP, GR. 5, 5/16-18 X 3/4	3	EA
L		00900012-0035		SCREW, CAP, GR. 5, 5/8-11 X 1-1/2	4	EA
L		00900015-0056		SCREW, CAP, GR. 5, 3/4-10 X 2	4	EA
L		00900160-0003		NUT, HEX, GR. 2, 5/16-18	3	EA
L		00900302-0006		WASHER, LOCK, 3/4	4	EA
L		00900317-0006		WASHER, 5/8	4	EA
L		00900947-1589		KEY, 1 X 1 X 4-1/2	2	EA
L		00901034-0002		ELBOW, 90 X 1/4 NPT X 1/4 NPT	2	EA
L		00901176-0092		NIPPLE, XS, 1/4 X 3 LG	2	EA
L		00901176-0389		NIPPLE, XS, 1/4 X 16-1/2 LG	2	EA
L		00901220-0002		PLUG, SQ. SOC., 1/4 NPT	2	EA
L		00901286-0002		COUPLING, 1/4 NPT	2	EA
L		01069600-0202		STRIP,WEAR	2	EA
L		01069600-0228		STRIP,WEAR	1	EA
L		01565996-1981		DETAIL	1	EA
L		01566322-0553		DETAIL	2	EA
L		01566322-0554		DETAIL	1	EA
L		01566322-0555		DETAIL	1	EA
L		01566322-1184		DETAIL	4	EA
L		01566322-1185		DETAIL	4	EA
L		01566322-1280		DETAIL	1	EA
L		01566322-1281		DETAIL	1	EA
L		01566322-1282		DETAIL	1	EA
L		01566322-1283		DETAIL	1	EA
L		01566322-1284		DETAIL	1	EA
L		01566322-1285		DETAIL	1	EA
L		01566322-1286		DETAIL	1	EA
L		01566322-1287		DETAIL	1	EA
L		01566322-1288		DETAIL	1	EA
L		01566322-1289		DETAIL	1	EA
L		01566322-1290		DETAIL	1	EA
L		01566322-1291		DETAIL	1	EA
L		01566322-1292		DETAIL	1	EA
L		01566322-1293		DETAIL	1	EA
L		01566322-1294		DETAIL	1	EA
L		01566322-1295		DETAIL	1	EA

Material: 00507313-0259  
 Description: FRAME, GATHERING  
 Plant: 185

It	Lm	Part/Doc No	Sheet	Description	Qty	Un	Ver
L		01566322-1296		DETAIL	1	EA	
L		01566322-1297		DETAIL	2	EA	
L		01566322-1298		DETAIL	1	EA	
L		01566322-1299		DETAIL	2	EA	
L		01566322-1300		DETAIL	4	EA	
L		01566322-1301		DETAIL	2	EA	
L		01566322-1302		DETAIL	1	EA	
L		01566322-1303		DETAIL	1	EA	
L		01566322-1304		DETAIL	7	EA	
L		01566322-1305		DETAIL	2	EA	
L		01566322-1306		DETAIL	2	EA	
L		01566322-1307		DETAIL	2	EA	
L		01566322-1308		DETAIL	2	EA	
L		01566322-1309		DETAIL	2	EA	
L		01566322-1311		DETAIL	1	EA	
L		01566322-1312		DETAIL	2	EA	
L		01566322-1313		DETAIL	2	EA	
L		01566322-1315		DETAIL	2	EA	
L		01566322-1316		DETAIL	1	EA	
L		01566322-1317		DETAIL	2	EA	
L		01566322-1318		DETAIL	1	EA	
L		01566322-1319		DETAIL	2	EA	
L		01566322-1321		DETAIL	2	EA	
L		01566322-1408		DETAIL	1	EA	
L		01566322-1409		DETAIL	1	EA	
L		01566322-1444		DETAIL	1	EA	
L		01566322-1445		DETAIL	1	EA	
L		01566322-1446		DETAIL	1	EA	
L		01566322-1447		DETAIL	1	EA	
L		01566322-1448		DETAIL	1	EA	
L		01566322-1449		DETAIL	1	EA	
L		01566322-1450		DETAIL	2	EA	
L		01566322-1451		DETAIL	1	EA	
L		01566322-1452		DETAIL	2	EA	
L		01566322-1453		DETAIL	2	EA	
L		01566322-1454		DETAIL	2	EA	
L		01566322-1455		DETAIL	2	EA	
L		01566322-1492		DETAIL	2	EA	
L		01566322-1494		DETAIL	2	EA	
L		01566322-1496		DETAIL	1	EA	
L		01566322-1554		DETAIL	1	EA	
L		01566322-1590		DETAIL	2	EA	
L		01566322-1592		DETAIL	2	EA	

12/11/2000

Parts Book via Bill of Material

Page 3

-----  
Material: 00507313-0259  
Description: FRAME, GATHERING  
Plant: 185  
-----

-----  
It Lm Part/Doc No Sheet Description Qty Un Ver  
-----

L 01566322-1716 DETAIL 2 EA

\*\*\*\*\* End of Sales Order \*\*\*\*\*

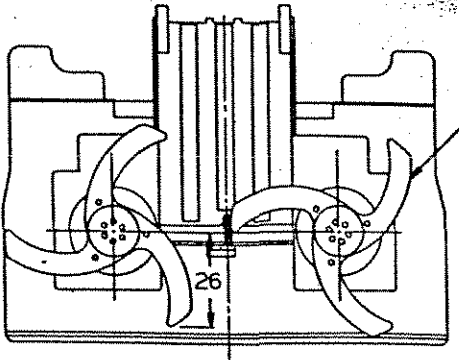
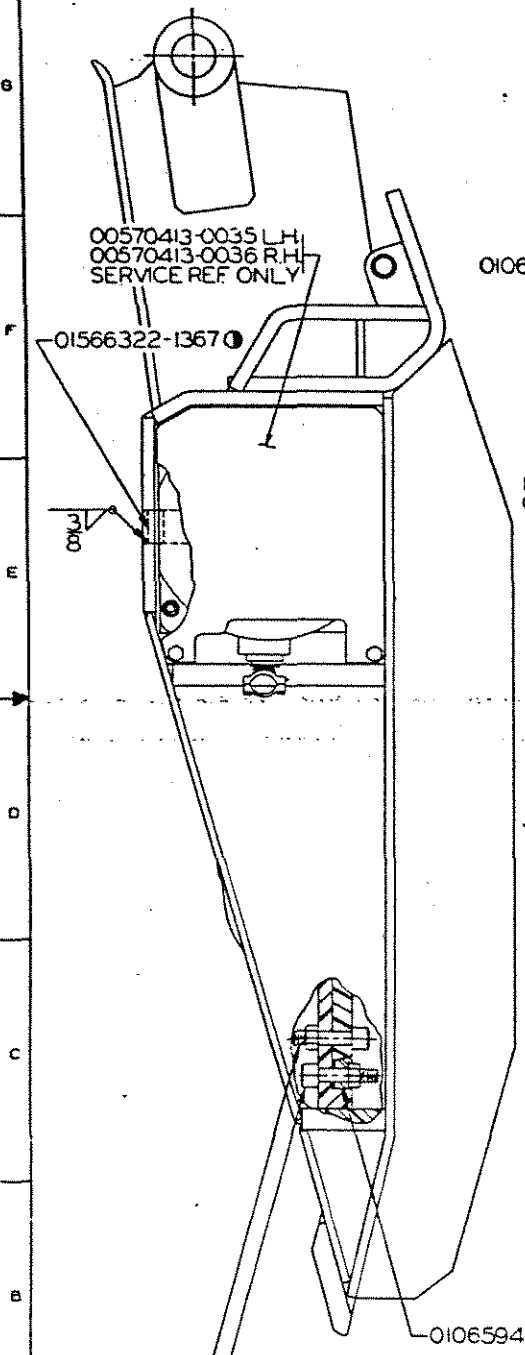
JCM0052-0046

REV	DESCRIPTION	DATE	BY
A	REVISED	12/87	R.M.BARR
B	REVISED	12/87	R.M.BARR

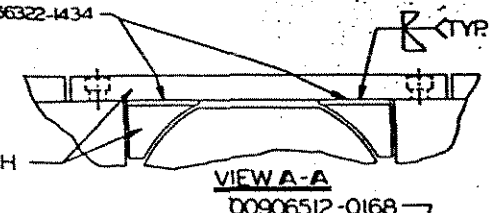
① LOCATE 01566322-1367 BLOCK AGAINST GEAR CASE PAD AND WELD AS SHOWN

LOCATE CLA IN REF. TO FOOT SHAFT  $\phi$  AS SHOWN

▲ ALTERNATE SHAFT 01069528-0513 TO BE USED IN SEVERE CONDITIONS



CLA TIMING



VIEW A-A  
00906512-0168

00570413-0035 L.H.  
00570413-0036 R.H.  
SERVICE REF ONLY

01069565-0752

00902224-0857  
(3/4 X 2-1/2)

00811541-0000 (54 LG)(REF)

01566322-1434

00811541-0000 (50-7/8 LG)(REF)

HOLD FLUSH

00910659-0220  
(1/8 X 1-3/8 I.D.)

01069452-0031  
▲ 01069528-0490

00910659-0273  
(1/8 X 9-3/4 I.D.)

INSTALL DRAIN COVER ON TOP SIDE ONLY TYP

TYP  
3/16

00901261-0001 ★

00902224-0106 (1/2 X 1-3/4) ★  
(TACK WELD SECURELY)

106956-0345 ★

SPROCKET ASSEMBLY  
(SEE SALES ORDER)

WEAR SHOE  
(01069600-0202 REF.)

01564315-0009 ★

01564315-0010 ★

900012-0024 ★  
2 X 1-1/4

900302-0004 ★

GATH. HEAD GEAR CASE (L.H.)  
(SEE SALES ORDER)

00900015-0056 (REF.)  
(3/4 X 2)

00900302-0006 (REF.)

00902224-0936 (1 X 4)  
00903119-0010

GATH. HEAD FRAME  
(SEE SALES ORDER)

00902224-093E (1 X 4)  
00903119-0010

▲ TORQUE TO 555-615 FT.-LBS. LUBED  
ALL WELDS TO BE MINIMUM 70,000 TENSILE STRENGTH

★ COMPLETE FOOT SHAFT PARTS MAY BE ORDERED AS PART NO. 00703500-7297

00902224-0930 (1 X 2-1/2)  
00907009-0018

01069195-2080  
00902224-0095 (1/2 X 1-1/2)  
STAKE CAP SCREWS

GATH. HEAD GEAR CASE (R.H.)  
(SEE SALES ORDER)

01069195-2079

▲ 00902224-0931 (1 X 2-3/4)

00907009-0018

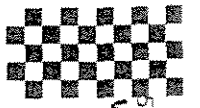
(TWO KEYS) 00900969-0230 (3/4 X 3/4 X 2-3/8)

01069140-0498

BM00703465-0045

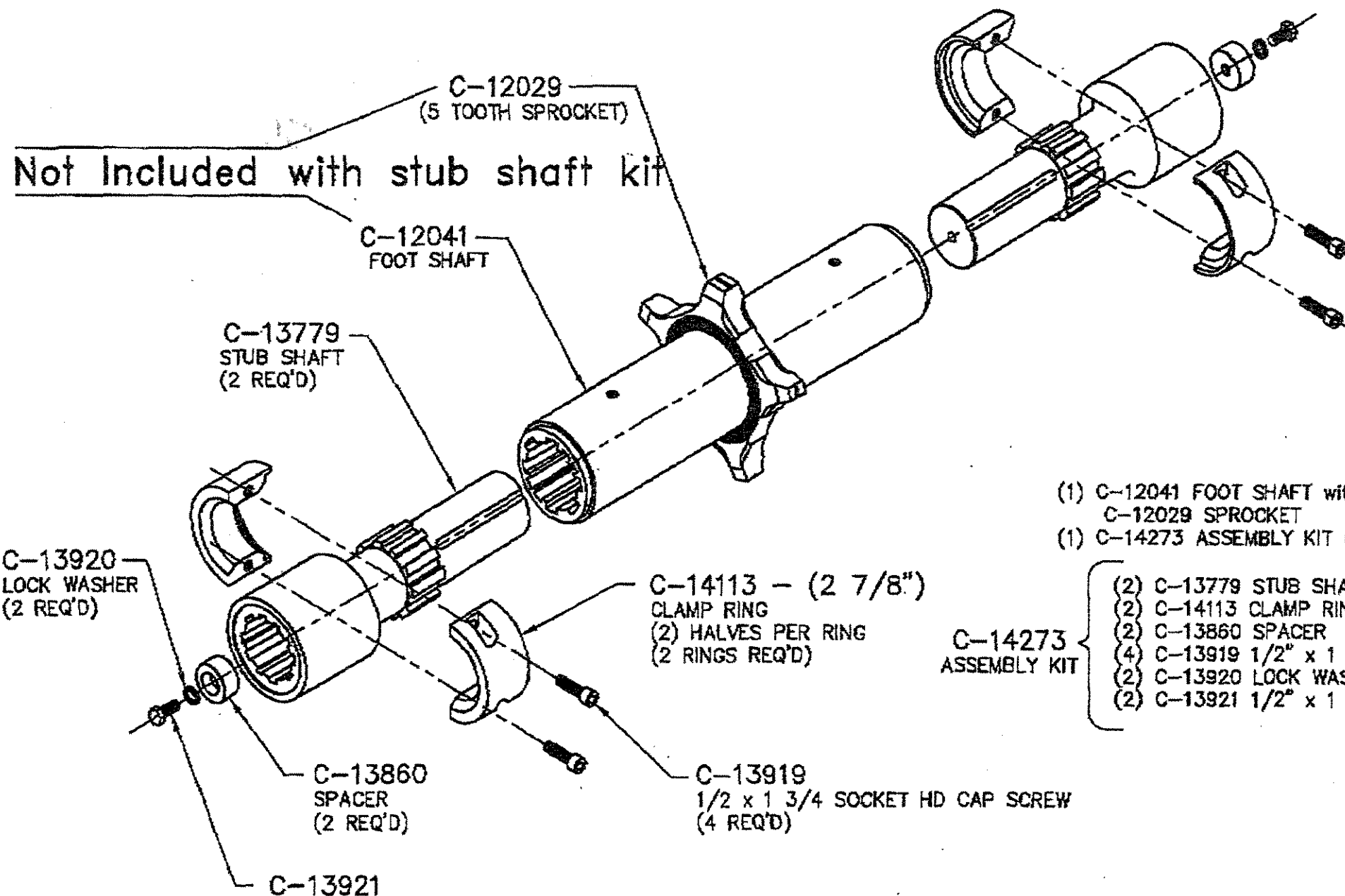
MATERIAL	PATTERN NO.
HEAT TREAT	
CAMBRIDGE FEED	
FINISHES	
JOY TECHNOLOGIES INC.	
75003	JCM0052-0046
SCALE 1/4"	

UNLESS OTHERWISE NOTED, ALL DIMENSIONS IN INCHES UNLESS OTHERWISE SPECIFIED TO FRACTIONS. ALL DIMENSIONS ARE TO UNLESS OTHERWISE SPECIFIED TO FRACTIONS. ALL DIMENSIONS ARE TO UNLESS OTHERWISE SPECIFIED TO FRACTIONS. ALL DIMENSIONS ARE TO UNLESS OTHERWISE SPECIFIED TO FRACTIONS.



C-14273 STUB SHAFT KIT  
 DA-550 CHAIN

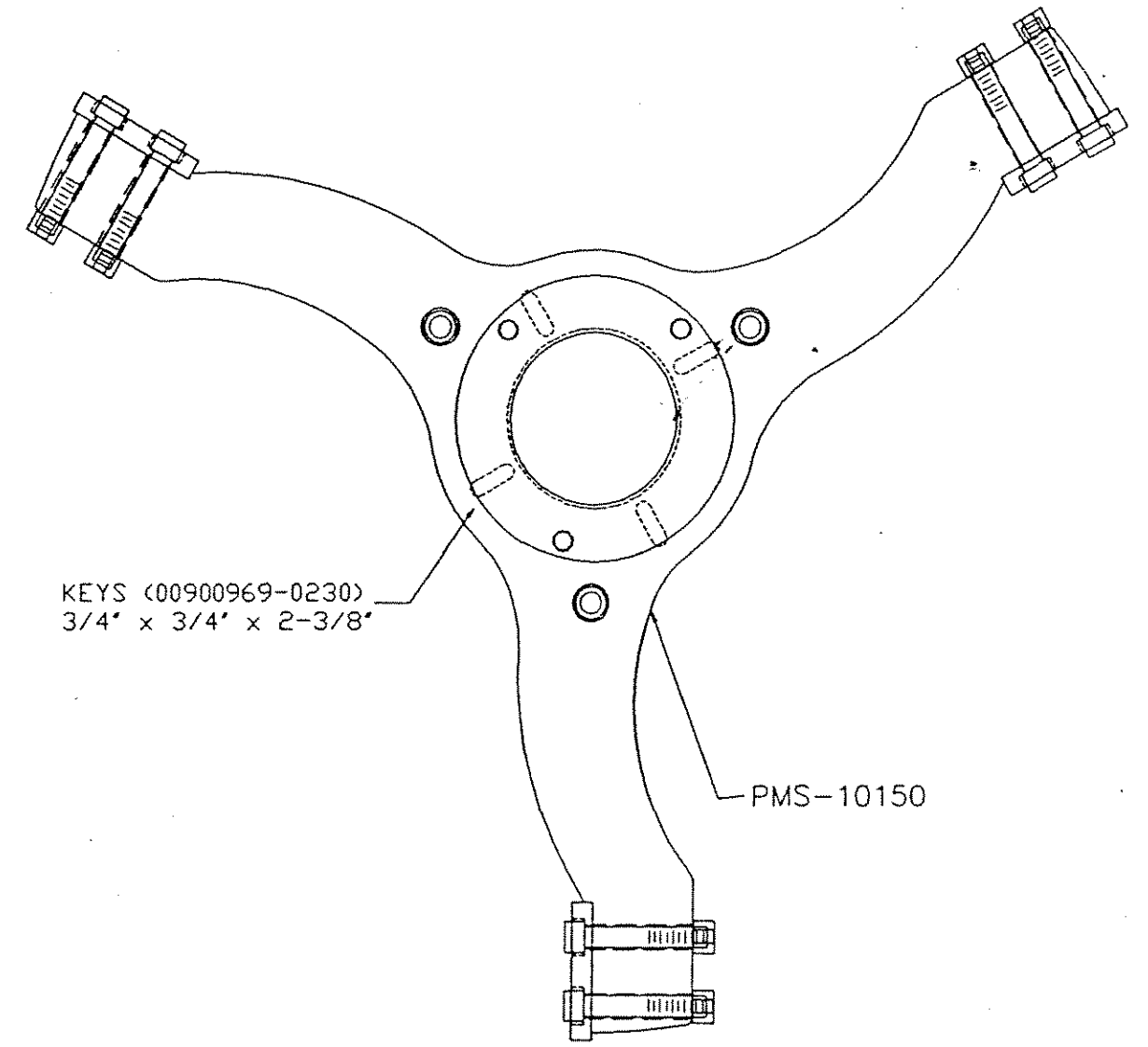
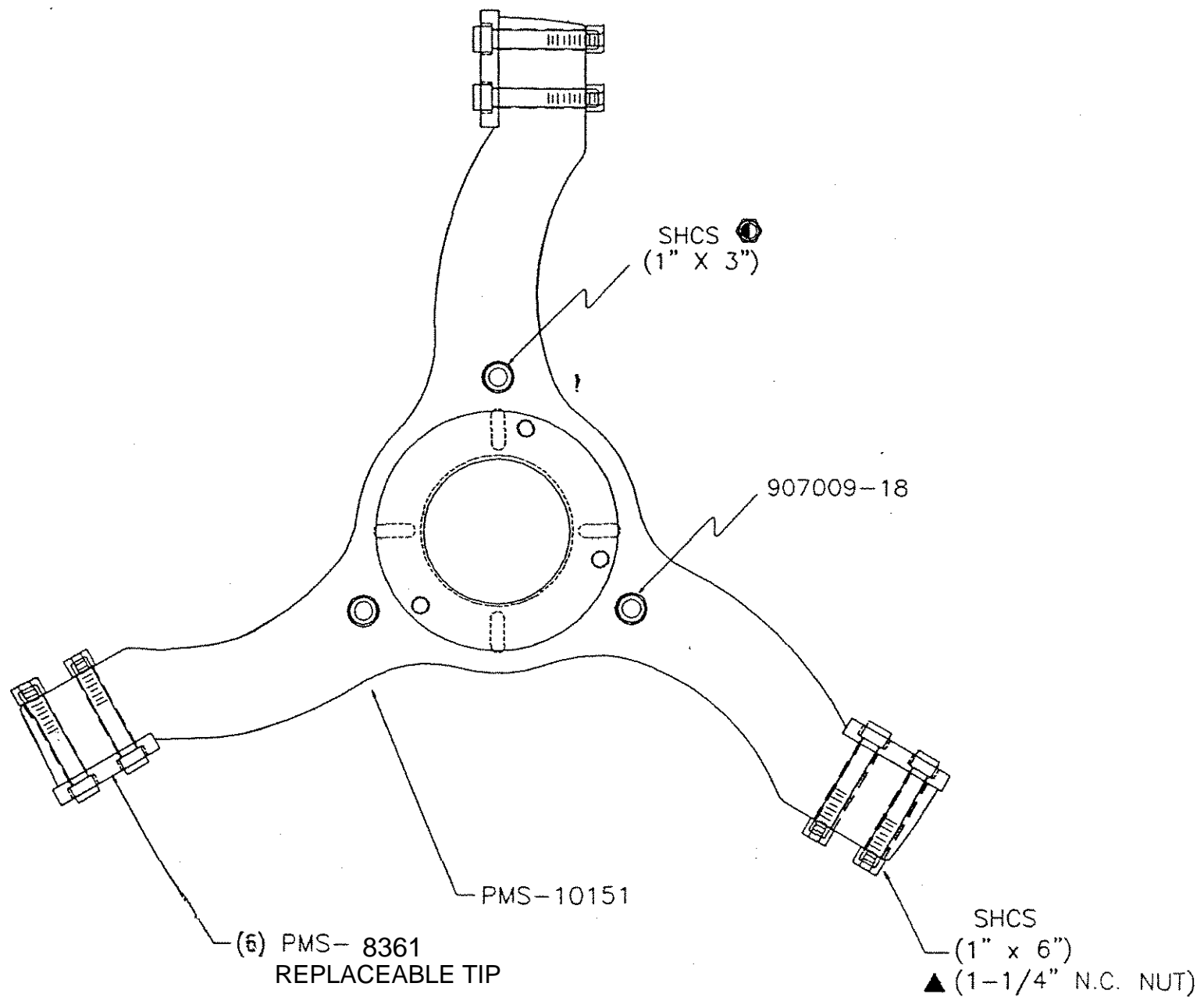
C-14273 STUB SHAFT KIT  
 Total Assembled length = 34"  
 with clamp rings installed



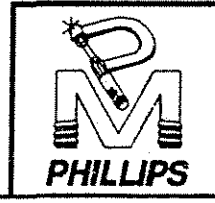
- (1) C-12041 FOOT SHAFT with WELDED-ON C-12029 SPROCKET
- (1) C-14273 ASSEMBLY KIT CONTAINING:
  - (2) C-13779 STUB SHAFT
  - (2) C-14113 CLAMP RING
  - (2) C-13860 SPACER
  - (4) C-13919 1/2" x 1 3/4" SHCS
  - (2) C-13920 LOCK WASHERS
  - (2) C-13921 1/2" x 1 1/4" HHCS



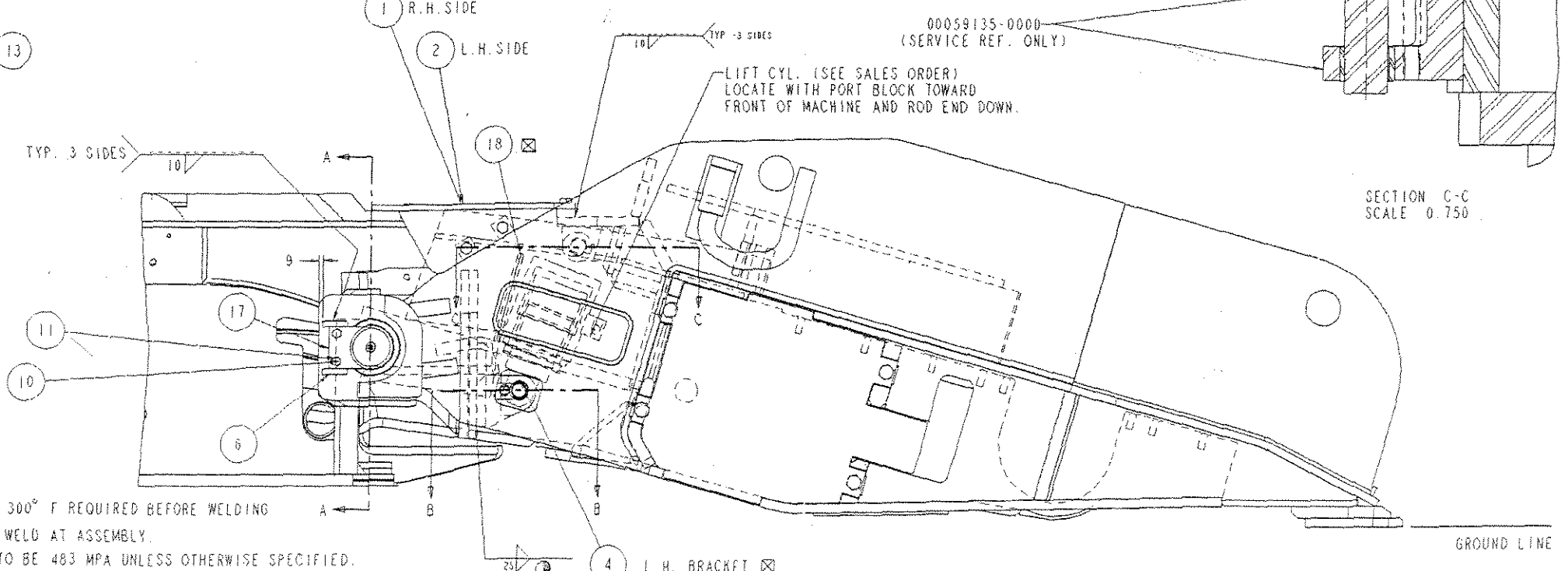
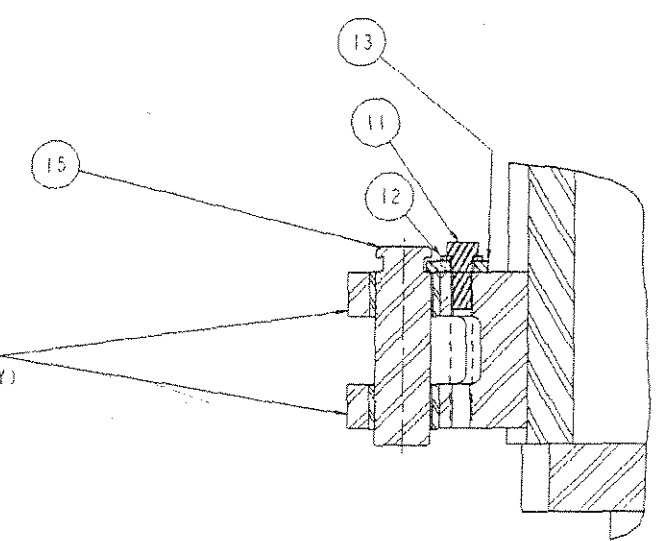
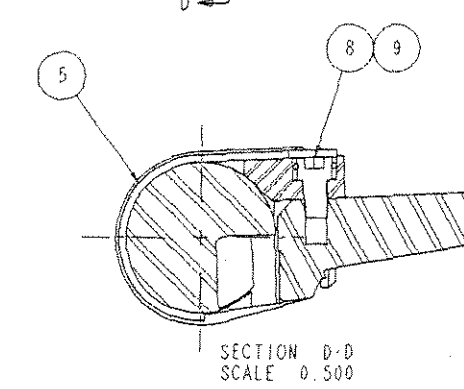
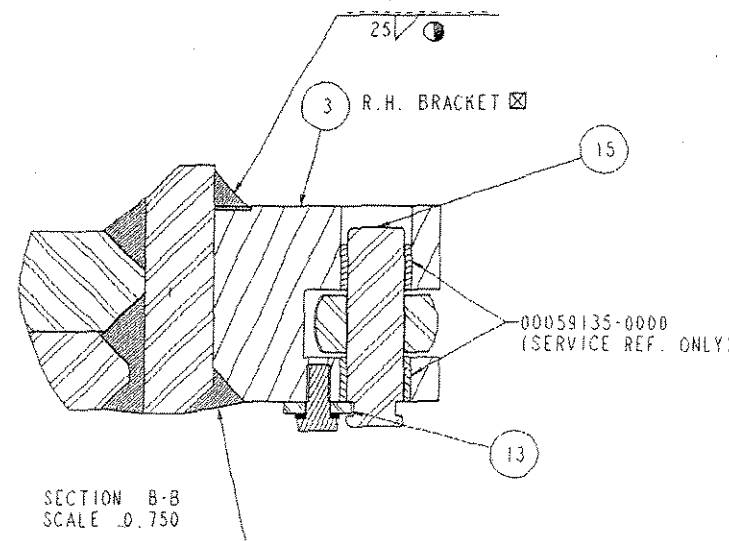
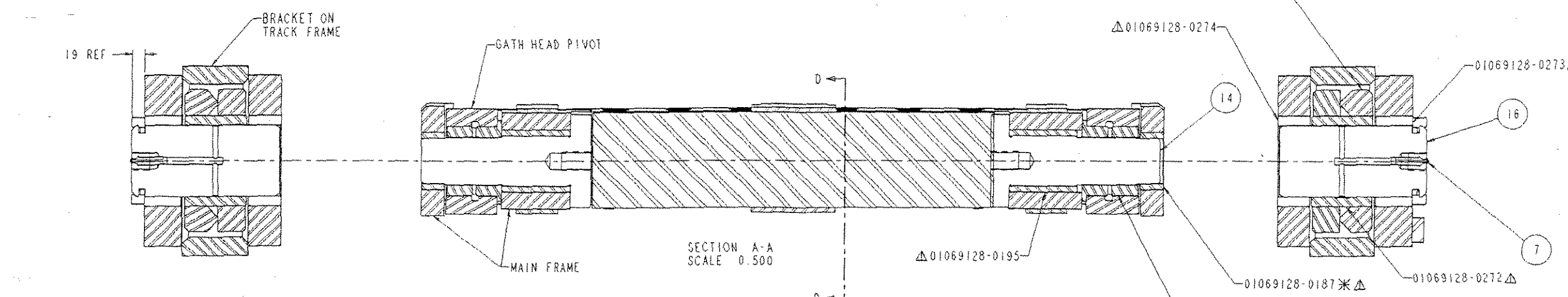
UNLESS OTHERWISE SPECIFIED FRACTIONAL DIM NEED AS OPEN DECIMAL DIM NEED AS OPEN ANGLES ± 1° 1/32" TOLERANCE BREAK EDGES		PART NAME: FOOT SHAFT KIT		THE CINCINNATI MINE MACHINERY CO.	
CHANGES MADE		USED TYPE: DA-550 CHAINS		CINCINNATI, OHIO U.S.A.	
DATE	BY	MATERIAL:	SCALE: 1/4"=1"	SUPERSEDES	DWG No.
		DRAWN BY: RLL/mrb	DATE: 8-19-03	SUPERSEDES NO.	32448 D



● TORQUE TO 545 FT. LBS.  
 ▲ LOCATE AND WELD AT ASSEMBLY



PMS-60" CLA	
SOFT RAKE WITH ASTRO. TIPS	
DATE: 11MAR96	REVISION: 0
DR. BY: VCS	REV. BY: XX
CLAATIP/041000	REV DATE: XX



ITEM	PART NUMBER	QTY	DESCRIPTION
18	01566322-3741	2	DETAIL, GATH HEAD
17	01069444-0788	2	PLATE, MOUNTING
16	01069432-1468	2	PIN
15	01069432-0334	4	PIN
14	01069427-2013	2	PIN, HEADED
13	01069367-0040	4	KEEPER
12	00923489-1200	4	WASHER, M12
F1	00923442-1219	8	HHCS, CL10.9, M12 X 30
10	00923093-0120	4	WASHER, LOCK, M12
9	00907009-0014	6	WIRE, LOCKING
8	00902224-0852	6	SHCS, 3/4 X 1.25
7	00901267-0015	2	GREASE FITTING
6	00900941-1058	4	KEY, 1/2 X 3/4 X 2
5	00570529-0009	1	PLATE, PIVOT
4	100119653	1	BRACKET, CYLINDER
3	100119658	1	BRACKET, CYLINDER
2	100099089	1	COVER, ACCESS
1	100099088	1	COVER, ACCESS

PREHEAT TO 300° F REQUIRED BEFORE WELDING  
 LOCATE AND WELD AT ASSEMBLY.  
 ALL WELDS TO BE 483 MPA UNLESS OTHERWISE SPECIFIED.  
 \* TACK WELD SECURELY.  
 Δ SHOWN FOR REPAIR REFERENCE ONLY.

BILL OF MATERIAL: 0070075-0291

100 UNDER FDF 8382 DATE ISSUED 1029725	I.D. CHANGE FDF 7518 1036784	1063595 1011534 1037465	1018481 1026683 1048500	TOLERANCE TO BE AS SPECIFIED BELOW UNLESS OTHERWISE STATED ALL DIMENSIONS TO UNLESS OTHERWISE STATED FINISH SYMBOLS MILL FINISH TURNED POLISHED GRIND BURNED BLANKET OTHER	DWG. NO. JCM00707-0177 DATE: 10/15/98 TITLE: MOUNTING, GATHERING HEAD SCALE: 0.750 CLASS: 140M15
---	------------------------------------	-------------------------------	-------------------------------	---	--

Material: 00572019-0045  
 Description: CASE, GEAR, HEAD, GATHERING  
 Plant: 185

It	Lm	Part/Doc No	Sheet	Description	Qty	Un
D		00572019-0045	001	CASE, GEAR, HEAD, GATHERING		
D		00572019-0045	002	CASE, GEAR, HEAD, GATHERING		
D		SK021855-0000	001	INSTALLATION, METALLIC FACE SEAL		
L		00809023-0000		WIRE, STEEL, .0625 DIA, SOFT STEEL	2	M
L		00900907-0106		BEARING, ROLLER	6	EA
L		100008401		Seal, Metallic Face, VITON	1	EA
L		00913128-0012		SEAL, DUO-CONE, FLOATING	1	EA
L		00950028-0004		BEARING, CONE, TAPERED	1	EA
L		00950030-0002		BEARING, CONE, TAPERED	2	EA
L		00950042-0001		BEARING, CONE, TAPERED	1	EA
L		00950063-0001		BEARING, CONE, TAPERED	1	EA
L		00950064-0003		BEARING, CONE, TAPERED	1	EA
L		00950116-0001		BEARING, CONE, TAPERED	1	EA
L		00950119-0002		BEARING, CONE, TAPERED	1	EA
L		00950138-0003		BEARING, CONE, TAPERED	1	EA
L		00950169-0001		BEARING, CONE, TAPERED	1	EA
L		00950261-0001		BEARING, CONE, TAPERED	1	EA
L		00950262-0001		BEARING, CONE, TAPERED	1	EA
L		00960028-0001		BEARING, CUP, TAPERED	1	EA
L		00960030-0001		BEARING, CUP, TAPERED	2	EA
L		00960042-0001		BEARING, CUP, TAPERED	1	EA
L		00960063-0001		BEARING, CUP, TAPERED	1	EA
L		00960064-0001		BEARING, CUP, TAPERED	1	EA
L		00960116-0001		BEARING, CUP, TAPERED	1	EA
L		00960119-0001		BEARING, CUP, TAPERED	1	EA
L		00960138-0001		BEARING, CUP, TAPERED	1	EA
L		00960169-0001		BEARING, CUP, TAPERED	1	EA
L		00960261-0001		BEARING, CUP, TAPERED	1	EA
L		00960262-0001		BEARING, CUP, TAPERED	1	EA
L		01069140-0485		CAP, BOLTED	1	EA
L		01069140-2014		CAP, BOLTED	1	EA
L		01069145-0565		CARRIER, BEARING	1	EA
L		01069145-0582		CARRIER, BEARING	1	EA
L		01069145-0584		CARRIER, SEAL	1	EA
L		01069145-0588		CARRIER, BEARING	1	EA
L		01069145-2012		CARRIER	1	EA
L		01069145-2020		CARRIER, SEAL	1	EA
L		01069145-2023		CARRIER, BEARING	1	EA
L		01069145-2024		CARRIER, BEARING	1	EA
L		01069145-2025		CARRIER, BEARING,	1	EA
L		01069217-0068		DISC, HEAD, GATHERING	1	EA
L		01069273-2005		GEAR, INTERNAL	1	EA
L		01069333-0002		HOUSING	1	EA



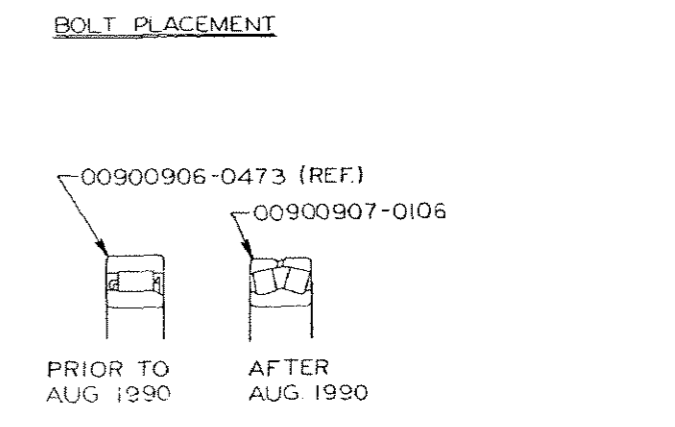
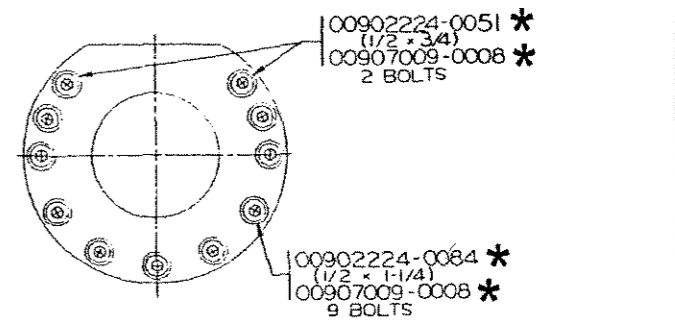
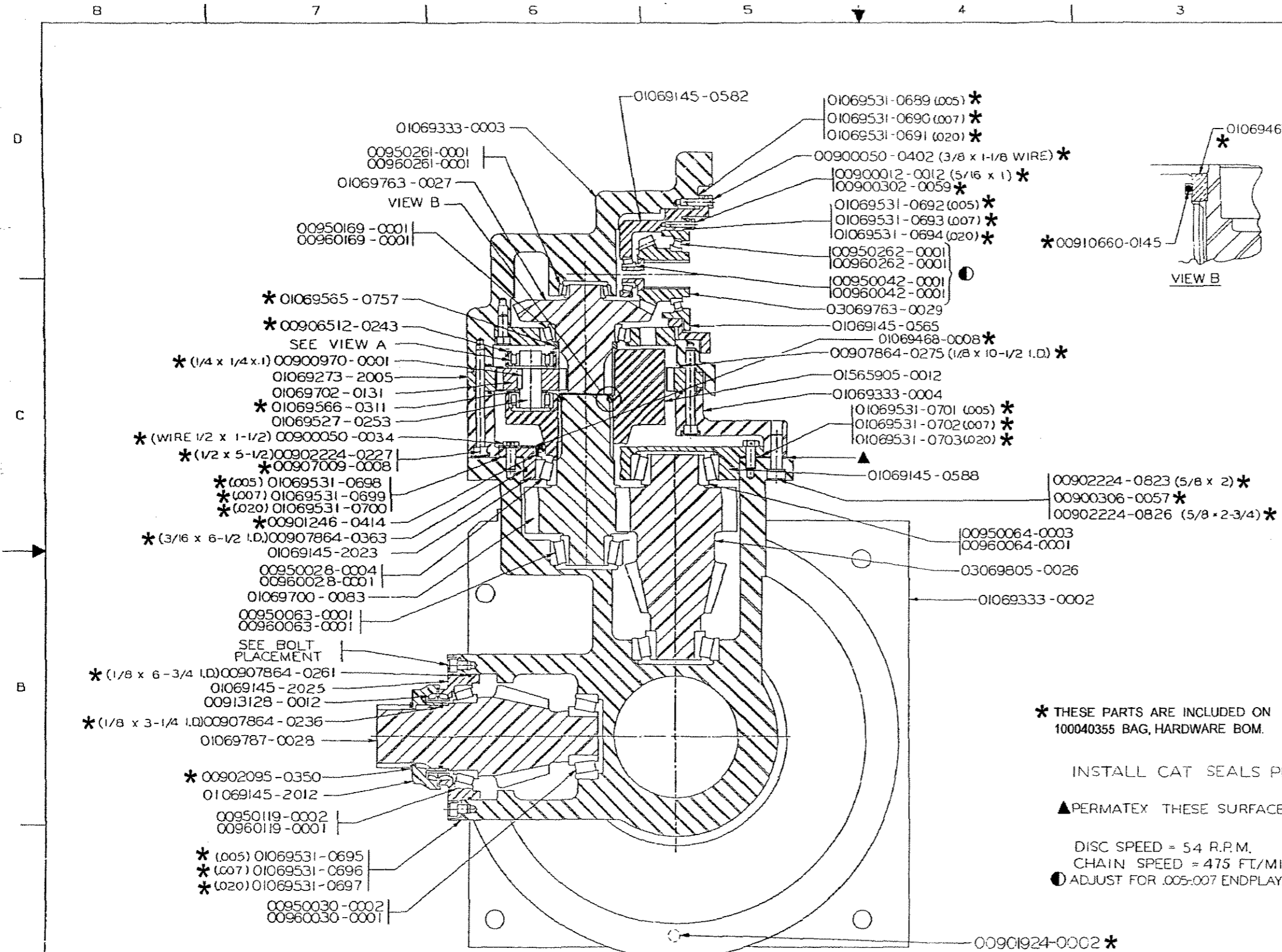
-----  
Material: 00572019-0045  
Description: CASE, GEAR, HEAD, GATHERING  
Plant: 185  
-----

It	Lm	Part/Doc No	Sheet	Description	Qty	Un	Ver
L		01069333-0003		HOUSING	1	EA	
L		01069333-0004		HOUSING	1	EA	
L		01069527-0253		SHAFT, SHOULDERED	3	EA	
L		01069700-0083		GEAR, SPUR, 3DP	1	EA	
L		01069702-0131		GEAR, SPUR, 5DP	3	EA	
L		01069763-0027		GEAR, BEVEL, STRAIGHT, 4DP	1	EA	
L		01069787-0028		GEAR, BEVEL, STRAIGHT, REV FDF0494	1	EA	
L		01069787-0042		GEAR, BEVEL, STRAIGHT, SPECIAL	1	EA	
L		01565905-0012		CAGE, PLANETARY	1	EA	
L		03069763-0029		GEAR, BEVEL ASSEMBLY	1	EA	
L		03069805-0026		Gear, Cluster	1	EA	
L		100040355		Bag, Hardware	1	EA	

\*\*\*\*\* End of Sales Order \*\*\*\*\*

GEORGE, . . . . 00572019-0045, 01.1010853, . . . PRINTED: . 15-DEC-00

REVISIONS				
ZONE	REV	DESCRIPTION	DATE	APPROVED
	A	FDA0523	6-88	
	B	FDA0585	8-88	
	C	FDA0898	9-88	1-91
	D	FDC0463	12-88	
	E	FDC0908	3-89	
	F	FDC3065	5-90	
	G	FDC4897	12-90	
	H	FDC5481	2-91	
	I	FDC8738	7-92	
	J	FDE0491	2-93	
	K	FDE2385	10-93	
	L	FDE3488	1-94	
	M	FDE6242	1-95	
	14	1010853	1-24-00	



\* THESE PARTS ARE INCLUDED ON 100040355 BAG, HARDWARE BOM.

INSTALL CAT SEALS PER SK021855-0000

▲ PERMATX THESE SURFACES

DISC SPEED = 54 R.P.M.  
CHAIN SPEED = 475 FT./MIN.

● ADJUST FOR .005-.007 ENDPLAY.

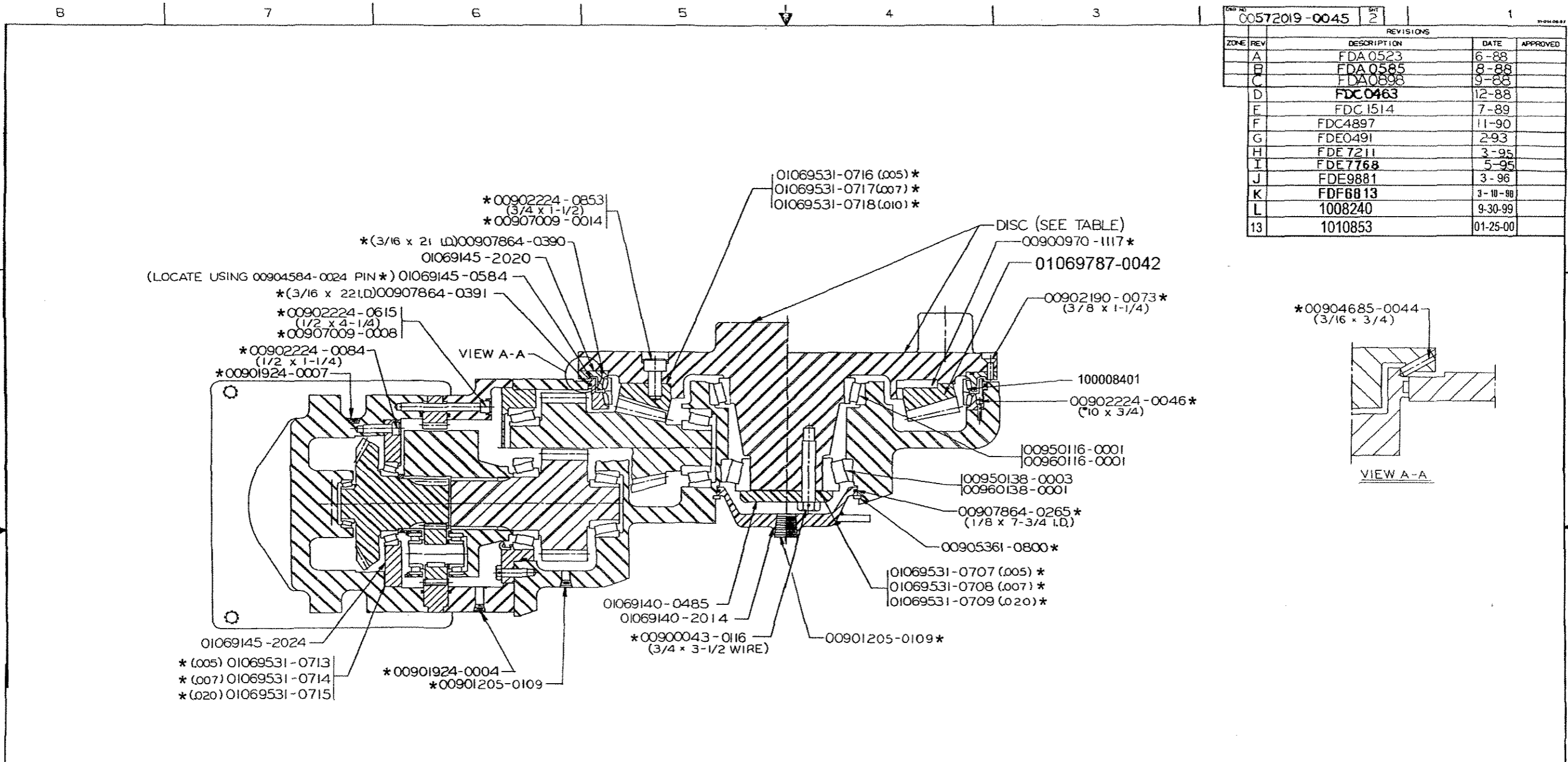
ASS'Y. NO.	TYPE	DISC P/N	THROW	REL. E.Q.	REVISION	REVISION	REVISION	REVISION	REVISION	REVISION
00572019-0045	CLA	01069217-0068		FDA0523	① FDE3488	① FDE6242	⑭ 1010853			
00572019-0053	GATH.ARM	01069217-0067	10"	FDA0898	① FDE3488	① FDE6242	⑭ 1010853			

MATERIAL		PATTERN NO.	
YES LITHOPRINT		HEAT TREAT	
DRAFTER JOHNSON		CARBURIZE (ECD)	
DATE 6 88		HARDNESS	
CHECKER:		SIMILAR TO	
ENGINEER:		CLASS MINERS	
DATE		JOY TECHNOLOGIES INC.	
APPROVAL:		FRANKLIN, PENNA. 15123	
DATE		GATHERING HEAD	
		GEAR CASE (L.H.)	
SIZE D	YSCV NO. 75003	DRG. NO. 00572019-0045	REV 14
SCALE	WGT.	SHEET 1 OF 2	

UNLESS OTHERWISE NOTED: ALL DIMENSIONS IN INCHES; MACHINING DIMENSIONS LIMITED TO FRACTIONAL 31/64, ANGULAR 1/2°; STRUCTURAL DIMENSIONS LIMITED TO 31/16. DO NOT SCALE THIS DRAWING.

THIS DRAWING AND ALL INFORMATION THEREIN IS THE PROPERTY OF AND CONFIDENTIAL TO JOY TECHNOLOGIES INC. IT MUST NOT BE MADE PUBLIC OR COPIED. IT IS LOANED SUBJECT TO RETURN UPON DEMAND. IT IS NOT TO BE USED DIRECTLY OR INDIRECTLY IN ANY WAY DETRIMENTAL TO THE INTERESTS OF JOY TECHNOLOGIES INCORPORATED.

GEORGE... 00572019-0045.02.1010853... PRINTED: 14-Dec-00



REV. NO.		REV. NO.		REV. NO.		REV. NO.		REV. NO.		REV. NO.		REV. NO.		REV. NO.		
ZONE	REV	DESCRIPTION	DATE	APPROVED	REVISIONS											
A		FDA 0523	6-88													
B		FDA 0585	8-88													
C		FDA 0898	9-88													
D		FDC 0463	12-88													
E		FDC 1514	7-89													
F		FDC 4897	11-90													
G		FDE 0491	2-93													
H		FDE 7211	3-95													
I		FDE 7768	5-95													
J		FDE 9881	3-96													
K		FD 6813	3-10-98													
L		1008240	9-30-99													
13		1010853	01-25-00													

ASS'Y NO.	TYPE	DISC P/N	THROW	REL. E.O	REVISION	REVISION	REVISION	REVISION	REVISION	REVISION	REVISION	REVISION	REVISION	REVISION	REVISION	REVISION
00572019-0045	CLA	01069217-0068		FDA0523	FDA0585	FDA0898	FDC0463	FDC1514	FDC4897	FDC1514	FDC4897	Ⓢ FDE7768	Ⓣ FDE9881	Ⓤ FDF6813	Ⓦ 1008240	Ⓧ 1010853
00572019-0053	GATH. ARM	01069217-0067	10"	FDA0898	FDC0463	FDC1514	FDC4897	FDE0491	FDE7211	FDE0491	FDE7211	Ⓢ FDF6813	Ⓣ 1008240	Ⓤ 1010853		

\* THESE PARTS ARE INCLUDED ON 100040355 BAG, HARDWARE BOM.

YES LITHO PRINT		CLASS MINERS		SIMILAR TO	
DRAFTER	DATE	JOY TECHNOLOGIES INC.		FRANKLIN, PENNA. 16323	
JOHNSON	6-88	GATHERING HEAD GEAR CASE (L.H.)			
CHECKER:	DATE				
ENGINEER:	DATE				
APPROVAL:	DATE	SIZE	FSCM NO.	DRG. NO.	
		D	75003	00572019-0045	
		SCALE	WGT.	SHEET 2	

UNLESS OTHERWISE NOTED, ALL DIMENSIONS IN INCHES; MACHINING DIMENSIONS LIMITED TO FRACTIONAL #1/64, ANGULAR 21/2°; STRUCTURAL DIMENSIONS LIMITED TO #1/16. DO NOT SCALE THIS DRAWING.

THIS DRAWING AND ALL INFORMATION THEREIN IS THE PROPERTY OF AND CONFIDENTIAL TO JOY TECHNOLOGIES INCORPORATED. IT MUST NOT BE MADE PUBLIC OR COPIED. IT IS LOANED SUBJECT TO RETURN UPON DEMAND. IT IS NOT TO BE USED DIRECTLY OR INDIRECTLY IN ANY WAY DETRIMENTAL TO THE INTERESTS OF JOY TECHNOLOGIES INCORPORATED.

Material: 00572019-0044  
 Description: CASE, GEAR, HEAD, GATHERING  
 Plant: 185

It	Lm	Part/Doc No	Sheet	Description	Qty	Un
D		00572019-0044		001 CASE, GEAR, HEAD, GATHERING		
D		00572019-0044		002 CASE, GEAR, HEAD, GATHERING		
D		SK021855-0000		001 INSTALLATION, METALLIC FACE SEAL		
L		00809023-0000		WIRE, STEEL, .0625 DIA, SOFT STEEL	2	M
L		00900907-0106		BEARING, ROLLER	6	EA
L		100008401		Seal, Metallic Face, VITON	1	EA
L		00913128-0012		SEAL, DUO-CONE, FLOATING	1	EA
L		00950028-0004		BEARING, CONE, TAPERED	1	EA
L		00950030-0002		BEARING, CONE, TAPERED	2	EA
L		00950042-0001		BEARING, CONE, TAPERED	1	EA
L		00950063-0001		BEARING, CONE, TAPERED	1	EA
L		00950064-0003		BEARING, CONE, TAPERED	1	EA
L		00950116-0001		BEARING, CONE, TAPERED	1	EA
L		00950119-0002		BEARING, CONE, TAPERED	1	EA
L		00950138-0003		BEARING, CONE, TAPERED	1	EA
L		00950169-0001		BEARING, CONE, TAPERED	1	EA
L		00950261-0001		BEARING, CONE, TAPERED	1	EA
L		00950262-0001		BEARING, CONE, TAPERED	1	EA
L		00960028-0001		BEARING, CUP, TAPERED	1	EA
L		00960030-0001		BEARING, CUP, TAPERED	2	EA
L		00960042-0001		BEARING, CUP, TAPERED	1	EA
L		00960063-0001		BEARING, CUP, TAPERED	1	EA
L		00960064-0001		BEARING, CUP, TAPERED	1	EA
L		00960116-0001		BEARING, CUP, TAPERED	1	EA
L		00960119-0001		BEARING, CUP, TAPERED	1	EA
L		00960138-0001		BEARING, CUP, TAPERED	1	EA
L		00960169-0001		BEARING, CUP, TAPERED	1	EA
L		00960261-0001		BEARING, CUP, TAPERED	1	EA
L		00960262-0001		BEARING, CUP, TAPERED	1	EA
L		01069140-0485		CAP, BOLTED	1	EA
L		01069140-2014		CAP, BOLTED	1	EA
L		01069145-0565		CARRIER, BEARING	1	EA
L		01069145-0582		CARRIER, BEARING	1	EA
L		01069145-0584		CARRIER, SEAL	1	EA
L		01069145-2012		CARRIER	1	EA
L		01069145-2020		CARRIER, SEAL	1	EA
L		01069145-2022		CARRIER, BEARING	1	EA
L		01069145-2023		CARRIER, BEARING	1	EA
L		01069145-2024		CARRIER, BEARING	1	EA
L		01069145-2025		CARRIER, BEARING,	1	EA
L		01069217-0068		DISC, HEAD, GATHERING	1	EA
L		01069273-2005		GEAR, INTERNAL	1	EA
L		01069333-0001		HOUSING	1	EA

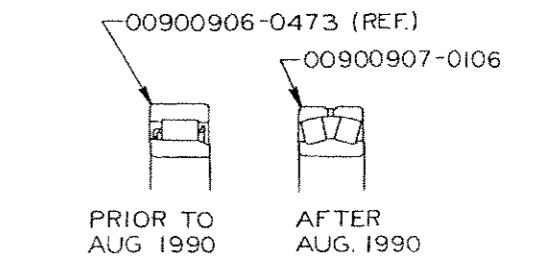
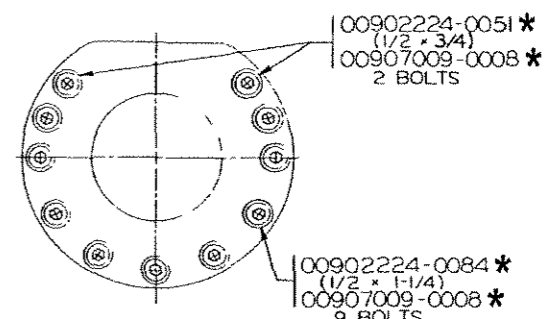
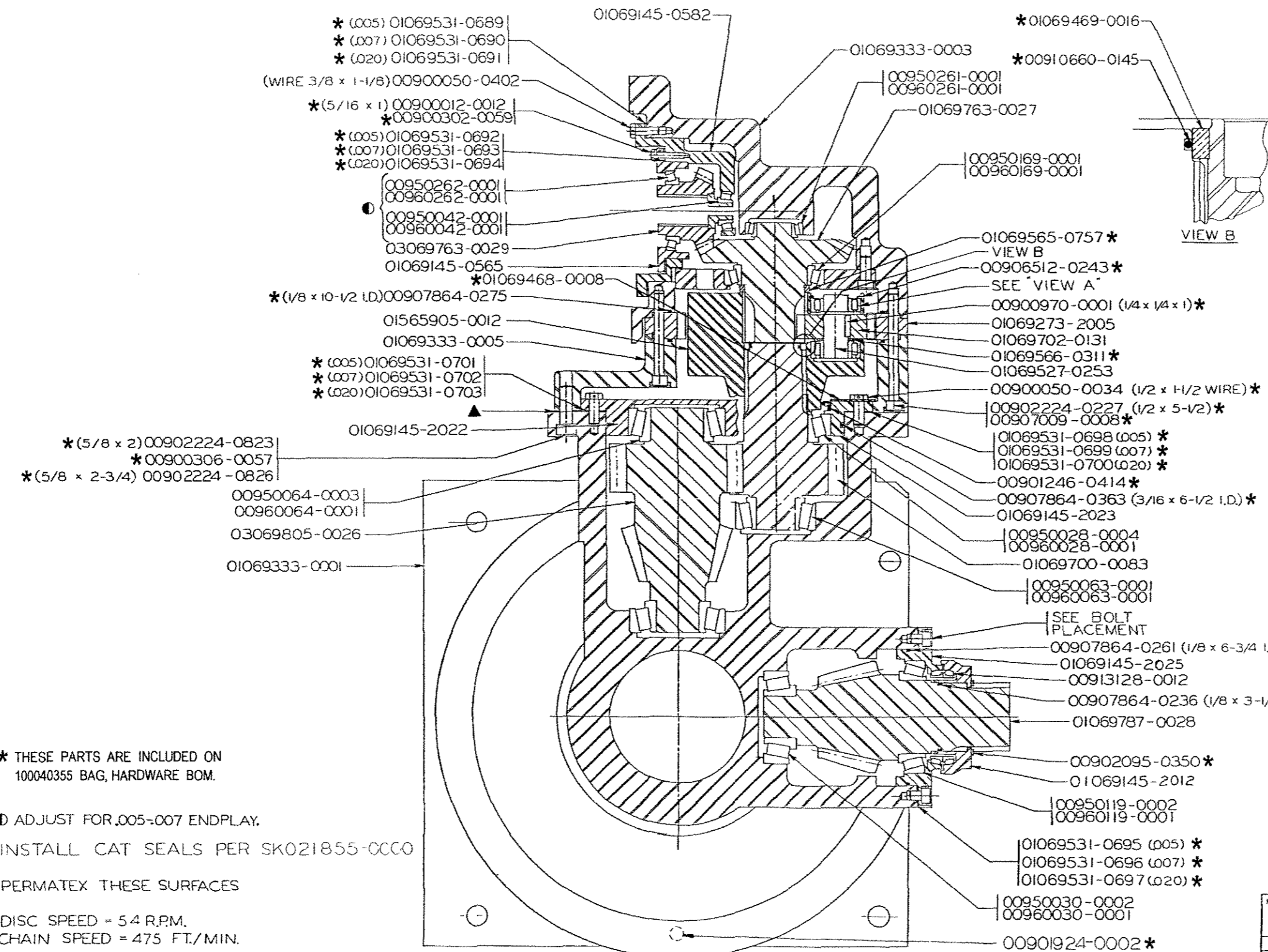
-----  
Material: 00572019-0044  
Description: CASE, GEAR, HEAD, GATHERING  
Plant: 185  
-----

It	Lm	Part/Doc No	Sheet	Description	Qty	Un	Ver
L		01069333-0003		HOUSING	1	EA	
L		01069333-0005		HOUSING	1	EA	
L		01069527-0253		SHAFT, SHOULDERED	3	EA	
L		01069700-0083		GEAR, SPUR, 3DP	1	EA	
L		01069702-0131		GEAR, SPUR, 5DP	3	EA	
L		01069763-0027		GEAR, BEVEL, STRAIGHT, 4DP	1	EA	
L		01069787-0028		GEAR, BEVEL, STRAIGHT, REV FDF0494	1	EA	
L		01069787-0042		GEAR, BEVEL, STRAIGHT, SPECIAL	1	EA	
L		01565905-0012		CAGE, PLANETARY	1	EA	
L		03069763-0029		GEAR, BEVEL ASSEMBLY	1	EA	
L		03069805-0026		Gear,Cluster	1	EA	
L		100040355		Bag,Hardware	1	EA	

\*\*\*\*\* End of Sales Order \*\*\*\*\*

GEORGE... 00572019-0044.01.1010853... PRINTED: 15-DEC-00

REVISIONS				
ZONE	REV	DESCRIPTION	DATE	APPROVED
A		FDA 0523	6-88	
B		FDA 0585	8-88	
C		FDA 0898	9-88	
D		FDC 0463	12-88	
E		FDC 0908	3-89	
F		FDC 3065	5-90	
G		FDC 4897	12-90	
H		FDC 5481	2-91	
I		FDC 8738	7-92	
J		FDE 0491	2-93	
K		FDE 2385	10-93	
L		FDE 3488	1-94	
M		FDE 6242	1-95	
N		DFD 0454	5-96	
15		1010853	1-00	



\* THESE PARTS ARE INCLUDED ON 100040355 BAG, HARDWARE BOM.

● ADJUST FOR .005-.007 ENDPLAY. INSTALL CAT SEALS PER SK021855-0000

▲ PERMATEX THESE SURFACES

DISC SPEED = 54 R.P.M.  
CHAIN SPEED = 475 FT./MIN.

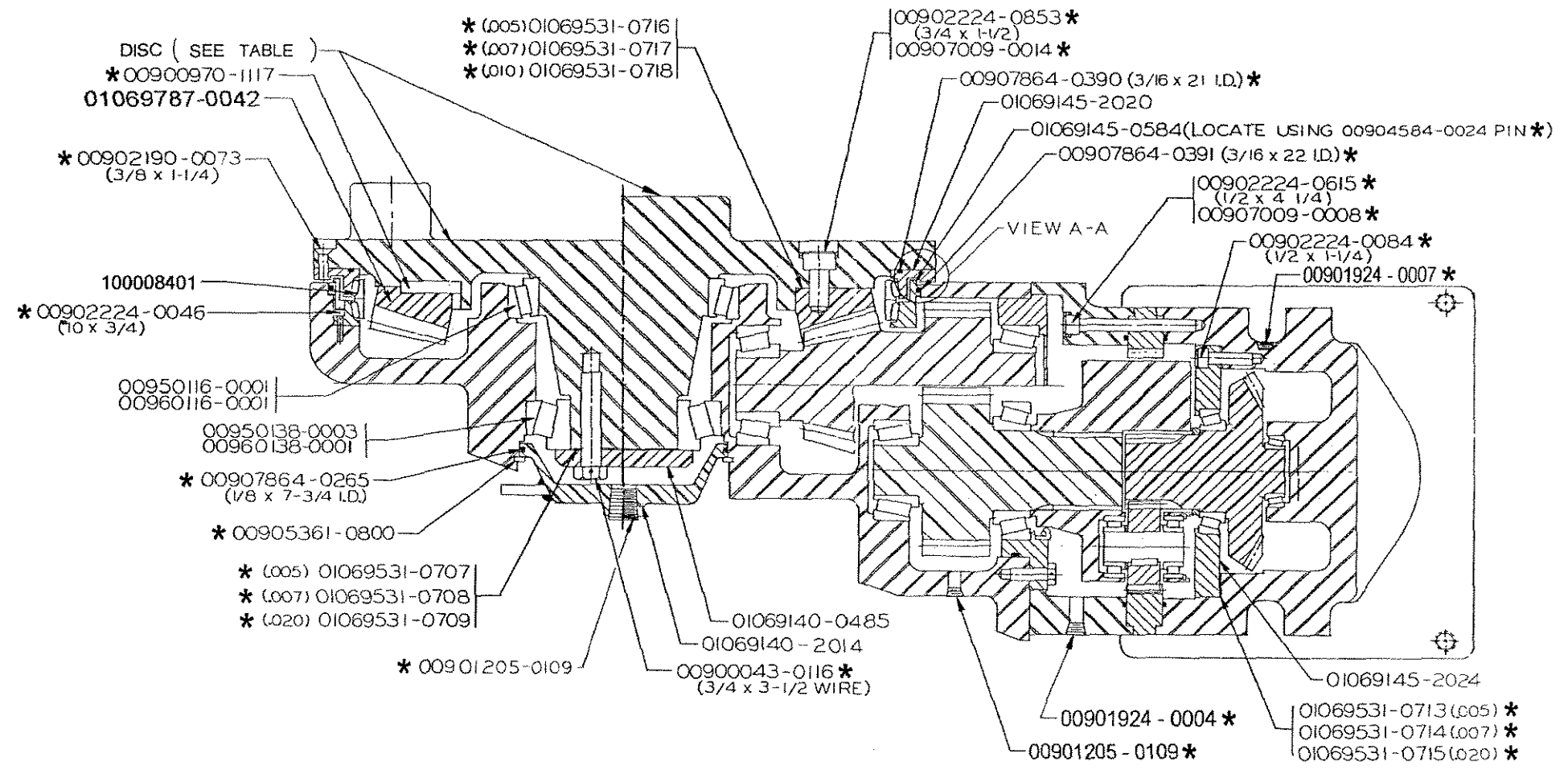
ASS'Y NO.	TYPE	DISC P/N	THROW	REL. EO	REVISION	REVISION	REVISION	REVISION	REVISION	REVISION
00572019-0044	CLA	01069217-0068		FDA0523	FDE 3488	FDE6242	(N) FDF0454	(15) 1010853		
00572019-0052	GATH. ARM	01069217-0067	10"	FDA0898	FDE 3488	FDE6242	(N) FDF0454	(15) 1010853		

MATERIAL	YES LITHOPRINT	CLASS MINERS	PATTERN NO.
JOY TECHNOLOGIES INC.	DATE 6-88	JOY TECHNOLOGIES INC.	HEAT TREAT
FRANKLIN, PENNA. 16323	CHECKER:	FRANKLIN, PENNA. 16323	CARBURIZE (ECC)
	ENGINEER:		HARDNESS
	APPROVAL:		SIMILAR TO
SIZE FSCM NO.	DWG. NO.	REV	
D175003	00572019-0044	15	
SCALE	WGT.	SHEET 1 OF 2	

UNLESS OTHERWISE NOTED, ALL DIMENSIONS IN INCHES; MACHINING DIMENSIONS LIMITED TO FRACTIONAL #1/64, ANGULAR #1/2°; STRUCTURAL DIMENSIONS LIMITED TO #1/16. DO NOT SCALE THIS DRAWING.

THIS DRAWING AND ALL INFORMATION THEREIN IS THE PROPERTY OF AND CONFIDENTIAL TO JOY TECHNOLOGIES INCORPORATED. IT MUST NOT BE MADE PUBLIC OR COPIED. IT IS LOANED SUBJECT TO RETURN UPON DEMAND. IT IS NOT TO BE USED DIRECTLY OR INDIRECTLY IN ANY WAY DETRIMENTAL TO THE INTERESTS OF JOY TECHNOLOGIES INCORPORATED.

REVISIONS				
ZONE	REV	DESCRIPTION	DATE	APPROVED
	A	FDA 0523	6-88	
	B	FDA 0585	8-88	
	C	FDA 0898	2-89	
	D	FDC 0463	12-88	
	E	FDC1514	7-89	
	F	FDC4897	11-90	
	G	FDE0491	2-93	
	H	FDE7211	3-95	
	I	FDE9881	3-96	
	J	PDF0454	5-96	
	K	PDF6813	3-10-98	
	L	1008240	9-30-99	
	13	1010853	1-24-00	



ASS'Y NO.	TYPE	DISC P/N	THR W/	REL. EO	REVISION	REVISION	REVISION	REVISION	REVISION	REVISION	REVISION	REVISION	REVISION	REVISION	REVISION	
00572019-0044	CLA	01069217-0068		FDA0523	FDA0585	FDA0898	FDC0463	FDC1514	FDC4897	FDE0491	FDE7211	FDE9881	PDF0454	PDF6813	1008240	1010853
00572019-0052	GATH. ARM	01069217-0067	10"	FDA0898	FDC0463	FDC1514	FDC4897	FDE0491	FDE7211	FDE9881	PDF0454	PDF6813	1008240	1010853		

\* THESE PARTS ARE INCLUDED ON  
100040355 BAG, HARDWARE BOM.

YES LITHOPRINT		CLASS MINERS		PATTERN NO.	
DRAFTER	DATE	HEAT TREAT		CARBURIZE (ECO)	
JOHNSON	6 88	HARDNESS		SIMILAR TO	
CHECKER:	DATE	JOY TECHNOLOGIES INC.			
ENGINEER:	DATE	FRANKLIN, PENNA. 16323			
APPROVAL:	DATE	GATHERING HEAD GEAR CASE (R.H.)			
SIZE		FSCM NO.		DWG. NO.	
D		75003		00572019-0044	
SCALE		WGT.		SHEET	
				2	

UNLESS OTHERWISE NOTED: ALL DIMENSIONS IN INCHES; MACHINING DIMENSIONS LIMITED TO FRACTIONAL 1/64, ANGULAR 1/2°; STRUCTURAL DIMENSIONS LIMITED TO 1/16. DO NOT SCALE THIS DRAWING. THIS DRAWING AND ALL INFORMATION THEREIN IS THE PROPERTY OF AND CONFIDENTIAL TO JOY TECHNOLOGIES INCORPORATED. IT MUST NOT BE MADE PUBLIC OR COPIED. IT IS LOANED SUBJECT TO RETURN UPON DEMAND. IT IS NOT TO BE USED DIRECTLY OR INDIRECTLY IN ANY WAY DETRIMENTAL TO THE INTERESTS OF JOY TECHNOLOGIES INCORPORATED.

GEORGE...00572019-0044.02.1010853...PRINTED:..14-Dec-00

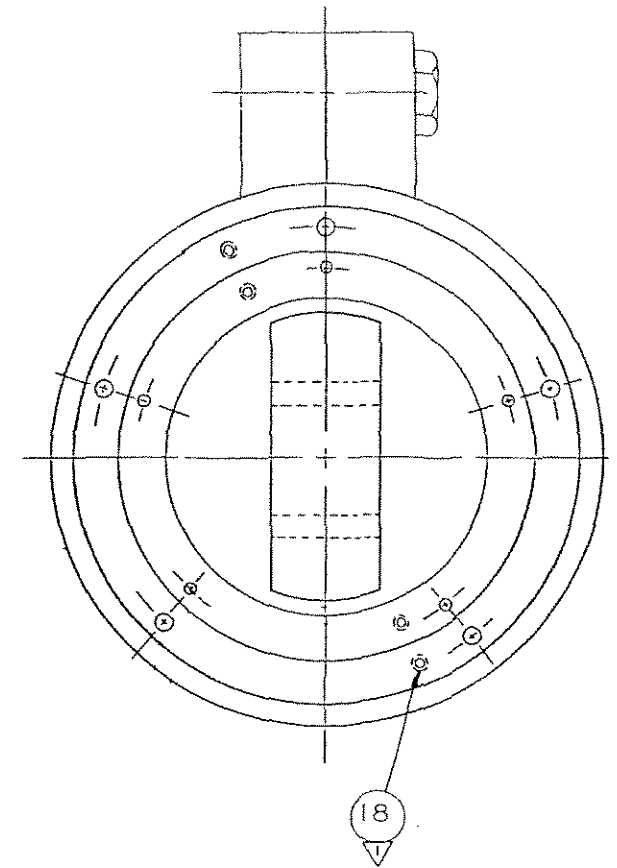
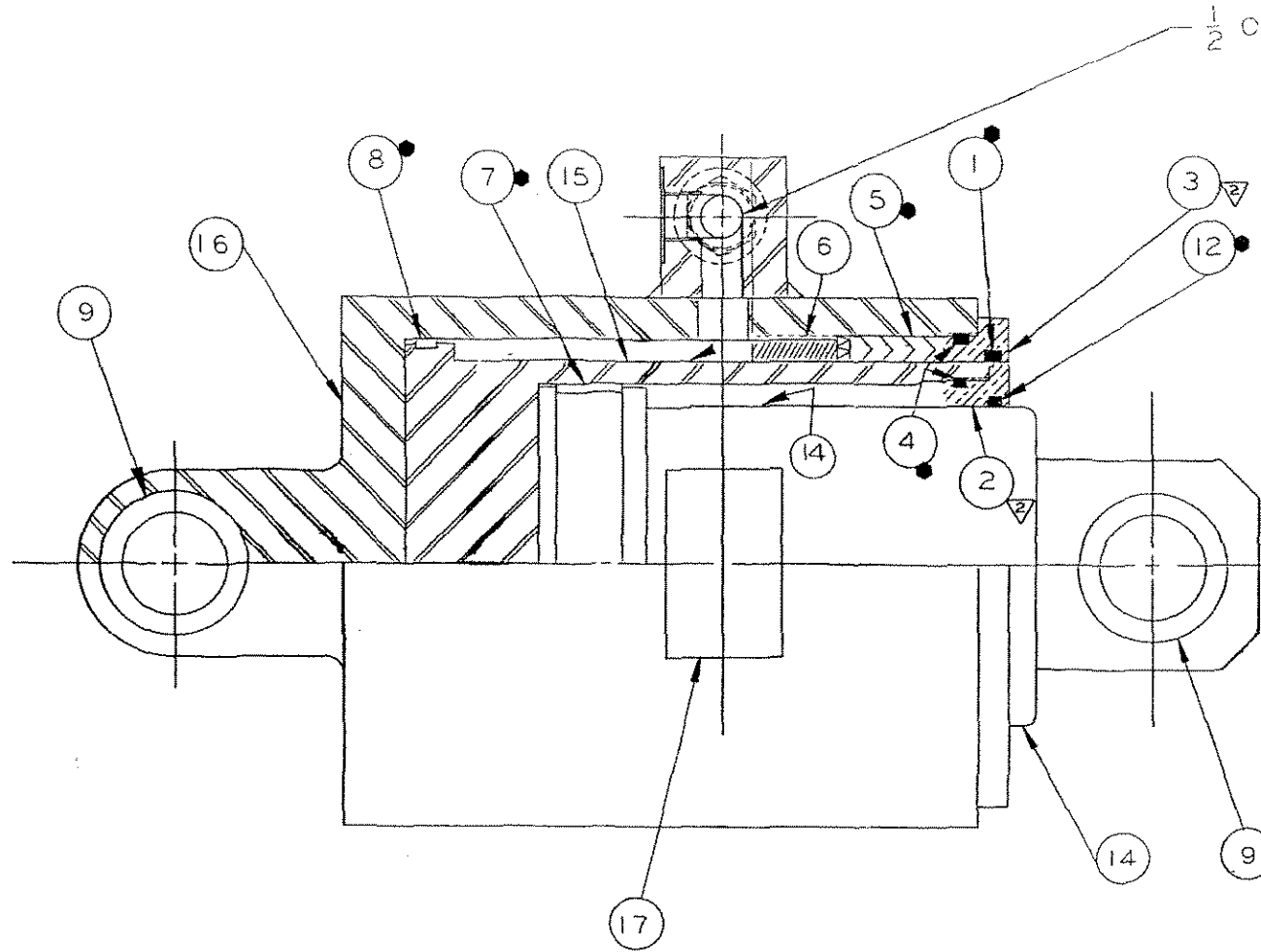
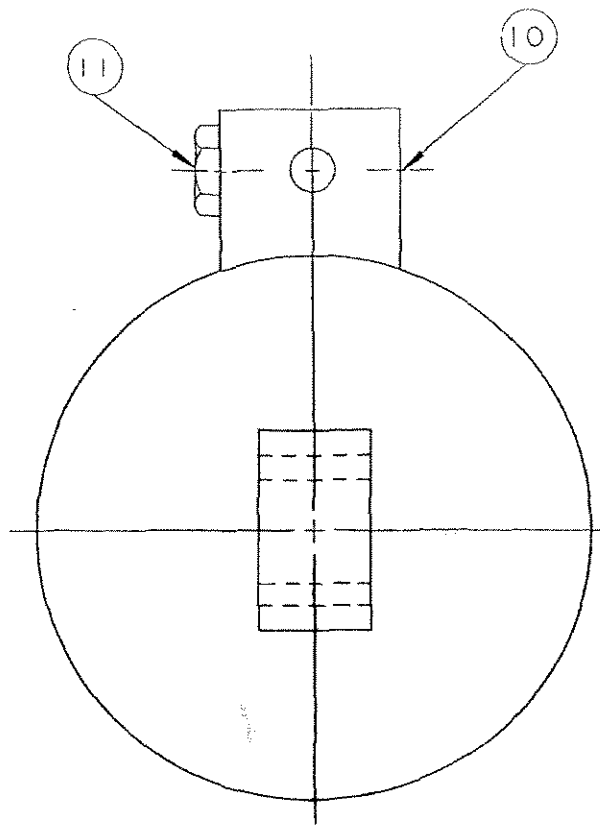
-----  
 Material: 00500112-0285  
 Description: CYLINDER, ELEVATE, GATHERING HEAD  
 Plant: 185  
 -----

It	Lm	Part/Doc No	Sheet	Description	Qty	Un
D		00500112-0285	001	CYLINDER, ELEVATE, GATHERING HEAD		
L		01701335-0000		RING, WIPER	1	EA
L		01700764-0000		NUT	1	EA
L		01700735-0000		NUT	1	EA
L		03190154-0046		PLUG,NYLOC	2	EA
L		01701397-0000		PACKING	1	EA
L		01701205-0000		RING, STOP	1	EA
L		01700366-0000		RING, WEAR	1	EA
L		01701450-0000		RING, WEAR	1	EA
L		00906893-0102		CLOSURES, PROTECTIVE	1	EA
L		00910618-0008		PLUG, 1/2 "O"	1	EA
L		01701123-0000		RING, WIPER	1	EA
L		03190194-0593		ROD	1	EA
L		03190194-0592		ROD, ASSEMBLED	1	EA
L		03189949-0325		BODY, CYLINDER	1	EA
L		01069448-0856		PLATE, NAME	1	EA
L		00900530-0720		SCREW, SET, 8-32 X 1/2	4	EA

\*\*\*\*\* End of Sales Order \*\*\*\*\*



00500112-0285



▽ APPLY LOCTITE 242 TO SET SCREWS  
 ▽ APPLY LOCTITE 262 TO PACKING NUT  
 MAXIMUM OPERATING PRESSURE = 2500 P.S.I.  
 TEST PRESSURE = 2500 P.S.I.

● THESE PARTS ARE AVAILABLE AS REPAIR KIT 03190122-0209

PLUNGER IS NOT HYDRAULICALLY OPERATED.

LITHOPRINT THIS DRAWING

GEORGE . . . . 00500112-0285. 01. FDF5038. . . . PRINTED: . 14-DEC-00

This drawing and all information thereon is the property of the JOY MANUFACTURING CO. It is confidential and shall not be disseminated or used in a manner which would reflect unfavorably on the company. It is not to be used directly or indirectly in any way or connected to our interest.

JOY MANUFACTURING CO.  
 PLANT LOCATION AS INDICATED BELOW

BIRMINGHAM AL	LA GRANGE NC
BUFFALO NY	NICHIGAN CITY IN
CAMBRIDGE ONT CAN	NEW PHILADELPHIA OH
CLAREMONT MA	
EAST KILBRIDE SCOT	
FRANKLIN PA	

CYLINDER, ELEVATE, GATHERING HEAD

SIMILAR TO	DATE OF REVISION	CLASS
SUPPRESSED BY	BY	00500112-0285
REPLACES	BY	
REPLACED BY	DATE	

FDE6327	FDF5038
FCU683	FCU864
FCU859	FCX598
FDE0715	FDE5589