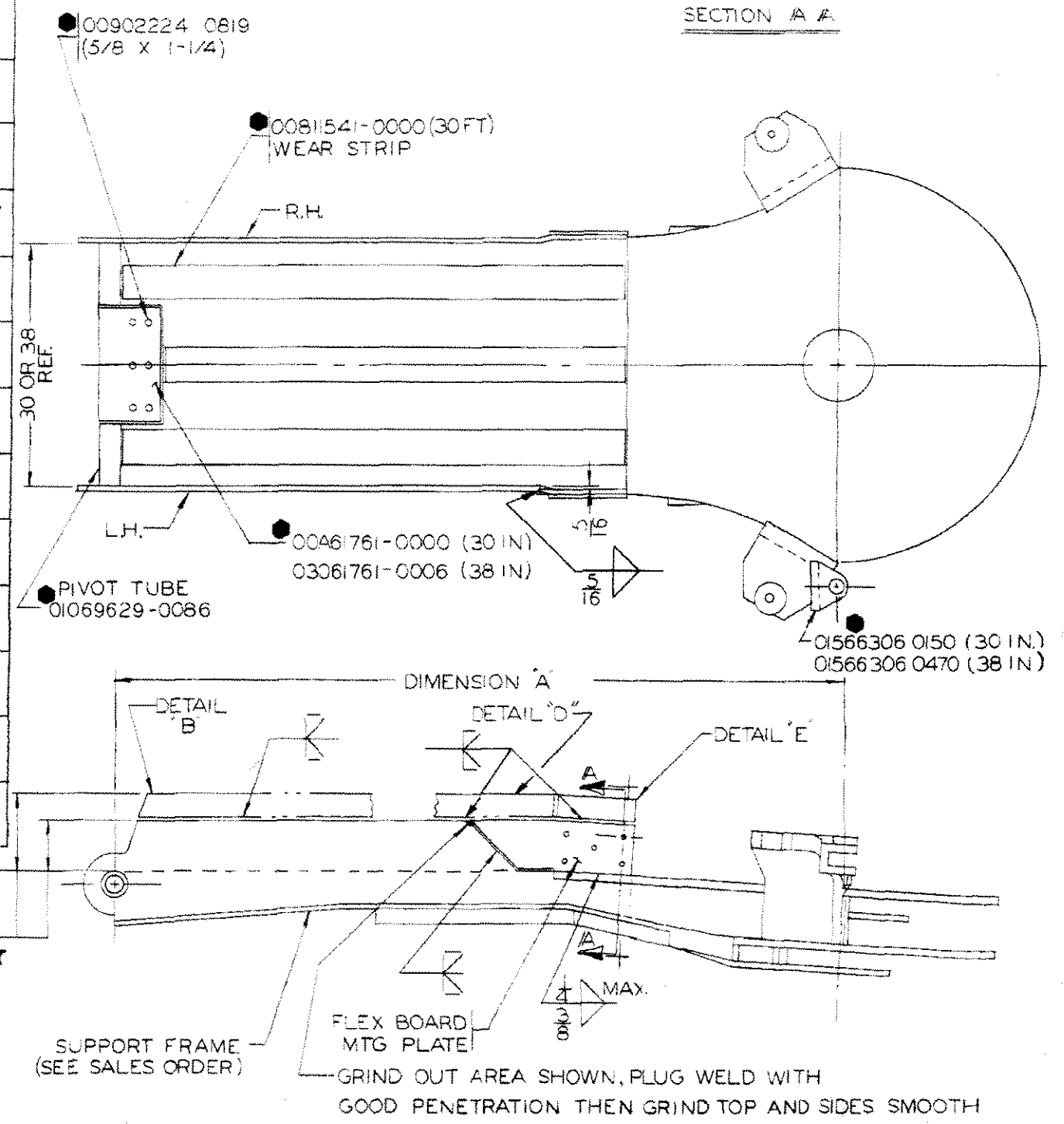
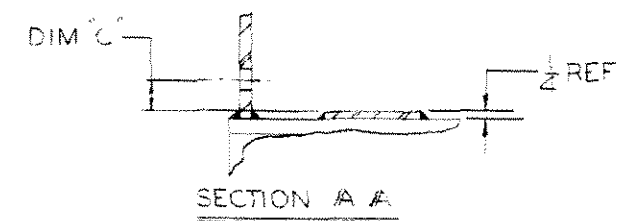


ES043-02 JM5141 BILL OF MATERIAL DATE 03/13/98 PAGE 1
B/M NUMBER DESCRIPTION REFERENCE DATE
00483003 0040 SIDEBOARDS, FRAME, SUPPORT SK025381 0012 01
FDC3496 05/30/90

QTY	G/P	PART NUMBER	DESCRIPTION	REF NO
1		01566306 1164	DETAIL	
1		01566306 1165	DETAIL	

***** END OF B/M PRINT *****

B.M.	FLEX MTG PL. RH. & LH.	DIM 'A'	SIDEBOARD HT ★	DETAIL 'B'	DIM 'C'	DETAIL 'D'	DETAIL 'E'
00483003-0040	01566306-1164 01566306-1165 (8)	145 3/8 OR 88 7/8	8"		1-1/2"		
00703502-0108							
00483003-0041	01566306-1170 01566306-1171 (12)	45 3/8	12"	01564265-562	1"		
00703502-0109							
00483003-0042	01566306-1164 01566306-1165 (8)	145 3/8	12"	01564265-563	1-1/2"	01564265-569	
00703502-0110							
00483003-0043	01566306-1160 01566306-1161 (6)	88 7/8	6"		1-3/8"		
00703502-0111							
00483003-0044	01566306-1160 01566306-1161 (6)	145 3/8 OR 88 7/8	8"		1-3/8"	01564265-157	01564265-3220
00703502-0112							
00483003-0045	01566306-1170 01566306-1171 (12)	88 7/8	12"	01564265-1567	1"		
00703502-0113							
00483003-0046	01566306-1164 01566306-1165 (8)	88 7/8	12"	01564265-1566	1-1/2"	01564265-1401	
00703502-0114							
00483003-0047	01566306-1164 01566306-1165 (8)	88 7/8	10"	01564265-1572	1-1/2"	01564265-1402	
00703502-0115							
00483003-0048	01566306-1160 01566306-1161 (6)	145 3/8	6"		1 3/8"		
00703502-0116							
00483003-0049	01566306-1164 01566306-1165 (8)	145 3/8	16"	01564265-1568	1-1/2"	01564265-1400	
00703502-0117							
00483003-0050	01566306-1160 01566306-1161 (6)	145 3/8	12"	01564265-1570	1-3/8"	01564265-1505	
00703502-0118							
00483003-0052	01566306-1164 01566306-1165 (8)	145 3/8	10"	01564265-1603	1-1/2"	01564265-1402	
00703502-0155							
00483003-0053	01566306-1160 01566306-1161 (6)	145 3/8	10"	01564265-1603	1 1/2"	01564265-1401	
00703502-0210							
00483003-0066	01566306-1170 01566306-1171 (12)	145 3/8	16"	01564265-3148	1"	01564265-1401	
00720272-0010							



★ IF NECESSARY BURN TO DIMENSION GIVEN IN CHART ● BM FOR FACTORY USE
 ● SHOWN FOR SERVICE REF ONLY ■ BM FOR FIELD USE

ALL WELDS MUST BE MINIMUM 70,000 TENSILE

REV. NO.	REVISIONS
1	REVISED TO 3/16/82

FDC 392 / FDC 405 / FDC 7033 / FDC 1336 / FDC 8641 / FDC 2746 MATERIAL: _____ HEAT TREAT: _____ HARDNESS: _____ CARBURIZE (CO): _____	PATTERN NO _____	LITHO PRINT YES <input checked="" type="checkbox"/> NO <input type="checkbox"/>
---	------------------	--

FINISH SYMBOLS	DESCRIPTION
1	COMMON MACHINE
2	ROUGH MACHINE
3	HEAVY ROUGH
4	EX HEAVY ROUGH
5	SMOOTH MACHINE

JOY TECHNOLOGIES INC.
 FRANKLIN, PENNSYLVANIA 16823
 THIS DRAWING AND ALL INFORMATION THEREON IS THE PROPERTY OF AND CONFIDENTIAL TO JOY TECHNOLOGIES INC. IT MUST NOT BE MADE PUBLIC OR COPIED. IT IS LOANED SUBJECT TO RETURN UPON DEMAND. IS NOT TO BE USED DIRECTLY OR INDIRECTLY IN ANY MANNER DETRIMENTAL TO OUR INTEREST.

SIDEBOARDS SUPPORT FRAME 3-1/2" PROFILE 14CMS 24' & 30' & 36' CONV.
 SIMILAR TO SK025381-11
 REPLACES BY _____
 DR. DLS
 DATE 5-25-80
 CLASS 14CM
 SCALE _____
SK025381-0012

B/M NUMBER	DESCRIPTION	REFERENCE	DATE
00483004 0001	SIDEBARDS, CONVEYOR FRAME	SK025382 0001 01	
		FDC0657	02/10/89
		FDC2090	09/20/89
		FDE0493	02/15/93
		FDE3989	04/28/94

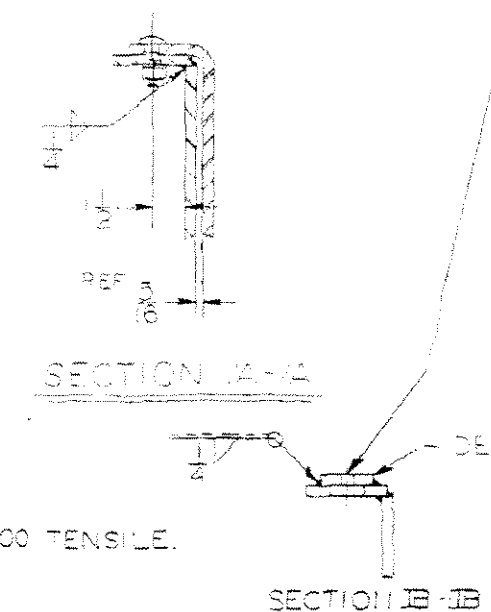
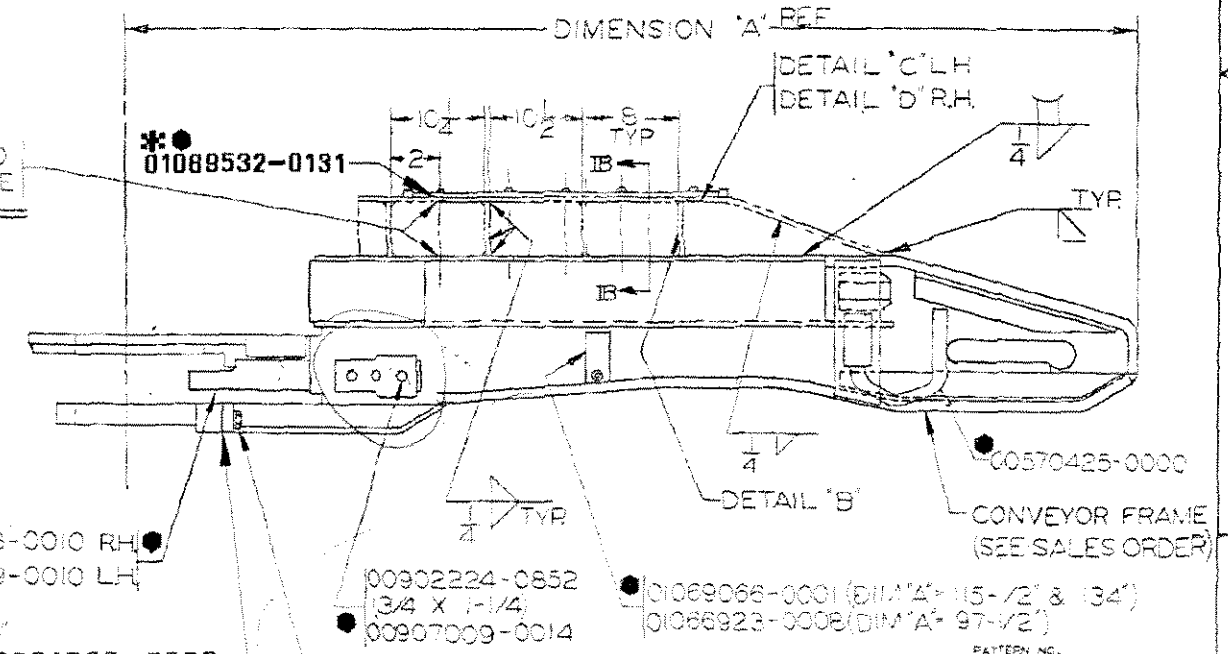
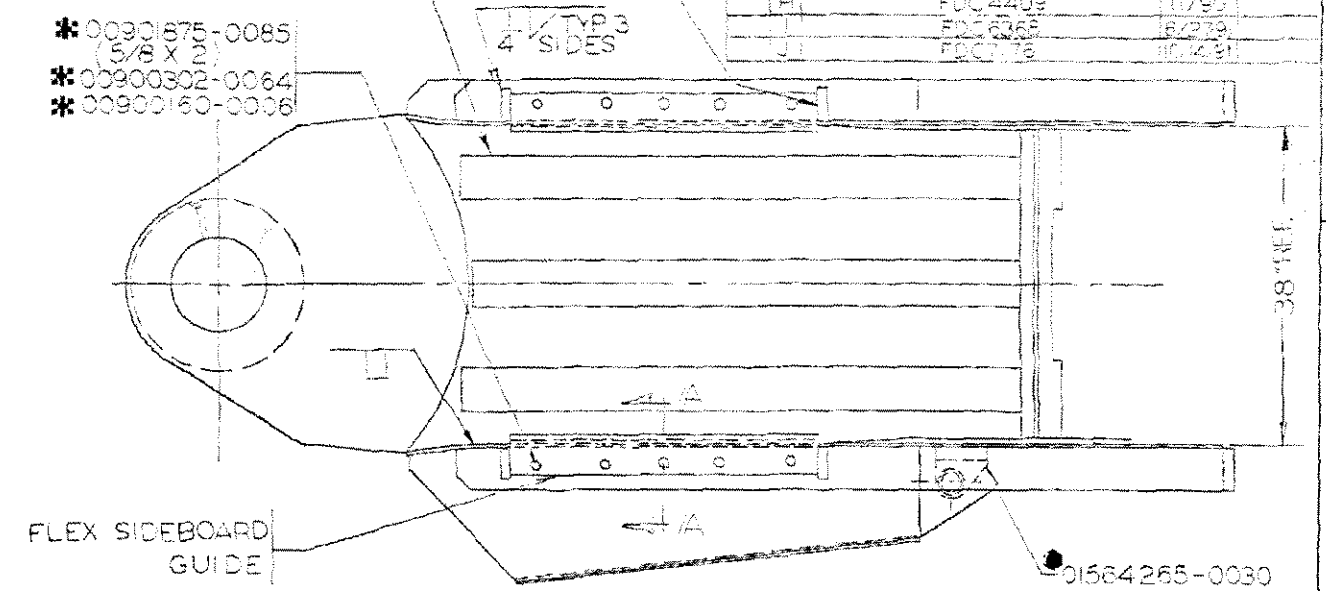
QTY	G/P	PART NUMBER	DESCRIPTION	REF NO
10		00900160 0006	NUT, HEX, GR. 2, 5/8-11	
10		00900302 0064	WASHER, LOCK, 5/8	
10		00901875 0085	BOLT, CARRIAGE, GR. 5, 5/8 X 2	
2		01069296 0004	GUIDE	
14		01564265 0599	DETAIL	
1		01564265 0938	DETAIL	
1		01564265 0939	DETAIL	
4		01564265 3277	DETAIL	

***** END OF B/M PRINT *****

B.M.	DIM. 'A'	SIDEBOARD HT.	DETAIL 'B'	DETAIL 'C'	DETAIL 'D'	FLEX SIDEBOARD GUIDE
00483004-0001 00703500-7616	115 1/2"	8"	01564265-0599	01564265-0939	01564265-0839	01069296-0004
00483004-0002 00703500-7641	115-1/2" OR-97-1/2" OR-134"	6"		SEE SECTION IB-IB	SEE SECTION IB-IB	01069296-0005
00483004-0003 00703500-7642	115 1/2"	12"	01564265-0569	01564265-0934	01564265-0935	01069296-0003
00483004-0004 00703500-7643	97 1/2"	9"	01564265-0599	01564265-1036	01564265-1037	01069296-0004
00483004-0005 00703500-7644	97 1/2"	12"	01564265-0569	01564265-1073	01564265-1074	01069296-0009
00483004-0006 00703500-7645	33 3/4"	2"	01564265-0569	01564265-1180	01564265-1181	01069296-0003
00483004-0007 00703500-0112	115 1/2"	16"	01564265-1495	01564265-1596 01564265-1598 SEE SECTION A-A	01564265-1595 01564265-1597 SEE SECTION A-A	01069296-0017
00483004-0008 00703500-0213	97 1/2"	16"	01564265-1495	01564265-1643 01564265-1645 SEE SECTION A-A	01564265-1642 01564265-1644 SEE SECTION A-A	01069296-0017
00483004-0009 00703500-0304	133 3/4"	16"	01564265-1495	01564265-1709 01564265-1710 SEE SECTION A-A	01564265-1707 01564265-1708 SEE SECTION A-A	01069296-0017
00483004-0010 00720271-0002	33 3/4"	8"	01564265-0599	01564265-2261	01564265-2262	01069296-0004

REV	DESCRIPTION	DATE
K	FDC 7222	11/1/91
L	FDC 0493	2/1/93
M	FDC 3989	4/9/94
N	FDC 7155	3/29/95
P	FDC 7454	3/29/95
Q	FDC 7788	5/2/96
R	FDC 2545	2/97

LONG REV	DESCRIPTION	DATE	APPROVED
A	FDC 0657	1/83	
B	FDC 1388	5/89	
C	FDC 1036	7/89	
D	FDC 2090	8/89	
E	FDC 2555	12/90	
F	FDC 3715	7/91	
G	FDC 3797	9/90	
H	FDC 4409	11/90	
I	FDC 6269	6/2/96	
J	FDC 7176	10/2/91	



ALL WELDS MUST BE MINIMUM 70,000 TENSILE.

● SHOWN FOR SERVICE REF ONLY.
 * PARTS INCLUDED IN P/N 00720508-0077 CONVEYOR SHIM CHANGE-OUT KIT.

MATERIAL		PATTERN NO.	
HEAT TREAT			
CARBURIZE TECH			
HARDNESS			
YES LITHO-PRINT	CLASS NUMBER	SIMILAR TO	
DATE	DATE	JOY TECHNOLOGIES INC.	
ROGUS	1/89	FRANKL N. PENNA. 16323	
ENGINEER	DATE	SIDEBOARDS, CONVEYOR	
APPROVAL	DATE	FRAME	
		38" CONV.	
SIZE	TRD NO.	DWG. NO.	REV.
D	75003	SK025382-0001	R
SCALE	WT.	SHEET NO.	

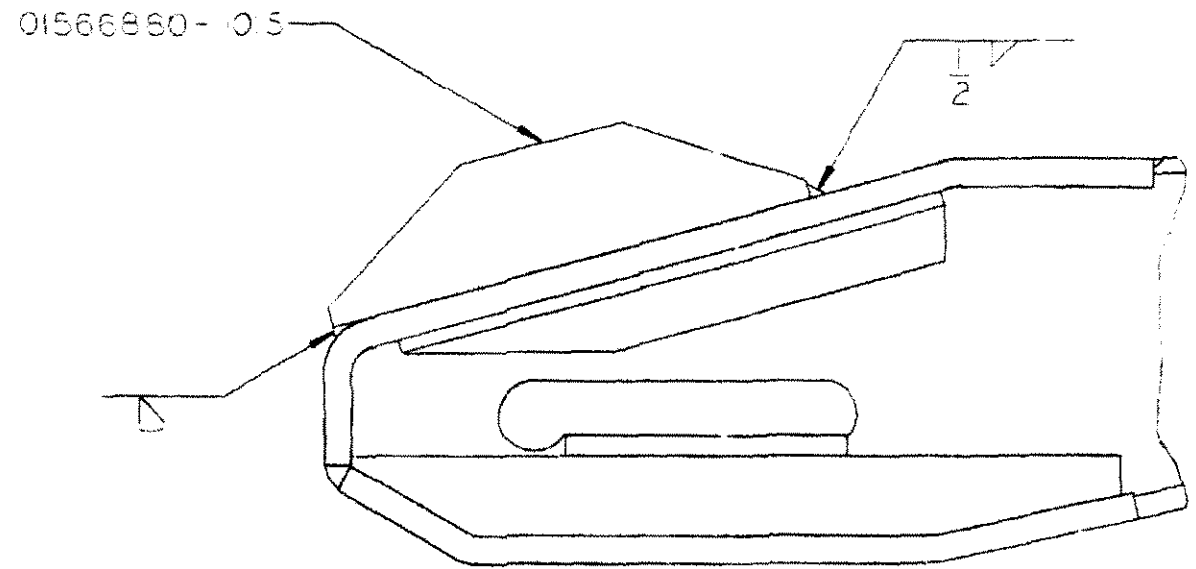
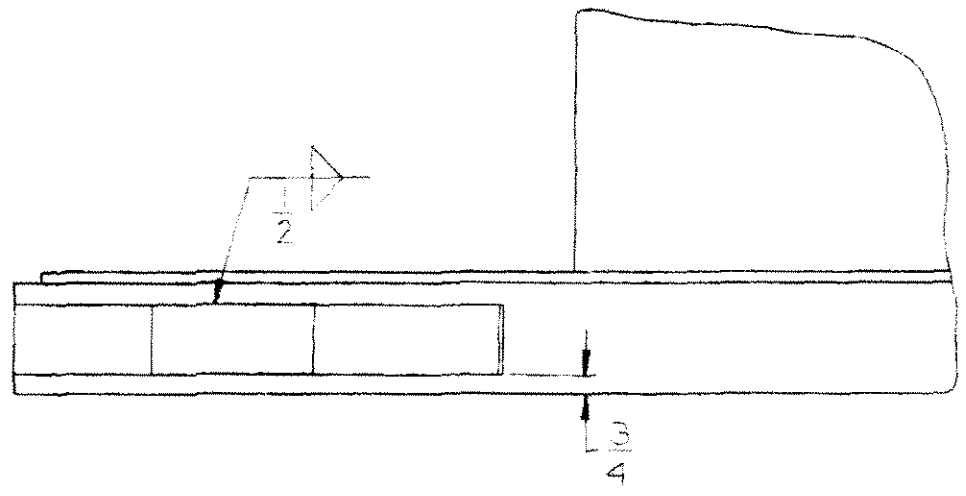
UNLESS OTHERWISE NOTED, ALL DIMENSIONS IN INCHES, MACHINING DIMENSIONS LIMITED TO FRACTIONAL 1/64", ANGULAR POINTS, STRUCTURAL DIMENSIONS LIMITED TO 1/16". DO NOT SCALE THIS DRAWING.
 THIS DRAWING AND ALL INFORMATION THEREIN IS THE PROPERTY OF AND CONFIDENTIAL TO JOY TECHNOLOGIES INCORPORATED. IT MUST NOT BE MADE PUBLIC OR COPIED. IT IS LOANED SUBJECT TO RETURN UPON DEMAND. IT IS NOT TO BE USED DIRECTLY OR INDIRECTLY IN ANY WAY DEPREMIAL TO THE INTERESTS OF JOY TECHNOLOGIES INCORPORATED.

ES043-02 JM5141 BILL OF MATERIAL DATE 03/13/98 PAGE 1

B/M NUMBER	DESCRIPTION	REFERENCE	DATE
00482993 0170	STOPS, ROOF	SK024774 0105 01	
		FCN0629	10/31/84
		FDA0712	08/11/88

QTY	G/P	PART NUMBER	DESCRIPTION	REF NO
2		01566880 1015	DETAIL	

***** END OF B/M PRINT *****



ALL WELDS 70,000 P.S.I. MIN. T.S.

FACTORY
482993-170

FIELD
703500-4757

LITHOPRINT THIS DRAWING

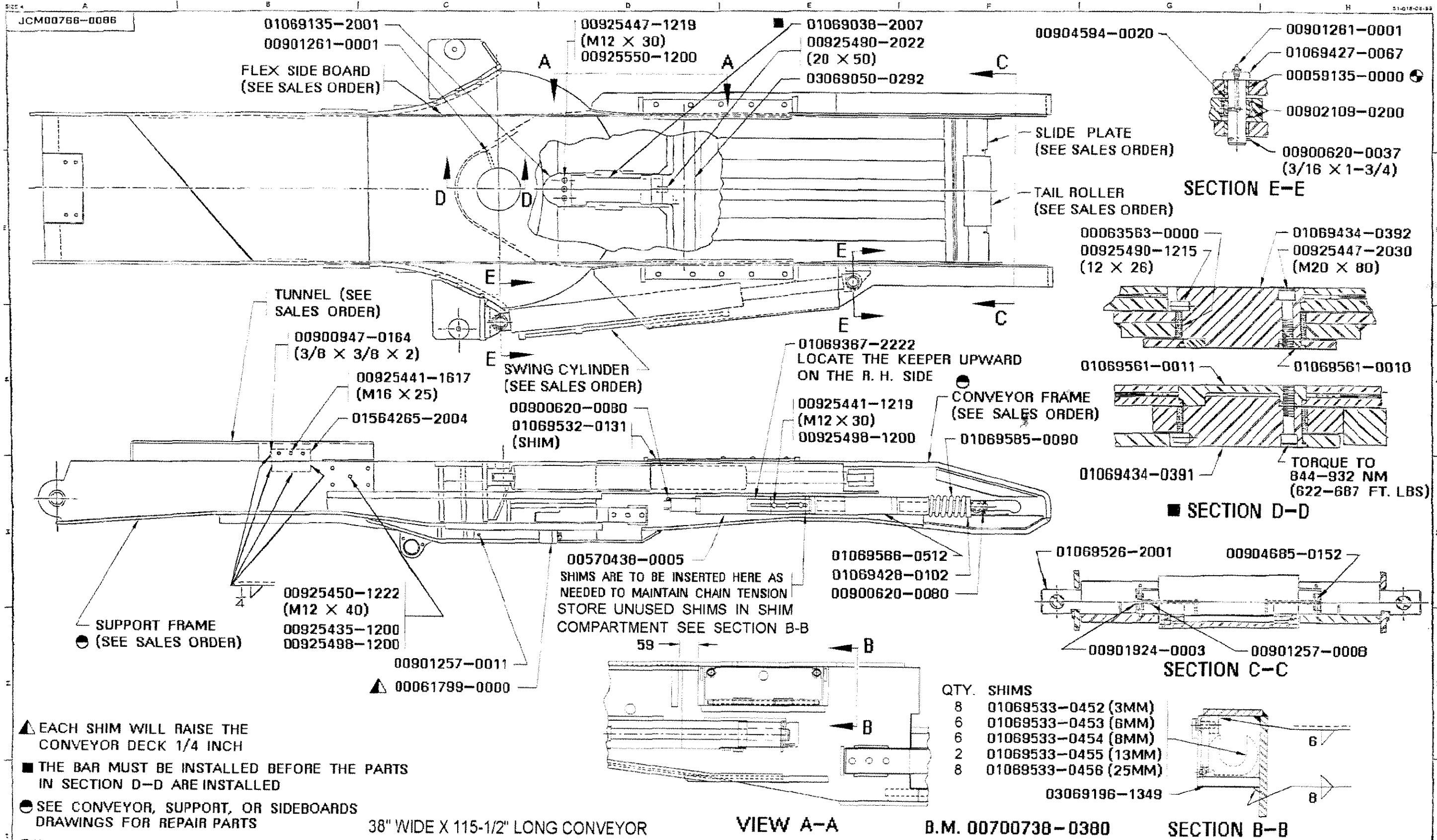
This drawing and all information therein is the property of the JOY MANUFACTURING CO. is confidential and must not be made public or copied. It is loaned subject to return upon demand, is not to be used directly or indirectly in any way detrimental to our interest.	JOY MANUFACTURING CO. PLANT LOCATION AS INDICATED BELOW		PARTS REQ'D TO ADD ROOF STOP TO REAR CONVEYOR 14CM 9&10	
	BIRMINGHAM AL.	LA GRANGE, NC.	SIMILAR TO _____ SUPERSEDED BY _____ REPLACED BY _____	(NAME OR INITIAL & DATE) OR JOY GIPPI ACH TR _____ CK _____ APPD _____
	BUFFALO, NY	NICHESAN CITY, IN		
	CAMBRIDGE, ONT. CANADA	NEW PHILADELPHIA, OH	SCALE _____ CLASS 14CM	
	CLAREMONT, NH		SK24774-105	
E. ISLHURST, SCOTLAND				
FRANKLIN, PA				

***** GLOBAL COMPONENT *****

B/M NUMBER	DESCRIPTION	METRIC	REFERENCE	DATE
00700738 0380	MOUNTING, FRAME, CONVEYOR AND SUPPORT		JCM00766 0086 01	
			FDF3065	02/27/96
			FDF2666	01/10/97
			FDF3568	05/28/97

QTY	G/P	PART NUMBER	DESCRIPTION	REF NO
4	*	00059135 0000	BUSHING	
3	*	00061799 0000	SHIM	
2	*	00063563 0000	BUSHING	
2	*	00570438 0005	CYLINDER, TAKE-UP, GREASE	
2	*	00900620 0037	PIN, COTTER, 3/16 X 1-3/4	
4		00900620 0080	PIN, COTTER, 3/8 X 2	
3		00900947 0164	KEY, 3/8 X 3/8 X 2	
2		00901257 0008	FITTING, GREASE, SHORT, EXTRA, 1/4 PTF	
2		00901257 0011	FITTING, GREASE, SHORT, EXTRA, 1/4 PTF	
2		00901261 0001	FITTING, GREASE, SHORT, EXTRA, 1/8 PTF	
2		00901924 0003	PLUG, HEX SOC,, 1/4 NPTF	
4		00902109 0200	RING, RETAINING	
2		00904594 0020	BUSHING, ASSEMBLED, PLAIN	
2		00904685 0152	PIN, SPRING, .500 X 3.000	
16		00925435 1200	NUT, HEX, STYLE 2, CL. 12, M12 X 1.75	
6		00925441 1219	SCREW, CAP, CL. 10.9, M12 X 1.75 X 3C	
9		00925441 1617	SCREW, CAP, CL. 10.9, M16 X 2 X 25	
3		00925447 1219	SCREW, CAP, CL. 12.9, M12 X 1.75 X 3C	
6		00925447 2030	SCREW, CAP, CL. 12.9, M20 X 2.5 X 80	
16		00925450 1222	SCREW, CAP, CL. 12.9, M12 X 1.75 X 4C	
2		00925490 1215	PIN, DOWELL, 12 X 26 - B	
1		00925490 2022	PIN, DOWELL, 20 X 50 - B	
15		00925498 1200	WASHER, FLAT, GR. A, CLASS 300HV, M12	
3		00925550 1200	WIRE, LOCKING, M12 X 1.8	
1		01069038 2007	DETAIL	
1	*	01069135 2001	CAM	
2	*	01069367 2222	KEEPER	
2	*	01069427 0067	PIN, HEADED	
2	*	01069428 0102	PIN, SHOULDERED	
1	*	01069434 0391	PIN, SPECIAL	
1	*	01069434 0392	PIN, SPECIAL	
2	*	01069526 2001	SHAFT	
2	*	01069532 0131	SHIM, RECTANGLE	
8	*	01069533 0452	SHIM, SPECIAL (3MM)	
6	*	01069533 0453	SHIM, SPECIAL (6MM)	
6	*	01069533 0454	SHIM, SPECIAL (8MM)	
2	*	01069533 0455	SHIM, SPECIAL (13MM)	
8	*	01069533 0456	SHIM, SPECIAL (25MM)	
1	*	01069561 0010	PLATE, SPECIAL	
1	*	01069561 0011	PLATE, SPECIAL	
2	*	01069566 0512	SPACER, SPECIAL	
2	*	01069585 0090	SPRING	
3		01564265 2004	DETAIL	
1	*	03069050 0292	BEAM, STRUCTURAL	
1	*	03069196 1349	COVER	

***** END OF B/M PRINT *****



- ▲ EACH SHIM WILL RAISE THE CONVEYOR DECK 1/4 INCH
- THE BAR MUST BE INSTALLED BEFORE THE PARTS IN SECTION D-D ARE INSTALLED
- SEE CONVEYOR, SUPPORT, OR SIDEBOARDS DRAWINGS FOR REPAIR PARTS
- ⊙ TACK WELD EACH BUSHING 4 PLACES

38" WIDE X 115-1/2" LONG CONVEYOR

VIEW A-A

B.M. 00700736-0380

SECTION B-B

QTY. SHIMS

8	01069533-0452 (3MM)
6	01069533-0453 (6MM)
6	01069533-0454 (8MM)
2	01069533-0455 (13MM)
8	01069533-0456 (25MM)

REV.	INCHES	DESCRIPTION	BY	DATE	APPROVATION
1	1/4	PRECISION POLISH			ROUGH MACHINE
2	1/2	FINE POLISH			ROUGH MACHINE
3	1/2	COARSE POLISH			ROUGH MACHINE
4	1/2	GRIND OR EQUAL			ROUGH MACHINE
5	1/2	SMOOTH MACHINE			ROUGH MACHINE

JOY TECHNOLOGIES INC. FRANKLIN, PENNSYLVANIA 15223		MOUNTING FRAME CONVEYOR AND SUPPORT	
THIS DRAWING AND ALL INFORMATION THEREIN IS THE PROPERTY OF JOY TECHNOLOGIES INC. IT MUST NOT BE MADE PUBLIC OR COPIED, IT IS LOANED SUBJECT TO RETURN UPON DEMAND & NOT TO BE USED DIRECTLY OR INDIRECTLY IN ANY WAY DETRIMENTAL TO OUR INTEREST.		REPLACES SIMILAR TO JCM00786-0071	OR D.A.FOOVER DATE 2/21/87 CLASS SCALE
		JCM00766-0086	

UNLESS OTHERWISE NOTED, ALL DIMENSIONS WHICH ARE NOT SPECIFICALLY IDENTIFIED TO FRACTIONAL DIMENSIONS UNLESS OTHERWISE NOTED TO DECIMALS UNLESS OTHERWISE NOTED TO INCHES. DO NOT SCALE THIS DRAWING.

ALL WELDS MUST BE 483 Mpa MIN TENSILE

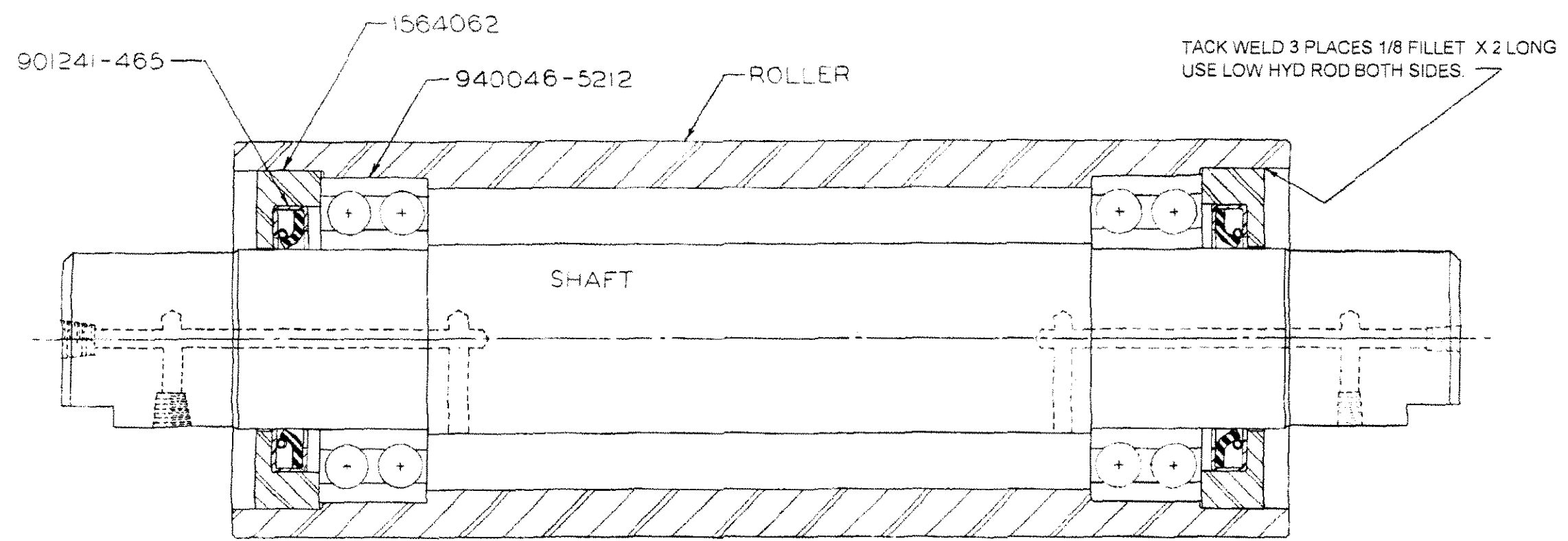
***** GLOBAL COMPONENT *****

B/M NUMBER	DESCRIPTION	REFERENCE	DATE
00531840 0004	ROLLER, TAIL, CHAIN, CONVEYOR	00531840 0004 01	
		FBLO379	01/50/70
		FDF6412	02/03/98

QTY	G/P	PART NUMBER	DESCRIPTION	REF NO
2	*	00901241 0465	SEAL, LIP	
2		00940046 5212	BEARING, BALL	
1		01069527 0092	SHAFT	
2	*	01564062 0000	CARRIER, SEAL	
1	*	01566475 0004	ROLLER	

***** END OF B/M PRINT *****

531840-4



531840-4	01566475 - 0004	1069527-92
ROLLER ASSY.	ROLLER	SHAFT

ENG. ORDER FB 379 DATE ISSUED:	REVISIONS FBR355 FBS186 FBX187 @ FDFB412	FINISH SYMBOLS <table border="1"> <tr> <th>#</th> <th>INCHES</th> <th>DESCRIPTION</th> <th>#</th> <th>INCHES</th> <th>DESCRIPTION</th> </tr> <tr> <td>A</td> <td>.4</td> <td>PRECISION POLISH</td> <td>D</td> <td>.750</td> <td>ROUGH MACH.</td> </tr> <tr> <td>B</td> <td>.8</td> <td>FINE POLISH</td> <td>E</td> <td>.500</td> <td>HEAVY ROUGH</td> </tr> <tr> <td>C</td> <td>.15</td> <td>COMMON POLISH</td> <td>F</td> <td>1.000</td> <td>SS HEAVY ROUGH</td> </tr> <tr> <td>G</td> <td>.25</td> <td>GRIND OR EQUAL</td> <td></td> <td></td> <td></td> </tr> <tr> <td>H</td> <td>.25</td> <td>SMOOTH MACH.</td> <td></td> <td></td> <td></td> </tr> <tr> <td>I</td> <td>.125</td> <td>COMMON MACH.</td> <td></td> <td></td> <td></td> </tr> </table>	#	INCHES	DESCRIPTION	#	INCHES	DESCRIPTION	A	.4	PRECISION POLISH	D	.750	ROUGH MACH.	B	.8	FINE POLISH	E	.500	HEAVY ROUGH	C	.15	COMMON POLISH	F	1.000	SS HEAVY ROUGH	G	.25	GRIND OR EQUAL				H	.25	SMOOTH MACH.				I	.125	COMMON MACH.				JOY MANUFACTURING CO. PL. MNT LOCATION AS INDICATED BELOW <table border="1"> <tr> <td>BUFFALO, N. Y.</td> <td>NEW PHILADELPHIA, O.</td> </tr> <tr> <td>CLAREMONT, N. H.</td> <td></td> </tr> <tr> <td>FRANKLIN, PA.</td> <td></td> </tr> <tr> <td>GALT, ONTARIO, CANADA</td> <td></td> </tr> <tr> <td>GREENOCK, SCOTLAND</td> <td></td> </tr> <tr> <td>RICHMOND CITY, MD.</td> <td></td> </tr> </table>	BUFFALO, N. Y.	NEW PHILADELPHIA, O.	CLAREMONT, N. H.		FRANKLIN, PA.		GALT, ONTARIO, CANADA		GREENOCK, SCOTLAND		RICHMOND CITY, MD.		ROLLER ASSEMBLY SIMILAR TO 531840-3 SUPERSEDED BY _____ REPLACED BY _____ REPLACED BY _____
#	INCHES	DESCRIPTION	#	INCHES	DESCRIPTION																																																					
A	.4	PRECISION POLISH	D	.750	ROUGH MACH.																																																					
B	.8	FINE POLISH	E	.500	HEAVY ROUGH																																																					
C	.15	COMMON POLISH	F	1.000	SS HEAVY ROUGH																																																					
G	.25	GRIND OR EQUAL																																																								
H	.25	SMOOTH MACH.																																																								
I	.125	COMMON MACH.																																																								
BUFFALO, N. Y.	NEW PHILADELPHIA, O.																																																									
CLAREMONT, N. H.																																																										
FRANKLIN, PA.																																																										
GALT, ONTARIO, CANADA																																																										
GREENOCK, SCOTLAND																																																										
RICHMOND CITY, MD.																																																										
UNLESS OTHERWISE NOTED ALL DIMENSIONS IN INCHES MACHINING DIMENSIONS LIMITED TO FRACTIONAL ± 1/64 ORIGINAL ± .001 ANGULAR ± 1/2°. DO NOT SCALE THIS DRAWING.	MATERIAL HEAT TREAT _____ CARBURIZE _____ HARDEN _____ QUENCH _____ DRAW _____ HARDNESS _____	PATTERN NO. _____	NAME OR WITH-IT PAID DR. SP. 5-2-73 TR. _____ CK. _____ APP. _____	SCALE FULL CLASS 148010 531840-4																																																						

B/M NUMBER	DESCRIPTION	INCHES	REFERENCE	DATE
00500140 3339	CYLINDER		00500140 3297 01	
	REPLACES 00500140 1339 REPLC BY		FDE4543	09/06/94
	(ITEMS 1,3,4,6,7,8,11 AND 12 ARE		FDF5972	02/02/98
	AVAILABLE AS SEAL KIT 00506205-1815)			

QTY	G/P	PART NUMBER	DESCRIPTION	REF NO
1		00506205 2415	PISTON, UNITIZED	013
		-	(INCLUDES 03190218-0067 SEAL, ITEM 11)	
1		00900947 1697	KEY, 1/2 X 1/4 X 2-1/2	014
1		00906893 0102	CLOSURES, PROTECTIVE	016
1		00907865 0344	O-RING (1/8 X 3-7/8" I.D.)	007
1		00908388 0344	RING, BACK-UP	006
2		00910656 0224	O-RING	012
1		03189949 0279	CYLINDER, MAIN	019
1		03190014 0088	GLAND	002
1		03190038 0096	HEAD	009
1		03190122 0193	PACKING	004
1		03190154 0046	PLUG, NYLOC	003
1		03190154 0047	PLUG, NYLON	008
1		03190194 0519	ROD	018
1		03190338 0017	WIPER	001
1		03190455 0057	RING, WEAR	005

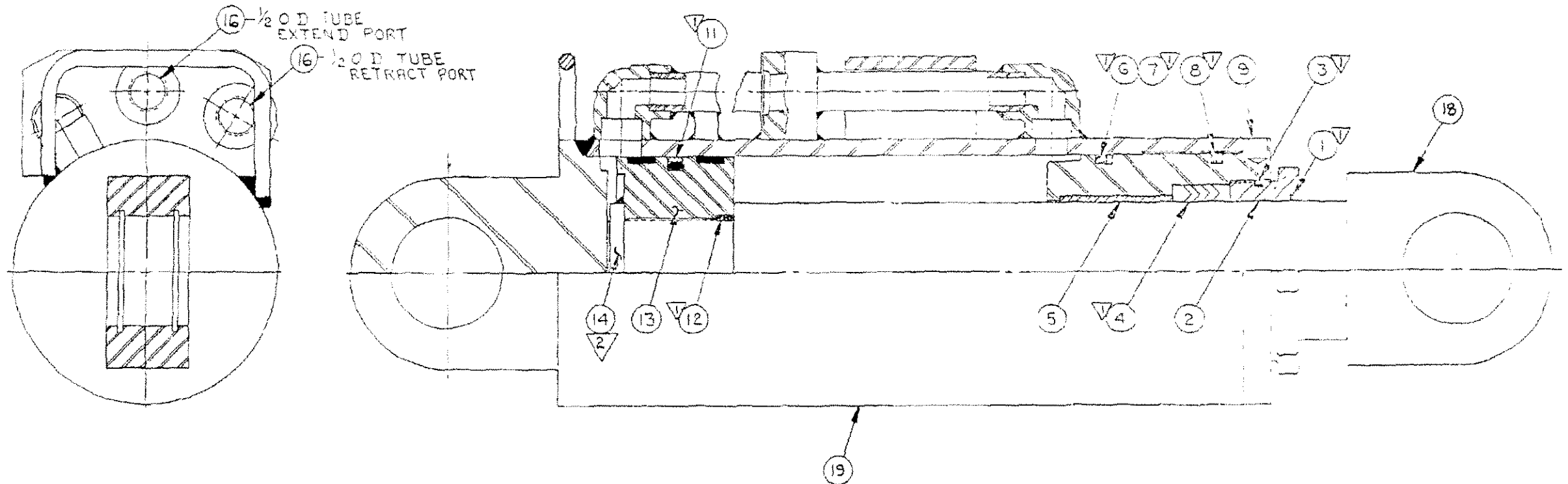
***** END OF B/M PRINT *****

60500140-3297

DO NOT SCALE

WELDING STANDARDS
BY METHOD

PROJECTION
THIRD ANGLE

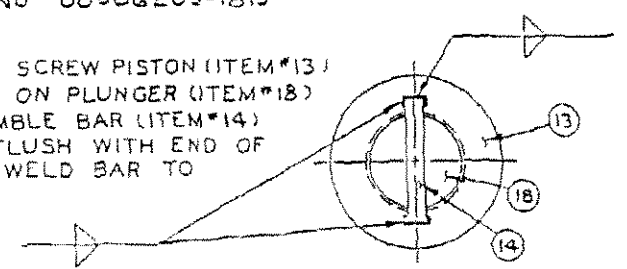


CYLINDER	RELEASE	REVISIONS				
00500140-3297	FCF980	FCN125	FDC3421	FDC3049	FDE4543	PDF5972
00500140-3339	FCF980	FCN125	FDC3049	FDE4543	PDF5972	

NOTES:

1 SEAL KIT
JOY TECH NO 0050G205-1815

2 ASS'Y NOTE SCREW PISTON (ITEM #13)
DOWN TIGHT ON PLUNGER (ITEM #18)
THEN ASSEMBLE BAR (ITEM #14)
IN PLACE, FLUSH WITH END OF
PLUNGER & WELD BAR TO
PISTON



MAX OPERATING PRESSURE=2000 PSI

ENGR. ORDER FCF980 DATE ISSUED:	REVISIONS (B) FCN125 (C) DC3421 (D) FDC3049 (E) FDE4543 (F) PDF5972	TOLERANCE TO BE AS SPECIFIED BELOW UNLESS OTHERWISE STATED ALL DIMENSIONS IN MILLIMETERS UNLESS OTHERWISE STATED MACHINING .125mm .250mm .500mm 1.000mm 1.500mm 2.000mm 3.000mm 4.000mm 5.000mm 6.000mm 8.000mm 10.000mm 12.500mm 15.000mm 20.000mm 25.000mm 30.000mm 40.000mm 50.000mm 63.000mm 80.000mm 100.000mm 125.000mm 160.000mm 200.000mm 250.000mm 315.000mm 400.000mm 500.000mm 630.000mm 800.000mm 1000.000mm 1250.000mm 1600.000mm 2000.000mm 2500.000mm 3150.000mm 4000.000mm 5000.000mm 6300.000mm 8000.000mm 10000.000mm 12500.000mm 16000.000mm 20000.000mm 25000.000mm 31500.000mm 40000.000mm 50000.000mm 63000.000mm 80000.000mm 100000.000mm 125000.000mm 160000.000mm 200000.000mm 250000.000mm 315000.000mm 400000.000mm 500000.000mm 630000.000mm 800000.000mm 1000000.000mm 1250000.000mm 1600000.000mm 2000000.000mm 2500000.000mm 3150000.000mm 4000000.000mm 5000000.000mm 6300000.000mm 8000000.000mm 10000000.000mm 12500000.000mm 16000000.000mm 20000000.000mm 25000000.000mm 31500000.000mm 40000000.000mm 50000000.000mm 63000000.000mm 80000000.000mm 100000000.000mm 125000000.000mm 160000000.000mm 200000000.000mm 250000000.000mm 315000000.000mm 400000000.000mm 500000000.000mm 630000000.000mm 800000000.000mm 1000000000.000mm 1250000000.000mm 1600000000.000mm 2000000000.000mm 2500000000.000mm 3150000000.000mm 4000000000.000mm 5000000000.000mm 6300000000.000mm 8000000000.000mm 10000000000.000mm 12500000000.000mm 16000000000.000mm 20000000000.000mm 25000000000.000mm 31500000000.000mm 40000000000.000mm 50000000000.000mm 63000000000.000mm 80000000000.000mm 100000000000.000mm 125000000000.000mm 160000000000.000mm 200000000000.000mm 250000000000.000mm 315000000000.000mm 400000000000.000mm 500000000000.000mm 630000000000.000mm 800000000000.000mm 1000000000000.000mm 1250000000000.000mm 1600000000000.000mm 2000000000000.000mm 2500000000000.000mm 3150000000000.000mm 4000000000000.000mm 5000000000000.000mm 6300000000000.000mm 8000000000000.000mm 10000000000000.000mm 12500000000000.000mm 16000000000000.000mm 20000000000000.000mm 25000000000000.000mm 31500000000000.000mm 40000000000000.000mm 50000000000000.000mm 63000000000000.000mm 80000000000000.000mm 100000000000000.000mm 125000000000000.000mm 160000000000000.000mm 200000000000000.000mm 250000000000000.000mm 315000000000000.000mm 400000000000000.000mm 500000000000000.000mm 630000000000000.000mm 800000000000000.000mm 1000000000000000.000mm 1250000000000000.000mm 1600000000000000.000mm 2000000000000000.000mm 2500000000000000.000mm 3150000000000000.000mm 4000000000000000.000mm 5000000000000000.000mm 6300000000000000.000mm 8000000000000000.000mm 10000000000000000.000mm 12500000000000000.000mm 16000000000000000.000mm 20000000000000000.000mm 25000000000000000.000mm 31500000000000000.000mm 40000000000000000.000mm 50000000000000000.000mm 63000000000000000.000mm 80000000000000000.000mm 100000000000000000.000mm 125000000000000000.000mm 160000000000000000.000mm 200000000000000000.000mm 250000000000000000.000mm 315000000000000000.000mm 400000000000000000.000mm 500000000000000000.000mm 630000000000000000.000mm 800000000000000000.000mm 1000000000000000000.000mm 1250000000000000000.000mm 1600000000000000000.000mm 2000000000000000000.000mm 2500000000000000000.000mm 3150000000000000000.000mm 4000000000000000000.000mm 5000000000000000000.000mm 6300000000000000000.000mm 8000000000000000000.000mm 10000000000000000000.000mm 12500000000000000000.000mm 16000000000000000000.000mm 20000000000000000000.000mm 25000000000000000000.000mm 31500000000000000000.000mm 40000000000000000000.000mm 50000000000000000000.000mm 63000000000000000000.000mm 80000000000000000000.000mm 100000000000000000000.000mm 125000000000000000000.000mm 160000000000000000000.000mm 200000000000000000000.000mm 250000000000000000000.000mm 315000000000000000000.000mm 400000000000000000000.000mm 500000000000000000000.000mm 630000000000000000000.000mm 800000000000000000000.000mm 1000000000000000000000.000mm 1250000000000000000000.000mm 1600000000000000000000.000mm 2000000000000000000000.000mm 2500000000000000000000.000mm 3150000000000000000000.000mm 4000000000000000000000.000mm 5000000000000000000000.000mm 6300000000000000000000.000mm 8000000000000000000000.000mm 10000000000000000000000.000mm 12500000000000000000000.000mm 16000000000000000000000.000mm 20000000000000000000000.000mm 25000000000000000000000.000mm 31500000000000000000000.000mm 40000000000000000000000.000mm 50000000000000000000000.000mm 63000000000000000000000.000mm 80000000000000000000000.000mm 100000000000000000000000.000mm 125000000000000000000000.000mm 160000000000000000000000.000mm 200000000000000000000000.000mm 250000000000000000000000.000mm 315000000000000000000000.000mm 400000000000000000000000.000mm 500000000000000000000000.000mm 630000000000000000000000.000mm 800000000000000000000000.000mm 1000000000000000000000000.000mm 1250000000000000000000000.000mm 1600000000000000000000000.000mm 2000000000000000000000000.000mm 2500000000000000000000000.000mm 3150000000000000000000000.000mm 4000000000000000000000000.000mm 5000000000000000000000000.000mm 6300000000000000000000000.000mm 8000000000000000000000000.000mm 10000000000000000000000000.000mm 12500000000000000000000000.000mm 16000000000000000000000000.000mm 20000000000000000000000000.000mm 25000000000000000000000000.000mm 31500000000000000000000000.000mm 40000000000000000000000000.000mm 50000000000000000000000000.000mm 63000000000000000000000000.000mm 80000000000000000000000000.000mm 100000000000000000000000000.000mm 125000000000000000000000000.000mm 160000000000000000000000000.000mm 200000000000000000000000000.000mm 250000000000000000000000000.000mm 315000000000000000000000000.000mm 400000000000000000000000000.000mm 500000000000000000000000000.000mm 630000000000000000000000000.000mm 800000000000000000000000000.000mm 1000000000000000000000000000.000mm 1250000000000000000000000000.000mm 1600000000000000000000000000.000mm 2000000000000000000000000000.000mm 2500000000000000000000000000.000mm 3150000000000000000000000000.000mm 4000000000000000000000000000.000mm 5000000000000000000000000000.000mm 6300000000000000000000000000.000mm 8000000000000000000000000000.000mm 10000000000000000000000000000.000mm 12500000000000000000000000000.000mm 16000000000000000000000000000.000mm 20000000000000000000000000000.000mm 25000000000000000000000000000.000mm 31500000000000000000000000000.000mm 40000000000000000000000000000.000mm 50000000000000000000000000000.000mm 63000000000000000000000000000.000mm 80000000000000000000000000000.000mm 100000000000000000000000000000.000mm 125000000000000000000000000000.000mm 160000000000000000000000000000.000mm 200000000000000000000000000000.000mm 250000000000000000000000000000.000mm 315000000000000000000000000000.000mm 400000000000000000000000000000.000mm 500000000000000000000000000000.000mm 630000000000000000000000000000.000mm 800000000000000000000000000000.000mm 1000000000000000000000000000000.000mm 1250000000000000000000000000000.000mm 1600000000000000000000000000000.000mm 2000000000000000000000000000000.000mm 2500000000000000000000000000000.000mm 3150000000000000000000000000000.000mm 4000000000000000000000000000000.000mm 5000000000000000000000000000000.000mm 6300000000000000000000000000000.000mm 8000000000000000000000000000000.000mm 10000000000000000000000000000000.000mm 12500000000000000000000000000000.000mm 16000000000000000000000000000000.000mm 20000000000000000000000000000000.000mm 25000000000000000000000000000000.000mm 31500000000000000000000000000000.000mm 40000000000000000000000000000000.000mm 50000000000000000000000000000000.000mm 63000000000000000000000000000000.000mm 80000000000000000000000000000000.000mm 100000000000000000000000000000000.000mm 125000000000000000000000000000000.000mm 160000000000000000000000000000000.000mm 200000000000000000000000000000000.000mm 250000000000000000000000000000000.000mm 315000000000000000000000000000000.000mm 400000000000000000000000000000000.000mm 500000000000000000000000000000000.000mm 630000000000000000000000000000000.000mm 800000000000000000000000000000000.000mm 1000000000000000000000000000000000.000mm 1250000000000000000000000000000000.000mm 1600000000000000000000000000000000.000mm 2000000000000000000000000000000000.000mm 2500000000000000000000000000000000.000mm 3150000000000000000000000000000000.000mm 4000000000000000000000000000000000.000mm 5000000000000000000000000000000000.000mm 6300000000000000000000000000000000.000mm 8000000000000000000000000000000000.000mm 10000000000000000000000000000000000.000mm 12500000000000000000000000000000000.000mm 16000000000000000000000000000000000.000mm 20000000000000000000000000000000000.000mm 25000000000000000000000000000000000.000mm 31500000000000000000000000000000000.000mm 40000000000000000000000000000000000.000mm 50000000000000000000000000000000000.000mm 63000000000000000000000000000000000.000mm 80000000000000000000000000000000000.000mm 100000000000000000000000000000000000.000mm 125000000000000000000000000000000000.000mm 160000000000000000000000000000000000.000mm 200000000000000000000000000000000000.000mm 250000000000000000000000000000000000.000mm 315000000000000000000000000000000000.000mm 400000000000000000000000000000000000.000mm 500000000000000000000000000000000000.000mm 630000000000000000000000000000000000.000mm 800000000000000000000000000000000000.000mm 1000000000000000000000000000000000000.000mm 1250000000000000000000000000000000000.000mm 1600000000000000000000000000000000000.000mm 2000000000000000000000000000000000000.000mm 2500000000000000000000000000000000000.000mm 3150000000000000000000000000000000000.000mm 4000000000000000000000000000000000000.000mm 5000000000000000000000000000000000000.000mm 6300000000000000000000000000000000000.000mm 8000000000000000000000000000000000000.000mm 10000000000000000000000000000000000000.000mm 12500000000000000000000000000000000000.000mm 16000000000000000000000000000000000000.000mm 20000000000000000000000000000000000000.000mm 25000000000000000000000000000000000000.000mm 31500000000000000000000000000000000000.000mm 40000000000000000000000000000000000000.000mm 50000000000000000000000000000000000000.000mm 63000000000000000000000000000000000000.000mm 80000000000000000000000000000000000000.000mm 100000000000000000000000000000000000000.000mm 125000000000000000000000000000000000000.000mm
--	---	--

B/M NUMBER	DESCRIPTION	REFERENCE	DATE
00703481 0017	MOUNTING, CONVEYOR ASSEMBLY	JCM00870 0018 01	
		FDC6995	09/19/91
		FDC7285	11/07/91

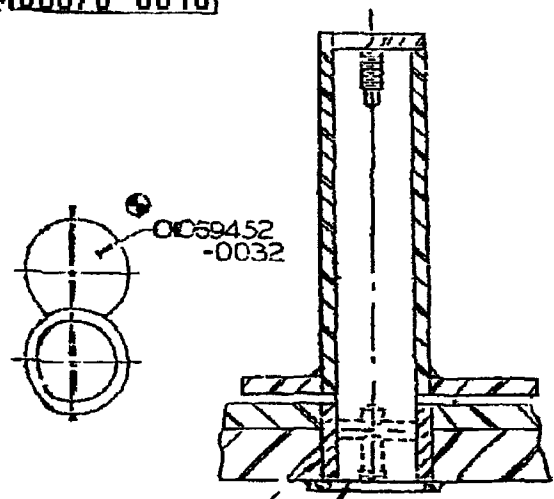
QTY	G/P	PART NUMBER	DESCRIPTION	REF NO
4		00900012 0014	SCREW, CAP, GR. 5, 1/2-13 X 1	
4		00900012 0035	SCREW, CAP, GR. 5, 5/8-11 X 1-1/2	
4		00900302 0004	WASHER, LOCK, 1/2	
4		00900302 0064	WASHER, LOCK, 5/8	
4		00900322 0013	WASHER, 5/8	
4		01069367 0170	KEEPER	
4	*	01069432 0691	PIN, PLAIN	
5	*	01069532 0162	SHIM, RECTANGULAR	
5		01069532 0163	SHIM, RECTANGULAR	
2		03069427 0280	PIN	
2		03069540 2002	SHOE	

***** END OF B/M PRINT *****

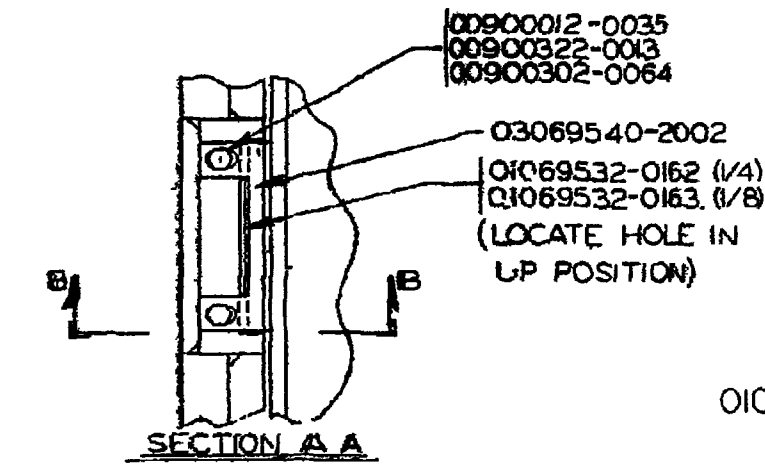
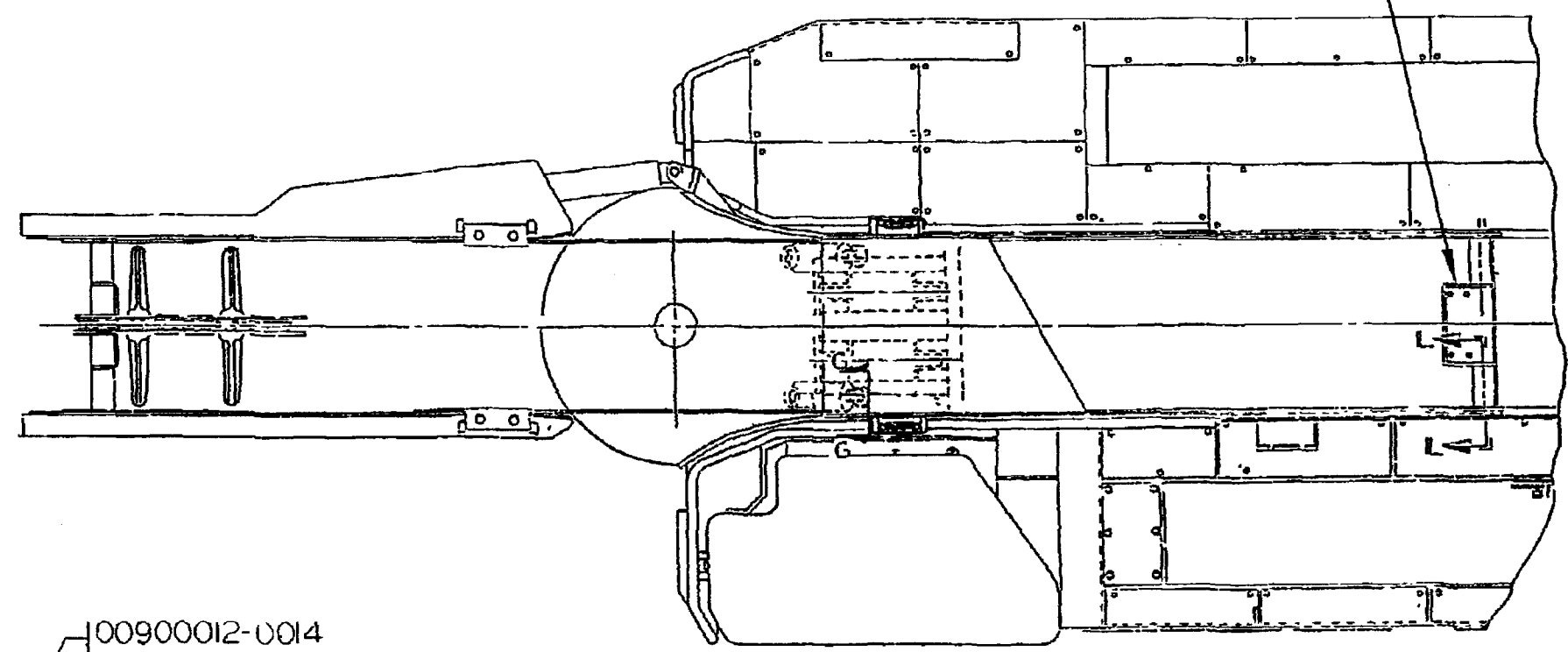
JCM00870-0018

KEEPER PLATE

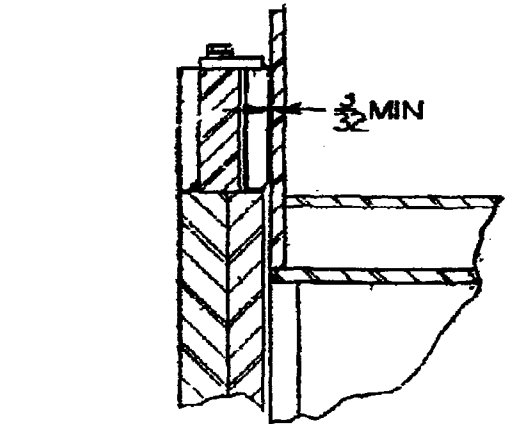
- 03061761-0006(14CM15/14CM14)
- 00A61761-0000(14CM9/14CM1)



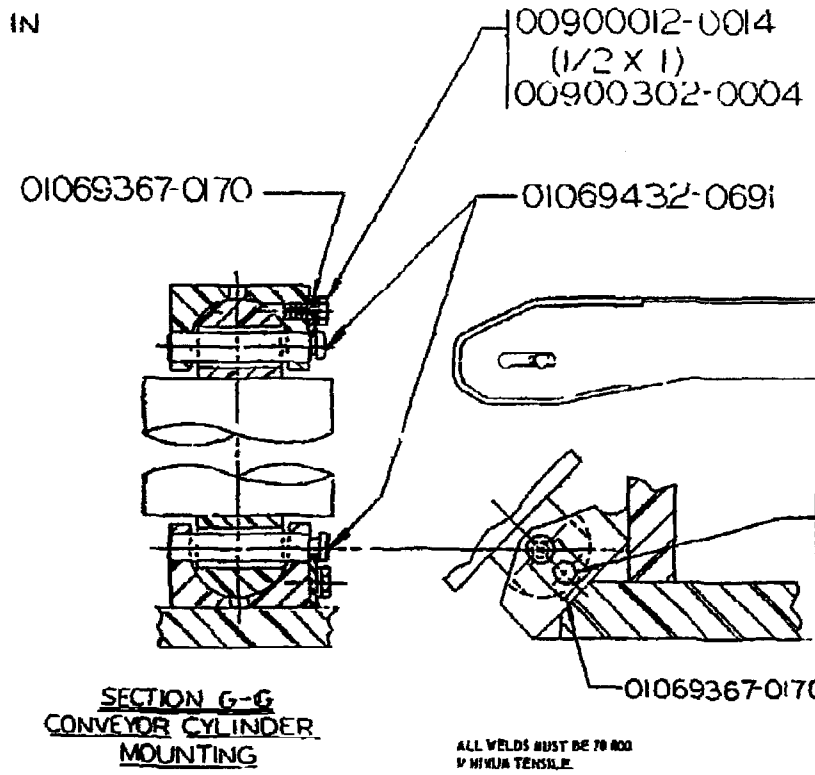
01069128-0164
030E9427-0280
**SECTION L-L
CONVEYOR HINGE PIN**



00900012-0035
00900322-0013
00900302-0064
03069540-2002
01069532-0162 (1/4)
01069532-0163 (1/8)
(LOCATE HOLE IN LP POSITION)

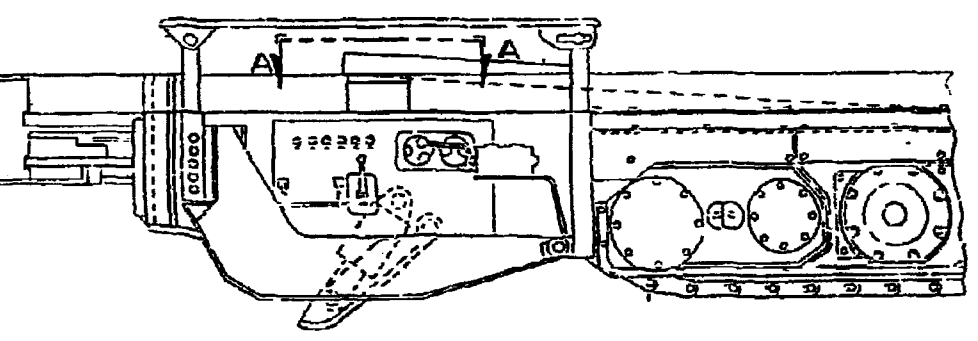


SECTION B-B
● FOR SERVICE REF ONLY



00900012-0014 (1/2 x 1)
00900302-0004
01069367-0170
01069432-0691
00900012-0014 (1/2 x 1)
00900302-0004
01069367-0170

ALL WELDS MUST BE TO 800 PSI MIN TENSILE



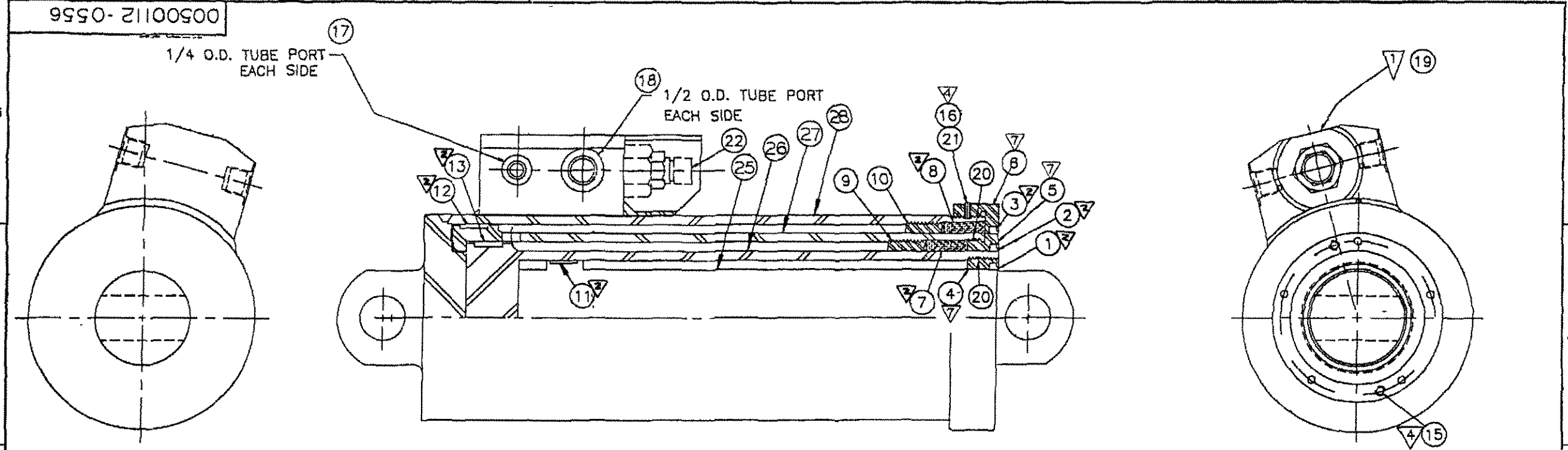
BM: 00703481-0017

ENG ORDER FDC6995	REVISIONS 1 2 3	FDC 1245 FDC 2193 FDC 4312 1003718	REV. 01 01-01-80	JOY TECHNOLOGIES INC 1000 N. 10TH ST. DENVER, CO 80202	MOUNTING CONVEYOR ASSEMBLY FORWARD PIVOT KURTZ 3/12/81	JCM00870-0018
----------------------	--------------------------	---	---------------------	--	---	---------------

B/M Number	Description	Reference	Date	Sheet
00500112-0556	CYLINDER, ELEVATE, CONVEYOR	00500112-0556 1019189	09/13/2000	01

Qty	UOM	Part Number	Description	Ref No
1	EA	00506205-1846	CYLINDER, MAIN	10
1	EA	00506205-1851	SLEEVE	20
1	EA	00534613-0022	VALVE, CHECK	30
1	EA	00900531-0031	SCREW, SET, 1/4-20 X 3/8	40
1	EA	00900574-0003	BALL, 3/16	50
2	EA	00910618-0004	PLUG, 1/4 "O"	60
2	EA	00910618-0008	PLUG, 1/2 "O"	70
1	EA	01190149-0135	PLATE	80
1	EA	01190186-0127	RING, STOP	90
1	EA	01567707-0032	BEARING	100
1	EA	01700764-0000	NUT	110
1	EA	01701122-0000	PACKING	120
1	EA	01701123-0000	RING, WIPER	130
1	EA	01701202-0000	RING, BEARING	140
1	EA	01701203-0000	RING, BEARING	150
1	EA	01701205-0000	RING, STOP	160
1	EA	01701335-0000	RING, WIPER	170
1	EA	01701346-0000	NUT, PACKING	180
2	EA	01701347-0000	SCREW, SET	190
1	EA	01701397-0000	PACKING	200
1	EA	01701915-0000	NUT	210
1	EA	01701933-0000	WIPER	220
1	EA	03069546-0037	SLEEVE	230
2	EA	03190154-0046	PLUG, NYLOC	240
1	EA	100029027	Rod, Piston, Cylinder	250

***** End of Bill of Material *****



1 SHIPPERS NOTE: THE PLATE BELOW MUST BE ATTACHED TO THE TOP OF THE VALVE BLOCK BEFORE SHIPPING.

JOY MANUFACTURING CO.
 CERTIFIED CYLINDER
 THIS CYLINDER MEETS MINIMUM STANDARDS REQUIRED BY THE SYSTEM IT IS USED IN. ANY MODIFICATION OF THIS UNIT WITHOUT APPROVAL BY JOY VOIDS THE CERTIFICATION. TO MAINTAIN SYSTEM CERTIFICATION USE JOY REPLACEMENT PARTS OR EQUAL.
 1190149-135

- 2 INCLUDED IN SERVICE KIT 03069366-0035
- 3 MAX. OPERATING PRESSURE = 2000 PSI
- 4 APPLY LOCTITE 242 TO SET SCREWS
- 5 TEST CYLINDER AT 2500 PSI
- 6 PLUNGER IS USED ONLY FOR MECHANICAL OPERATION
- 7 APPLY LOCTITE 262 TO THREADS OF PACKING NUTS

00500112-0556.	1 THRU 22 25 THRU 28				
JOY PT. NO.	CONSIST OF ITEMS				

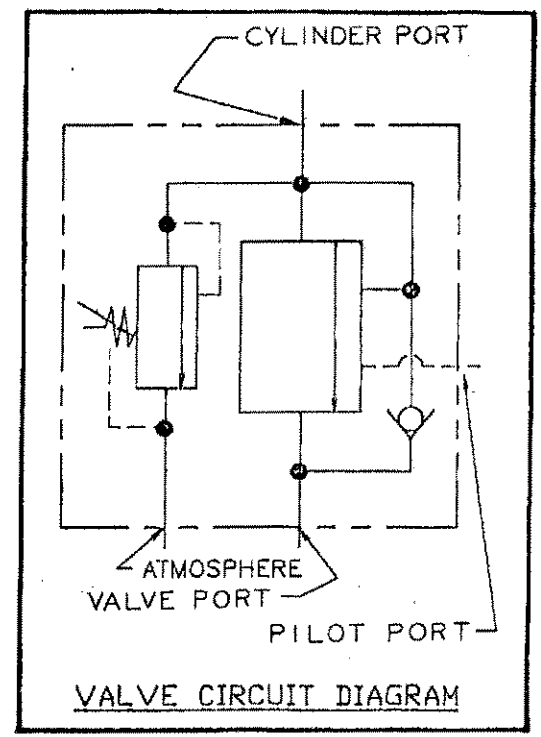
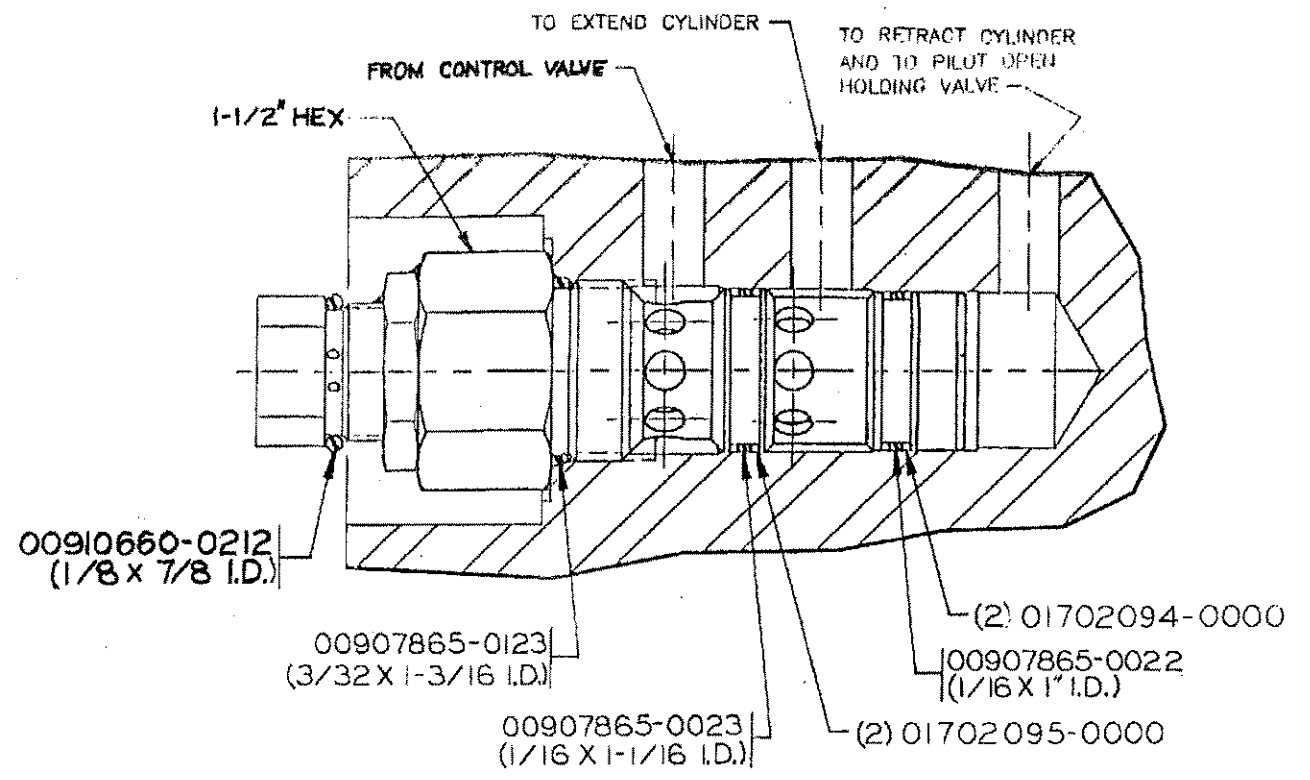
ENG ORDER FDC6068	REVISIONS	FDC784 FDE0788 FDE4509	FINISH SYMBOLS		JOY TECHNOLOGIES INC FRANKLIN PENNSYLVANIA 16822	CYLINDER, ELEVATE, CONVEYOR
UNLESS OTHERWISE NOTED ALL DIMENSIONS IN INCHES MACHINING DIMENSIONS LIMITED TO FRACTIONAL & 1/16" ANGULAR ± 1/2° STRUCTURAL DIMENSIONS LIMITED TO ± 1/16". DO NOT SCALE THIS DRAWING			2 MICRO INCHES	DESCRIPTION	2 MICRO INCHES	DESCRIPTION
MATERIAL			A 4	PRECISION POLISH	F 125	COMMON MACHINE
HEAT TREAT			B 8	FINE POLISH	G 250	ROUGH MACHINE
HARDNESS			C 16	COMMON POLISH	H 500	HEAVY ROUGH
CARBURIZE (CDD)			D 32	BRIND OR EQUAL	K 1000	EX HEAVY ROUGH
			F 83	SMOOTH MACHINE		
PATTERN NO	LITHOPRINT	YES <input checked="" type="checkbox"/> NO <input type="checkbox"/>	THIS DRAWING AND ALL INFORMATION THEREIN IS THE PROPERTY OF AND CONFIDENTIAL TO JOY TECHNOLOGIES INC. IT MUST NOT BE MADE PUBLIC OR COPIED. IT IS LOANED SUBJECT TO RETURN UPON DEMAND. IS NOT TO BE USED DIRECTLY OR INDIRECTLY IN ANY WAY DETRIMENTAL TO OUR INTEREST.			
					SIMILAR TO	DR. R. MCNANY
					REPLACES	DATE 05/06/91
					REPLACED BY	CLASS JAGM
					SCALE	00500112-0556

00534613-0020

DO NOT SCALE

WELDING STANDARD IS ISO METHOD A
PROJECTION THIRD ANGLE

NOTES:
ALL SEALS CAN BE ORDERED AS SEAL KIT 00506205-2225
VALVES ARE SUPPLIED WITH BLACK OXIDE FINISH.



00534613-0024	2750 ± 50	00534613-0010	FDE4543	FDE6334	FDE7930
00534613-0023	2500 ± 50	00534613-0009	FDE4543	FDE6334	FDE7930
00534613-0022	2000 ± 50	00534613-0008	FDE4543	FDE6334	FDE7930
00534613-0021	1500 ± 50	00534613-0007	FDE4543	FDE6334	FDE7930
00534613-0020	825 ± 50	00534613-0011	FDE4543	FDE6334	FDE7930
JOY PT. NO.	RELIEF PRESSURE SETTING	REPLACES	RELEASING E.O.	REVISIONS	

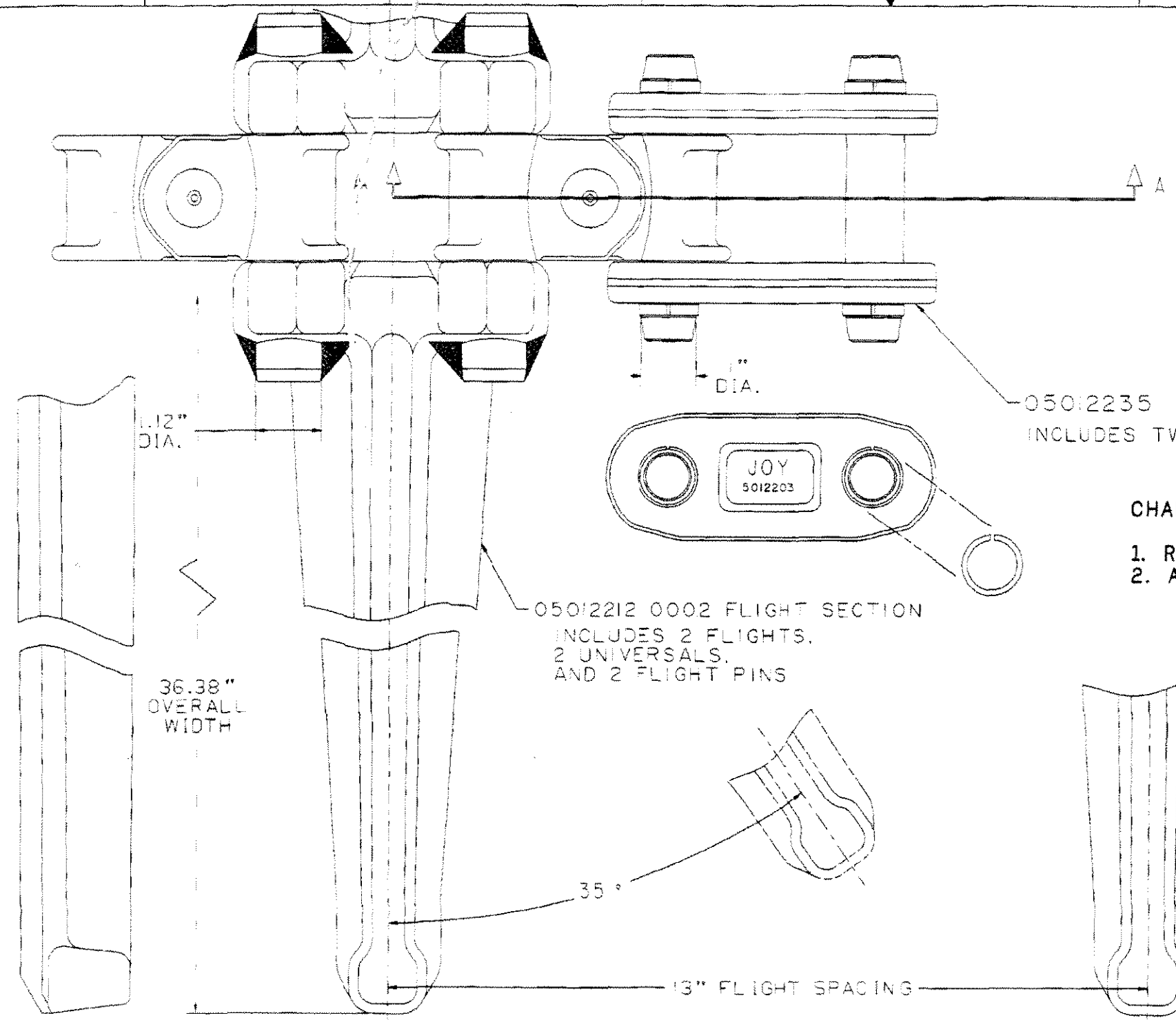
ENG ORDER FDE4543 DATE ISSUED:	REVISIONS FDE6334 FDE7930	TOLERANCE TO BE AS SPECIFIED BELOW UNLESS OTHERWISE STATED ALL DIMENSIONS IN MILLIMETERS UNLESS OTHERWISE STATED MACHINING: 1.0mm FABRICATION PLATE & STRUCTURAL WORK: 1.5mm CASTINGS: 1.5mm WALL THICKNESS: 1.5mm	FINISH SYMBOLS A 4 N3 0.1 PRECISION POLISH B 8 N4 0.2 FINE POLISH C 16 N5 0.4 COMMON POLISH D 32 N6 0.8 GRIND OR EQUAL E 63 N7 1.6 SMOOTH MACHINE	OR: SCHMOUTZ DATE: 14 AUG 94 TITLE: VALVE, CHECK (PILOT OPER. ATMOS. RELIEF) SCALE: CLASS: MINERS	PLANT LOCATION: FRANKLIN, PA DWG. NO.: 00534613-0020
MATERIAL: HEAT TREAT: FINISHES: CATHURIZE (ECO):	PATTERN NO: DWG. DIMS: IMPERIAL METRIC	ALL DIMENSIONS IN INCHES UNLESS OTHERWISE STATED MACHINING: 0.005 FABRICATION PLATE & STRUCTURAL WORK: 0.010 CASTINGS: 0.015 WALL THICKNESS: 0.015	THIS DRAWING AND ALL INFORMATION THEREIN IS THE PROPERTY OF AND CONFIDENTIAL TO JOY TECHNOLOGIES, INC. IT MUST NOT BE MADE PUBLIC OR COPIED. IT IS LOANED SUBJECT TO RETURN UPON DEMAND. IS NOT TO BE USED DIRECTLY OR INDIRECTLY IN ANY WAY DETRIMENTAL TO OUR INTEREST.	DATE: _____ DATE: _____ DATE: _____ SIMILAR TO: _____ REPLACES: _____ REPLACED BY: _____	OR: _____ DATE: _____ DATE: _____ DATE: _____ SIMILAR TO: _____ REPLACES: _____ REPLACED BY: _____

B/M NUMBER	DESCRIPTION	REFERENCE	DATE
00509192 0060	CONV.CH.3-1/4P. BO	00509192 0000 01	
		FCQ0195	02/18/88
		FCQ0249	03/09/89
		FCQ0441	00/00/00

QTY	G/P	PART NUMBER	DESCRIPTION	REF NO
14		01451897 0000	PLATE, SIDE	
1		01451897 0001	PLATE, SIDE	
30		01452036 0001	FLT.PIN	BN
30		01452040 0000	FLIGHT	
30		01452051 0001	RING, RETAINING	
15		05012234 0000	LINK, CONNECTOR	
30		05012265 0001	LINK, SWIVEL	

***** END OF B/M PRINT *****

DRAWING NO.		00509192 0000	
REVISIONS			
ZONE	REV	DATE	APPROVED
A	FC00195		
B	FC02249	9 MAR 89	
C	FC00595		



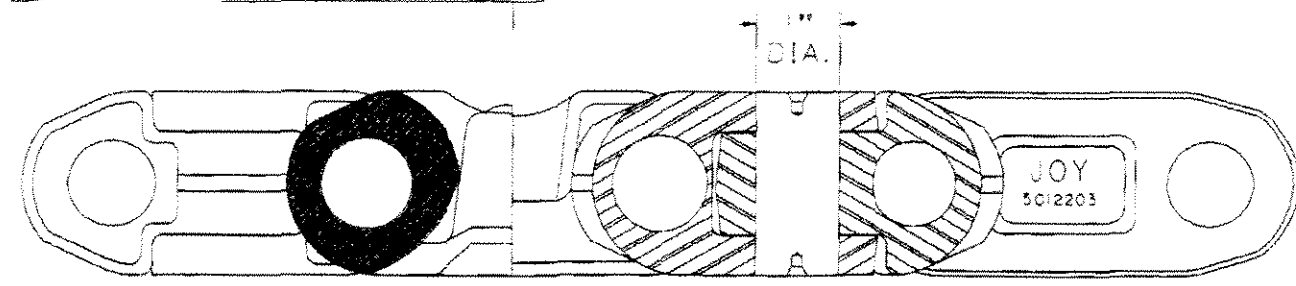
NOTE:
 ONE FLIGHT SECTION IS
 INVERTED IN EACH CHAIN
 PACKAGE FOR RETURN
 DECK CLEANING PURPOSES.

05012235 CONNECTING LINK
 INCLUDES TWO 01452051 0001 RETAINING RINGS

- CHAIN CAN BE SHORTENED 6.5 INCHES MINIMUM BY :
1. REMOVING ONE FLIGHT SECTION (3 PITCHES).
 2. ADDING ONE 1451898-0000 ROLLER LINK (1 PITCH).

05012212 0002 FLIGHT SECTION
 INCLUDES 2 FLIGHTS,
 2 UNIVERSALS,
 AND 2 FLIGHT PINS

PACKAGE NUMBER	NUMBER OF FLIGHT SECTIONS	LENGTH
00509192 0048	12	13'
00509192 0052	13	14' 1"
00509192 0056	14	15' 2"
00509192 0060	15	16' 3"



SECTION A-A

"THIS DRAWING AND ALL INFORMATION THEREIN IS THE PROPERTY OF AND CONFIDENTIAL TO THE JOY MANUFACTURING COMPANY. IT MUST NOT BE MADE PUBLIC OR COPIED. IT IS LOANED SUBJECT TO RETURN UPON DEMAND. IT IS NOT TO BE USED DIRECTLY OR INDIRECTLY IN ANY WAY DETRIMENTAL TO THE INTERESTS OF THE JOY MANUFACTURING COMPANY."

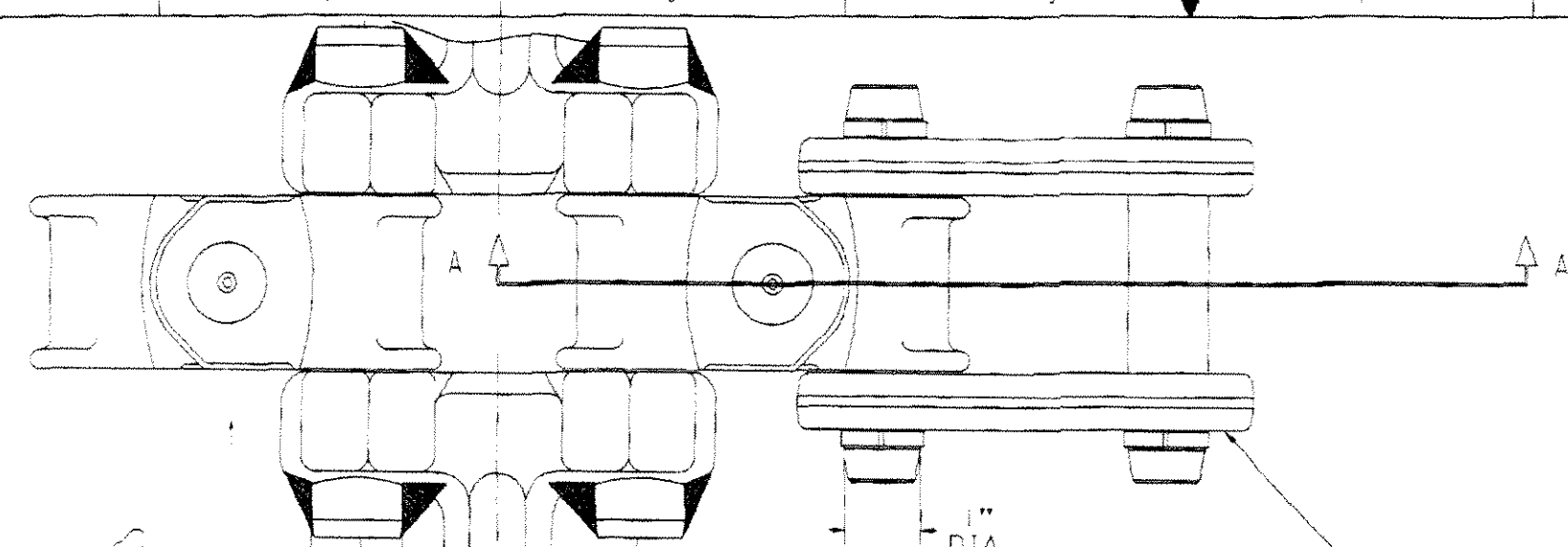
LITHOPRINT	YES	NO	MATERIAL	CARBURIZED	HARDNESS
DRAWER	DATE		CLASS	SIMILAR TO	
CHECKER	DATE		JOY MANUFACTURING COMPANY FRANKLIN, PENNA. 16325		
ENGINEER	DATE		3 1/4 PITCH UNIVERSAL CONVEYOR CHAIN - PACKAGE 8 ASSEMBLY INSTRUCTIONS 36 3/8" WIDE		
APPROVAL	DATE		DIV	FCOM NO.	
			D	75003	00509192 0000
CAD / CAM DRAWING MANUAL REVISIONS NOT AUTHORIZED			SCALE	FULL	WGT
					SHEET 1

B/M NUMBER	DESCRIPTION	REFERENCE	DATE
00509192 0056	CONV.CH.3-1/4P. BO	00509192 0000 01	
		FCQ0195	02/18/88
		FCQ0249	03/09/89
		FCQ0441	00/00/00

QTY	G/P	PART NUMBER	DESCRIPTION	REF NO
13		01451897 0000	PLATE, SIDE	
1		01451897 0001	PLATE, SIDE	
28		01452036 0001	FLT.PIN	BN
28		01452040 0000	FLIGHT	
28		01452051 0001	RING, RETAINING	
14		05012234 0000	LINK, CONNECTOR	
28		05012265 0001	LINK, SWIVEL	

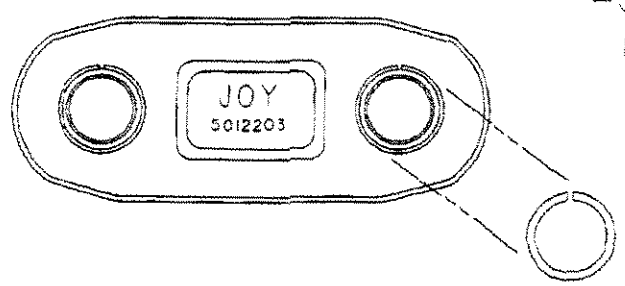
***** END OF B/M PRINT *****

00509192 0000		REVISIONS	
ZONE	REV	DATE	APPROVED
A	FC00195		
B	FC03249	9 MAR 89	
C	FC00596		



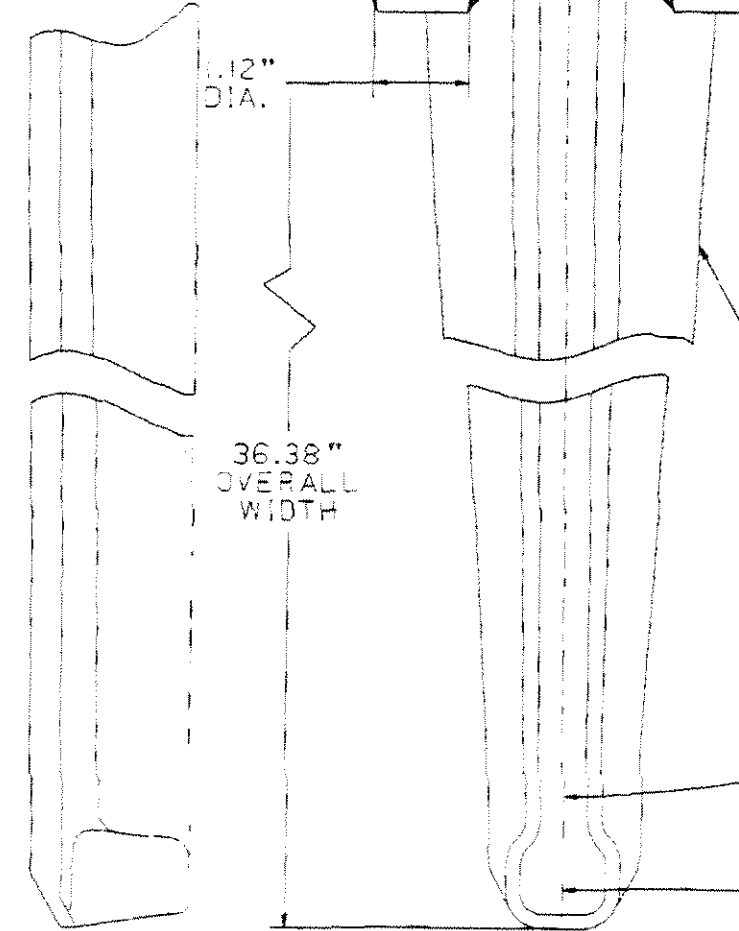
NOTE:
ONE FLIGHT SECTION IS
INVERTED IN EACH CHAIN
PACKAGE FOR RETURN
DECK CLEANING PURPOSES.

05012235 CONNECTING LINK
INCLUDES TWO 0.452051 0001 RETAINING RINGS

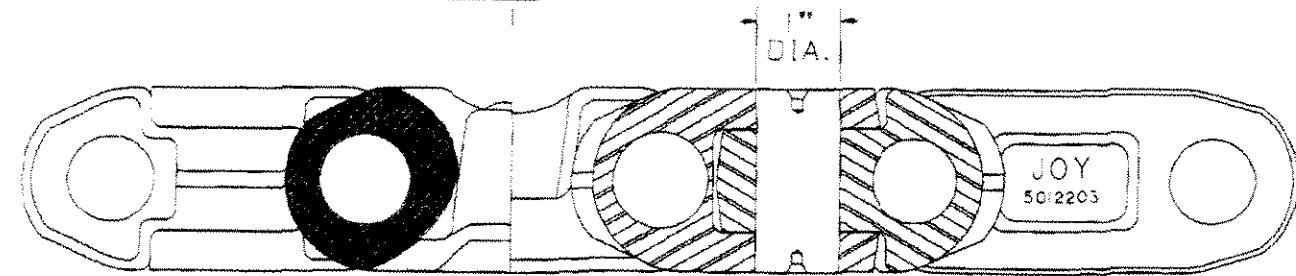
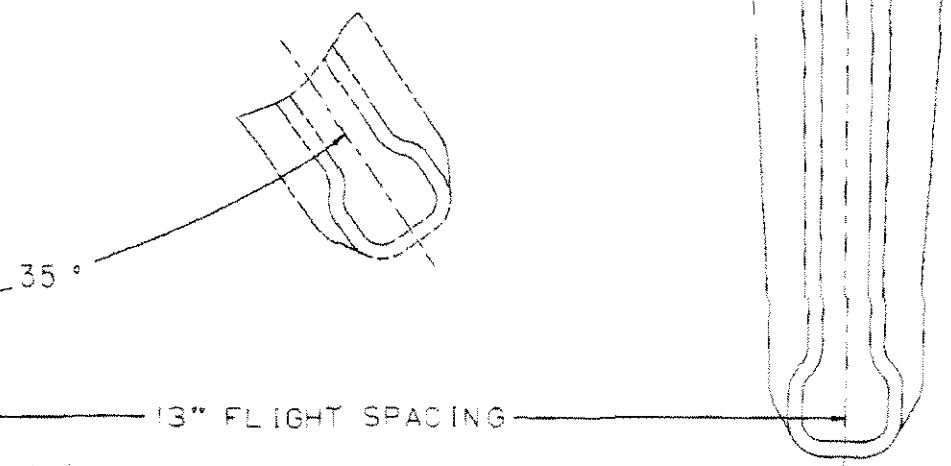


- CHAIN CAN BE SHORTENED 6.5 INCHES MINIMUM BY :
1. REMOVING ONE FLIGHT SECTION (3 PITCHES).
 2. ADDING ONE 1451898-0000 ROLLER LINK (1 PITCH).

05012212 0002 FLIGHT SECTION
INCLUDES 2 FLIGHTS,
2 UNIVERSALS,
AND 2 FLIGHT PINS



PACKAGE NUMBER	NUMBER OF FLIGHT SECTIONS	LENGTH
00509192 0048	12	13'
00509192 0052	13	14' 1"
00509192 0056	14	15' 2"
00509192 0060	15	16' 3"



SECTION A-A

THIS DRAWING AND ALL INFORMATION THEREIN IS THE PROPERTY OF AND CONFIDENTIAL TO THE JOY MANUFACTURING COMPANY. IT MUST NOT BE MADE PUBLIC OR COPIED. IT IS LOANED SUBJECT TO RETURN UPON DEMAND. IT IS NOT TO BE USED DIRECTLY OR INDIRECTLY IN ANY WAY DETRIMENTAL TO THE INTERESTS OF THE JOY MANUFACTURING COMPANY.

LITHOPRINT	YES	NO	MATERIAL	
			CARBURIZE	
DRAYER	DATE		CLASS	SIMILAR TO
CHECKER	DATE			
ENGINEER	DATE		JOY MANUFACTURING COMPANY FRANKLIN PENNA. 6325	
APPROVAL	DATE		3 1/4 PITCH UNIVERSAL CONVEYOR CHAIN - PACKAGE B ASSEMBLY INSTRUCTIONS 36 3/8" WIDE	
			SIZE / PSCW NO.	075003 00509192 0000
			CAD / CAM DRAWING	SCALE: FULL WGT
			MANUAL REVISIONS	SHEET 1
			NOT AUTHORIZED	