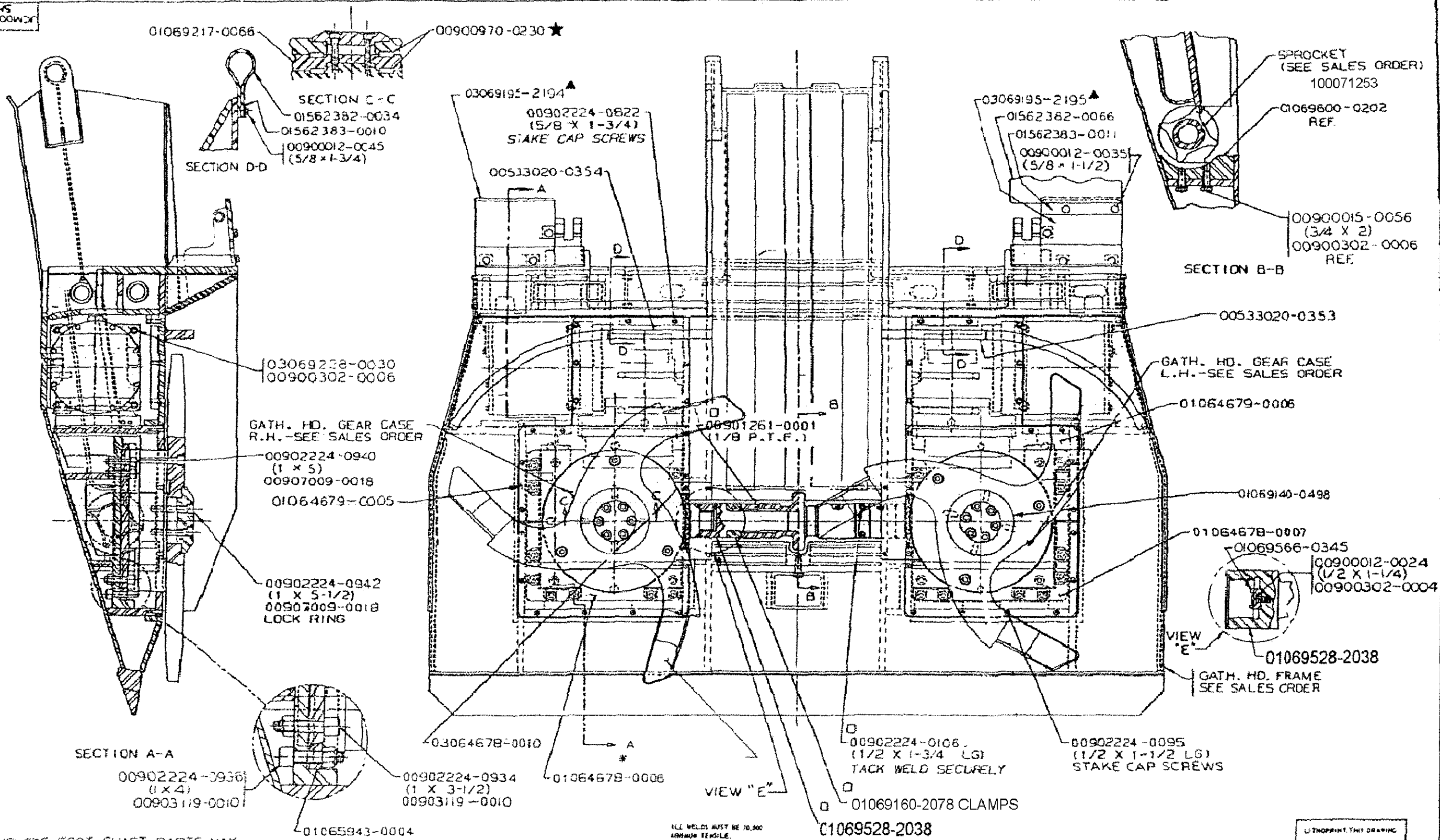


Z JOI HS  
9010-2580WDR



□ COMPLETE FOOT SHAFT PARTS MAY BE ORDERED AS PART NO. 00703500-7297

▲ LOCATE AND WELD BOSSES

\* C.L.A.S MUST BE TIMED AS SHOWN.

★ LOCATE ONLY 2 KEYS PER SURFACE, 180° APART.

BM 00703465-0105

ALL WELDS MUST BE 70,000 MINIMUM TENSILE.

The bearing and information given is the property of the JOY MANUFACTURING CO. and should not be used in any other machine or work without the written consent of JOY MANUFACTURING CO. in any form or by any means.

JOY MANUFACTURING CO.  
PLANT LOCATION AS INDICATED BELOW

|             |      |             |      |
|-------------|------|-------------|------|
| APPROVED BY | DATE | APPROVED BY | DATE |
| DESIGNED BY | DATE | DESIGNED BY | DATE |
| CHECKED BY  | DATE | CHECKED BY  | DATE |
| ENGINEER    | DATE | ENGINEER    | DATE |
| MANAGER     | DATE | MANAGER     | DATE |

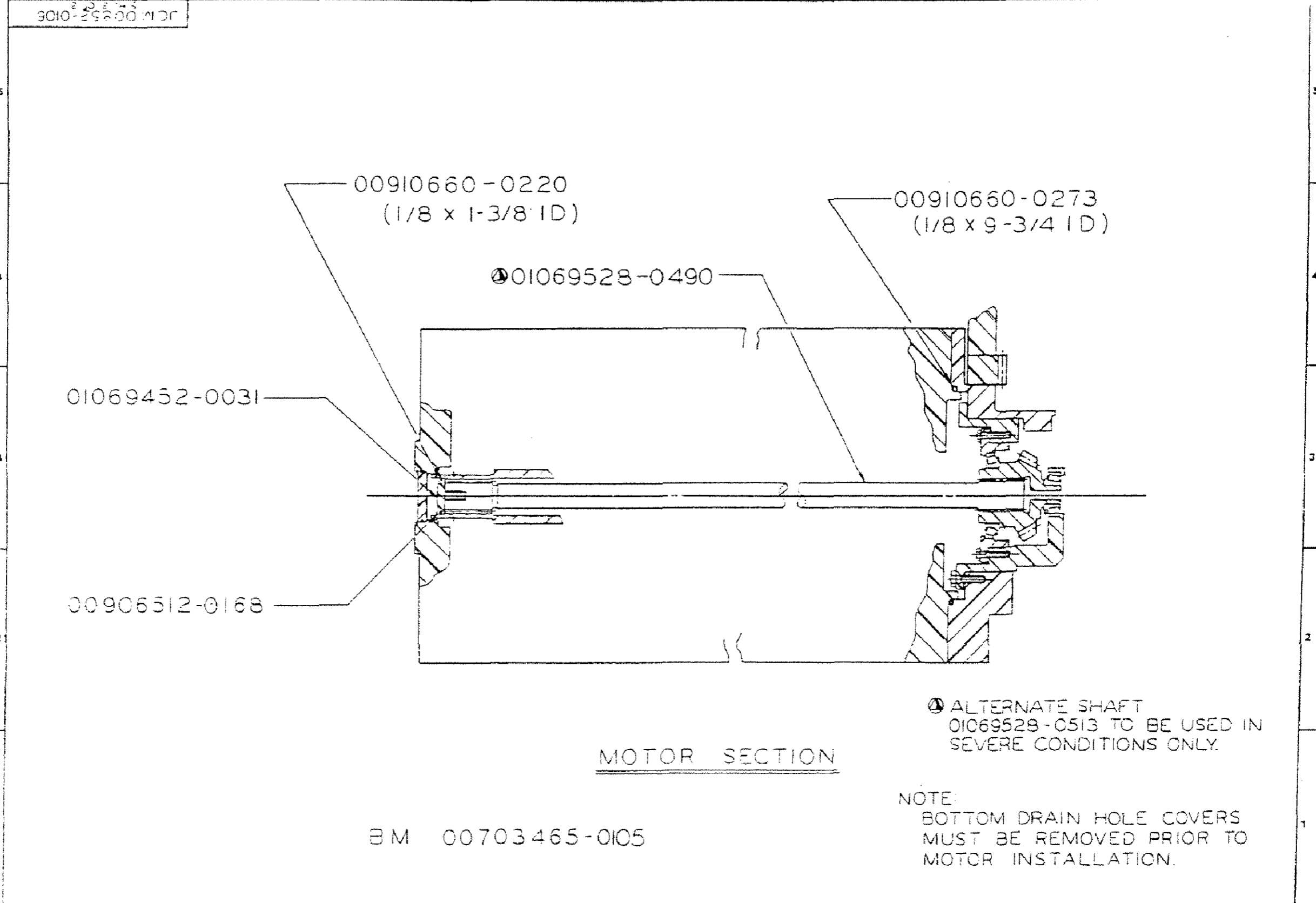
ASSEMBLY, GATH. HEAD

UTROPRINT THIS DRAWING

FDC3989 FDC6277

FDC7131 FDC7719 FDC7752 FDE1008

JCM00852-0106

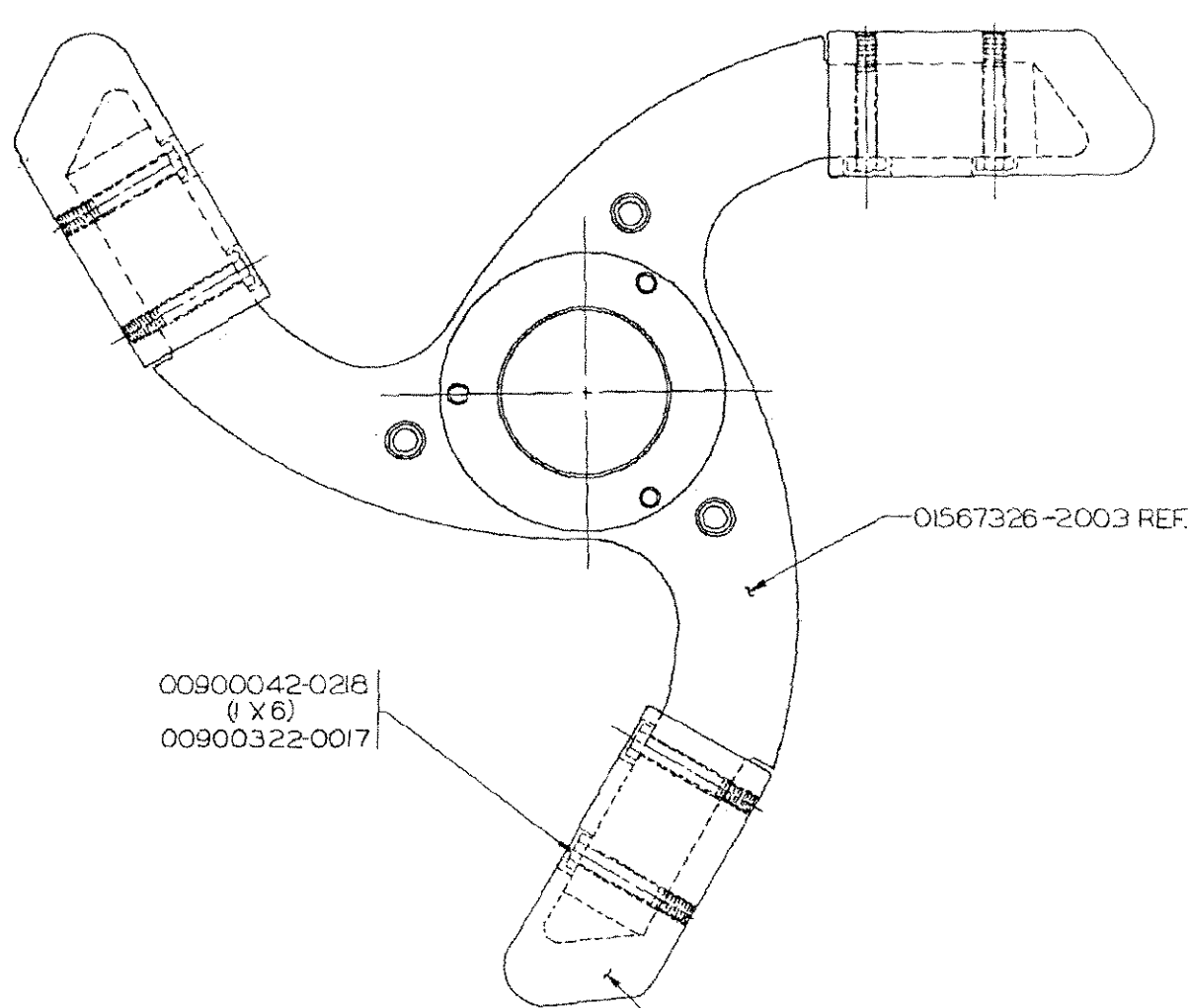


Ⓢ ALTERNATE SHAFT  
01069528-0513 TO BE USED IN  
SEVERE CONDITIONS ONLY.

NOTE:  
BOTTOM DRAIN HOLE COVERS  
MUST BE REMOVED PRIOR TO  
MOTOR INSTALLATION.

|                             |  |                                 |  |   |  |  |  |  |  |
|-----------------------------|--|---------------------------------|--|---|--|--|--|--|--|
| ENG ORDER<br>FOC 1089       |  | REVISIONS<br>FOC 74231 FOC 7745 |  | FINISH SYMBOLS  |  | JOY TECHNOLOGIES INC.<br>PHILADELPHIA, PENNSYLVANIA 19103  |  | ASSEMBLY, GATH. HEAD   |  |
| MATERIAL:                   |  | PATTERN NO.                     |  | LITHOPRINT<br>YES <input checked="" type="checkbox"/> NO <input type="checkbox"/> |  | THIS DRAWING AND ALL INFORMATION THEREON IS THE PROPERTY OF<br>JOY TECHNOLOGIES INC. IT IS LOANED SUBJECT TO RETURN UPON DEMAND<br>AND IS NOT TO BE USED DIRECTLY OR INDIRECTLY IN ANY WAY DETRIMENTAL<br>TO OUR INTEREST. |  | DR. J. P. BARNARD<br>DATE: 1-2-81<br>CLASS: 12-412<br>SCALE: |  |
| JCM00852-0106<br>SM. 2 OF 2 |  |                                 |  |   |  |  |  |  |  |

6000-197920KS

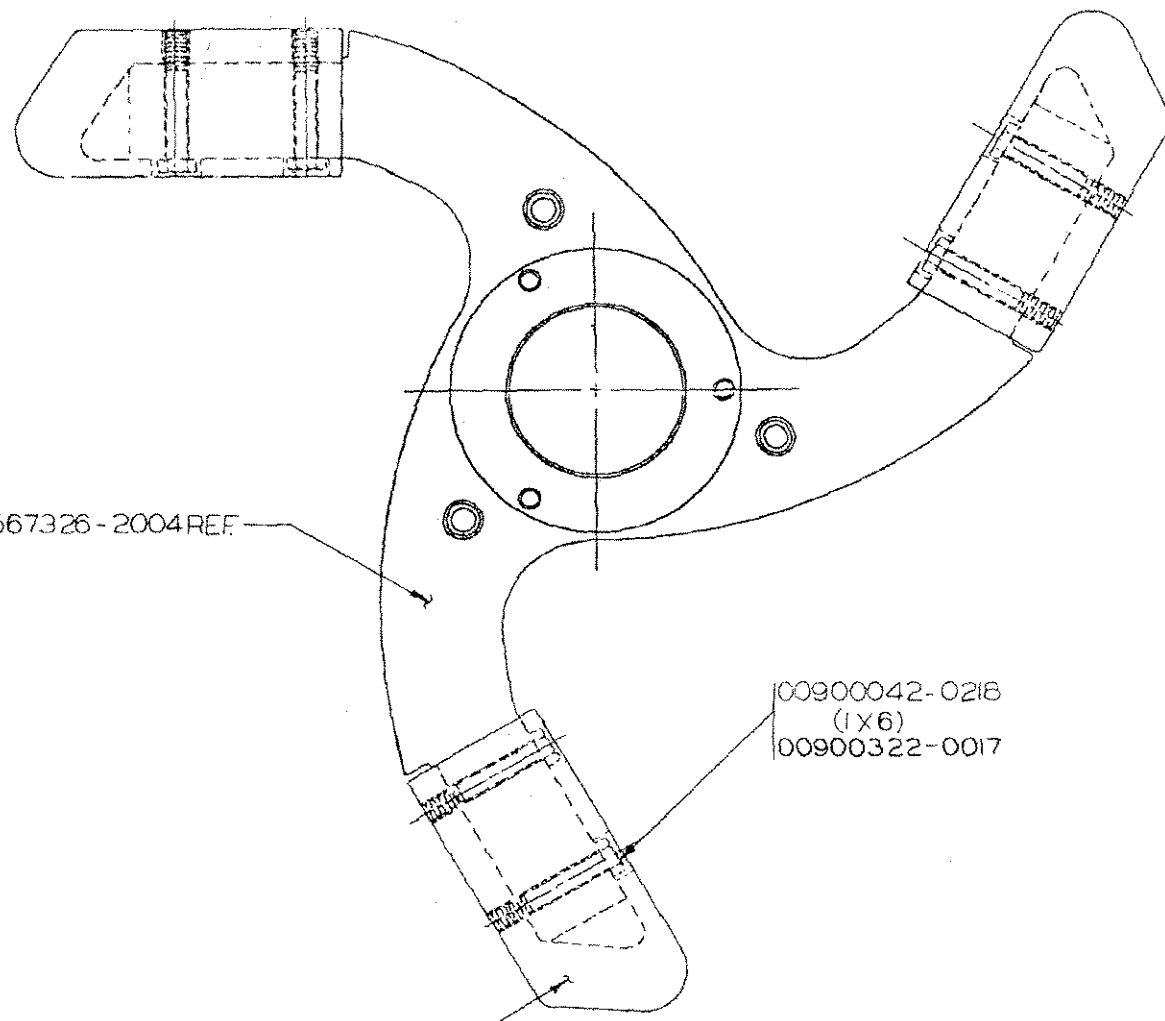


00900042-0218  
(1 X 6)  
00900322-0017

01567326-2003 REF.

KENNAMETAL  
1967832 CLA 3-13RA  
(TYP FOR R.H. ONLY)  
(3 PLS.)

R.H. ARM



01567326-2004 REF.

00900042-0218  
(1 X 6)  
00900322-0017

KENNAMETAL  
1968133 CLA 3-13LA  
(TYP FOR L.H. ONLY)  
(3 PLS.)

L.H. ARM

1 CAP SCREW 1000LB. FT TORQUE

BM 00720366-0011

| ENG ORDER<br>FDE4324  |                  | REVISIONS         |                | FINISH SYMBOLS   |  | JOY TECHNOLOGIES INC.<br>FRANKLIN, PENNSYLVANIA 16320     |             | MODIFICATION, C.L.A. FOR<br>57CLA 3" THK |             |   |                  |   |                |   |             |   |               |   |               |   |             |   |                |   |                |   |                |  |  |  |  |   |  |               |  |
|---|------------------|-------------------|----------------|--|--|---|-------------|--|-------------|---|------------------|---|----------------|---|-------------|---|---------------|---|---------------|---|-------------|---|----------------|---|----------------|---|----------------|--|--|--|--|---|--|---------------|--|
| UNLESS OTHERWISE NOTED, ALL DIMENSIONS IN INCHES. MACHINING DIMENSIONS LIMITED TO FRACTIONAL ±.004. ANGULAR ±.1°. STRUCTURAL DIMENSIONS LIMITED TO ±.1/16. DO NOT SCALE THIS DRAWING. |                  |                   |                | <table border="1"> <tr> <th>INCHES</th> <th>DESCRIPTION</th> <th>INCHES</th> <th>DESCRIPTION</th> </tr> <tr> <td>A</td> <td>PRECISION POLISH</td> <td>F</td> <td>COMMON MACHINE</td> </tr> <tr> <td>B</td> <td>FINE POLISH</td> <td>G</td> <td>ROUGH MACHINE</td> </tr> <tr> <td>C</td> <td>COMMON POLISH</td> <td>H</td> <td>HEAVY ROUGH</td> </tr> <tr> <td>D</td> <td>GRIND OR EQUAL</td> <td>K</td> <td>EX HEAVY ROUGH</td> </tr> <tr> <td>E</td> <td>SMOOTH MACHINE</td> <td></td> <td></td> </tr> </table> |  | INCHES  | DESCRIPTION | INCHES                                   | DESCRIPTION | A | PRECISION POLISH | F | COMMON MACHINE | B | FINE POLISH | G | ROUGH MACHINE | C | COMMON POLISH | H | HEAVY ROUGH | D | GRIND OR EQUAL | K | EX HEAVY ROUGH | E | SMOOTH MACHINE |  |  | THIS DRAWING AND ALL INFORMATION THEREIN IS THE PROPERTY OF AND CONFIDENTIAL TO JOY TECHNOLOGIES INC. IT MUST NOT BE MADE PUBLIC OR COPIED. IT IS LOANED SUBJECT TO RETURN UPON DEMAND. IS NOT TO BE USED DIRECTLY OR INDIRECTLY IN ANY WAY DETRIMENTAL TO OUR INTEREST. |  | DR. J. HAUGHEY<br>DATE: 5-24-94<br>CLASS: 1207<br>SCALE: 2x |  | SK025461-0009 |  |
| INCHES  | DESCRIPTION      | INCHES            | DESCRIPTION    |  |  |   |             |  |             |   |                  |   |                |   |             |   |               |   |               |   |             |   |                |   |                |   |                |  |  |  |  |   |  |               |  |
| A   | PRECISION POLISH | F                 | COMMON MACHINE |  |  |   |             |  |             |   |                  |   |                |   |             |   |               |   |               |   |             |   |                |   |                |   |                |  |  |  |  |   |  |               |  |
| B   | FINE POLISH      | G                 | ROUGH MACHINE  |  |  |   |             |  |             |   |                  |   |                |   |             |   |               |   |               |   |             |   |                |   |                |   |                |  |  |  |  |   |  |               |  |
| C   | COMMON POLISH    | H                 | HEAVY ROUGH    |  |  |   |             |  |             |   |                  |   |                |   |             |   |               |   |               |   |             |   |                |   |                |   |                |  |  |  |  |   |  |               |  |
| D   | GRIND OR EQUAL   | K                 | EX HEAVY ROUGH |  |  |   |             |  |             |   |                  |   |                |   |             |   |               |   |               |   |             |   |                |   |                |   |                |  |  |  |  |   |  |               |  |
| E   | SMOOTH MACHINE   |                   |                |  |  |   |             |  |             |   |                  |   |                |   |             |   |               |   |               |   |             |   |                |   |                |   |                |  |  |  |  |   |  |               |  |
| MATERIAL: _____<br>HEAT TREAT: _____<br>HARDNESS: _____<br>CARBURIZE (ECC): _____   |                  | PATTERN NO: _____ |                | LITHOPRINT<br>YES <input checked="" type="checkbox"/> NO <input type="checkbox"/>  |  | SIMILAR TO: 0005<br>REPLACES: _____<br>REPLACED BY: _____ |             | SK025461-0009                            |             |   |                  |   |                |   |             |   |               |   |               |   |             |   |                |   |                |   |                |  |  |  |  |   |  |               |  |

EIERD006

BILL OF MATERIAL

DATE 04/26/95

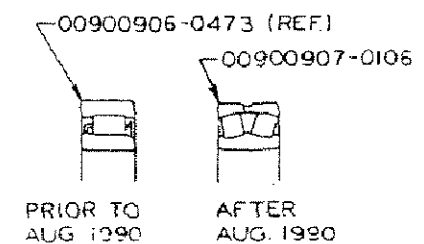
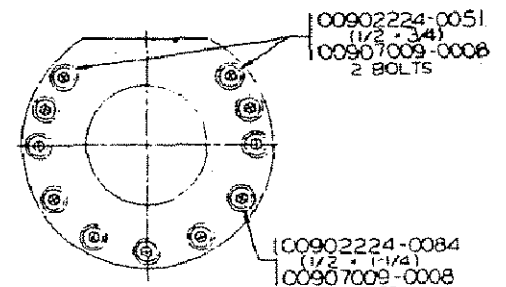
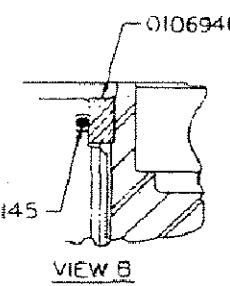
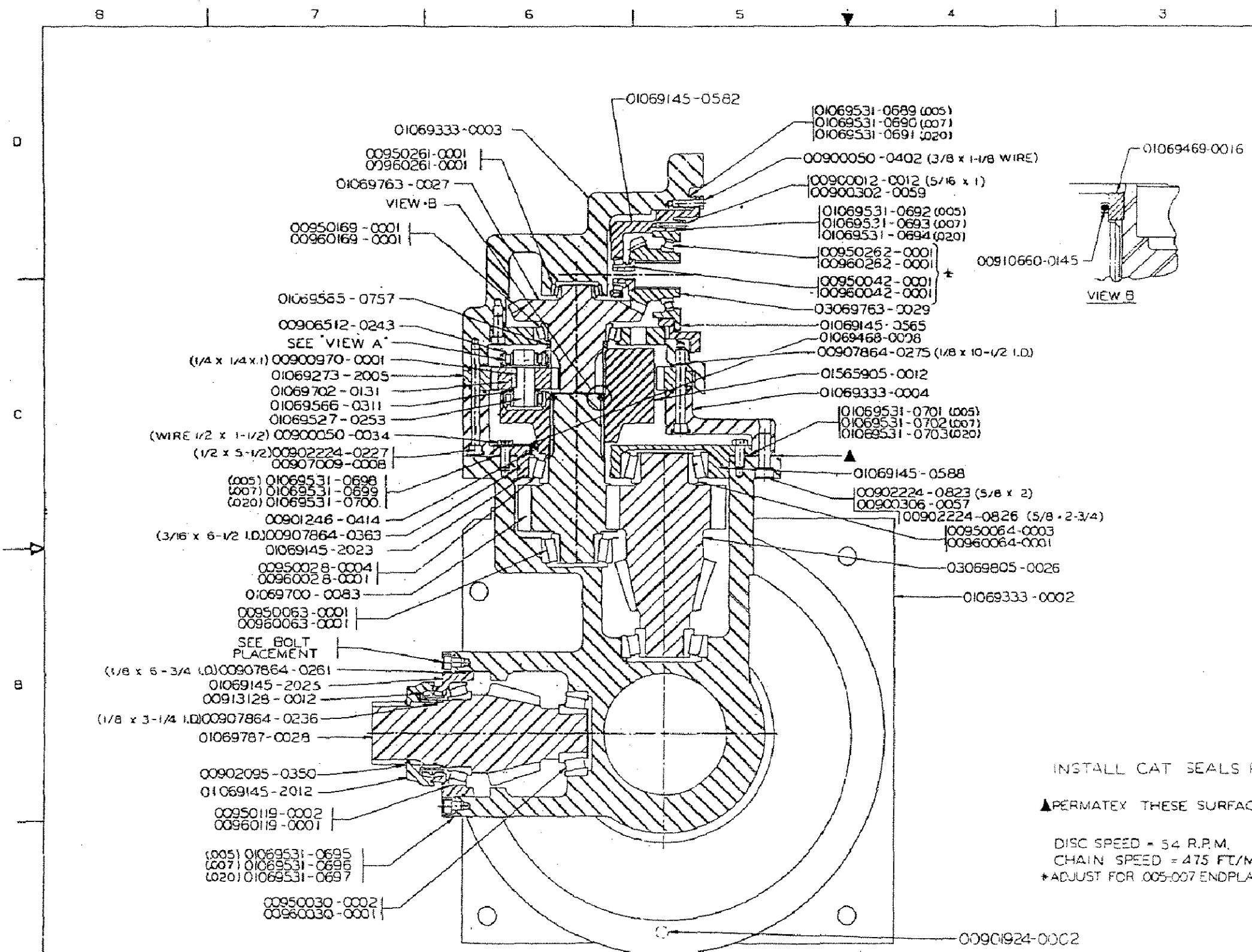
PAGE 001

| B/M NUMBER | DESCRIPTION                   | INCHES | REFERENCE     | DATE     |
|------------|-------------------------------|--------|---------------|----------|
| 00703465   | 0105 CLEANUP, HEAD, GATHERING |        | JCM00852 0106 | 01       |
|            |                               |        | JCM00852 0106 | 02       |
|            |                               |        | FDC4069       | 04/03/91 |
|            |                               |        | FDC7131       | 10/23/91 |
|            |                               |        | FDC7752       | 02/22/92 |
|            |                               |        | FDE3989       | 04/28/94 |
|            |                               |        | FDE6277       | 02/28/95 |

| QTY | PART NUMBER | DESCRIPTION                                 | REF NO |
|-----|-------------|---|--------|
| 1   | 00533020    | 0353 COVER                                  |        |
| 1   | 00533020    | 0354 COVER                                  |        |
| 2   | 00900012    | 0024 SCREW, CAP, GR. 5, 1/2-13 X 1-1/4      |        |
| 2   | 00900012    | 0035 SCREW, CAP, GR. 5, 5/8-11 X 1-1/2      |        |
| 8   | 00900012    | 0045 SCREW, CAP, GR. 5, 5/8-11 X 1-3/4      |        |
| 2   | 00900302    | 0004 WASHER, LOCK, 1/2                      |        |
| 2   | 00900531    | 0145 SCREW, SET, 1-8 X 1                    |        |
| 8   | 00900970    | 0230 KEY, 3/4 X 3/4 X 2-3/8                 |        |
| 4   | 00901261    | 0001 FITTING, GREASE, SHORT, EXTRA, 1/8 PTF |        |
| 30  | 00902224    | 0095 SCREW, CAP, 1/2-13 X 1-1/2             |        |
| 4   | 00902224    | 0106 SCREW, CAP, 1/2-13 X 1-3/4             |        |
| 14  | 00902224    | 0822 SCREW, CAP, 5/8-11 X 1-3/4             |        |
| 8   | 00902224    | 0934 SCREW, CAP, 1-8 X 3-1/2                |        |
| 16  | 00902224    | 0936 SCREW, CAP, 1-8 X 4                    |        |
| 6   | 00902224    | 0940 SCREW, CAP, 1-8 X 5                    |        |
| 12  | 00902224    | 0942 SCREW, CAP, 1-8 X 5-1/2                |        |
| 24  | 00903119    | 0010 NUT, LOCK, GR. C, 1-8                  |        |
| 2   | 00906512    | 0168 RING, RETAINING                        |        |
| 18  | 00907009    | 0018 WIRE, LOCKING, 1-1/2                   |        |
| 2   | 00910660    | 0220 O-RING                                 |        |
| 2   | 00910660    | 0273 O-RING                                 |        |
| 1   | 01064678    | 0006 COVER                                  |        |
| 1   | 01064678    | 0007 COVER                                  |        |
| 1   | 01064679    | 0005 COVER                                  |        |
| 1   | 01064679    | 0006 COVER                                  |        |
| 8   | 01065943    | 0004 WEDGE                                  |        |
| 2   | 01069140    | 0498 CAP, BOLTED                            |        |
| 2   | 01069217    | 0066 DISC, HEAD, GATHERING                  |        |
| 2   | 01069452    | 0031 PLUG, SPECIAL                          |        |
| 2   | 01069528    | 0490 SHAFT, SPLINED                         |        |
| 2   | 01069566    | 0345 SPACER, SPECIAL                        |        |
| 2   | 01562382    | 0034 BELTING                                |        |
| 1   | 01562382    | 0066 BELTING                                |        |
| 2   | 01562383    | 0010 STRAP                                  |        |
| 1   | 01562383    | 0011 STRAP                                  |        |
| 4   | 01564315    | 0009 SHAFT, SPLINED                         |        |
| 2   | 01069528    | 0038 SHAFT, SPLINED                         |        |
| 1   | 01567326    | 2003 ARM (C.L.A.) (R.H.)                    |        |
| 1   | 01567326    | 2004 ARM (C.L.A.) (L.H.)                    |        |
| 2   | 03064678    | 0010 COVER, GATH. HD. POT                   |        |
| 1   | 03069195    | 2194 COVER                                  |        |
| 1   | 03069195    | 2195 COVER                                  |        |
| 8   | 03069228    | 0030 EXTENSION                              |        |

\*\*\*\*\* END OF BM PRINT \*\*\*\*\*

| 00572019-0045 |     | REVISIONS   |       |          |
|---------------|-----|-------------|-------|----------|
| ZONE          | REV | DESCRIPTION | DATE  | APPROVED |
| A             |     | FDA 0523    | 6-88  |          |
| B             |     | FDA 0585    | 8-88  |          |
| C             |     | FDA 0698    | 9-88  | 1.1      |
| D             |     | FDC 0463    | 12-88 |          |
| E             |     | FDC 0908    | 3-89  |          |
| F             |     | FDC 3065    | 5-90  |          |
| G             |     | FDC 4897    | 12-90 |          |
| H             |     | FDC 5481    | 2-91  |          |
| I             |     | FDC 8738    | 7-92  |          |
| J             |     | FDE 0491    | 2-93  |          |
| K             |     | FDE 2385    | 10-93 |          |
| L             |     | FDE 3488    | 1-94  |          |
| M             |     | FDE 6242    | 1-95  |          |



INSTALL CAT SEALS PER SK021855-0000

▲PERMATEX THESE SURFACES

DISC SPEED = 54 R.P.M.  
CHAIN SPEED = 475 FT/MIN.  
\*ADJUST FOR .005-.007 ENDPLAY.

| ASS'Y. NO.    | TYPE     | DISC P/N      | THROW | REL. EQ. | REVISION | REVISION | REVISION | REVISION | REVISION | REVISION |
|---------------|----------|---------------|-------|----------|----------|----------|----------|----------|----------|----------|
| 00572019-0045 | CLA      | 01069217-0068 |       | FDA0523  | FDE3488  | FDE6242  |          |          |          |          |
| 00572019-0053 | GATH.ARM | 01069217-0067 | 10"   | FDA0898  | FDE3488  | FDE6242  |          |          |          |          |

|                 |              |                        |  |
|-----------------|--------------|------------------------|--|
| MATERIAL        |              | PATTERN NO.            |  |
| HEAT TREAT      |              | SIMILAR TO             |  |
| CARBURIZE (CCD) |              |                        |  |
| HARDNESS        |              |                        |  |
| YES LITHOPRINT  | CLASS MINERS | JOY TECHNOLOGIES INC.  |  |
| JOHNSON         | DATE 6 88    | FRANKLIN, PENNA. 15323 |  |
| DRCKER          | DATE         |                        |  |
| UNDESIGN        | DATE         |                        |  |
| APPROVAL        | DATE         |                        |  |
| SIZE / SCW NO.  |              | D 75003 00572019-0045  |  |
| SCALE           |              | WGT.                   |  |
|                 |              | SHEET 1 OF 3           |  |

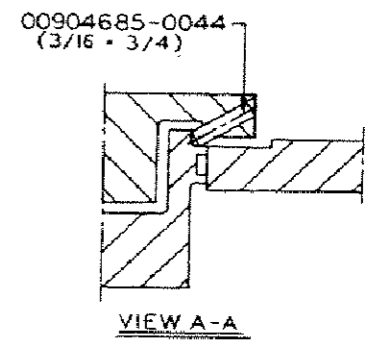
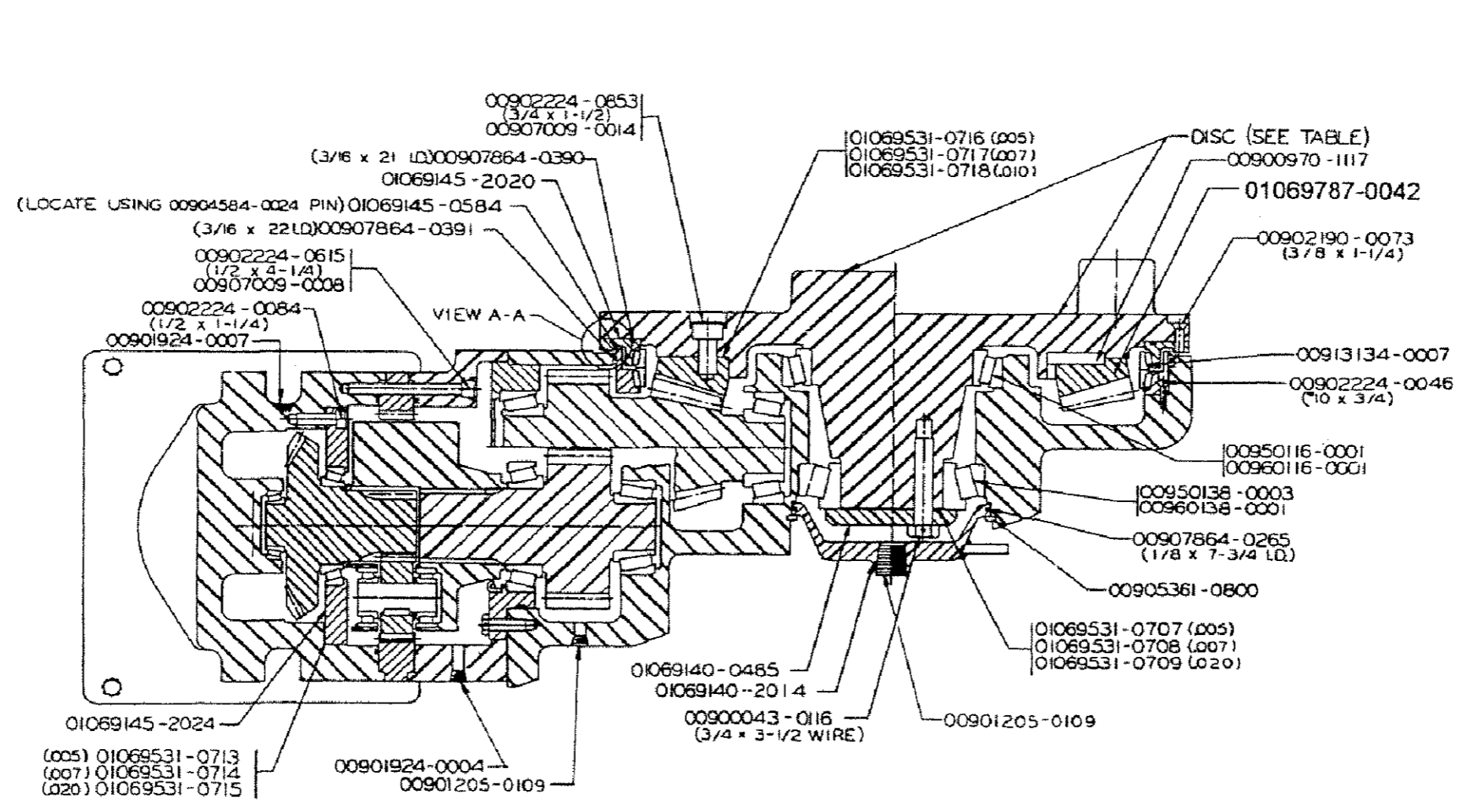
UNLESS OTHERWISE NOTED: ALL DIMENS. IN INCHES; MACHINING DIMENSIONS LIMITED TO FRACTIONAL INCHES; ANGLES 1/2°; STRUCTURAL DIMENSIONS LIMITED TO 1/16". DO NOT SCALE THIS DRAWING.

THIS DRAWING AND ALL INFORMATION THEREIN IS THE PROPERTY OF AND CONFIDENTIAL TO JOY TECHNOLOGIES, INC. IT MUST NOT BE MADE PUBLIC OR COPIED, REPRODUCED, OR TRANSMITTED IN ANY MANNER WITHOUT THE WRITTEN PERMISSION OF JOY TECHNOLOGIES, INC. IT IS NOT TO BE USED DIRECTLY OR INDIRECTLY IN ANY WAY DETRIMENTAL TO THE INTERESTS OF JOY TECHNOLOGIES, INC.

| B/M NUMBER | DESCRIPTION                      | INCHES | REFERENCE     | DATE     |
|------------|----------------------------------|--------|---------------|----------|
| 00572019   | 0045 CASE, GEAR, HEAD, GATHERING |        | SK021855 0000 | 01       |
|            |                                  |        | 00572019 0045 | 01       |
|            |                                  |        | 00572019 0045 | 02       |
|            |                                  |        | FDA0140       | 01/50/70 |
|            |                                  |        | FDA0523       | 01/51/70 |
|            |                                  |        | FDA0585       | 01/52/70 |
|            |                                  |        | FDA0694       | 01/53/70 |
|            |                                  |        | FDC0463       | 01/54/70 |
|            |                                  |        | FDC0908       | 01/55/70 |
|            |                                  |        | FDC1514       | 01/56/70 |
|            |                                  |        | FDC3065       | 01/57/70 |
|            |                                  |        | FDC4897       | 01/58/70 |
|            |                                  |        | FDC5481       | 01/59/70 |
|            |                                  |        | FDC8738       | 07/30/92 |
|            |                                  |        | FDE0491       | 02/25/93 |
|            |                                  |        | FDE2385       | 10/15/93 |
|            |                                  |        | FDE3488       | 01/27/94 |
|            |                                  |        | FDE6242       | 01/11/95 |
|            |                                  |        | FDE6254       | 01/26/95 |
|            |                                  |        | FDE7211       | 03/30/95 |
|            |                                  |        | FDE7768       | 06/05/95 |
|            |                                  |        | FDE9881       | 05/06/96 |
|            |                                  |        | DFD0454       | 00/00/00 |

| QTY | G/P | PART NUMBER   | DESCRIPTION                       | REF NO | QTY | G/P | PART NUMBER   | DESCRIPTION                    | REF NO |
|-----|-----|---------------|-----------------------------------|--------|-----|-----|---------------|--------------------------------|--------|
| 6   | *   | 00809023 0000 | WIRE, 16 GA. (.0625)              |        | 1   |     | 00960119 0001 | BEARING, CUP, TAPERED          |        |
| 6   |     | 00900012 0012 | SCREW, CAP, GR. 5, 5/16-18 X 1    |        | 1   |     | 00960138 0001 | BEARING, CUP, TAPERED          |        |
| 4   |     | 00900043 0116 | SCREW, CAP, GR. 8, 3/4-10 X 3-1/2 |        | 1   |     | 00960169 0001 | BEARING, CUP, TAPERED          |        |
| 12  |     | 00900050 0034 | SCREW, CAP, GR. 5, 1/2-13 X 1-1/2 |        | 1   |     | 00960261 0001 | BEARING, CUP, TAPERED          |        |
| 6   |     | 00900050 0402 | SCREW, CAP, GR. 5, 3/8-16 X 1-1/8 |        | 1   |     | 00960262 0001 | BEARING, CUP, TAPERED          |        |
| 6   |     | 00900302 0059 | WASHER, LOCK, 5/16                |        | 1   |     | 01069140 0485 | CAP, BOLTED                    |        |
| 17  |     | 00900306 0057 | WASHER, LOCK, 5/8                 |        | 1   | *   | 01069140 2014 | CAP, BOLTED                    |        |
| 6   |     | 00900907 0106 | BEARING, ROLLER                   |        | 1   |     | 01069145 0565 | CARRIER, BEARING               |        |
| 3   |     | 00900970 0001 | KEY, 1/4 X 1/4 X 1                |        | 1   |     | 01069145 0582 | CARRIER, BEARING               |        |
| 2   |     | 00900970 1117 | KEY, 1 X 1/2 X 2-3/8              |        | 1   |     | 01069145 0584 | CARRIER, BEARING               |        |
| 2   |     | 00901205 0109 | PLUG, SQ. HD., MAG., 3/4 NPTF     |        | 1   |     | 01069145 0588 | CARRIER, BEARING               |        |
| 1   |     | 00901246 0414 | SEAL, LIP                         |        | 1   | *   | 01069145 2012 | CARRIER                        |        |
| 1   |     | 00901924 0002 | PLUG, HEX, SOC., 1/8 NPTF         |        | 1   | *   | 01069145 2020 | CARRIER, BEARING               |        |
| 1   |     | 00901924 0004 | PLUG, HEX SOC., 3/8 NPTF          |        | 1   |     | 01069145 2023 | CARRIER, BEARING               |        |
| 3   |     | 00901924 0007 | PLUG, HEX SOC., 1 NPTF            |        | 1   |     | 01069145 2024 | CARRIER, BEARING               |        |
| 1   |     | 00902095 0350 | RING, RETAINING                   |        | 1   | *   | 01069145 2025 | CARRIER, BEARING               |        |
| 8   |     | 00902190 0073 | SCREW, CAP, GR. 8, 3/8-16 X 1-1/4 |        | 1   |     | 01069217 0068 | DISC, HEAD, GATHERING          |        |
| 3   |     | 00902224 0046 | SCREW, CAP, 10-24 X 3/4           |        | 1   |     | 01069273 2005 | GEAR, INTERNAL                 |        |
| 2   |     | 00902224 0051 | SCREW, CAP, 1/2-13 X 3/4          |        | 1   |     | 01069333 0002 | HOUSING                        |        |
| 17  |     | 00902224 0084 | SCREW, CAP, 1/2-13 X 1-1/4        |        | 1   |     | 01069333 0003 | HOUSING                        |        |
| 9   |     | 00902224 0227 | SCREW, CAP, 1/2-13 X 5-1/2        |        | 1   |     | 01069333 0004 | HOUSING                        |        |
| 3   |     | 00902224 0615 | SCREW, CAP, 1/2-13 X 4-1/4        |        | 1   |     | 01069468 0008 | RETAINER                       |        |
| 14  |     | 00902224 0823 | SCREW, CAP, 5/8-11 X 2            |        | 1   |     | 01069469 0016 | RETAINING RING                 |        |
| 3   |     | 00902224 0826 | SCREW, CAP, 5/8-11 X 2-3/4        |        | 3   | *   | 01069527 0253 | SHAFT, SHOULDERED              |        |
| 8   |     | 00902224 0853 | SCREW, CAP, 3/4-10 X 1-1/2        |        | 3   |     | 01069531 0689 | SHIM, ROUND                    |        |
| 1   |     | 00904584 0024 | PIN, DOWEL, 1/4 X 7/8             |        | 3   |     | 01069531 0690 | SHIM, ROUND                    |        |
| 2   |     | 00904685 0044 | PIN, SPRING, .187 X .750          |        | 3   |     | 01069531 0691 | SHIM, ROUND                    |        |
| 1   |     | 00905361 0800 | RING, RETAINING                   |        | 3   |     | 01069531 0692 | SHIM, ROUND                    |        |
| 3   |     | 00906512 0243 | RING, RETAINING                   |        | 3   |     | 01069531 0693 | SHIM, ROUND                    |        |
| 23  |     | 00907009 0008 | WIRE, LOCKING, 11/16              |        | 3   | *   | 01069531 0694 | SHIM, ROUND                    |        |
| 8   |     | 00907009 0014 | WIRE, LOCKING, 1-1/16             |        | 3   | *   | 01069531 0695 | SHIM, ROUND                    |        |
| 1   |     | 00907864 0236 | O-RING                            |        | 3   | *   | 01069531 0696 | SHIM, ROUND                    |        |
| 1   |     | 00907864 0261 | O-RING                            |        | 3   | *   | 01069531 0697 | SHIM, ROUND                    |        |
| 1   |     | 00907864 0265 | O-RING                            |        | 3   |     | 01069531 0698 | SHIM, ROUND                    |        |
| 2   |     | 00907864 0275 | O-RING                            |        | 3   |     | 01069531 0699 | SHIM, ROUND                    |        |
| 1   |     | 00907864 0363 | O-RING                            |        | 3   |     | 01069531 0700 | SHIM, ROUND                    |        |
| 1   |     | 00907864 0390 | O-RING                            |        | 3   |     | 01069531 0701 | SHIM, ROUND                    |        |
| 1   |     | 00907864 0391 | O-RING                            |        | 3   |     | 01069531 0702 | SHIM, ROUND                    |        |
| 1   |     | 00910660 0145 | O-RING                            |        | 3   |     | 01069531 0703 | SHIM, ROUND                    |        |
| 1   |     | 00913128 0012 | SEAL, DUO-CONE, FLOATING          |        | 5   | *   | 01069531 0707 | SHIM, ROUND                    |        |
| 1   |     | 00913134 0007 | SEAL, DUO-CONE, FLOATING          |        | 3   | *   | 01069531 0708 | SHIM, ROUND                    |        |
| 1   |     | 00950028 0004 | BEARING, CONE, TAPERED            |        | 2   | *   | 01069531 0709 | SHIM, ROUND                    |        |
| 2   |     | 00950030 0002 | BEARING, CONE, TAPERED            |        | 3   |     | 01069531 0713 | SHIM, ROUND                    |        |
| 1   |     | 00950042 0001 | BEARING, CONE, TAPERED            |        | 3   |     | 01069531 0714 | SHIM, ROUND                    |        |
| 1   |     | 00950063 0001 | BEARING, CONE, TAPERED            |        | 3   |     | 01069531 0715 | SHIM, ROUND                    |        |
| 1   |     | 00950064 0003 | BEARING, CONE, TAPERED            |        | 3   |     | 01069531 0716 | SHIM, ROUND                    |        |
| 1   |     | 00950116 0001 | BEARING, CONE, TAPERED            |        | 3   |     | 01069531 0717 | SHIM, ROUND                    |        |
| 1   |     | 00950119 0002 | BEARING, CONE, TAPERED            |        | 3   |     | 01069531 0718 | SHIM, ROUND                    |        |
| 1   |     | 00950138 0003 | BEARING, CONE, TAPERED            |        | 1   |     | 01069565 0757 | SPACER, PLAIN                  |        |
| 1   |     | 00950169 0001 | BEARING, CONE, TAPERED            |        | 3   |     | 01069566 0311 | SPACER, SPECIAL                |        |
| 1   |     | 00950261 0001 | BEARING, CONE, TAPERED            |        | 1   |     | 01069700 0083 | GEAR, SPUR, 3DP                |        |
| 1   |     | 00950262 0001 | BEARING, CONE, TAPERED            |        | 3   |     | 01069702 0131 | GEAR, SPUR, 5DP                |        |
| 1   |     | 00960028 0001 | BEARING, CUP, TAPERED             |        | 1   |     | 01069763 0027 | GEAR, BEVEL, STRAIGHT, 4DP     |        |
| 2   |     | 00960030 0001 | BEARING, CUP, TAPERED             |        | 1   |     | 01069787 0028 | GEAR, BEVEL, STRAIGHT, SPECIAL |        |
| 1   |     | 00960042 0001 | BEARING, CUP, TAPERED             |        | 1   |     | 01069787 0042 | GEAR, BEVEL, STR., SPECIAL     |        |
| 1   |     | 00960063 0001 | BEARING, CUP, TAPERED             |        | 1   |     | 01565905 0012 | CAGE, PLANETARY                |        |
| 1   |     | 00960064 0001 | BEARING, CUP, TAPERED             |        | 1   |     | 03069763 0029 | GEAR                           |        |
| 1   |     | 00960116 0001 | BEARING, CUP, TAPERED             |        | 1   |     | 03069805 0026 | GEAR                           |        |

| 00572019-0045 |     | REVISIONS   |       |
|---------------|-----|-------------|-------|
| ZONE          | REV | DESCRIPTION | DATE  |
| A             |     | FDA 0523    | 6-88  |
| B             |     | FDA 0585    | 8-88  |
| C             |     | FDA 0898    | 9-88  |
| D             |     | FDC 0463    | 12-88 |
| E             |     | FDC 1514    | 7-89  |
| F             |     | FDC 4897    | 11-90 |
| G             |     | FDE 0491    | 2-93  |
| H             |     | FDE 7211    | 3-95  |
| I             |     | FDE 7768    | 5-95  |
| J             |     | FDE 9881    | 3-96  |



| ASS'Y NO.     | TYPE      | DISC P/N      | THROW | REL. E.O. | REVISION | REVISION | REVISION | REVISION | REVISION | REVISION | REVISION | REVISION |         |
|---------------|-----------|---------------|-------|-----------|----------|----------|----------|----------|----------|----------|----------|----------|---------|
| 00572019-0045 | CLA       | 01069217-0068 |       | FDA0523   | FDA0585  | FDA0898  | FDC0463  | FDC1514  | FDC4897  | FDE0491  | FDE7211  | FDE7768  | FDE9881 |
| 00572019-0053 | GATH. ARM | 01069217-0067 | 10"   | FDA0898   | FDC0463  | FDC1514  | FDC4897  | FDE0491  | FDE7211  | FDE7768  | FDE9881  |          |         |

UNLESS OTHERWISE NOTED, ALL DIMENSIONS IN INCHES; MACHINING DIMENSIONS LIMITED TO FRACTIONAL 31/64. ANGULAR 31/2°; STRUCTURAL DIMENSIONS LIMITED TO 31/16. DO NOT SCALE THIS DRAWING.

THIS DRAWING AND ALL INFORMATION THEREIN IS THE PROPERTY OF AND CONFIDENTIAL TO JOY TECHNOLOGIES INCORPORATED. IT MUST NOT BE MADE PUBLIC OR COPIED. IT IS LOANED SUBJECT TO RETURN UPON DEMAND. IT IS NOT TO BE USED DIRECTLY OR INDIRECTLY IN ANY WAY DETRIMENTAL TO THE INTERESTS OF JOY TECHNOLOGIES INCORPORATED.

| YES LITHOPRINT |      |
|----------------|------|
| DESIGNER       | DATE |
| JOHNSON        | 6-88 |
| CHECKER        | DATE |
| ENGINEER       | DATE |
| APPROVAL       | DATE |

PATTERN NO. \_\_\_\_\_  
 HEAT TREAT \_\_\_\_\_  
 CARBURIZE (ECC) \_\_\_\_\_  
 HARDNESS \_\_\_\_\_  
 SIMILAR TO \_\_\_\_\_

**JOY TECHNOLOGIES INC.**  
 FRANKLIN, PENNA. 15323

**GATHERING HEAD  
 GEAR CASE (L.H.)**

SIZE FROM NO. **D175003** DWG. NO. **00572019-0045**  
 SCALE \_\_\_\_\_ WT. \_\_\_\_\_ SHEET **2**

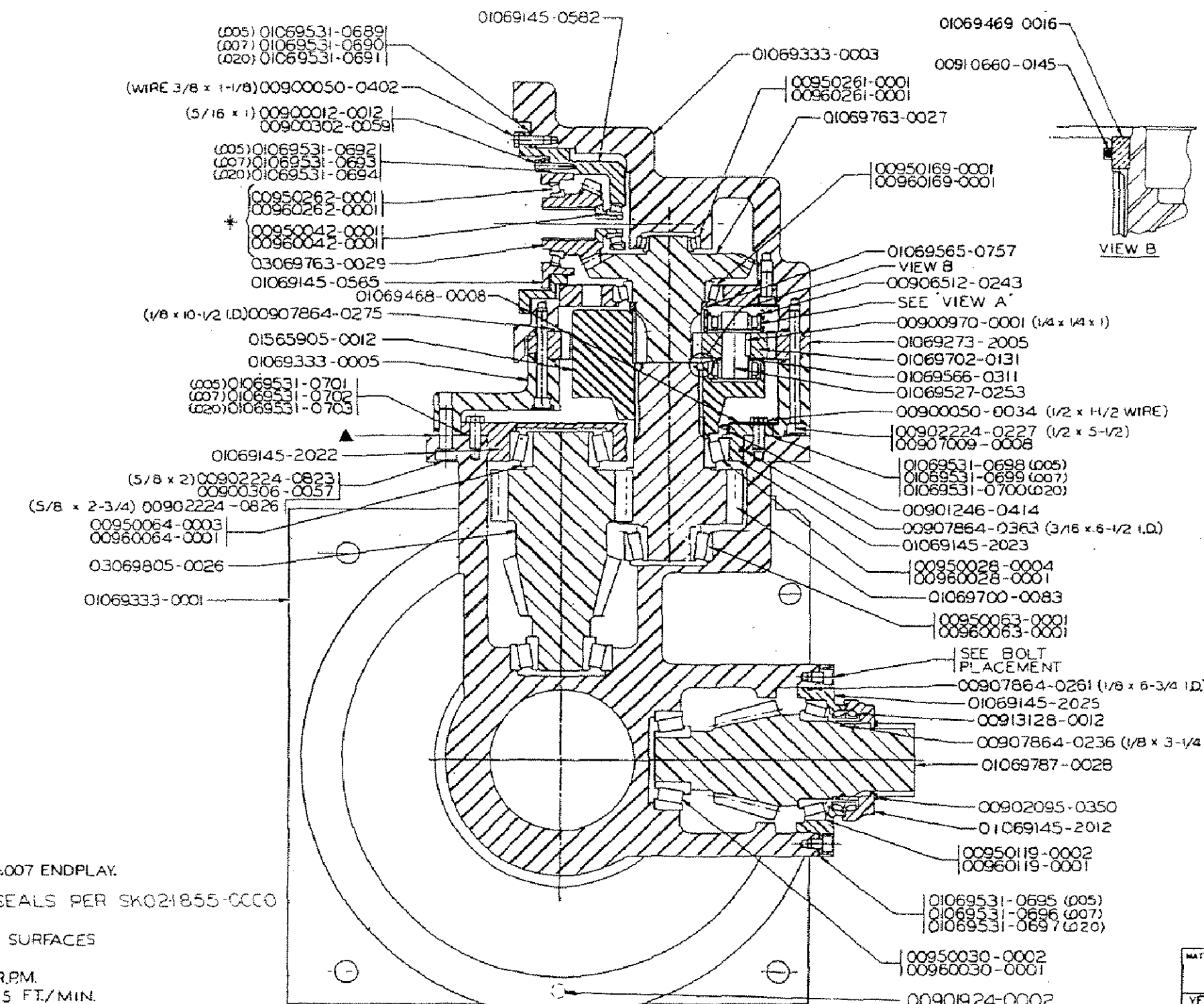


| B/M NUMBER    | DESCRIPTION                 | INCHES | REFERENCE        | DATE             |
|---------------|-----------------------------|--------|------------------|------------------|
| 00572019 0045 | CASE, GEAR, HEAD, GATHERING |        | SK021855 0000 01 |                  |
|               |                             |        | 00572019 0045 01 | FDC5481 01/59/70 |
|               |                             |        | 00572019 0045 02 | FDC8738 07/30/92 |
|               |                             |        | FDA0140 01/50/70 | FDE0491 02/25/93 |
|               |                             |        | FDA0523 01/51/70 | FDE2385 10/15/93 |
|               |                             |        | FDA0585 01/52/70 | FDE3488 01/27/94 |
|               |                             |        | FDA0694 01/53/70 | FDE6242 01/11/95 |
|               |                             |        | FDC0463 01/54/70 | FDE6254 01/26/95 |
|               |                             |        | FDC0908 01/55/70 | FDE7211 03/30/95 |
|               |                             |        | FDC1514 01/56/70 | FDE7768 06/05/95 |
|               |                             |        | FDC3065 01/57/70 | FDE9881 05/06/96 |
|               |                             |        | FDC4897 01/58/70 | PDF0454 00/00/00 |

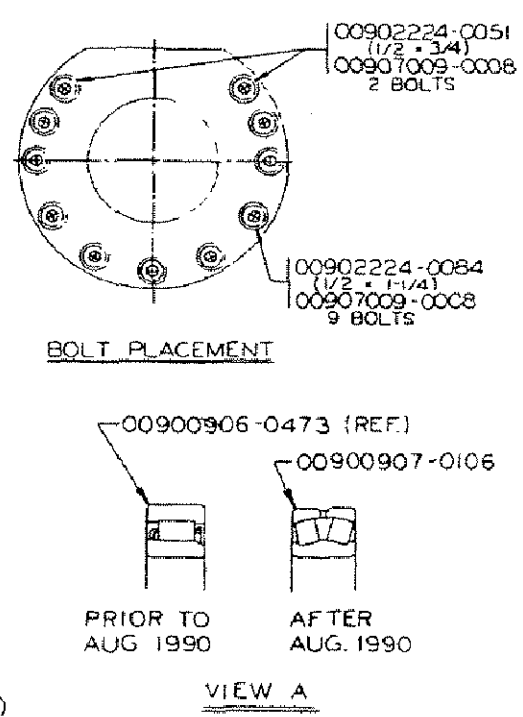
| QTY | G/P | PART NUMBER   | DESCRIPTION                       | REF NO | QTY | G/P | PART NUMBER   | DESCRIPTION                    | REF NO |
|-----|-----|---------------|-----------------------------------|--------|-----|-----|---------------|--------------------------------|--------|
| 6   | *   | 00809023 0000 | WIRE, 16 GA. (.0625)              |        | 1   |     | 00960119 0001 | BEARING, CUP, TAPERED          |        |
| 6   |     | 00900012 0012 | SCREW, CAP, GR. 5, 5/16-18 X 1    |        | 1   |     | 00960138 0001 | BEARING, CUP, TAPERED          |        |
| 4   |     | 00900043 0116 | SCREW, CAP, GR. 8, 3/4-10 X 3-1/2 |        | 1   |     | 00960169 0001 | BEARING, CUP, TAPERED          |        |
| 12  |     | 00900050 0034 | SCREW, CAP, GR. 5, 1/2-13 X 1-1/2 |        | 1   |     | 00960261 0001 | BEARING, CUP, TAPERED          |        |
| 6   |     | 00900050 0402 | SCREW, CAP, GR. 5, 3/8-16 X 1-1/8 |        | 1   |     | 00960262 0001 | BEARING, CUP, TAPERED          |        |
| 6   |     | 00900302 0059 | WASHER, LOCK, 5/16                |        | 1   |     | 01069140 0485 | CAP, BOLTED                    |        |
| 17  |     | 00900306 0057 | WASHER, LOCK, 5/8                 |        | 1   | *   | 01069140 2014 | CAP, BOLTED                    |        |
| 6   |     | 00900907 0106 | BEARING, ROLLER                   |        | 1   |     | 01069145 0565 | CARRIER, BEARING               |        |
| 3   |     | 00900970 0001 | KEY, 1/4 X 1/4 X 1                |        | 1   |     | 01069145 0582 | CARRIER, BEARING               |        |
| 2   |     | 00900970 1117 | KEY, 1 X 1/2 X 2-3/8              |        | 1   |     | 01069145 0584 | CARRIER, BEARING               |        |
| 2   |     | 00901205 0109 | PLUG, SQ. HD., MAG., 3/4 NPTF     |        | 1   |     | 01069145 0588 | CARRIER, BEARING               |        |
| 1   |     | 00901246 0414 | SEAL, LIP                         |        | 1   | *   | 01069145 2012 | CARRIER                        |        |
| 1   |     | 00901924 0002 | PLUG, HEX, SOC., 1/8 NPTF         |        | 1   | *   | 01069145 2020 | CARRIER, BEARING               |        |
| 1   |     | 00901924 0004 | PLUG, HEX SOC., 3/8 NPTF          |        | 1   |     | 01069145 2023 | CARRIER, BEARING               |        |
| 3   |     | 00901924 0007 | PLUG, HEX SOC., 1 NPTF            |        | 1   |     | 01069145 2024 | CARRIER, BEARING               |        |
| 1   |     | 00902095 0350 | RING, RETAINING                   |        | 1   | *   | 01069145 2025 | CARRIER, BEARING               |        |
| 8   |     | 00902190 0073 | SCREW, CAP, GR. 8, 3/8-16 X 1-1/4 |        | 1   |     | 01069217 0068 | DISC, HEAD, GATHERING          |        |
| 3   |     | 00902224 0046 | SCREW, CAP, 10-24 X 3/4           |        | 1   |     | 01069273 2005 | GEAR, INTERNAL                 |        |
| 2   |     | 00902224 0051 | SCREW, CAP, 1/2-13 X 3/4          |        | 1   |     | 01069333 0002 | HOUSING                        |        |
| 17  |     | 00902224 0084 | SCREW, CAP, 1/2-13 X 1-1/4        |        | 1   |     | 01069333 0003 | HOUSING                        |        |
| 9   |     | 00902224 0227 | SCREW, CAP, 1/2-13 X 5-1/2        |        | 1   |     | 01069333 0004 | HOUSING                        |        |
| 3   |     | 00902224 0615 | SCREW, CAP, 1/2-13 X 4-1/4        |        | 1   |     | 01069468 0008 | RETAINER                       |        |
| 14  |     | 00902224 0823 | SCREW, CAP, 5/8-11 X 2            |        | 1   |     | 01069469 0016 | RETAINING RING                 |        |
| 3   |     | 00902224 0826 | SCREW, CAP, 5/8-11 X 2-3/4        |        | 3   | *   | 01069527 0253 | SHAFT, SHOULDERED              |        |
| 8   |     | 00902224 0853 | SCREW, CAP, 3/4-10 X 1-1/2        |        | 3   |     | 01069531 0689 | SHIM, ROUND                    |        |
| 1   |     | 00904584 0024 | PIN, DOWEL, 1/4 X 7/8             |        | 3   |     | 01069531 0690 | SHIM, ROUND                    |        |
| 2   |     | 00904685 0044 | PIN, SPRING, .187 X .750          |        | 3   |     | 01069531 0691 | SHIM, ROUND                    |        |
| 1   |     | 00905361 0800 | RING, RETAINING                   |        | 3   |     | 01069531 0692 | SHIM, ROUND                    |        |
| 3   |     | 00906512 0243 | RING, RETAINING                   |        | 3   |     | 01069531 0693 | SHIM, ROUND                    |        |
| 23  |     | 00907009 0008 | WIRE, LOCKING, 11/16              |        | 3   | *   | 01069531 0694 | SHIM, ROUND                    |        |
| 8   |     | 00907009 0014 | WIRE, LOCKING, 1-1/16             |        | 3   | *   | 01069531 0695 | SHIM, ROUND                    |        |
| 1   |     | 00907864 0236 | O-RING                            |        | 3   | *   | 01069531 0696 | SHIM, ROUND                    |        |
| 1   |     | 00907864 0261 | O-RING                            |        | 3   | *   | 01069531 0697 | SHIM, ROUND                    |        |
| 1   |     | 00907864 0265 | O-RING                            |        | 3   |     | 01069531 0698 | SHIM, ROUND                    |        |
| 2   |     | 00907864 0275 | O-RING                            |        | 3   |     | 01069531 0699 | SHIM, ROUND                    |        |
| 1   |     | 00907864 0363 | O-RING                            |        | 3   |     | 01069531 0700 | SHIM, ROUND                    |        |
| 1   |     | 00907864 0390 | O-RING                            |        | 3   |     | 01069531 0701 | SHIM, ROUND                    |        |
| 1   |     | 00907864 0391 | O-RING                            |        | 3   |     | 01069531 0702 | SHIM, ROUND                    |        |
| 1   |     | 00910660 0145 | O-RING                            |        | 3   |     | 01069531 0703 | SHIM, ROUND                    |        |
| 1   |     | 00913128 0012 | SEAL, DUO-CONE, FLOATING          |        | 5   | *   | 01069531 0707 | SHIM, ROUND                    |        |
| 1   |     | 00913134 0007 | SEAL, DUO-CONE, FLOATING          |        | 3   | *   | 01069531 0708 | SHIM, ROUND                    |        |
| 1   |     | 00950028 0004 | BEARING, CONE, TAPERED            |        | 2   | *   | 01069531 0709 | SHIM, ROUND                    |        |
| 2   |     | 00950030 0002 | BEARING, CONE, TAPERED            |        | 3   |     | 01069531 0713 | SHIM, ROUND                    |        |
| 1   |     | 00950042 0001 | BEARING, CONE, TAPERED            |        | 3   |     | 01069531 0714 | SHIM, ROUND                    |        |
| 1   |     | 00950063 0001 | BEARING, CONE, TAPERED            |        | 3   |     | 01069531 0715 | SHIM, ROUND                    |        |
| 1   |     | 00950064 0003 | BEARING, CONE, TAPERED            |        | 3   |     | 01069531 0716 | SHIM, ROUND                    |        |
| 1   |     | 00950116 0001 | BEARING, CONE, TAPERED            |        | 3   |     | 01069531 0717 | SHIM, ROUND                    |        |
| 1   |     | 00950119 0002 | BEARING, CONE, TAPERED            |        | 3   |     | 01069531 0718 | SHIM, ROUND                    |        |
| 1   |     | 00950138 0003 | BEARING, CONE, TAPERED            |        | 1   |     | 01069565 0757 | SPACER, PLAIN                  |        |
| 1   |     | 00950169 0001 | BEARING, CONE, TAPERED            |        | 3   |     | 01069566 0311 | SPACER, SPECIAL                |        |
| 1   |     | 00950261 0001 | BEARING, CONE, TAPERED            |        | 1   |     | 01069700 0083 | GEAR, SPUR, 3DP                |        |
| 1   |     | 00950262 0001 | BEARING, CONE, TAPERED            |        | 3   |     | 01069702 0131 | GEAR, SPUR, 5DP                |        |
| 1   |     | 00960028 0001 | BEARING, CUP, TAPERED             |        | 1   |     | 01069763 0027 | GEAR, BEVEL, STRAIGHT, 4DP     |        |
| 2   |     | 00960030 0001 | BEARING, CUP, TAPERED             |        | 1   |     | 01069787 0028 | GEAR, BEVEL, STRAIGHT, SPECIAL |        |
| 1   |     | 00960042 0001 | BEARING, CUP, TAPERED             |        | 1   |     | 01069787 0042 | GEAR, BEVEL, STR., SPECIAL     |        |
| 1   |     | 00960063 0001 | BEARING, CUP, TAPERED             |        | 1   |     | 01565905 0012 | CAGE, PLANETARY                |        |
| 1   |     | 00960064 0001 | BEARING, CUP, TAPERED             |        | 1   |     | 03069763 0029 | GEAR                           |        |
| 1   |     | 00960116 0001 | BEARING, CUP, TAPERED             |        | 1   |     | 03069805 0026 | GEAR                           |        |



| REV. NO. |     | DESCRIPTION | DATE  | APPROVED |
|----------|-----|-------------|-------|----------|
| ZONE     | REV |             |       |          |
| A        |     | FDA 0523    | 6-88  |          |
| B        |     | FDA 0585    | 8-88  |          |
| C        |     | FDA 0898    | 9-88  |          |
| D        |     | FDC 0463    | 12-88 |          |
| E        |     | FDC 0908    | 3-89  |          |
| F        |     | FDC 3065    | 5-90  |          |
| G        |     | FDC 4897    | 12-90 |          |
| H        |     | FDC 5481    | 2-91  |          |
| I        |     | FDC 8738    | 7-92  |          |
| J        |     | FDE 0491    | 2-93  |          |
| K        |     | FDE 2385    | 10-93 |          |
| L        |     | FDE 3488    | 1-94  |          |
| M        |     | FDE 6242    | 1-95  |          |
| N        |     | FD0454      | 5-96  |          |



\*ADJUST FOR .005-.007 ENDPLAY.  
 INSTALL CAT SEALS PER SK021855-0000  
 ▲PERMATLEX THESE SURFACES  
 DISC SPEED = 54 R.P.M.  
 CHAIN SPEED = 475 FT./MIN.



| ASS'Y NO.     | TYPE      | DISC P/N      | THROW | REL. EO | REVISION | REVISION | REVISION    | REVISION | REVISION | REVISION | REVISION |
|---------------|-----------|---------------|-------|---------|----------|----------|-------------|----------|----------|----------|----------|
| 00572019-0044 | CLA       | 01069217-0068 |       | FDA0523 | FDE3488  | FDE6242  | (N) FDF0454 |          |          |          |          |
| 00572019-0052 | GATH. ARM | 01069217-0067 | 10"   | FDA0898 | FDE3488  | FDE6242  | (N) FDF0454 |          |          |          |          |

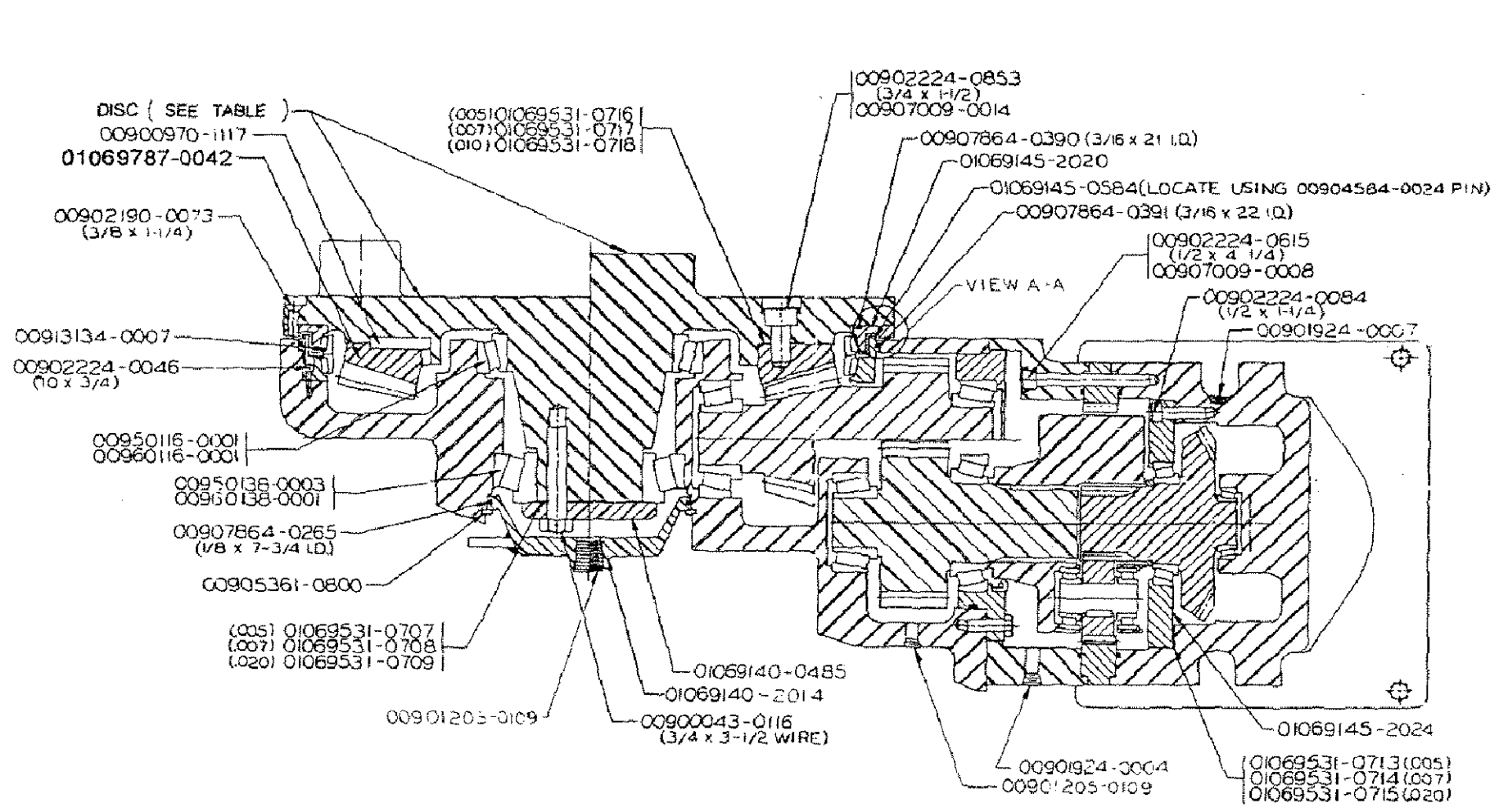
| MATERIAL       |           | HEAT TREAT                      |  |
|----------------|-----------|---------------------------------|--|
| YES LITHOPRINT |           | CARBURIZE (ECO)                 |  |
| DRAFTER        |           | HARDNESS                        |  |
| JOHNSON        | DATE 6-88 | SIMILAR TO                      |  |
| CHECKER:       | DATE      | JOY TECHNOLOGIES INC.           |  |
| ENGINEER:      | DATE      | PHILADELPHIA, PENNA. 19125      |  |
| APPROVAL:      | DATE      | GATHERING HEAD GEAR CASE (R.H.) |  |
| SIZE FROM NO.  |           | Dwg. NO.                        |  |
| DI 75003       |           | 00572019-0044                   |  |
| SCALE          |           | SHEET 1 OF 2                    |  |

UNLESS OTHERWISE NOTED, ALL DIMENSIONS IN (INCHES) MACHINING DIMENSIONS LIMITED TO FRACTIONAL 1/64", ANGULAR 1/2°; STRUCTURAL DIMENSIONS LIMITED TO 1/16". DO NOT SCALE THIS DRAWING.  
 THIS DRAWING AND ALL INFORMATION THEREON IS THE PROPERTY OF AND CONFIDENTIAL TO JOY TECHNOLOGIES INCORPORATED. IT MUST NOT BE MADE PUBLIC OR COPIED. IT IS LOANED SUBJECT TO RETURN UPON DEMAND. IT IS NOT TO BE USED DIRECTLY OR INDIRECTLY IN ANY WAY DETRIMENTAL TO THE INTERESTS OF JOY TECHNOLOGIES INCORPORATED.

| B/M NUMBER    | DESCRIPTION                 | INCHES | REFERENCE        | DATE             |
|---------------|-----------------------------|--------|------------------|------------------|
| 00572019 0044 | CASE, GEAR, HEAD, GATHERING |        | SK021855 0000 01 | FDC5481 01/58/70 |
|               |                             |        | 00572019 0044 01 | FDC8738 07/30/92 |
|               |                             |        | 00572019 0044 02 | FDE0491 02/25/93 |
|               |                             |        | FDA0140 01/50/70 | FDE2385 10/15/93 |
|               |                             |        | FDA0523 01/51/70 | FDE3488 01/27/94 |
|               |                             |        | FDA0585 01/52/70 | FDE6242 01/11/95 |
|               |                             |        | FDC0463 01/53/70 | FDE6254 01/26/95 |
|               |                             |        | FDC0908 01/54/70 | FDE7211 03/30/95 |
|               |                             |        | FDC1514 01/55/70 | FDE9337 03/13/96 |
|               |                             |        | FDC3065 01/56/70 | FDE9881 05/06/96 |
|               |                             |        | FDC4897 01/57/70 | FDFO454 00/00/00 |

| QTY | G/P | PART NUMBER   | DESCRIPTION                       | REF NO | QTY | G/P | PART NUMBER   | DESCRIPTION                    | REF NO |
|-----|-----|---------------|-----------------------------------|--------|-----|-----|---------------|--------------------------------|--------|
| 6   | *   | 00809023 0000 | WIRE, 16 GA. (.0625)              |        | 1   |     | 00960119 0001 | BEARING, CUP, TAPERED          |        |
| 6   |     | 00900012 0012 | SCREW, CAP, GR. 5, 5/16-18 X 1    |        | 1   |     | 00960138 0001 | BEARING, CUP, TAPERED          |        |
| 4   |     | 00900043 0116 | SCREW, CAP, GR. 8, 3/4-10 X 3-1/2 |        | 1   |     | 00960169 0001 | BEARING, CUP, TAPERED          |        |
| 12  |     | 00900050 0034 | SCREW, CAP, GR. 5, 1/2-13 X 1-1/2 |        | 1   |     | 00960261 0001 | BEARING, CUP, TAPERED          |        |
| 6   |     | 00900050 0402 | SCREW, CAP, GR. 5, 3/8-16 X 1-1/8 |        | 1   |     | 00960262 0001 | BEARING, CUP, TAPERED          |        |
| 6   |     | 00900302 0059 | WASHER, LOCK, 5/16                |        | 1   |     | 01069140 0485 | CAP, BOLTED                    |        |
| 17  |     | 00900306 0057 | WASHER, LOCK, 5/8                 |        | 1   | *   | 01069140 2014 | CAP, BOLTED                    |        |
| 6   |     | 00900907 0106 | BEARING, ROLLER                   |        | 1   |     | 01069145 0565 | CARRIER, BEARING               |        |
| 3   |     | 00900970 0001 | KEY, 1/4 X 1/4 X 1                |        | 1   |     | 01069145 0562 | CARRIER, BEARING               |        |
| 2   |     | 00900970 1117 | KEY, 1 X 1/2 X 2-3/8              |        | 1   |     | 01069145 0584 | CARRIER, BEARING               |        |
| 2   |     | 00901205 0109 | PLUG, SQ. HD., MAG., 3/4 NPTF     |        | 1   | *   | 01069145 2012 | CARRIER                        |        |
| 1   |     | 00901246 0414 | SEAL, LIP                         |        | 1   | *   | 01069145 2020 | CARRIER, BEARING               |        |
| 1   |     | 00901924 0002 | PLUG, HEX, SOC., 1/8 NPTF         |        | 1   |     | 01069145 2022 | CARRIER, BEARING               |        |
| 1   |     | 00901924 0004 | PLUG, HEX, SOC., 3/8 NPTF         |        | 1   |     | 01069145 2023 | CARRIER, BEARING               |        |
| 3   |     | 00901924 0007 | PLUG, HEX, SOC., 1 NPTF           |        | 1   |     | 01069145 2024 | CARRIER, BEARING               |        |
| 1   |     | 00902095 0350 | RING, RETAINING                   |        | 1   | *   | 01069145 2025 | CARRIER, BEARING               |        |
| 8   |     | 00902190 0073 | SCREW, CAP, GR. 8, 3/8-16 X 1-1/4 |        | 1   |     | 01069217 0068 | DISC, HEAD, GATHERING          |        |
| 3   |     | 00902224 0046 | SCREW, CAP, 10-24 X 3/4           |        | 1   |     | 01069273 2005 | GEAR, INTERNAL                 |        |
| 2   |     | 00902224 0051 | SCREW, CAP, 1/2-13 X 3/4          |        | 1   |     | 01069333 0001 | HOUSING                        |        |
| 17  |     | 00902224 0084 | SCREW, CAP, 1/2-13 X 1-1/4        |        | 1   |     | 01069333 0003 | HOUSING                        |        |
| 9   |     | 00902224 0227 | SCREW, CAP, 1/2-13 X 5-1/2        |        | 1   |     | 01069333 0005 | HOUSING                        |        |
| 3   |     | 00902224 0615 | SCREW, CAP, 1/2-13 X 4-1/4        |        | 1   |     | 01069468 0008 | RETAINER                       |        |
| 14  |     | 00902224 0823 | SCREW, CAP, 5/8-11 X 2            |        | 1   |     | 01069469 0016 | RETAINING RING                 |        |
| 3   |     | 00902224 0826 | SCREW, CAP, 5/8-11 X 2-3/4        |        | 3   | *   | 01069527 0253 | SHAFT, SHOULDERED              |        |
| 8   |     | 00902224 0853 | SCREW, CAP, 3/4-10 X 1-1/2        |        | 3   |     | 01069531 0689 | SHIM, ROUND                    |        |
| 1   |     | 00904584 0024 | PIN, DOWEL, 1/4 X 7/8             |        | 3   |     | 01069531 0690 | SHIM, ROUND                    |        |
| 2   |     | 00904685 0044 | PIN, SPRING, .187 X .750          |        | 3   |     | 01069531 0691 | SHIM, ROUND                    |        |
| 1   |     | 00905361 0800 | RING, RETAINING                   |        | 3   |     | 01069531 0692 | SHIM, ROUND                    |        |
| 3   |     | 00906512 0243 | RING, RETAINING                   |        | 3   |     | 01069531 0693 | SHIM, ROUND                    |        |
| 23  |     | 00907009 0008 | WIRE, LOCKING, 11/16              |        | 3   |     | 01069531 0694 | SHIM, ROUND                    |        |
| 8   |     | 00907009 0014 | WIRE, LOCKING, 1-1/16             |        | 3   | *   | 01069531 0695 | SHIM, ROUND                    |        |
| 1   |     | 00907864 0236 | O-RING                            |        | 3   | *   | 01069531 0696 | SHIM, ROUND                    |        |
| 1   |     | 00907864 0261 | O-RING                            |        | 3   | *   | 01069531 0697 | SHIM, ROUND                    |        |
| 1   |     | 00907864 0265 | O-RING                            |        | 3   |     | 01069531 0698 | SHIM, ROUND                    |        |
| 2   |     | 00907864 0275 | O-RING                            |        | 3   |     | 01069531 0699 | SHIM, ROUND                    |        |
| 1   |     | 00907864 0363 | O-RING                            |        | 3   |     | 01069531 0700 | SHIM, ROUND                    |        |
| 1   |     | 00907864 0390 | O-RING                            |        | 3   |     | 01069531 0701 | SHIM, ROUND                    |        |
| 1   |     | 00907864 0391 | O-RING                            |        | 3   |     | 01069531 0702 | SHIM, ROUND                    |        |
| 1   |     | 00910660 0145 | O-RING                            |        | 3   |     | 01069531 0703 | SHIM, ROUND                    |        |
| 1   |     | 00913128 0012 | SEAL, DUO-CONE, FLOATING          |        | 5   | *   | 01069531 0707 | SHIM, ROUND                    |        |
| 1   |     | 00913134 0007 | SEAL, DUO-CONE, FLOATING          |        | 3   | *   | 01069531 0708 | SHIM, ROUND                    |        |
| 1   |     | 00950028 0004 | BEARING, CONE, TAPERED            |        | 2   | *   | 01069531 0709 | SHIM, ROUND                    |        |
| 2   |     | 00950030 0002 | BEARING, CONE, TAPERED            |        | 3   |     | 01069531 0713 | SHIM, ROUND                    |        |
| 1   |     | 00950042 0001 | BEARING, CONE, TAPERED            |        | 3   |     | 01069531 0714 | SHIM, ROUND                    |        |
| 1   |     | 00950063 0001 | BEARING, CONE, TAPERED            |        | 3   |     | 01069531 0715 | SHIM, ROUND                    |        |
| 1   |     | 00950064 0003 | BEARING, CONE, TAPERED            |        | 3   |     | 01069531 0716 | SHIM, ROUND                    |        |
| 1   |     | 00950116 0001 | BEARING, CONE, TAPERED            |        | 3   |     | 01069531 0717 | SHIM, ROUND                    |        |
| 1   |     | 00950119 0002 | BEARING, CONE, TAPERED            |        | 3   |     | 01069531 0718 | SHIM, ROUND                    |        |
| 1   |     | 00950138 0003 | BEARING, CONE, TAPERED            |        | 1   |     | 01069565 0757 | SPACER, PLAIN                  |        |
| 1   |     | 00950169 0001 | BEARING, CONE, TAPERED            |        | 3   |     | 01069566 0311 | SPACER, SPECIAL                |        |
| 1   |     | 00950261 0001 | BEARING, CONE, TAPERED            |        | 1   |     | 01069700 0083 | GEAR, SPUR, 3DP                |        |
| 1   |     | 00950262 0001 | BEARING, CONE, TAPERED            |        | 3   |     | 01069702 0131 | GEAR, SPUR, 5DP                |        |
| 1   |     | 00960028 0001 | BEARING, CUP, TAPERED             |        | 1   |     | 01069763 0027 | GEAR, BEVEL, STRAIGHT, 4DP     |        |
| 2   |     | 00960030 0001 | BEARING, CUP, TAPERED             |        | 1   |     | 01069787 0028 | GEAR, BEVEL, STRAIGHT, SPECIAL |        |
| 1   |     | 00960042 0001 | BEARING, CUP, TAPERED             |        | 1   |     | 01069787 0042 | GEAR, BEVEL, STR., SPECIAL     |        |
| 1   |     | 00960063 0001 | BEARING, CUP, TAPERED             |        | 1   |     | 01565905 0012 | CAGE, PLANETARY                |        |
| 1   |     | 00960064 0001 | BEARING, CUP, TAPERED             |        | 1   |     | 03069763 0029 | GEAR                           |        |
| 1   |     | 00960116 0001 | BEARING, CUP, TAPERED             |        | 1   |     | 03069805 0026 | GEAR                           |        |

| REVISIONS |     |             |       |          |
|-----------|-----|-------------|-------|----------|
| ZONE      | REV | DESCRIPTION | DATE  | APPROVED |
| A         |     | FDA 0523    | 6-88  |          |
| B         |     | FDA 0585    | 2-88  |          |
| C         |     | FDA 0605    | 2-88  |          |
| D         |     | FDC 0463    | 12-88 |          |
| E         |     | FDC 1514    | 7-89  |          |
| F         |     | FDC 4897    | 11-90 |          |
| G         |     | FDE 0491    | 2-93  |          |
| H         |     | FDE 7211    | 3-95  |          |
| I         |     | FDE 9881    | 3-96  |          |
| J         |     | DFD 0454    | 5-96  |          |



| ASSY NO.      | TYPE      | DISC P/N      | THR W: | REL'D   | REVISION | REVISION | REVISION | REVISION | REVISION | REVISION | REVISION | REVISION | REVISION |
|---------------|-----------|---------------|--------|---------|----------|----------|----------|----------|----------|----------|----------|----------|----------|
| 00572019-0044 | CLA       | 01069217-0068 |        | FDA0523 | FDA0585  | FDA0696  | FDC0463  | FDC1514  | FDC4897  | FDE0491  | FDE7211  | FDE9881  | DFD0454  |
| 00572019-0052 | GATH. ARM | 01069217-0067 | 10"    | FDA0898 | FDC0463  | FDC1514  | FDC4897  | FDE0491  | FDE7211  | FDE9881  | DFD0454  |          |          |

UNLESS OTHERWISE NOTED: ALL DIMENSIONS IN INCHES; MACHINING DIMENSIONS LIMITED TO FRACTIONAL 1/16"; ANGULAR 11/2"; STRUCTURAL DIMENSIONS LIMITED TO 1/16". DO NOT SCALE THIS DRAWING.

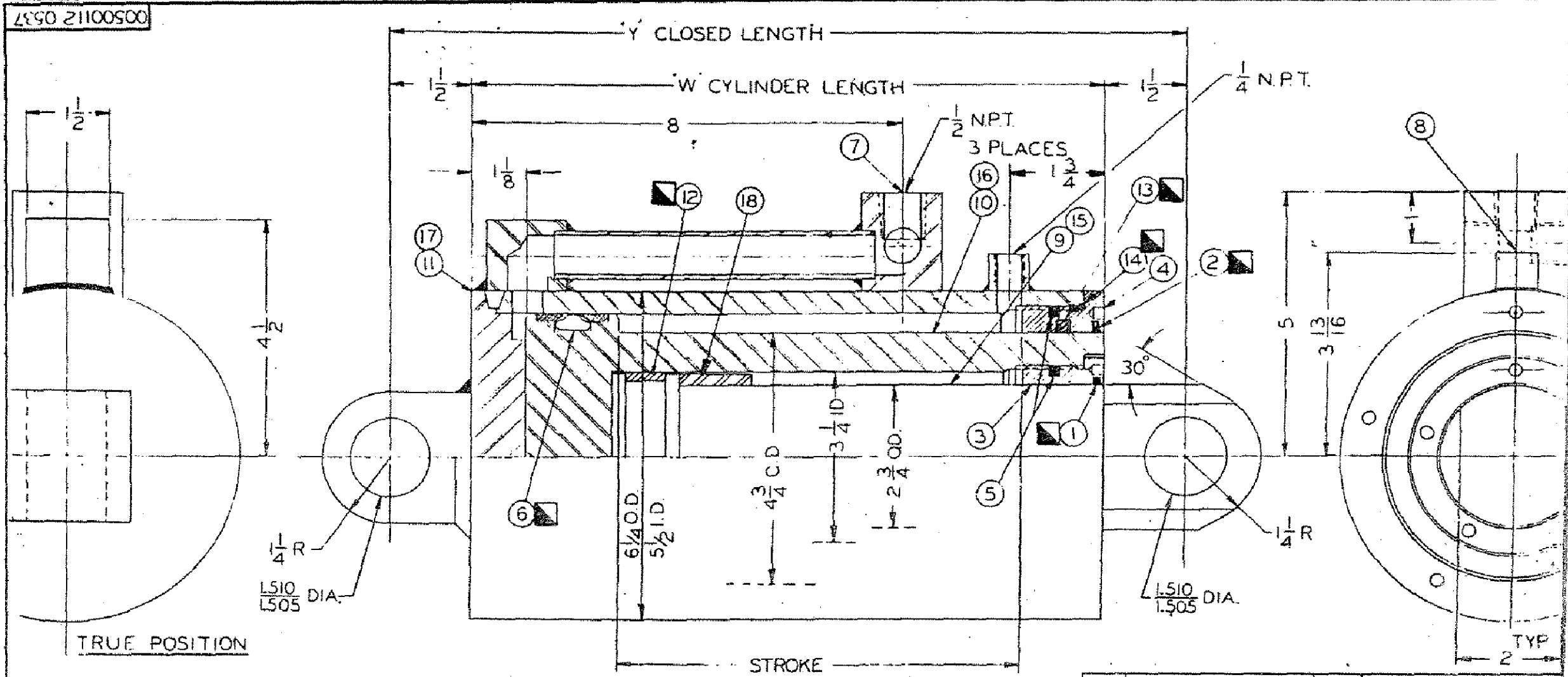
THIS DRAWING AND ALL INFORMATION THEREIN IS THE PROPERTY OF AND CONFIDENTIAL TO JOY TECHNOLOGIES INCORPORATED. IT MUST NOT BE MADE PUBLIC OR COPIED. IT IS LOANED SUBJECT TO RETURN UPON DEMAND. IT IS NOT TO BE USED DIRECTLY OR INDIRECTLY IN ANY WAY DETRIMENTAL TO THE INTERESTS OF JOY TECHNOLOGIES INCORPORATED.

|   |                           |                 |
|---|---------------------------|-----------------|
| YES LITHOPRINT                                  | CLASS MINERS              | PATTERN NO.     |
| DRAWN BY<br>JOHNSON                             | DATE<br>6 88              | HEAT TREAT      |
| DESIGNED BY                                     | DATE                      | CARBURIZE (ECC) |
| ENGINEER  | DATE                      | HARDNESS        |
| APPROVAL  | DATE                      | SIMILAR TO      |
| JOY TECHNOLOGIES INC.<br>FRANKLIN, PENNA. 16323 |                           |                 |
| GATHERING HEAD<br>GEAR CASE (R.H.)              |                           |                 |
| SIZE<br>D 75003                                 | DWG. NO.<br>00572019-0044 |                 |
| SCALE   | WGT.                      | SHEET<br>2      |

| B/M NUMBER    | DESCRIPTION                 | INCHES | REFERENCE        | DATE             |
|---------------|-----------------------------|--------|------------------|------------------|
| 00572019 0044 | CASE, GEAR, HEAD, GATHERING |        | SKO21855 0000 01 | FDC5481 01/58/70 |
|               |                             |        | 00572019 0044 01 | FDC8738 07/30/92 |
|               |                             |        | 00572019 0044 02 | FDE0491 02/25/93 |
|               |                             |        | FDA0140 01/50/70 | FDE2385 10/15/93 |
|               |                             |        | FDA0523 01/51/70 | FDE3488 01/27/94 |
|               |                             |        | FDA0585 01/52/70 | FDE6242 01/11/95 |
|               |                             |        | FDC0463 01/53/70 | FDE6254 01/26/95 |
|               |                             |        | FDC0908 01/54/70 | FDE7211 03/30/95 |
|               |                             |        | FDC1514 01/55/70 | FDE9337 03/13/96 |
|               |                             |        | FDC3065 01/56/70 | FDE9881 05/06/96 |
|               |                             |        | FDC4897 01/57/70 | PDF0454 00/00/00 |

| QTY | G/P | PART NUMBER   | DESCRIPTION                       | REF NO | QTY | G/P | PART NUMBER   | DESCRIPTION                    | REF NO |
|-----|-----|---------------|-----------------------------------|--------|-----|-----|---------------|--------------------------------|--------|
| 6   | *   | 00809023 0000 | WIRE, 16 GA. (.0625)              |        | 1   |     | 00960119 0001 | BEARING, CUP, TAPERED          |        |
| 6   |     | 00900012 0012 | SCREW, CAP, GR. 5, 5/16-18 X 1    |        | 1   |     | 00960138 0001 | BEARING, CUP, TAPERED          |        |
| 4   |     | 00900043 0116 | SCREW, CAP, GR. 8, 3/4-10 X 3-1/2 |        | 1   |     | 00960169 0001 | BEARING, CUP, TAPERED          |        |
| 12  |     | 00900050 0034 | SCREW, CAP, GR. 5, 1/2-13 X 1-1/2 |        | 1   |     | 00960261 0001 | BEARING, CUP, TAPERED          |        |
| 6   |     | 00900050 0402 | SCREW, CAP, GR. 5, 3/8-16 X 1-1/8 |        | 1   |     | 00960262 0001 | BEARING, CUP, TAPERED          |        |
| 6   |     | 00900302 0059 | WASHER, LOCK, 5/16                |        | 1   |     | 01069140 0485 | CAP, BOLTED                    |        |
| 17  |     | 00900306 0057 | WASHER, LOCK, 5/8                 |        | 1   | *   | 01069140 2014 | CAP, BOLTED                    |        |
| 6   |     | 00900907 0106 | BEARING, ROLLER                   |        | 1   |     | 01069145 0565 | CARRIER, BEARING               |        |
| 3   |     | 00900970 0001 | KEY, 1/4 X 1/4 X 1                |        | 1   |     | 01069145 0562 | CARRIER, BEARING               |        |
| 2   |     | 00900970 1117 | KEY, 1 X 1/2 X 2-3/8              |        | 1   |     | 01069145 0584 | CARRIER, BEARING               |        |
| 2   |     | 00901205 0109 | PLUG, SQ. HD., MAG., 3/4 NPTF     |        | 1   | *   | 01069145 2012 | CARRIER                        |        |
| 1   |     | 00901246 0414 | SEAL, LIP                         |        | 1   | *   | 01069145 2020 | CARRIER, BEARING               |        |
| 1   |     | 00901924 0002 | PLUG, HEX, SOC., 1/8 NPTF         |        | 1   |     | 01069145 2022 | CARRIER, BEARING               |        |
| 1   |     | 00901924 0004 | PLUG, HEX, SOC., 3/8 NPTF         |        | 1   |     | 01069145 2023 | CARRIER, BEARING               |        |
| 3   |     | 00901924 0007 | PLUG, HEX, SOC., 1 NPTF           |        | 1   |     | 01069145 2024 | CARRIER, BEARING               |        |
| 1   |     | 00902095 0350 | RING, RETAINING                   |        | 1   | *   | 01069145 2025 | CARRIER, BEARING               |        |
| 8   |     | 00902190 0073 | SCREW, CAP, GR. 8, 3/8-16 X 1-1/4 |        | 1   |     | 01069217 0068 | DISC, HEAD, GATHERING          |        |
| 3   |     | 00902224 0046 | SCREW, CAP, 10-24 X 3/4           |        | 1   |     | 01069273 2005 | GEAR, INTERNAL                 |        |
| 2   |     | 00902224 0051 | SCREW, CAP, 1/2-13 X 3/4          |        | 1   |     | 01069333 0001 | HOUSING                        |        |
| 17  |     | 00902224 0084 | SCREW, CAP, 1/2-13 X 1-1/4        |        | 1   |     | 01069333 0003 | HOUSING                        |        |
| 9   |     | 00902224 0227 | SCREW, CAP, 1/2-13 X 5-1/2        |        | 1   |     | 01069333 0005 | HOUSING                        |        |
| 3   |     | 00902224 0615 | SCREW, CAP, 1/2-13 X 4-1/4        |        | 1   |     | 01069468 0008 | RETAINER                       |        |
| 14  |     | 00902224 0823 | SCREW, CAP, 5/8-11 X 2            |        | 1   |     | 01069469 0016 | RETAINING RING                 |        |
| 3   |     | 00902224 0826 | SCREW, CAP, 5/8-11 X 2-3/4        |        | 3   | *   | 01069527 0253 | SHAFT, SHOULDERED              |        |
| 8   |     | 00902224 0853 | SCREW, CAP, 3/4-10 X 1-1/2        |        | 3   |     | 01069531 0689 | SHIM, ROUND                    |        |
| 1   |     | 00904584 0024 | PIN, DOWEL, 1/4 X 7/8             |        | 3   |     | 01069531 0690 | SHIM, ROUND                    |        |
| 2   |     | 00904685 0044 | PIN, SPRING, .187 X .750          |        | 3   |     | 01069531 0691 | SHIM, ROUND                    |        |
| 1   |     | 00905361 0800 | RING, RETAINING                   |        | 3   |     | 01069531 0692 | SHIM, ROUND                    |        |
| 3   |     | 00906512 0243 | RING, RETAINING                   |        | 3   |     | 01069531 0693 | SHIM, ROUND                    |        |
| 23  |     | 00907009 0008 | WIRE, LOCKING, 11/16              |        | 3   |     | 01069531 0694 | SHIM, ROUND                    |        |
| 8   |     | 00907009 0014 | WIRE, LOCKING, 1-1/16             |        | 3   | *   | 01069531 0695 | SHIM, ROUND                    |        |
| 1   |     | 00907864 0236 | O-RING                            |        | 3   | *   | 01069531 0696 | SHIM, ROUND                    |        |
| 1   |     | 00907864 0261 | O-RING                            |        | 3   | *   | 01069531 0697 | SHIM, ROUND                    |        |
| 1   |     | 00907864 0265 | O-RING                            |        | 3   |     | 01069531 0698 | SHIM, ROUND                    |        |
| 2   |     | 00907864 0275 | O-RING                            |        | 3   |     | 01069531 0699 | SHIM, ROUND                    |        |
| 1   |     | 00907864 0363 | O-RING                            |        | 3   |     | 01069531 0700 | SHIM, ROUND                    |        |
| 1   |     | 00907864 0390 | O-RING                            |        | 3   |     | 01069531 0701 | SHIM, ROUND                    |        |
| 1   |     | 00907864 0391 | O-RING                            |        | 3   |     | 01069531 0702 | SHIM, ROUND                    |        |
| 1   |     | 00910660 0145 | O-RING                            |        | 3   |     | 01069531 0703 | SHIM, ROUND                    |        |
| 1   |     | 00913128 0012 | SEAL, DUO-CONE, FLOATING          |        | 5   | *   | 01069531 0707 | SHIM, ROUND                    |        |
| 1   |     | 00913134 0007 | SEAL, DUO-CONE, FLOATING          |        | 3   | *   | 01069531 0708 | SHIM, ROUND                    |        |
| 1   |     | 00950028 0004 | BEARING, CONE, TAPERED            |        | 2   | *   | 01069531 0709 | SHIM, ROUND                    |        |
| 2   |     | 00950030 0002 | BEARING, CONE, TAPERED            |        | 3   |     | 01069531 0713 | SHIM, ROUND                    |        |
| 1   |     | 00950042 0001 | BEARING, CONE, TAPERED            |        | 3   |     | 01069531 0714 | SHIM, ROUND                    |        |
| 1   |     | 00950063 0001 | BEARING, CONE, TAPERED            |        | 3   |     | 01069531 0715 | SHIM, ROUND                    |        |
| 1   |     | 00950064 0003 | BEARING, CONE, TAPERED            |        | 3   |     | 01069531 0716 | SHIM, ROUND                    |        |
| 1   |     | 00950116 0001 | BEARING, CONE, TAPERED            |        | 3   |     | 01069531 0717 | SHIM, ROUND                    |        |
| 1   |     | 00950119 0002 | BEARING, CONE, TAPERED            |        | 3   |     | 01069531 0718 | SHIM, ROUND                    |        |
| 1   |     | 00950138 0003 | BEARING, CONE, TAPERED            |        | 1   |     | 01069565 0757 | SPACER, PLAIN                  |        |
| 1   |     | 00950169 0001 | BEARING, CONE, TAPERED            |        | 3   |     | 01069566 0311 | SPACER, SPECIAL                |        |
| 1   |     | 00950261 0001 | BEARING, CONE, TAPERED            |        | 1   |     | 01069700 0083 | GEAR, SPUR, 3DP                |        |
| 1   |     | 00950262 0001 | BEARING, CONE, TAPERED            |        | 3   |     | 01069702 0131 | GEAR, SPUR, 5DP                |        |
| 1   |     | 00960028 0001 | BEARING, CUP, TAPERED             |        | 1   |     | 01069763 0027 | GEAR, BEVEL, STRAIGHT, 4DP     |        |
| 2   |     | 00960030 0001 | BEARING, CUP, TAPERED             |        | 1   |     | 01069787 0028 | GEAR, BEVEL, STRAIGHT, SPECIAL |        |
| 1   |     | 00960042 0001 | BEARING, CUP, TAPERED             |        | 1   |     | 01069787 0042 | GEAR, BEVEL, STR., SPECIAL     |        |
| 1   |     | 00960063 0001 | BEARING, CUP, TAPERED             |        | 1   |     | 01565905 0012 | CAGE, PLANETARY                |        |
| 1   |     | 00960064 0001 | BEARING, CUP, TAPERED             |        | 1   |     | 03069763 0029 | GEAR                           |        |
| 1   |     | 00960116 0001 | BEARING, CUP, TAPERED             |        | 1   |     | 03069805 0026 | GEAR                           |        |

00500112-0537



|               |             |               |       |       |      |
|---------------|-------------|---------------|-------|-------|------|
| 00500112-0546 | 1 THRU 8    | 9.5           | 13.75 | 16.75 | 1.75 |
|               | 12 THRU 18  | 6.00 PULL OUT |       |       |      |
| 00500112-0537 | 1 THRU 14   | 7.5           | 11.75 | 14.75 | 1.75 |
|               |             | 6.00 PULL OUT |       |       |      |
| JOY PART NO.  | CONSISTS OF | STROKE        | 'W'   | 'Y'   | O.L. |

|     |                     |      |               |
|-----|---------------------|------|---------------|
| 14  | O-RING (3/32x5-1/2) | 1    | 00910660-0161 |
| 13  | ROD SEAL            | 1    | 00914478-0160 |
| 12  | PISTON BEARING      | 1    | 01567707-0032 |
| 11  | MAIN CYL ASSY       | 1    | 03069862-0024 |
| 10  | 1ST SLEEVE          | 1    | 00506205-1735 |
| 9   | PLUNGER             | 1    | 00506205-1736 |
| 8   | PLUG                | 1    | 00901924-0003 |
| 7   | PLUG                | 3    | 00901924-0005 |
| 6   | PISTON SEAL         | 1    | 01567707-0031 |
| 5   | NYLON PLUG          | 2    | 03190154-0046 |
| 4   | PACKING NUT         | 1    | 01069858-0009 |
| 3   | PACKING NUT         | 1    | 01069858-0008 |
| 2   | WIPER               | 1    | 03190338-0021 |
| 1   | WIPER               | 1    | 00461768-0000 |
| NO. | DESCRIPTION         | QTY. | PART NO.      |

OPERATING PRESSURE - 2000 P.S.I.  
 INCL. IN SEAL KIT 00703761-0032

|     |               |      |               |
|-----|---------------|------|---------------|
| 18  | SPACER        | 1    | 01701688-0000 |
| 17  | MAIN CYL ASSY | 1    | 00506205-1774 |
| 16  | 1ST SLEEVE    | 1    | 00506205-1775 |
| 15  | PLUNGER       | 1    | 00506205-1776 |
| NO. | DESCRIPTION   | QTY. | PART NO.      |

This drawing and all information therein is the property of the JOY MANUFACTURING CO. It is confidential and should not be made public or copied. It is loaned subject to terms upon receipt. It is not to be used directly or indirectly in any way detrimental to our interest.

**JOY MANUFACTURING CO.**  
 PLANT LOCATION AS INDICATED BELOW

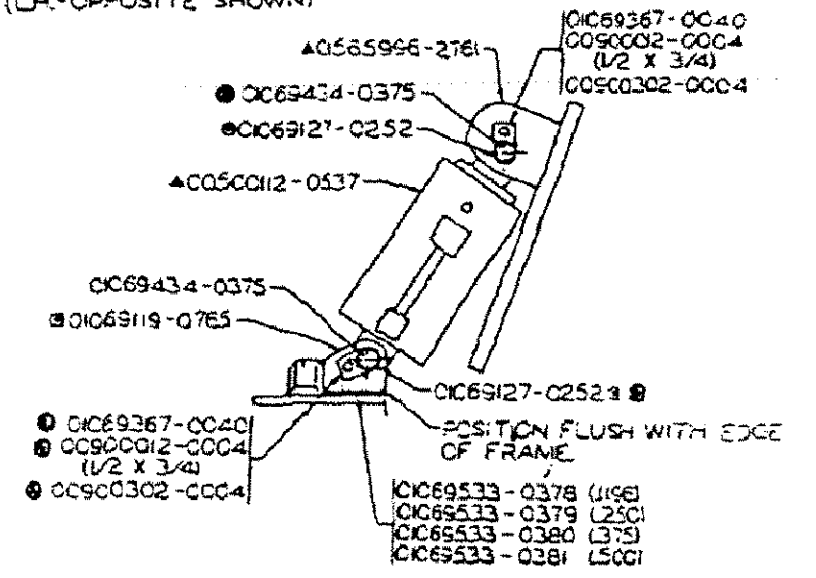
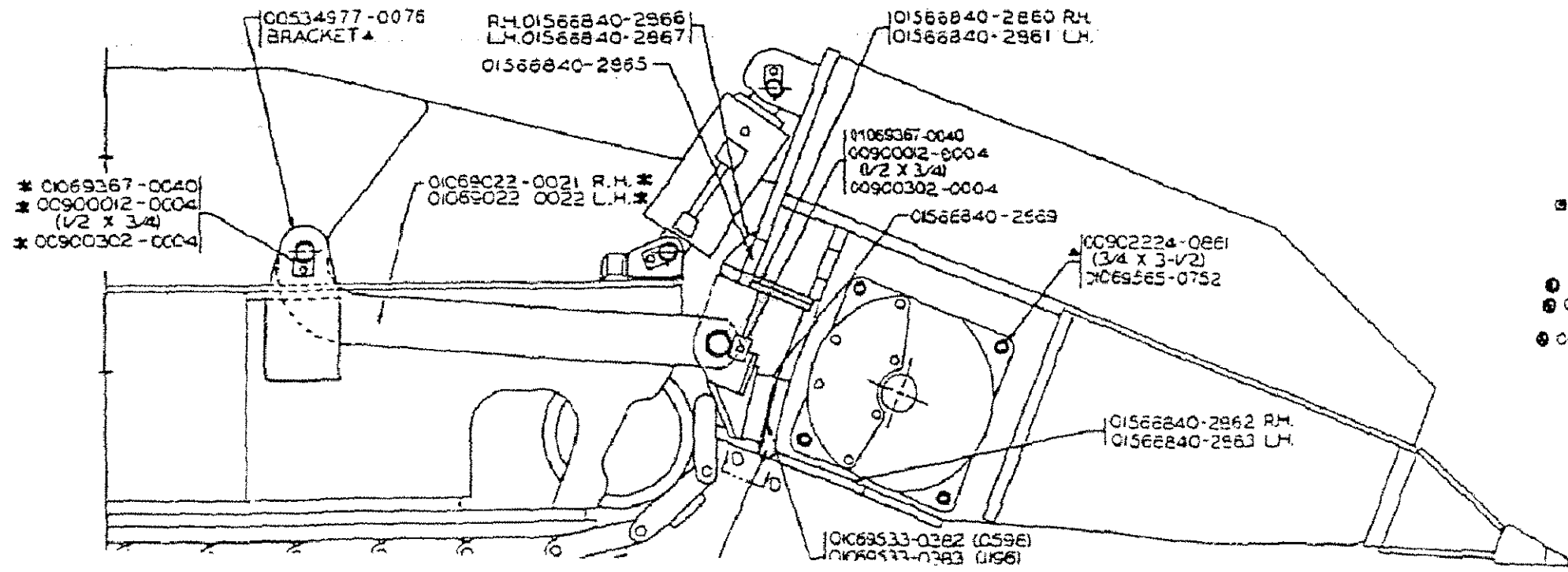
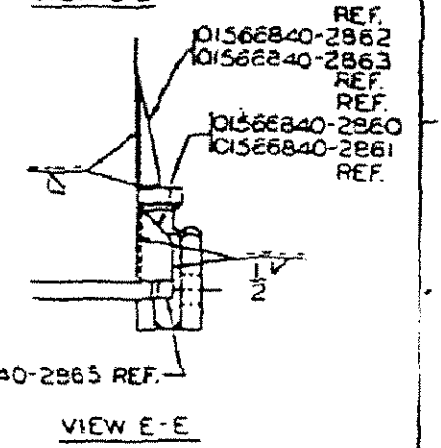
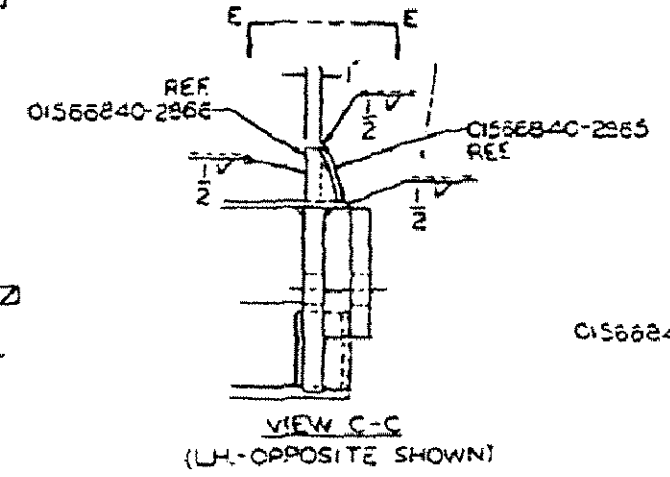
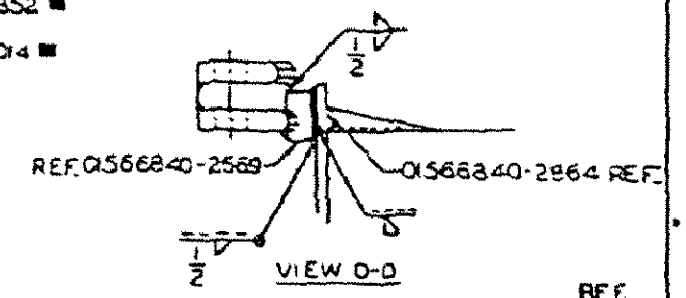
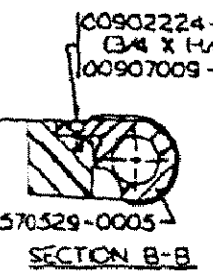
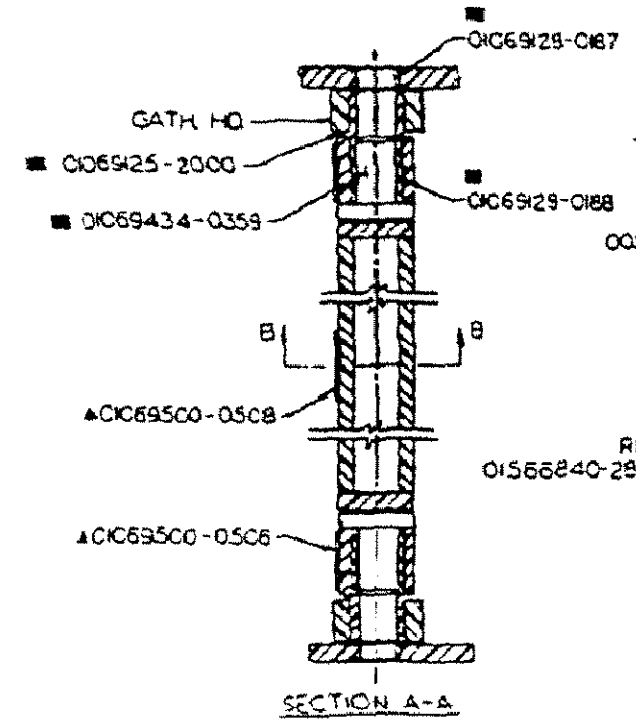
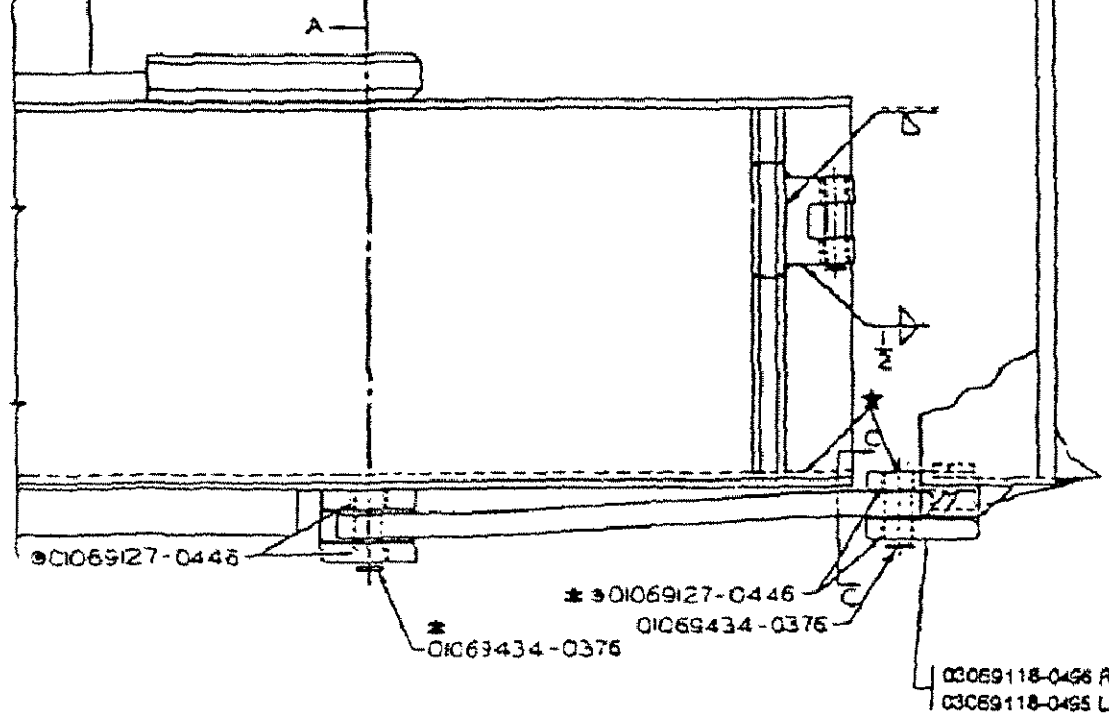
|                   |                      |
|-------------------|----------------------|
| INDIANAPOLIS, IN  | LA GRANGE, IN        |
| BUFFALO, NY       | STURGEON CITY, IN    |
| CHARLOTTE, NC     | NEW PHILADELPHIA, OH |
| CLARKSVILLE, TN   |                      |
| S. ELMO, SCOTLAND |                      |
| FRANKLIN, PA      |                      |

**HYDRAULIC CYLINDER**

REPLACED BY: \_\_\_\_\_  
 REPLACED BY: \_\_\_\_\_  
 REPLACED BY: \_\_\_\_\_

SCALE: \_\_\_\_\_ CLASSIFICATION: \_\_\_\_\_  
 00500112-0537

DATE: FDC0723 REVISIONS: FDC1473 FDC1893 FDC1916



- ▲ REFERENCE FOR FIELD REPAIR ONLY
- SET TORQUE ARMS WITH LEADING EDGE OF PAN 2 TO 3 INCHES ABOVE GROUND LINE
- POSITION WITH CYLINDER FULLY COLLAPSED AND GATHERING HEAD 6 TO 7" BELOW GROUND
- ⊙ TACK WELD
- ◆ MOUNT BRACKET SO IT DOES NOT LIE WITHIN E' INSIDE SURFACE OF TRACK FRAME.