

E/M Number	Description	Reference	Date	Sheet
00507313-2016	FRAME, GATHERING HEAD	FDC4943	11/27/1990	

---

Qty	UOM	Part Number	Description	Ref No
1	EA	00570425-0000	HANGER, CABLE	10
2	EA	01565996-1994	DETAIL	20
2	EA	01565996-1996	DETAIL	30
1	EA	03507313-0019	FRAME, HEAD, GATHERING	40

\*\*\*\*\* End of Bill of Material \*\*\*\*\*

B/M Number	Description	Reference	Date	Sheet
00703465-0104	ASSEMBLY, GATHERING HEAD	JCM00852-0105		01
		JCM00852-0105		02
		1034031	08/24/2001	

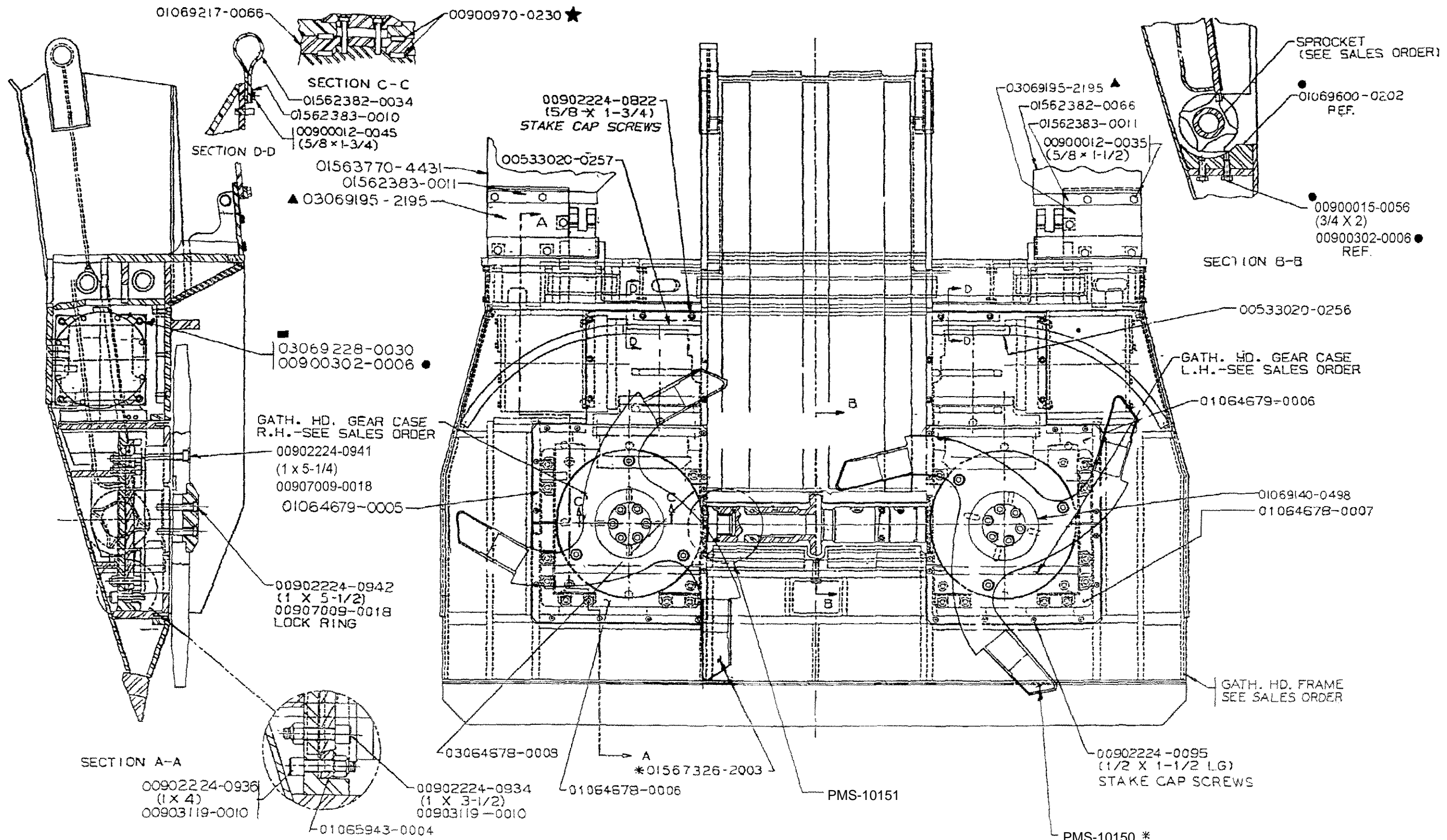
Qty	UOM	Part Number	Description	Ref No
1	EA	00533020-0256	COVER	1
1	EA	00533020-0257	COVER	2
2	EA	00900012-0024	SCREW, CAP, GR. 5, 1/2-13 X 1-1/4	3
2	EA	00900012-0035	SCREW, CAP, GR. 5, 5/8-11 X 1-1/2	4
8	EA	00900012-0045	SCREW, CAP, GR. 5, 5/8-11 X 1-3/4	5
8	EA	00900302-0006	WASHER, LOCK, 3/4	6
8	EA	00900970-0230	KEY, 3/4 X 3/4 X 2-3/8	7
30	EA	00902224-0095	SCREW, CAP, 1/2-13 X 1-1/2	8
14	EA	00902224-0822	SCREW, CAP, 5/8-11 X 1-3/4	9
8	EA	00902224-0934	SCREW, CAP, 1-8 X 3-1/2	10
16	EA	00902224-0936	SCREW, CAP, 1-8 X 4	11
6	EA	00902224-0941	SCREW, CAP, 1-8 X 5-1/4	12
12	EA	00902224-0942	SCREW, CAP, 1-8 X 5-1/2	13
24	EA	00903119-0010	NUT, LOCK, GR. C, 1-8	14
2	EA	00906512-0168	RING, RETAINING	15
18	EA	00907009-0018	WIRE, LOCKING, 1-1/2	16
2	EA	00910660-0220	O-RING	17
2	EA	00910660-0273	O-RING	18
1	EA	01064678-0006	COVER	19
1	EA	01064678-0007	COVER	20
1	EA	01064679-0005	COVER	21
1	EA	01064679-0006	COVER	22
8	EA	01065943-0004	WEDGE	23
2	EA	01069140-0498	CAP, BOLTED	24
2	EA	01069217-0066	DISC, HEAD, GATHERING	25
2	EA	01069452-0031	PLUG, SPECIAL	26
2	EA	01069528-0490	SHAFT, SPLINED	27
2	EA	01562382-0034	BELTING	28
1	EA	01562382-0066	BELTING	29
2	EA	01562383-0010	STRAP	30
2	EA	01562383-0011	STRAP	31
1	EA	01563770-4431	DETAIL	32
1	EA	01567326-2003	ARM (C.L.A.) (R.H.)	33
1	EA	01567326-2004	ARM (C.L.A.) (L.H.)	34
2	EA	03064678-0008	COVER, GATH. HD. POT	35
2	EA	03069195-2195	COVER	36
8	EA	03069228-0030	EXTENSION	37
2	EA	00925441-1219	SCREW, CAP, HEX HD, CL10.9, M12 X 1.75 X 30	38
4	EA	00910660-0347	O-RING	39
4	EA	00925447-1226	SCREW, CAP, CL. 12.9, M12 X 1.75 X 60	40
2	EA	01069566-0345	SPACER, SPECIAL	41
2	EA	00925441-1219	SCREW, CAP, HEX HD, CL10.9, M12 X 1.75 X 30	42

E/M Number	Description	Reference	Date	Sheet
00703465-0104	ASSEMBLY, GATHERING HEAD			

-----

Qty	UOM	Part Number	Description	Ref No
2	EA	01069528-2126	SHAFT, SPLINED	43
4	EA	01069160-2078	CLAMP	44

\*\*\*\*\* End of Bill of Material \*\*\*\*\*



▲ LOCATE AND WELD BOSSES  
 \* C L A'S MUST BE TIMED AS SHOWN  
 ★ LOCATE ONLY 2 KEYS PER SURFACE, 180° APART

BM 00703465-0104

■ PARTS INCLUDED IN P/N 00720508-0082 GATHERING HEAD MOTOR CHANGE-OUT KIT.

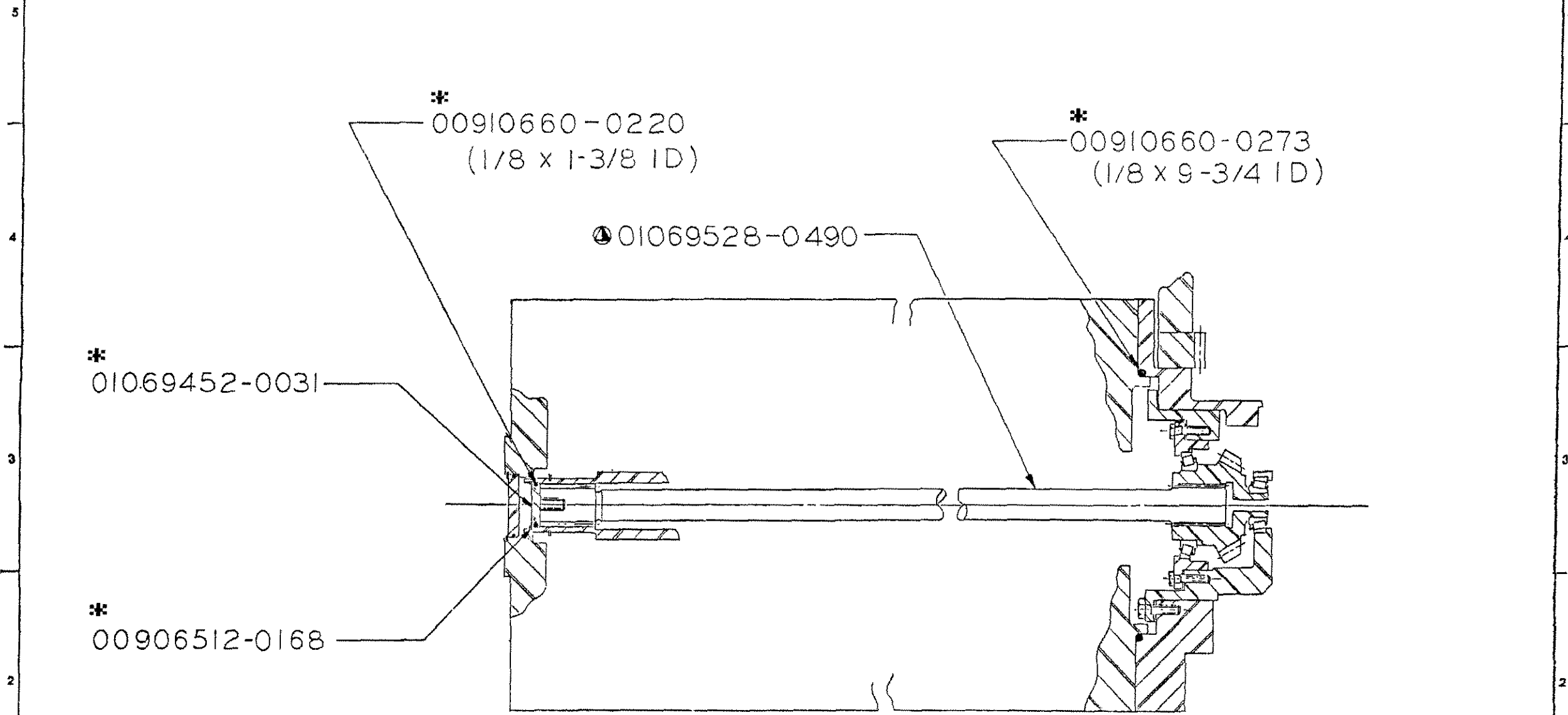
ALL WELDS MUST BE 70,000 MINIMUM TENSILE

LITHOPRINT THIS DRAWING

(K) FDF5137 (L) FDF7650 (3) 1034031  
 P FDE3989 (H) FDF0416 (1) FDF2515 (2) FDF3917  
 ONE OF TWO FDC 4755  
 (B) FDC7131 (C) FDC7752 (D) FDE0932 (E) FDE2229

JOY MANUFACTURING CO.  
 PLANT LOCATION AS INDICATED BELOW  
 BRIDGEVILLE, PA.    J.A. ORANGE, ME.  
 BUFFALO, NY    WICHITAN, CITY, KS.  
 CAMBROOK, ONT. CANADA    NEW PHILADELPHIA, OH.  
 CLAREMONT, NH.  
 EAST CLERMONT, SCOT.  
 FRANKLIN, PA.

ASSEMBLY, GATHERING HEAD  
 SIMILAR TO: \_\_\_\_\_  
 SUPERSEDED BY: \_\_\_\_\_  
 REPLACES: \_\_\_\_\_  
 VALUE OR INITIAL & DATE: \_\_\_\_\_  
 SCALE: \_\_\_\_\_  
 CLASS: 122-1112  
 JC M00852-0105  
 SH 1 OF 3 (13)



Ⓐ ALTERNATE SHAFT  
 \* 01069528-0513 TO BE USED  
 IN SEVERE CONDITIONS ONLY.

MOTOR SECTION

\* PARTS INCLUDED IN P/N 00720508-0082 GATHERING  
 HEAD MOTOR CHANGE-OUT KIT.

NOTE  
 BOTTOM DRAIN HOLE COVERS  
 MUST BE REMOVED PRIOR TO  
 MOTOR INSTALLATION.

BM 00703465-0104

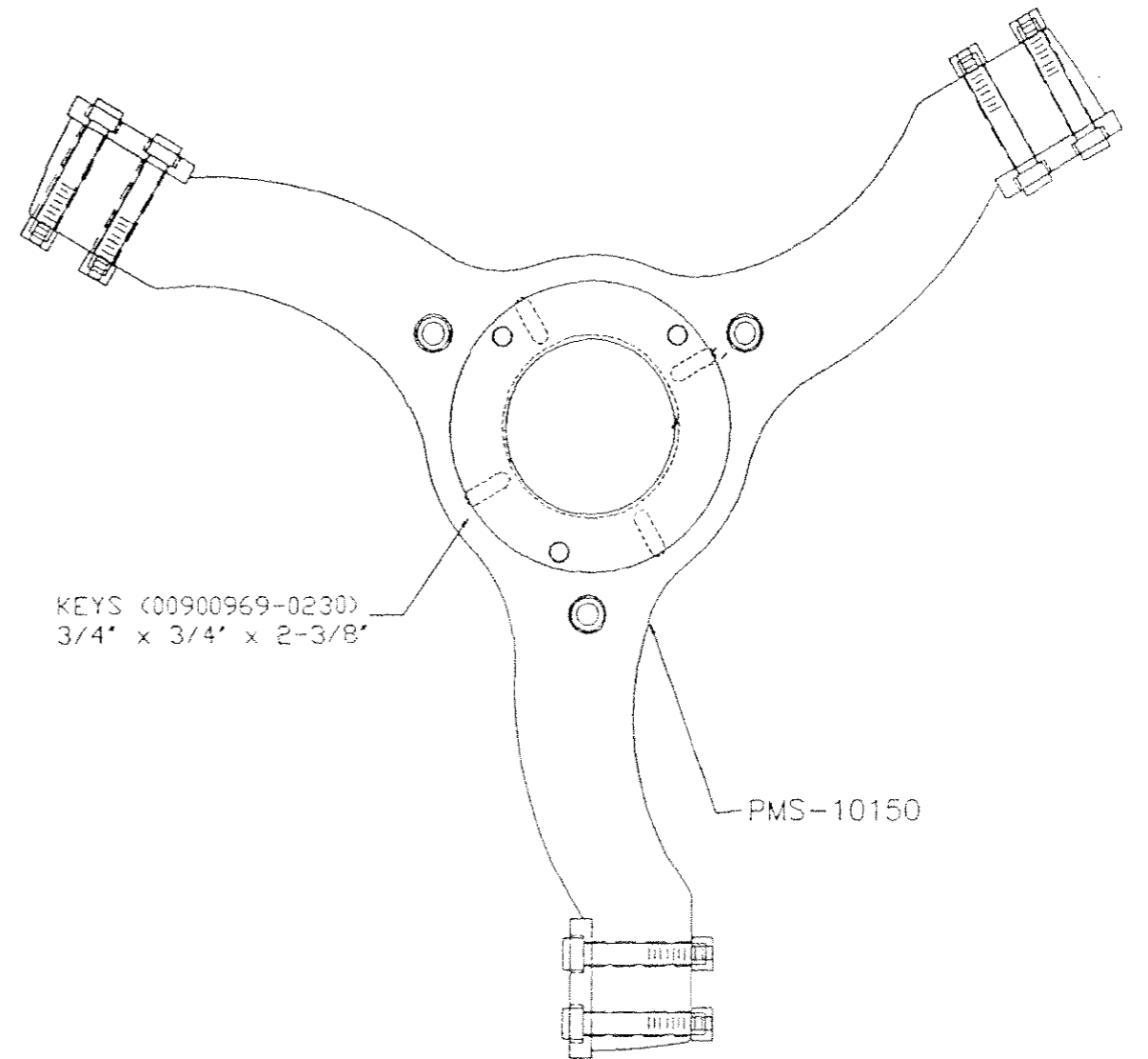
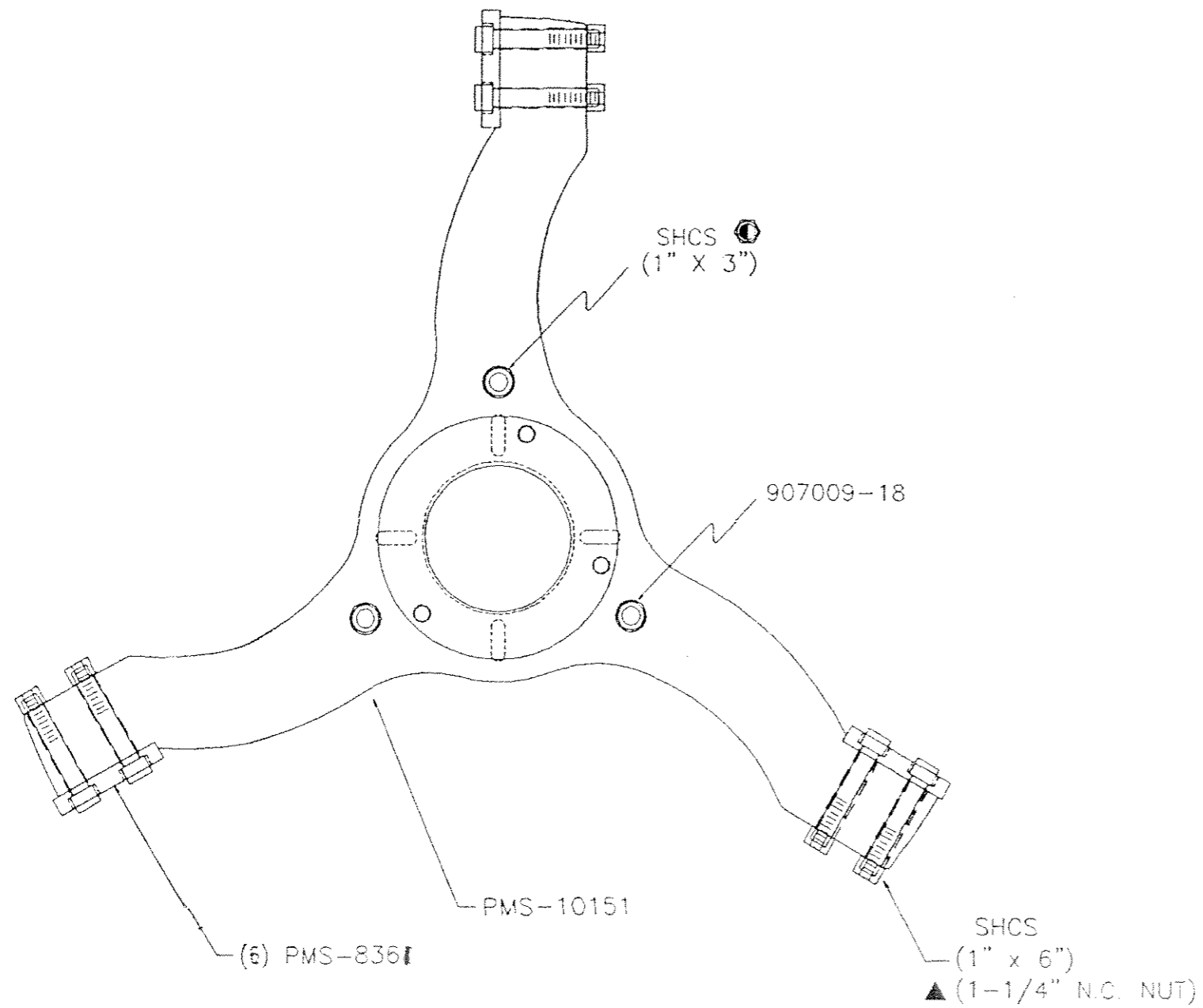
ENG ORDER <b>FDC4069</b>		REVISIONS Ⓐ FDC7423 Ⓑ FDC7745 Ⓒ FDP2545 Ⓓ 1034031		FINISH SYMBOLS		JOY TECHNOLOGIES INC. FRANKLIN, PENNSYLVANIA 15223		ASSEMBLY, GATHERING HEAD																																							
UNLESS OTHERWISE NOTED ALL DIMEN- SIONS IN INCHES. MACHINE DIMEN- SIONS LIMITED TO FRACTIONAL & 1/64 ANGULAR & 1/2° STRUCTURAL DIMEN- SIONS LIMITED TO 2 1/16 DO NOT SCALE THIS DRAWING		MATERIAL HEAT TREAT HARDNESS CARBURIZE (ECO)		PATTERN NO LITHO PRINT YES <input checked="" type="checkbox"/> NO <input type="checkbox"/>		<table border="1"> <thead> <tr> <th>SYMBOL</th> <th>MICRO INCHES</th> <th>DESCRIPTION</th> <th>SYMBOL</th> <th>MICRO INCHES</th> <th>DESCRIPTION</th> </tr> </thead> <tbody> <tr> <td>A</td> <td>4</td> <td>PRECISION POLISH</td> <td>F</td> <td>125</td> <td>COMMON MACHINE</td> </tr> <tr> <td>B</td> <td>8</td> <td>FINE POLISH</td> <td>G</td> <td>250</td> <td>ROUGH MACHINE</td> </tr> <tr> <td>C</td> <td>16</td> <td>COMMON POLISH</td> <td>H</td> <td>500</td> <td>HEAVY ROUGH</td> </tr> <tr> <td>D</td> <td>32</td> <td>GRIND OR EQUAL</td> <td>K</td> <td>1000</td> <td>EX HEAVY ROUGH</td> </tr> <tr> <td>E</td> <td>63</td> <td>SMOOTH MACHINE</td> <td></td> <td></td> <td></td> </tr> </tbody> </table>		SYMBOL	MICRO INCHES	DESCRIPTION	SYMBOL	MICRO INCHES	DESCRIPTION	A	4	PRECISION POLISH	F	125	COMMON MACHINE	B	8	FINE POLISH	G	250	ROUGH MACHINE	C	16	COMMON POLISH	H	500	HEAVY ROUGH	D	32	GRIND OR EQUAL	K	1000	EX HEAVY ROUGH	E	63	SMOOTH MACHINE				THIS DRAWING AND ALL INFORMATION THEREIN IS THE PROPERTY OF AND CONFIDENTIAL TO JOY TECHNOLOGIES INC. IT MUST NOT BE MADE PUBLIC OR COMED. IT IS LOANED SUBJECT TO RETURN UPON DEMAND IS NOT TO BE USED DIRECTLY OR INDIRECTLY IN ANY WAY DETRIMENTAL TO OUR INTEREST		SIMILAR TO JCM00852-0058 REPLACES _____ REPLACED BY _____ DR KEVERLINE DATE _____ CLASS _____ SCALE _____	
SYMBOL	MICRO INCHES	DESCRIPTION	SYMBOL	MICRO INCHES	DESCRIPTION																																										
A	4	PRECISION POLISH	F	125	COMMON MACHINE																																										
B	8	FINE POLISH	G	250	ROUGH MACHINE																																										
C	16	COMMON POLISH	H	500	HEAVY ROUGH																																										
D	32	GRIND OR EQUAL	K	1000	EX HEAVY ROUGH																																										
E	63	SMOOTH MACHINE																																													
						JCM00852-0105 SH. 2 OF 3																																									

B/M Number	Description	Reference	Date	Sheet
00720366-0008	SHOES, GATHERING HEAD	SK025461-0006 FDE4324	05/31/1994	01


---

Qty	UOM	Part Number	Description	Ref No
12	EA	00900042-0218	SCREW, CAP, GR. 8, 1-8 X 6	10
12	EA	00900322-0017	WASHER, 1	20
3	EA	01069540-2033	SHOE	30
3	EA	01069540-2034	SHOE	40

\*\*\*\*\* End of Bill of Material \*\*\*\*\*



● TORQUE TO 545 FT. LBS.  
 ▲ LOCATE AND WELD AT ASSEMBLY

	PMS-60" CLA	
	SOFT RAKE WITH ASTRO TIPS	
	DATE: 11MAR95	REVISION: 1
	DR. BY: vcs	REV. BY: xx
	CLAATIP/041000	REV DATE: xx

B/M Number	Description	Reference	Date	Sheet
03069850-0140	SPROCKET, FOOTSHAFT, GATHERING	1030937	06/27/2001	

-----

Qty	UOM	Part Number	Description	Ref No
1	EA	01069629-0087	TUBE, SPECIAL	10
1	EA	01069850-0112	SPROCKET	20

\*\*\*\*\* End of Bill of Material \*\*\*\*\*



B/M Number	Description	Reference	Date	Sheet
00572019-0041	CASE, GEAR, GATH. HEAD, L.H.	00572019-0041		01
		00572019-0041		02
		SK021855-0000		01
		1053915	08/23/2002	

Qty	UOM	Part Number	Description	Ref No
2	M	00809023-0000	WIRE, STEEL, .0625 DIA, SOFT STEEL	10
6	EA	00900012-0012	SCREW, CAP, GR. 5, 5/16-18 X 1	20
4	EA	00900043-0116	SCREW, CAP, GR. 8, 3/4-10 X 3-1/2	30
12	EA	00900050-0034	SCREW, CAP, GR. 5, 1/2-13 X 1-1/2	40
6	EA	00900050-0402	SCREW, CAP, GR. 5, 3/8-16 X 1-1/8	50
6	EA	00900302-0059	WASHER, LOCK, 5/16	60
17	EA	00900306-0057	WASHER, LOCK, 5/8	70
6	EA	00900907-0106	BEARING, ROLLER	80
3	EA	00900970-0001	KEY, 1/4 X 1/4 X 1	90
2	EA	00900970-1117	KEY, 1 X 1/2 X 2-3/8	100
2	EA	00901205-0109	PLUG, SQ. HD., MAG., 3/4 NPTF	110
1	EA	00901246-0414	SEAL, LIP	120
1	EA	00901924-0002	PLUG, HEX, SOC., 1/8 NPTF	130
1	EA	00901924-0004	PLUG, HEX SOC., 3/8 NPTF	140
3	EA	00901924-0007	PLUG HEX SOC 1" NPTF	150
1	EA	00902095-0350	RING, RETAINING	160
8	EA	00902190-0073	SCREW, CAP, GR. 8, 3/8-16 X 1-1/4	170
3	EA	00902224-0046	SCREW, CAP, 10-24 X 3/4	180
2	EA	00902224-0051	SCREW, CAP, 1/2-13 X 3/4	190
17	EA	00902224-0084	SCREW, CAP, 1/2-13 X 1-1/4	200
9	EA	00902224-0227	SCREW, CAP, 1/2-13 X 5-1/2	210
3	EA	00902224-0615	SCREW CAP SOC 1/2X4-1/4	220
14	EA	00902224-0823	SCREW, CAP, 5/8-11 X 2	230
3	EA	00902224-0826	SCREW, CAP, 5/8-11 X 2-3/4	240
8	EA	00902224-0853	SCREW, CAP, 3/4-10 X 1-1/2	250
1	EA	00904584-0024	PIN, DOWEL, 1/4 X 7/8	260
2	EA	00904685-0044	PIN, SPRING, .187 X .750	270
1	EA	00905361-0800	RING, RETAINING	280
3	EA	00906512-0243	RING, RETAINING	290
23	EA	00907009-0008	WIRE, LOCKING, 11/16	300
8	EA	00907009-0014	WIRE, LOCKING, 1-1/16	310
1	EA	00907864-0236	O-RING	320
1	EA	00907864-0261	O-RING	330
1	EA	00907864-0265	O-RING	340
2	EA	00907864-0275	O-RING	350
1	EA	00907864-0363	O-RING	360
1	EA	00907864-0390	O-RING	370
1	EA	00907864-0391	O-RING	380
1	EA	00910660-0145	O-RING	390
1	EA	00913121-0067	SEAL, DUO-CONE, FLOATING	400
1	EA	00913128-0012	SEAL, DUO-CONE, FLOATING	410

B/M Number	Description	Reference	Date	Sheet
00572019-0041	CASE, GEAR, GATH. HEAD, L.H.			

Qty	UOM	Part Number	Description	Ref No
1	EA	00950028-0004	BEARING, CONE, TAPERED	420
2	EA	00950030-0002	BEARING, CONE, TAPERED	430
1	EA	00950042-0001	BEARING, CONE, TAPERED	440
1	EA	00950063-0001	BEARING, CONE, TAPERED	450
1	EA	00950064-0003	BEARING, CONE, TAPERED	460
1	EA	00950116-0001	BEARING, CONE, TAPERED	470
1	EA	00950119-0002	BEARING, CONE, TAPERED	480
1	EA	00950138-0003	BEARING, CONE, TAPERED	490
1	EA	00950169-0001	BEARING, CONE, TAPERED	500
1	EA	00950261-0001	BEARING, CONE, TAPERED	510
1	EA	00950262-0001	BEARING, CONE, TAPERED	520
1	EA	00960028-0001	BEARING, CUP, TAPERED	530
2	EA	00960030-0001	BEARING, CUP, TAPERED	540
1	EA	00960042-0001	BEARING, CUP, TAPERED	550
1	EA	00960063-0001	BEARING, CUP, TAPERED	560
1	EA	00960064-0001	BEARING, CUP, TAPERED	570
1	EA	00960116-0001	BEARING, CUP, TAPERED	580
1	EA	00960119-0001	BEARING, CUP, TAPERED	590
1	EA	00960138-0001	BEARING, CUP, TAPERED	600
1	EA	00960169-0001	BEARING, CUP, TAPERED	610
1	EA	00960261-0001	BEARING, CUP, TAPERED	620
1	EA	00960262-0001	BEARING, CUP, TAPERED	630
1	EA	01069140-0485	CAP, BOLTED	640
1	EA	01069140-2014	CAP, BOLTED	650
1	EA	01069145-0565	CARRIER, BEARING	660
1	EA	01069145-0582	CARRIER, BEARING	670
1	EA	01069145-0584	CARRIER, SEAL	680
1	EA	01069145-0588	CARRIER, BEARING	690
1	EA	01069145-2012	CARRIER	700
1	EA	01069145-2020	CARRIER, SEAL	710
1	EA	01069145-2023	CARRIER, BEARING	720
1	EA	01069145-2024	CARRIER, BEARING	730
1	EA	01069145-2025	CARRIER, BEARING,	740
1	EA	01069217-0068	DISC, HEAD, GATHERING	750
1	EA	01069273-2005	GEAR, INTERNAL	760
1	EA	01069333-0002	HOUSING	770
1	EA	01069333-0003	HOUSING	780
1	EA	01069333-0004	HOUSING	790
1	EA	01069468-0008	RETAINER	800
1	EA	01069469-0016	RETAINING RING	810
3	EA	01069527-0253	SHAFT, SHOULDERED	820
3	EA	01069531-0689	SHIM, ROUND	830
3	EA	01069531-0690	SHIM, ROUND	840
3	EA	01069531-0691	SHIM, ROUND	850

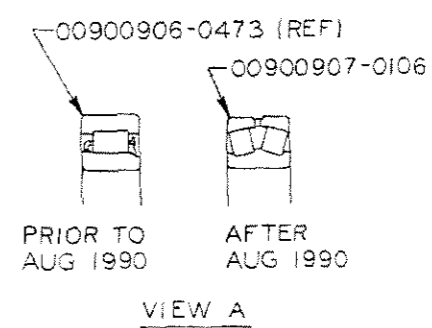
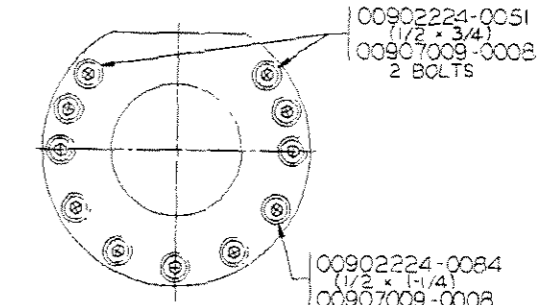
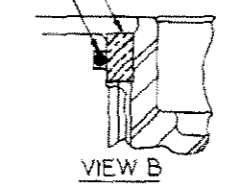
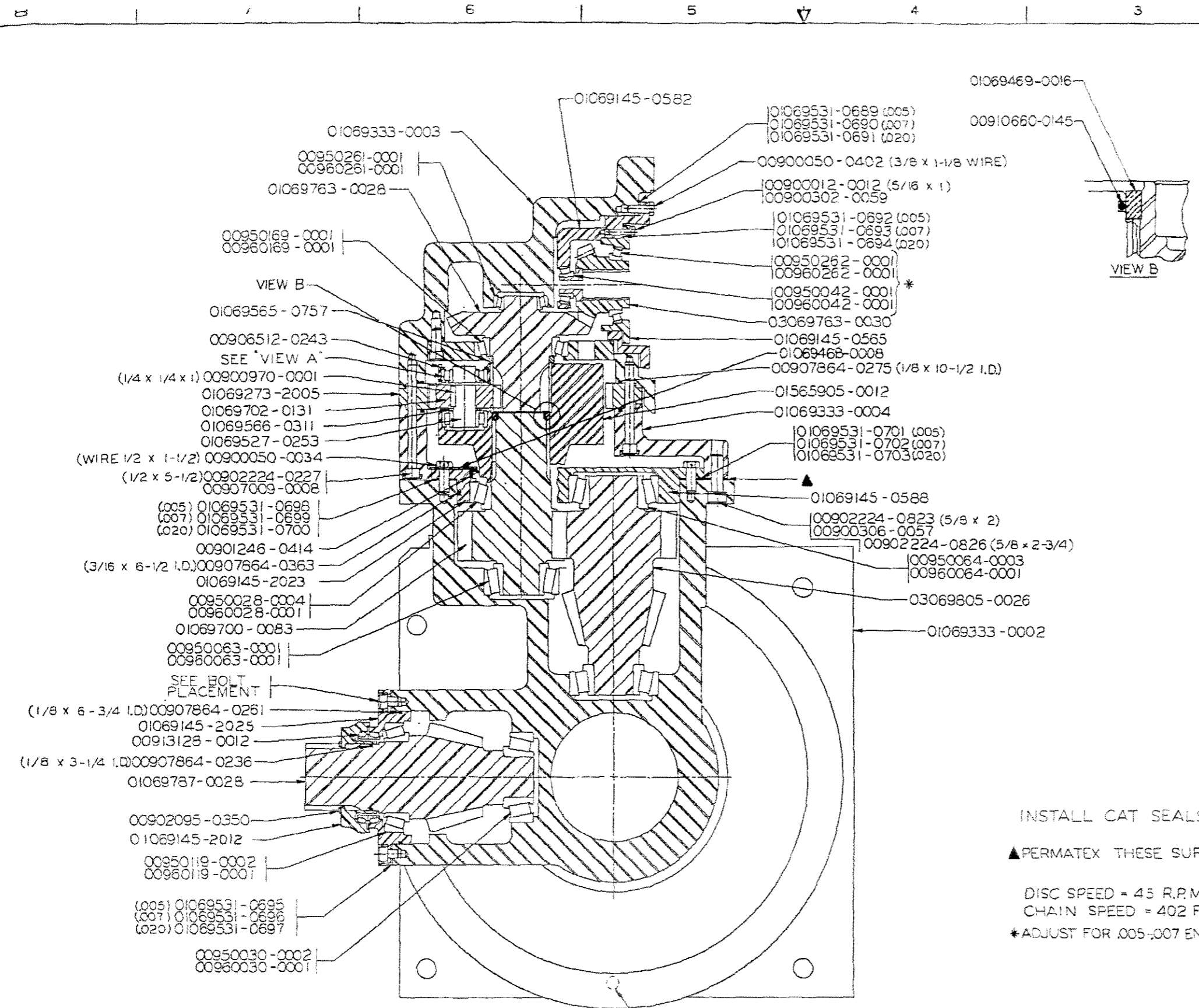
B/M Number	Description	Reference	Date	Sheet
00572019-0041	CASE, GEAR, GATH. HEAD, L.H.			

---

Qty	UOM	Part Number	Description	Ref No
3	EA	01069531-0692	SHIM, ROUND	860
3	EA	01069531-0693	SHIM, ROUND	870
3	EA	01069531-0694	SHIM, ROUND	880
3	EA	01069531-0695	SHIM, ROUND	890
3	EA	01069531-0696	SHIM, ROUND	900
3	EA	01069531-0697	SHIM, ROUND	910
3	EA	01069531-0698	SHIM, ROUND	920
3	EA	01069531-0699	SHIM, ROUND	930
3	EA	01069531-0700	SHIM, ROUND	940
3	EA	01069531-0701	SHIM, ROUND	950
3	EA	01069531-0702	SHIM, ROUND	960
3	EA	01069531-0703	SHIM, ROUND	970
5	EA	01069531-0707	SHIM, ROUND	980
3	EA	01069531-0708	SHIM, ROUND	990
2	EA	01069531-0709	SHIM, ROUND	1000
3	EA	01069531-0713	SHIM, ROUND	1010
3	EA	01069531-0714	SHIM, ROUND	1020
3	EA	01069531-0715	SHIM, ROUND	1030
3	EA	01069531-0716	SHIM, ROUND	1040
3	EA	01069531-0717	SHIM, ROUND	1050
3	EA	01069531-0718	SHIM, ROUND	1060
1	EA	01069565-0757	SPACER, PLAIN	1070
3	EA	01069566-0311	SPACER, SPECIAL	1080
1	EA	01069700-0083	GEAR, SPUR, 2.5DP	1090
3	EA	01069702-0131	GEAR, SPUR, 5DP	1100
1	EA	01069763-0028	GEAR, BEVEL, STRAIGHT, 4DP	1110
1	EA	01069787-0028	GEAR, BEVEL, STRAIGHT	1120
1	EA	01069787-0042	GEAR, BEVEL, STRAIGHT, SPECIAL	1130
1	EA	01565905-0012	CAGE, PLANETARY	1140
1	EA	03069763-0030	GEAR, BEVEL ASSEMBLY	1150
1	EA	03069805-0026	Gear, Cluster	1160

\*\*\*\*\* End of Bill of Material \*\*\*\*\*

REV. NO.		REVISIONS		
ZONE	REV.	DESCRIPTION	DATE	APPROVED
	A	FDA 0523	6-88	
	B	FDA 0585	8-88	
	C	FDC 0463	12-88	
	D	FDC 0908	3-89	
	E	FDC 3065	5-90	
	F	FDC 4897	12-90	
	G	FDC 5481	2-91	
	H	FDE 0491	2-93	
	I	FDE 2385	10-93	
	J	FDE 3488	1-94	
	K	FDE 6242	1-95	
	L	FDF 0454	5-96	



INSTALL CAT SEALS PER SK021855-0000

▲ PERMATEX THESE SURFACES

DISC SPEED = 45 R.P.M.  
CHAIN SPEED = 402 FT./MIN.

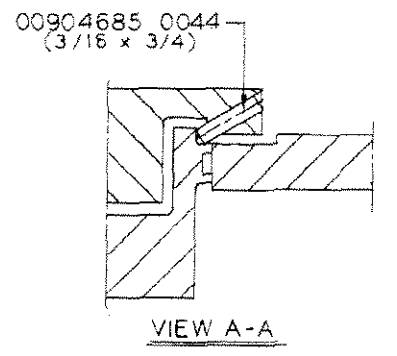
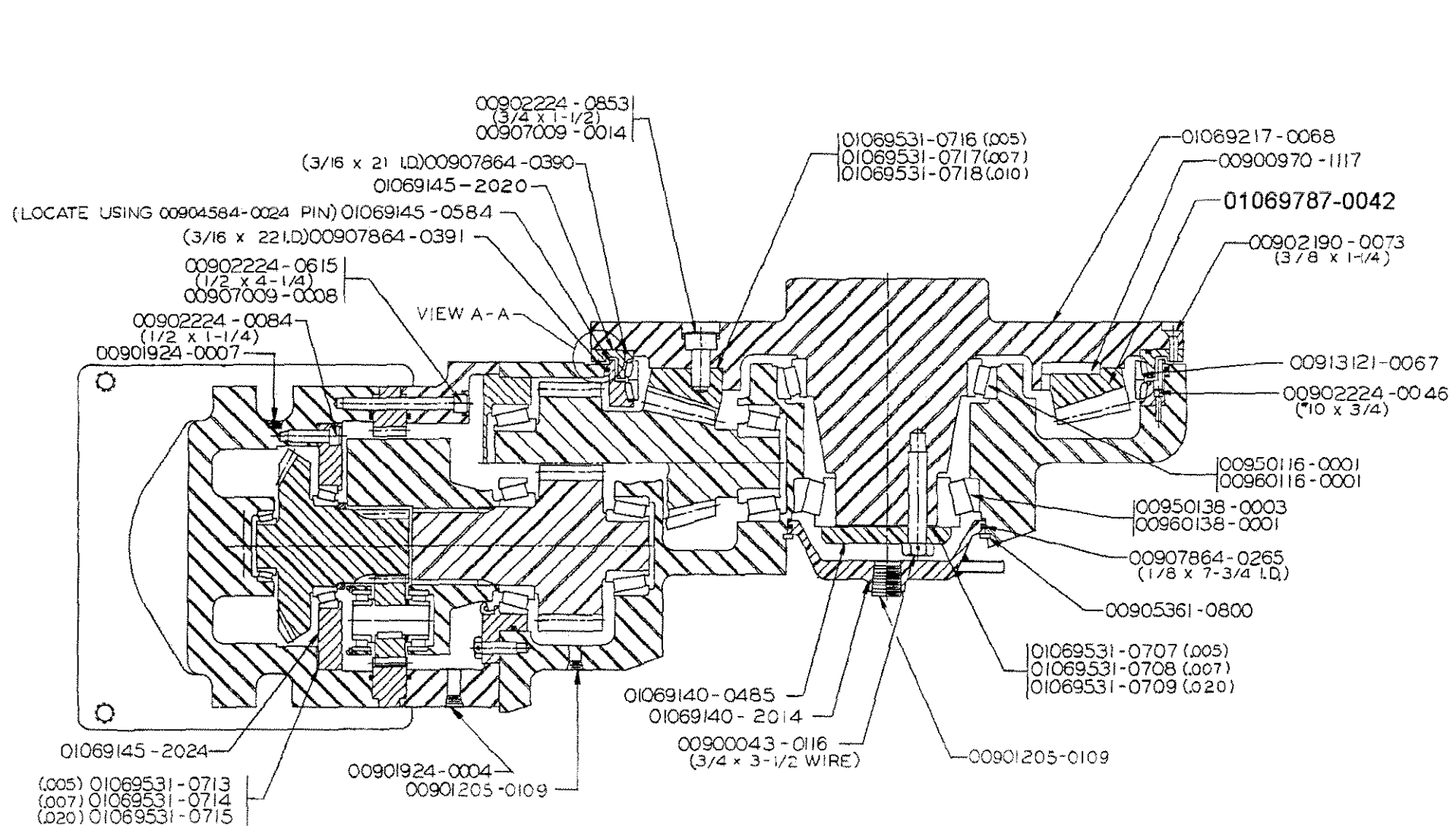
\* ADJUST FOR .005-.007 ENDPLAY.

UNLESS OTHERWISE NOTED: ALL DIMENSIONS IN INCHES; MACHINING DIMENSIONS LIMITED TO FRACTIONAL 31/64; ANGULAR ±1/2°; STRUCTURAL DIMENSIONS LIMITED TO ±1/16. DO NOT SCALE THIS DRAWING.

THIS DRAWING AND ALL INFORMATION THEREIN IS THE PROPERTY OF AND CONFIDENTIAL TO JOY TECHNOLOGIES INCORPORATED. IT MUST NOT BE MADE PUBLIC OR COPIED. IT IS LOANED SUBJECT TO RETURN UPON DEMAND. IT IS NOT TO BE USED DIRECTLY OR INDIRECTLY IN ANY WAY DETRIMENTAL TO THE INTERESTS OF JOY TECHNOLOGIES INCORPORATED.

MATERIAL		PATTERN NO.	
HEAT TREAT		CARBURIZE (ECO)	
HARDNESS		SIMILAR TO	
YES LITHOPRINT	CLASS MINERS	JOY TECHNOLOGIES INC.	
DRAFTER	DATE	FRANKLIN, PENNA. 15323	
JOHNSON	6 88	GATHERING HEAD GEAR CASE (L.H.)	
CHECKER	DATE		
ENGINEER	DATE	SIZE	REV
APPROVAL	DATE	0175003	00572019-004 L
SCALE		SHEET OF 2	

REV. NO.		REV. NO.	
00572019-0041		2	
ZONE	REV.	DESCRIPTION	DATE
	A	FDA0523	6-88
	B	FDA0585	8-88
	C	FDC0463	12-88
	D	FDC1514	7-89
	E	FDC4897	11-90
	F	FDE0491	2-93
	G	FDE7211	3-95
	H	FDE7768	5-95
	I	FDE9881	3-96
	J	FDF6813	3-10-98



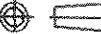
MATERIAL		PATTERN NO.	
HEAT TREAT		JOY TECHNOLOGIES INC.	
CARBURIZE (ECO)		FRANKLIN, PENNA. 18323	
HARDNESS		GATHERING HEAD	
YES LITHOPRINT		GEAR CASE (L.H.)	
DRAFTER	DATE	SIZE	PSCH. NO.
JOHNSON	6-88	D	75003
CHECKER:	DATE	DWG. NO.	00572019-0041
ENGINEER:	DATE	SCALE	WGT.
APPROVAL:	DATE	SHEET 2	

UNLESS OTHERWISE NOTED, ALL DIMENSIONS IN INCHES; MACHINING DIMENSIONS LIMITED TO FRACTIONAL ±1/64", ANGULAR ±1/2°; STRUCTURAL DIMENSIONS LIMITED TO ±1/16". DO NOT SCALE THIS DRAWING.

\*THIS DRAWING AND ALL INFORMATION THEREIN IS THE PROPERTY OF AND CONFIDENTIAL TO JOY TECHNOLOGIES INCORPORATED. IT MUST NOT BE MADE PUBLIC OR COPIED. IT IS LOANED SUBJECT TO RETURN UPON DEMAND. IT IS NOT TO BE USED DIRECTLY OR INDIRECTLY IN ANY WAY DETRIMENTAL TO THE INTERESTS OF JOY TECHNOLOGIES INCORPORATED.

**PROCEDURE:**

1. CLEAN SEALS AND RING SETS WITH CLEANING SOLVENT
2. WIPE SEAL FACES CLEAN AND COAT WITH LIGHT OIL. THERE MUST BE NO OIL ON TORIC RING OR RING SEAT.
3. USE PROPER INSTALLER TOOL, WET RING IN SOLVENT, AND PRESS INTO SEAT MAKING SURE IT IS NOT TWISTED.
4. ALWAYS ASSEMBLE SEALS IN MATCHED PAIRS. NEVER ASSEMBLE ONE NEW SEAL AND ONE USED SEAL TOGETHER, OR TWO SEALS THAT HAVE NOT PREVIOUSLY RUN TOGETHER.

© JOY MINING MACHINERY 1998 ALL RIGHTS RESERVED.  THIS DRAWING IS THE PROPERTY OF JOY MINING MACHINERY AND IS CONFIDENTIAL. IT IS ISSUED SUBJECT TO THE CONDITIONS THAT: (1) THE INFORMATION OR ANY PART THEREOF CONTAINED IN IT SHALL NOT BE DISCLOSED IN ANY FORM TO A THIRD PARTY. (2) IT OR ANY PART OF IT SHALL NOT BE REPRODUCED IN ANY FORM.	GENERAL NOTES		FINISH SYMBOLS		TOLERANCES UNLESS OTHERWISE STATED		MANUFACTURING SPECIFICATIONS		MATERIAL SEE TABLE		VERSION 05	A3 DESIGN LOCATION Franklin, PA USA 05
	1. WELDING SYMBOLS STANDARD TO ISO 2553 METHOD A. 2. REMOVE ALL BURRS & SHARP EDGES. 3. ALL DIMENSIONS IN MILLIMETERS UNLESS OTHERWISE STATED. 4. THIRD ANGLE PROJECTION 		SYM MICRO IN N3 0.1 R8 3.2 N4 0.2 R9 6.3 N5 0.4 N10 12.5 N6 0.8 N11 25 N7 1.6	MACHINING ±0.3 ANGULAR ±1/2° FABRICATION & STRUCTURAL UP TO 300 ±1 301 UP TO 1000 ±2 1001 UP TO 2000 ±3 OVER 2000 ±4	PROTECT TREATMENT FABRICATION TOOLS MACHINING TOOLS FINISH SPEC MANUFACTURING SPEC WELDING SPEC HEAT TREATMENT HARDNESS	MATERIAL CODE WEIGHT UNITS ESTIMATED WEIGHT PLATE INDICATOR DRW USE X REPLACED BY SIMILAR TO	CHANGE NO. 1063915 DRAWN BY R.J. CAD SYSTEM MANUAL DATE 12-30-68 SCALE SHEET 1 of 1 MACHINE MODEL					
	DESCRIPTION											
	SEAL INSTALLATION INSTRUCTIONS											
DWG. NO. SK021855-0000												

B/M Number	Description	Reference	Date	Sheet
00572019-0040	CASE, GEAR, GATH. HEAD, R.H.	00572019-0040		01
		00572019-0040		02
		SK021855-0000		01
		1053915	08/23/2002	

---

Qty	UOM	Part Number	Description	Ref No
2	M	00809023-0000	WIRE, STEEL, .0625 DIA, SOFT STEEL	10
6	EA	00900012-0012	SCREW, CAP, GR. 5, 5/16-18 X 1	20
4	EA	00900043-0116	SCREW, CAP, GR. 8, 3/4-10 X 3-1/2	30
12	EA	00900050-0034	SCREW, CAP, GR. 5, 1/2-13 X 1-1/2	40
6	EA	00900050-0402	SCREW, CAP, GR. 5, 3/8-16 X 1-1/8	50
6	EA	00900302-0059	WASHER, LOCK, 5/16	60
17	EA	00900306-0057	WASHER, LOCK, 5/8	70
6	EA	00900907-0106	BEARING, ROLLER	80
3	EA	00900970-0001	KEY, 1/4 X 1/4 X 1	90
2	EA	00900970-1117	KEY, 1 X 1/2 X 2-3/8	100
2	EA	00901205-0109	PLUG, SQ. HD., MAG., 3/4 NPTF	110
1	EA	00901246-0414	SEAL, LIP	120
1	EA	00901924-0002	PLUG, HEX, SOC., 1/8 NPTF	130
1	EA	00901924-0004	PLUG, HEX SOC., 3/8 NPTF	140
3	EA	00901924-0007	PLUG HEX SOC 1" NPTF	150
1	EA	00902095-0350	RING, RETAINING	160
8	EA	00902190-0073	SCREW, CAP, GR. 8, 3/8-16 X 1-1/4	170
3	EA	00902224-0046	SCREW, CAP, 10-24 X 3/4	180
2	EA	00902224-0051	SCREW, CAP, 1/2-13 X 3/4	190
17	EA	00902224-0084	SCREW, CAP, 1/2-13 X 1-1/4	200
9	EA	00902224-0227	SCREW, CAP, 1/2-13 X 5-1/2	210
3	EA	00902224-0615	SCREW CAP SOC 1/2X4-1/4	220
14	EA	00902224-0823	SCREW, CAP, 5/8-11 X 2	230
3	EA	00902224-0826	SCREW, CAP, 5/8-11 X 2-3/4	240
8	EA	00902224-0853	SCREW, CAP, 3/4-10 X 1-1/2	250
1	EA	00904584-0024	PIN, DOWEL, 1/4 X 7/8	260
2	EA	00904685-0044	PIN, SPRING, .187 X .750	270
1	EA	00905361-0800	RING, RETAINING	280
3	EA	00906512-0243	RING, RETAINING	290
23	EA	00907009-0008	WIRE, LOCKING, 11/16	300
8	EA	00907009-0014	WIRE, LOCKING, 1-1/16	310
1	EA	00907864-0236	O-RING	320
1	EA	00907864-0261	O-RING	330
1	EA	00907864-0265	O-RING	340
2	EA	00907864-0275	O-RING	350
1	EA	00907864-0363	O-RING	360
1	EA	00907864-0390	O-RING	370
1	EA	00907864-0391	O-RING	380
1	EA	00910660-0145	O-RING	390
1	EA	00913121-0067	SEAL, DUO-CONE, FLOATING	400
1	EA	00913128-0012	SEAL, DUO-CONE, FLOATING	410

B/M Number	Description	Reference	Date	Sheet
00572019-0040	CASE, GEAR, GATH. HEAD, R.H.			

Qty	UOM	Part Number	Description	Ref No
1	EA	00950028-0004	BEARING, CONE, TAPERED	420
2	EA	00950030-0002	BEARING, CONE, TAPERED	430
1	EA	00950042-0001	BEARING, CONE, TAPERED	440
1	EA	00950063-0001	BEARING, CONE, TAPERED	450
1	EA	00950064-0003	BEARING, CONE, TAPERED	460
1	EA	00950116-0001	BEARING, CONE, TAPERED	470
1	EA	00950119-0002	BEARING, CONE, TAPERED	480
1	EA	00950138-0003	BEARING, CONE, TAPERED	490
1	EA	00950169-0001	BEARING, CONE, TAPERED	500
1	EA	00950261-0001	BEARING, CONE, TAPERED	510
1	EA	00950262-0001	BEARING, CONE, TAPERED	520
1	EA	00960028-0001	BEARING, CUP, TAPERED	530
2	EA	00960030-0001	BEARING, CUP, TAPERED	540
1	EA	00960042-0001	BEARING, CUP, TAPERED	550
1	EA	00960063-0001	BEARING, CUP, TAPERED	560
1	EA	00960064-0001	BEARING, CUP, TAPERED	570
1	EA	00960116-0001	BEARING, CUP, TAPERED	580
1	EA	00960119-0001	BEARING, CUP, TAPERED	590
1	EA	00960138-0001	BEARING, CUP, TAPERED	600
1	EA	00960169-0001	BEARING, CUP, TAPERED	610
1	EA	00960261-0001	BEARING, CUP, TAPERED	620
1	EA	00960262-0001	BEARING, CUP, TAPERED	630
1	EA	01069140-0485	CAP, BOLTED	640
1	EA	01069140-2014	CAP, BOLTED	650
1	EA	01069145-0565	CARRIER, BEARING	660
1	EA	01069145-0582	CARRIER, BEARING	670
1	EA	01069145-0584	CARRIER, SEAL	680
1	EA	01069145-2012	CARRIER	690
1	EA	01069145-2020	CARRIER, SEAL	700
1	EA	01069145-2022	CARRIER, BEARING	710
1	EA	01069145-2023	CARRIER, BEARING	720
1	EA	01069145-2024	CARRIER, BEARING	730
1	EA	01069145-2025	CARRIER, BEARING,	740
1	EA	01069217-0068	DISC, HEAD, GATHERING	750
1	EA	01069273-2005	GEAR, INTERNAL	760
1	EA	01069333-0001	HOUSING	770
1	EA	01069333-0003	HOUSING	780
1	EA	01069333-0005	HOUSING	790
1	EA	01069468-0008	RETAINER	800
1	EA	01069469-0016	RETAINING RING	810
3	EA	01069527-0253	SHAFT, SHOULDERED	820
3	EA	01069531-0689	SHIM, ROUND	830
3	EA	01069531-0690	SHIM, ROUND	840
3	EA	01069531-0691	SHIM, ROUND	850

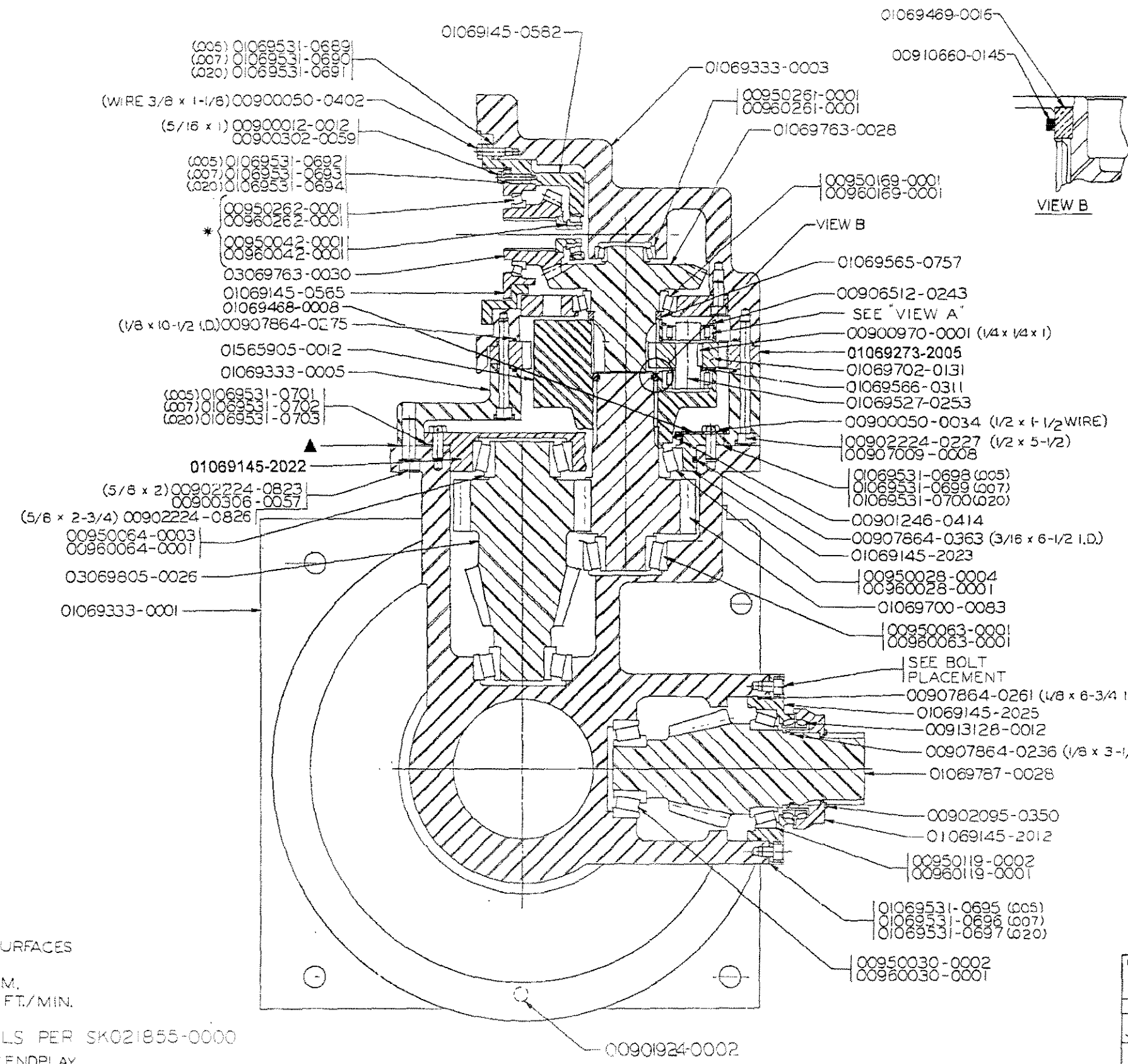


B/M Number	Description	Reference	Date	Sheet
00572019-0040	CASE, GEAR, GATH. HEAD, R.H.			

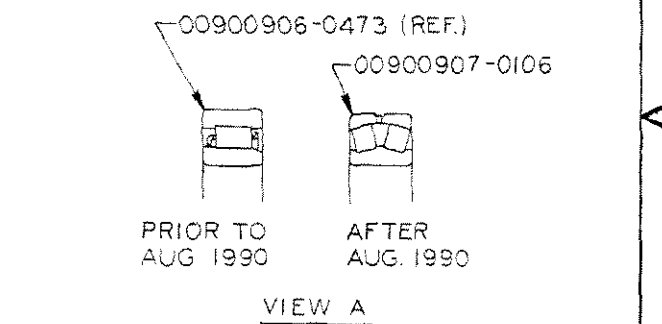
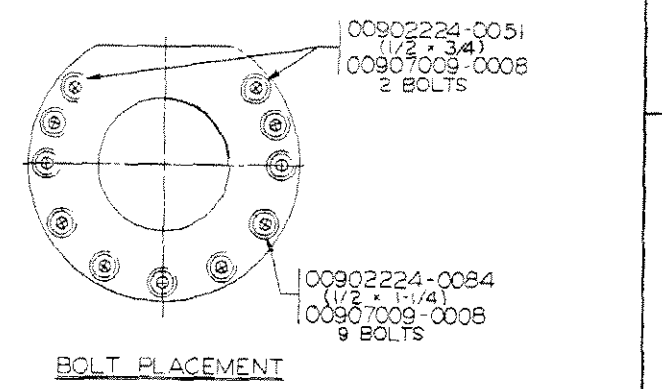
Qty	UOM	Part Number	Description	Ref No
3	EA	01069531-0692	SHIM, ROUND	860
3	EA	01069531-0693	SHIM, ROUND	870
3	EA	01069531-0694	SHIM, ROUND	880
3	EA	01069531-0695	SHIM, ROUND	890
3	EA	01069531-0696	SHIM, ROUND	900
3	EA	01069531-0697	SHIM, ROUND	910
3	EA	01069531-0698	SHIM, ROUND	920
3	EA	01069531-0699	SHIM, ROUND	930
3	EA	01069531-0700	SHIM, ROUND	940
3	EA	01069531-0701	SHIM, ROUND	950
3	EA	01069531-0702	SHIM, ROUND	960
3	EA	01069531-0703	SHIM, ROUND	970
5	EA	01069531-0707	SHIM, ROUND	980
3	EA	01069531-0708	SHIM, ROUND	990
2	EA	01069531-0709	SHIM, ROUND	1000
3	EA	01069531-0713	SHIM, ROUND	1010
3	EA	01069531-0714	SHIM, ROUND	1020
3	EA	01069531-0715	SHIM, ROUND	1030
3	EA	01069531-0716	SHIM, ROUND	1040
3	EA	01069531-0717	SHIM, ROUND	1050
3	EA	01069531-0718	SHIM, ROUND	1060
1	EA	01069565-0757	SPACER, PLAIN	1070
3	EA	01069566-0311	SPACER, SPECIAL	1080
1	EA	01069700-0083	GEAR, SPUR, 2.SDP	1090
3	EA	01069702-0131	GEAR, SPUR, SDP	1100
1	EA	01069763-0028	GEAR, BEVEL, STRAIGHT, 4DP	1110
1	EA	01069787-0028	GEAR, BEVEL, STRAIGHT	1120
1	EA	01069787-0042	GEAR, BEVEL, STRAIGHT, SPECIAL	1130
1	EA	01565905-0012	CAGE, PLANETARY	1140
1	EA	03069763-0030	GEAR, BEVEL ASSEMBLY	1150
1	EA	03069805-0026	Gear, Cluster	1160

\*\*\*\*\* End of Bill of Material \*\*\*\*\*

REVISIONS				
ZONE	REV	DESCRIPTION	DATE	APPROVED
A		FDA 0523	6-88	
B		FDA 0585	8-88	
C		FDC 0463	12-88	
D		FDC 0908	3-89	
E		FDC 3065	5-90	
F		FDC 4897	12-90	
G		FDC 5481	2-91	
H		FDE 0491	2-93	
I		FDE 2385	10-93	
J		FDE 3488	1-94	
K		FDE 6242	12-94	
L		FDFO454	5-96	



▲ PERMATEx THESE SURFACES  
 DISC SPEED = 45 R.P.M.  
 CHAIN SPEED = 402 FT./MIN.  
 INSTALL CAT SEALS PER SK021855-0000  
 \* ADJUST FOR .005-.007 ENDPLAY.

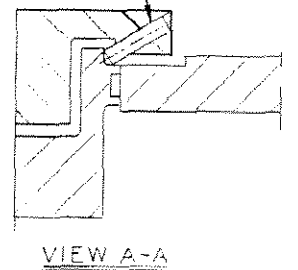
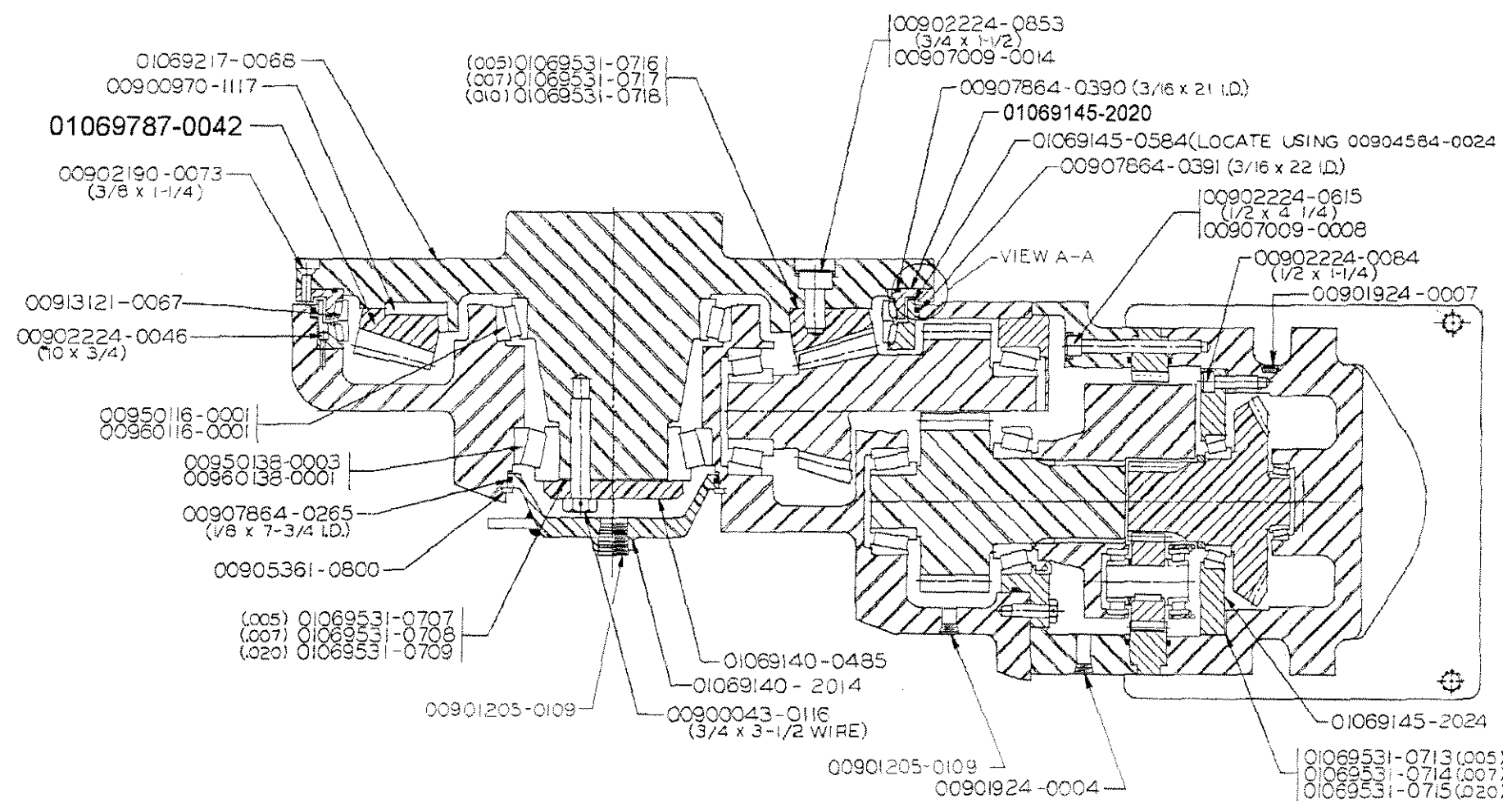


MATERIAL		PATTERN NO.	
YES LITHOPRINT		HEAT TREAT	
DRAFTER		CARBURIZE (ECC)	
JOHNSON		HARDNESS	
CHECKER:		SIMILAR TO	
ENGINEER:		CLASS MINERS	
APPROVAL:		JOY TECHNOLOGIES INC.	
		FRANKLIN, PENNA. 16323	
		GATHERING HEAD	
		GEAR CASE (R.H.)	
SIZE		DWS INC.	
D175003		00572019-0040	
SCALE		REV	
		L	

8 7 6 5 4 3

00572019-0040 2 1

REV		DESCRIPTION	DATE	APPROVED
A		FDA 0523	6-88	
B		FDA 0585	8-88	
C		FDC 0463	12-88	
D		FDC 1514	6-89	
E		FDC 4897	11-90	
F		FDC 0491	2-93	
G		FDE 7211	3-95	
H		FDE 9881	3-96	
I		FDF 0454	5-96	
J		FDF 6813	3-10-96	





UNLESS OTHERWISE NOTED, ALL DIMENSIONS IN INCHES; MACHINING DIMENSIONS LIMITED TO FRACTIONAL 1/64, ANGULAR 1/2°; STRUCTURAL DIMENSIONS LIMITED TO 1/16. DO NOT SCALE THIS DRAWING.

\*THIS DRAWING AND ALL INFORMATION THEREIN IS THE PROPERTY OF AND CONFIDENTIAL TO JOY TECHNOLOGIES INCORPORATED. IT MUST NOT BE MADE PUBLIC OR COPIED. IT IS LOANED SUBJECT TO RETURN UPON DEMAND. IT IS NOT TO BE USED DIRECTLY OR INDIRECTLY IN ANY WAY DETRIMENTAL TO THE INTERESTS OF JOY TECHNOLOGIES INCORPORATED.\*

MATERIAL		PATTERN NO.	
HEAT TREAT		SIMILAR TO	
CARBURIZE (ECD)			
HARDNESS			
YES LITHOPRINT	CLASS MINERS	JOY TECHNOLOGIES INC.	
DATE	DATE	FRANKLIN, PENNA. 16323	
DRAFTER JOHNSON	6 88	GATHERING HEAD GEAR CASE (R.H.)	
CHECKER	DATE		
ENGINEER	DATE		
APPROVAL	DATE	SIZE: PSCV NO. 00572019-0040	
		D1 75003	
		SCALE	

**PROCEDURE:**

1. CLEAN SEALS AND RING SETS WITH CLEANING SOLVENT
2. WIPE SEAL FACES CLEAN AND COAT WITH LIGHT OIL. THERE MUST BE NO OIL ON TORIC RING OR RING SEAT.
3. USE PROPER INSTALLER TOOL, WET RING IN SOLVENT, AND PRESS INTO SEAT MAKING SURE IT IS NOT TWISTED.
4. ALWAYS ASSEMBLE SEALS IN MATCHED PAIRS. NEVER ASSEMBLE ONE NEW SEAL AND ONE USED SEAL TOGETHER, OR TWO SEALS THAT HAVE NOT PREVIOUSLY RUN TOGETHER.

© JOY MINING MACHINERY 1988 ALL RIGHTS RESERVED.  THIS DRAWING IS THE PROPERTY OF JOY MINING MACHINERY AND IS CONFIDENTIAL. IT IS ISSUED SUBJECT TO THE CONDITIONS THAT: (1) THE INFORMATION OR ANY PART THEREOF CONTAINED IN IT SHALL NOT BE DISCLOSED IN ANY FORM TO A THIRD PARTY. (2) IT OR ANY PART OF IT SHALL NOT BE REPRODUCED IN ANY FORM.	<b>GENERAL NOTES</b> 1. WELDING SYMBOLS STANDARD TO ISO 2554 METHOD A. 2. REMOVE ALL BURRS & SHARP EDGES. 3. ALL DIMENSIONS IN MILLIMETERS UNLESS OTHERWISE STATED. 4. THIRD ANGLE PROJECTION 	<b>FINISH SYMBOLS</b> <table border="1"> <tr> <th>SYM</th> <th>MICRO</th> <th>SYM</th> <th>MICRO</th> </tr> <tr> <td>W3</td> <td>0.1</td> <td>W8</td> <td>3.2</td> </tr> <tr> <td>W4</td> <td>0.2</td> <td>W9</td> <td>6.3</td> </tr> <tr> <td>W5</td> <td>0.4</td> <td>R10</td> <td>12.5</td> </tr> <tr> <td>W6</td> <td>0.8</td> <td>W11</td> <td>25</td> </tr> <tr> <td>W7</td> <td>1.6</td> <td></td> <td></td> </tr> </table>	SYM	MICRO	SYM	MICRO	W3	0.1	W8	3.2	W4	0.2	W9	6.3	W5	0.4	R10	12.5	W6	0.8	W11	25	W7	1.6			<b>TOLERANCES UNLESS OTHERWISE STATED</b> <table border="1"> <tr> <td>MACHINING</td> <td>±0.5</td> </tr> <tr> <td>ANGULAR</td> <td>±1/2°</td> </tr> <tr> <td>FABRICATION &amp; STRUCTURAL</td> <td></td> </tr> <tr> <td>UP TO 300</td> <td>±1</td> </tr> <tr> <td>301 UP TO 1000</td> <td>±2</td> </tr> <tr> <td>1001 UP TO 2000</td> <td>±3</td> </tr> <tr> <td>OVER 2000</td> <td>±5</td> </tr> </table>	MACHINING	±0.5	ANGULAR	±1/2°	FABRICATION & STRUCTURAL		UP TO 300	±1	301 UP TO 1000	±2	1001 UP TO 2000	±3	OVER 2000	±5	<b>MANUFACTURING SPECIFICATIONS</b> PROTECT TREATMENT FABRICATION TOL'S MACHINING TOL'S FINISH SPEC MANUFACTURING SPEC WELDING SPEC HEAT TREATMENT HARDNESS	<b>MATERIAL</b> SEE TABLE MATERIAL CODE WEIGHT UNITS ESTIMATED WEIGHT PLATE INDICATOR DRW TOLSE REPLACED BY SIMILAR TO	VERSION 05 CHANGE NO. 1053916 DRAWN BY R.J. CAD SYSTEM MANUAL DATE 12-30-88 SCALE SHEET 1 of 1 MACHINE MODEL	A3  DESIGN LOCATION Franklin, PA USA 05 DESCRIPTION <b>SEAL INSTALLATION INSTRUCTIONS</b> DWG. NO. SK021855-0000
			SYM	MICRO	SYM	MICRO																																							
W3	0.1	W8	3.2																																										
W4	0.2	W9	6.3																																										
W5	0.4	R10	12.5																																										
W6	0.8	W11	25																																										
W7	1.6																																												
MACHINING	±0.5																																												
ANGULAR	±1/2°																																												
FABRICATION & STRUCTURAL																																													
UP TO 300	±1																																												
301 UP TO 1000	±2																																												
1001 UP TO 2000	±3																																												
OVER 2000	±5																																												

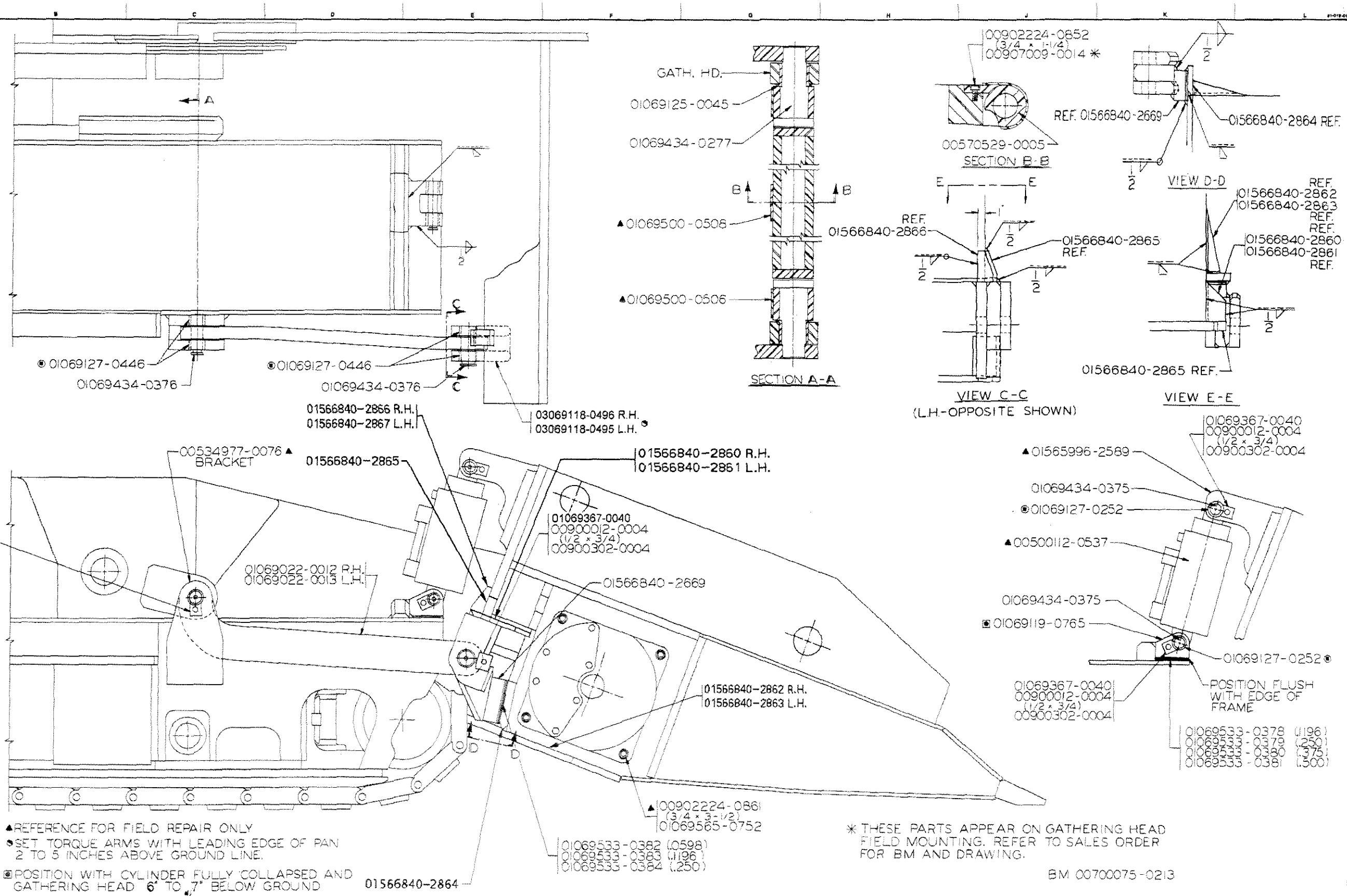
B/M Number	Description	Reference	Date	Sheet
00700075-0213	MOUNTING, GATHERING HEAD	JCM00707-0098 FDF7697	07/17/1998	01

---

Qty	UOM	Part Number	Description	Ref No
1	EA	00570529-0005	PLATE, PIVOT	10
8	EA	00900012-0004	SCREW, CAP, GR. 5, 1/2-13 X 3/4	20
8	EA	00900302-0004	WASHER, LOCK, 1/2	30
6	EA	00902224-0852	SCREW, CAP, 3/4-10 X 1-1/4	40
1	EA	01069022-0012	ARM, TORQUE, R.H.	50
1	EA	01069022-0013	ARM, TORQUE, L.H.	60
2	EA	01069119-0765	BRACKET, ANGLE	70
2	EA	01069125-0045	BUSHING, FLANGED	80
8	EA	01069127-0252	BUSHING	90
8	EA	01069127-0446	BUSHING	100
8	EA	01069367-0040	KEEPER	110
2	EA	01069434-0277	PIN, SPECIAL	120
4	EA	01069434-0375	PIN	130
4	EA	01069434-0376	PIN	140
2	EA	01069533-0378	SHIM (.1196)	150
2	EA	01069533-0379	SHIM (.250)	160
2	EA	01069533-0380	SHIM (.375)	170
2	EA	01069533-0381	SHIM (.500)	180
2	EA	01069533-0382	SHIM (.0598)	190
2	EA	01069533-0383	SHIM (.1196)	200
2	EA	01069533-0384	SHIM (1/4)	210
2	EA	01566840-2669	DETAIL	220
1	EA	01566840-2860	DETAIL	230
1	EA	01566840-2861	DETAIL	240
1	EA	01566840-2862	DETAIL	250
1	EA	01566840-2863	DETAIL	260
2	EA	01566840-2864	DETAIL	270
2	EA	01566840-2865	DETAIL	280
1	EA	01566840-2866	DETAIL	290
1	EA	01566840-2867	DETAIL	300
1	EA	03069118-0495	BRACKET	310
1	EA	03069118-0496	BRACKET	320

\*\*\*\*\* End of Bill of Material \*\*\*\*\*

JCM0070-7-0098



- ▲ REFERENCE FOR FIELD REPAIR ONLY
- SET TORQUE ARMS WITH LEADING EDGE OF PAN 2 TO 5 INCHES ABOVE GROUND LINE.
- ⊠ POSITION WITH CYLINDER FULLY COLLAPSED AND GATHERING HEAD 6" TO 7" BELOW GROUND
- ⊙ TACK WELD

\* THESE PARTS APPEAR ON GATHERING HEAD FIELD MOUNTING. REFER TO SALES ORDER FOR BM AND DRAWING.

BM 00700075-0213

ALL WELDS MUST BE 70,000 MINIMUM TENSILE.

REV	DESCRIPTION
1	AS SHOWN

DC5028	FDC5504	FDC3697	FDC6235	FDE5478
MATERIAL	PATTERN NO	LITHO PRINT	YES	NO
HEAT TREAT				
HARDNESS				
CARBURIZE (BC)				

FINISH SYMBOLS	DESCRIPTION
A	PRECISION POLISH
B	FINE POLISH
C	COMMON POLISH
D	GRIND OR EQUAL
E	SMOOTH MACHINE

JOY TECHNOLOGIES INC.  
FRANKLIN, PENNSYLVANIA 16322

THIS DRAWING AND ALL INFORMATION THEREIN IS THE PROPERTY OF AND CONFIDENTIAL TO JOY TECHNOLOGIES INC. IT MUST NOT BE MADE PUBLIC OR COPIED. IT IS LOANED SUBJECT TO RETURN UPON DEMAND. IS NOT TO BE USED DIRECTLY OR INDIRECTLY IN ANY WAY DETRIMENTAL TO OUR INTEREST.

MOUNTING, GATHERING HEAD	
SIMILAR TO -0096	OR JOHNSON
REPLACES	DATE 10-4-90
REPLACED BY	CLASS 12CM
	SCALE 2:1
JCM00707-0098	

B/M Number	Description	Reference	Date	Sheet
00500112-0537	CYLINDER, ELEVATE, GATHERING H	1041789	01/16/2002	

---

Qty	UOM	Part Number	Description	Ref No
1	EA	01701336-0000	RING, WIPER	1
1	EA	03190338-0021	WIPER	2
1	EA	01069858-0008	NUT, PACKING	3
1	EA	01069858-0009	NUT, PACKING	4
2	EA	03190154-0046	PLUG,NYLOC	5
1	EA	01567707-0031	SEAL	6
3	EA	00901924-0005	PLUG, HEX SOC., 1/2 NPTF	7
1	EA	00901924-0003	PLUG, HEX SOC, 1/4" NPT	8
1	EA	01567707-0032	BEARING	9
1	EA	00914478-0160	SEAL, POLY PAK	10
1	EA	00910660-0161	O-RING	11
1	EA	00506205-1736	PLUNGER	12
1	EA	00506205-1735	SLEEVE	13
1	EA	03069862-0024	CYLINDER, BODY	14

\*\*\*\*\* End of Bill of Material \*\*\*\*\*