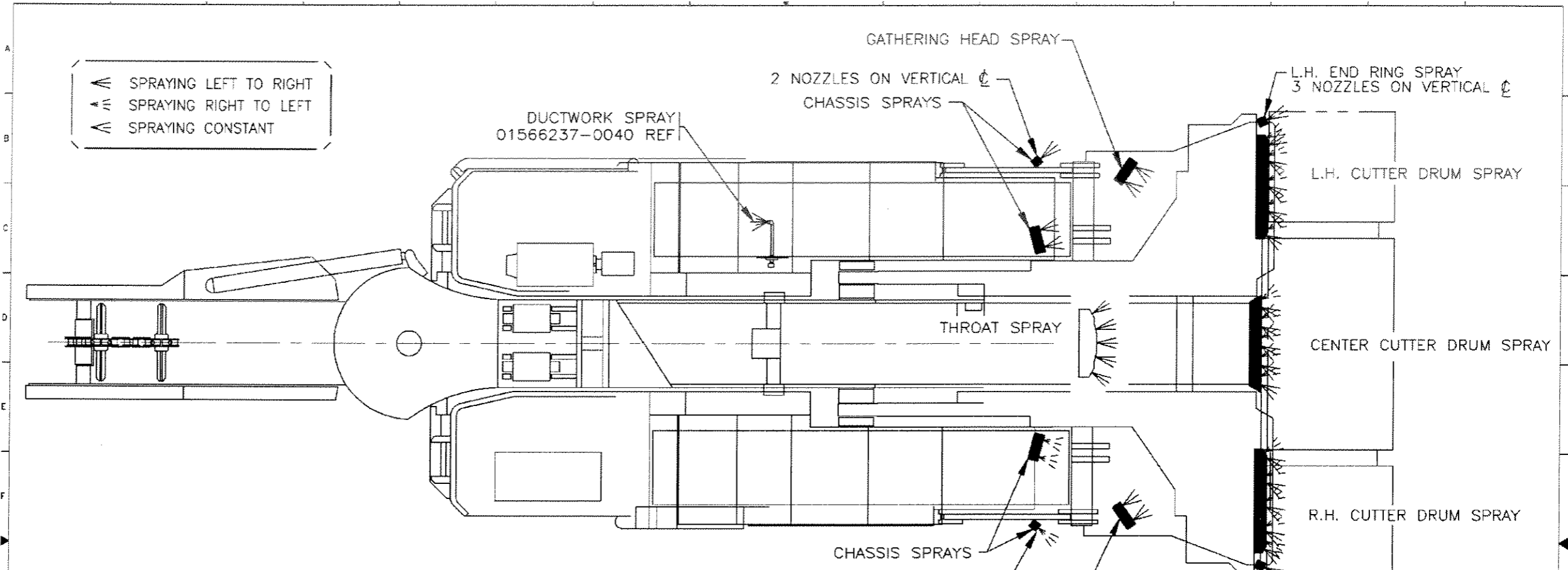


	Description	Page
	APPROVAL, SPRAY SYSTEM	1-8-1
	PIPING, WATER	1-8-2
	FILTER, WATER	1-8-3
	VALVE, PILOT, WATER	1-8-4
	VALVE, PRESSURE REDUCING, DUST COLL	1-8-5
	PUMP, WATER, DUST COLLECTOR	1-8-6



SPRAY NOZZLE DATA

QTY.	JOY PART NO.	NOZZLE SPECIFICATIONS
53	01566237-0006	FLOW - .94 GPM AT 100 PSI SPRAY ANGLE - 75 DEG. @ 100PSI TYPE - HOLLOW CONE ORIFICE SIZE - .094" THREAD SIZE - 3/8 NPT
1	01566237-0040	FLOW - 6.4 GPM AT 40 PSI SPRAY ANGLE - 121 DEG. @ 40 PSI TYPE - SOLID CONE ORIFICE SIZE - .234" THREAD SIZE - 1/2 NPT

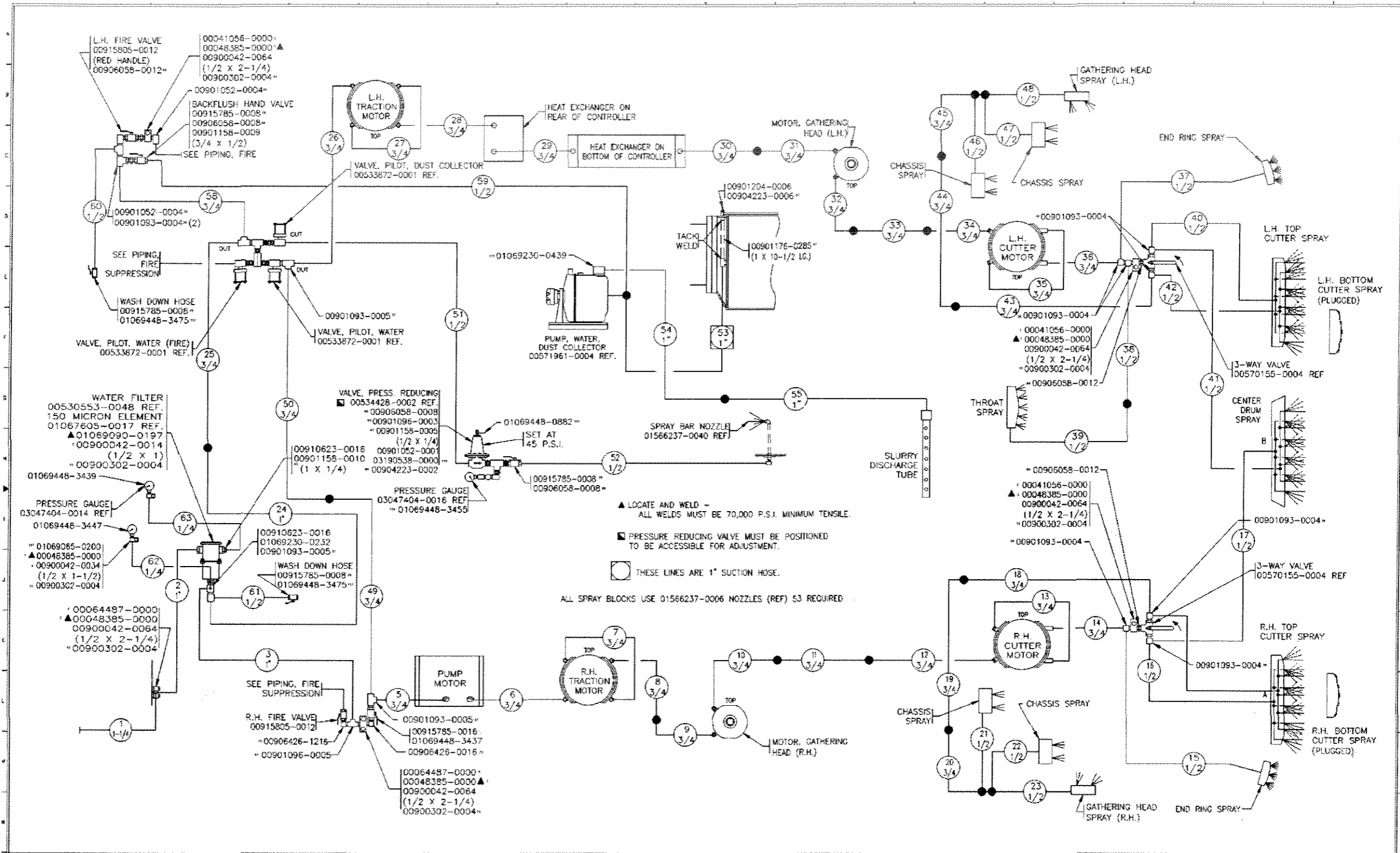
WATER CONSUMPTION DATA (LEFT TO RIGHT)

DUST SUPPRESSION SYSTEM (SPRAYING LEFT TO RIGHT)
AT 100 PSI NOZZLE PRESSURE:

21 - 01566237-0051 NOZZLES	19.74 GPM	DIRECTIONAL
11 - 01566237-0006 NOZZLES	10.34 GPM	CONSTANT
1 - 01566237-0040 NOZZLES	6.40 GPM	DUST COLLECTOR
	<u>36.48 GPM</u>	

TOTAL MACHINE FLOW REQUIREMENT FOR WATER SYSTEM IN EITHER DIRECTION USING THE ABOVE SYSTEM THIS MACHINE WILL REQUIRE APPROX. 36.48 GPM AT 250 PSI DYNAMIC PRESSURE TO MAINTAIN 100 PSI NOZZLE PRESSURE.

<p>JOY MINING MACHINERY 1998 ALL RIGHTS RESERVED</p> <p>THIS DRAWING IS THE PROPERTY OF JOY MINING MACHINERY AND IS CONFIDENTIAL. IT IS ISSUED SUBJECT TO THE CONDITIONS THAT: (1) THE INFORMATION OR ANY PART THEREOF CONTAINED IN IT SHALL NOT BE DISCLOSED IN ANY FORM TO A THIRD PARTY. (2) IT OR ANY PART OF IT SHALL NOT BE REPRODUCED IN ANY FORM.</p>	<p>GENERAL NOTES</p> <p>1. WELDING SYMBOLS STANDARD TO ISO 2553 METHOD A.</p> <p>2. REMOVE ALL BURRS & SHARP EDGES.</p> <p>3. ALL DIMENSIONS IN MILLIMETERS UNLESS OTHERWISE STATED.</p> <p>4. THIRD ANGLE PROJECTION </p>	<table border="1"> <thead> <tr> <th colspan="2">FINISH SYMBOLS</th> <th colspan="2">TOLERANCES UNLESS OTHERWISE STATED</th> </tr> <tr> <th>SYM</th> <th>MICRO m</th> <th>SYM</th> <th>MICRO m</th> </tr> </thead> <tbody> <tr> <td>N3</td> <td>0.1</td> <td>N8</td> <td>3.2</td> </tr> <tr> <td>N4</td> <td>0.2</td> <td>N9</td> <td>6.3</td> </tr> <tr> <td>N5</td> <td>0.4</td> <td>N10</td> <td>12.5</td> </tr> <tr> <td>N6</td> <td>0.8</td> <td>N11</td> <td>25</td> </tr> <tr> <td>N7</td> <td>1.6</td> <td></td> <td></td> </tr> </tbody> </table>	FINISH SYMBOLS		TOLERANCES UNLESS OTHERWISE STATED		SYM	MICRO m	SYM	MICRO m	N3	0.1	N8	3.2	N4	0.2	N9	6.3	N5	0.4	N10	12.5	N6	0.8	N11	25	N7	1.6			<p>MANUFACTURING SPECIFICATIONS</p> <p>PROTECT TREATMENT</p> <p>FABRICATION TOL'S</p> <p>MACHINING TOL'S</p> <p>FINISH SPEC</p> <p>MANUFACTURING SPEC</p> <p>WELDING SPEC</p> <p>HEAT TREATMENT</p> <p>HARDNESS</p>	<table border="1"> <thead> <tr> <th>MATERIAL</th> <th>WEIGHT UNITS</th> <th>kg</th> </tr> </thead> <tbody> <tr> <td>MATERIAL CODE</td> <td></td> <td></td> </tr> <tr> <td>ESTIMATED WEIGHT</td> <td></td> <td></td> </tr> <tr> <td>PLATE INDICATOR</td> <td>DRW USE</td> <td>x</td> </tr> <tr> <td>REPLACED BY</td> <td></td> <td></td> </tr> <tr> <td>SIMILAR TO</td> <td>5000017507</td> <td></td> </tr> </tbody> </table>	MATERIAL	WEIGHT UNITS	kg	MATERIAL CODE			ESTIMATED WEIGHT			PLATE INDICATOR	DRW USE	x	REPLACED BY			SIMILAR TO	5000017507		<table border="1"> <thead> <tr> <th>VERSION</th> <th>01</th> </tr> </thead> <tbody> <tr> <td>CHANGE NO.</td> <td>1085325</td> </tr> <tr> <td>DRAWN BY</td> <td>Jim Daly</td> </tr> <tr> <td>CAD SYSTEM</td> <td>AUTOCAD</td> </tr> <tr> <td>DATE</td> <td>7/20/04</td> </tr> <tr> <td>SCALE</td> <td>SHEET</td> </tr> <tr> <td>NONE</td> <td>1 OF 1</td> </tr> <tr> <td>MACHINE MODEL</td> <td>14CM</td> </tr> </tbody> </table>	VERSION	01	CHANGE NO.	1085325	DRAWN BY	Jim Daly	CAD SYSTEM	AUTOCAD	DATE	7/20/04	SCALE	SHEET	NONE	1 OF 1	MACHINE MODEL	14CM	<p>A1 DESIGN LOCATION FRANKLIN, PENNSYLVANIA</p> <p>DESCRIPTION</p> <p>APPROVAL, SPRAY SYSTEM</p> <p>DWG. NO. 5000022230</p>	<p>05</p>
			FINISH SYMBOLS		TOLERANCES UNLESS OTHERWISE STATED																																																																
			SYM	MICRO m	SYM	MICRO m																																																															
			N3	0.1	N8	3.2																																																															
N4	0.2	N9	6.3																																																																		
N5	0.4	N10	12.5																																																																		
N6	0.8	N11	25																																																																		
N7	1.6																																																																				
MATERIAL	WEIGHT UNITS	kg																																																																			
MATERIAL CODE																																																																					
ESTIMATED WEIGHT																																																																					
PLATE INDICATOR	DRW USE	x																																																																			
REPLACED BY																																																																					
SIMILAR TO	5000017507																																																																				
VERSION	01																																																																				
CHANGE NO.	1085325																																																																				
DRAWN BY	Jim Daly																																																																				
CAD SYSTEM	AUTOCAD																																																																				
DATE	7/20/04																																																																				
SCALE	SHEET																																																																				
NONE	1 OF 1																																																																				
MACHINE MODEL	14CM																																																																				

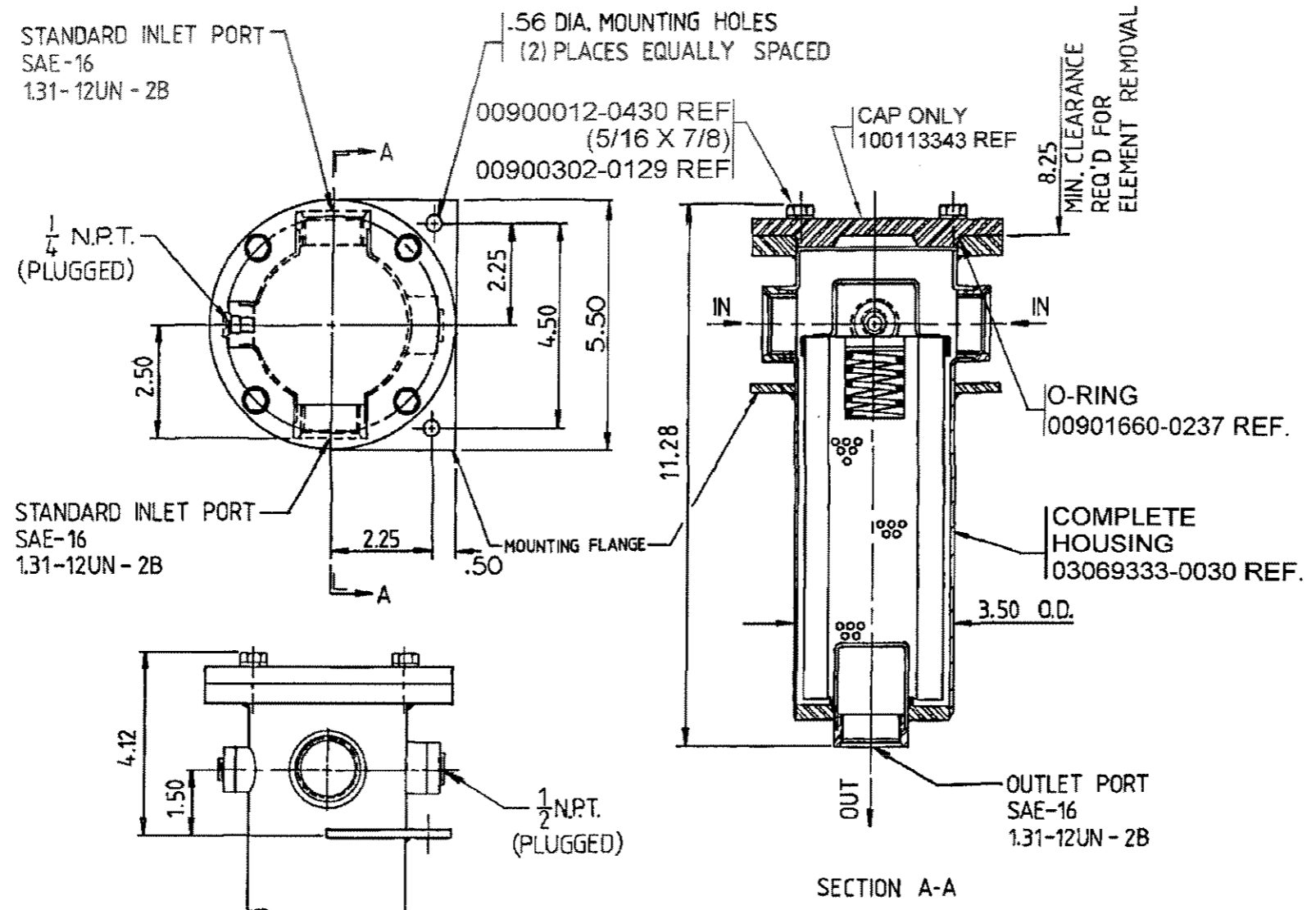


<p>JOY MINING MACHINERY 1998 ALL RIGHTS RESERVED.</p> <p>THIS DRAWING IS THE PROPERTY OF JOY MINING MACHINERY AND IS CONFIDENTIAL. IT IS ISSUED SUBJECT TO THE CONDITIONS THAT:</p> <p>(1) THE INFORMATION OR ANY PART THEREOF CONTAINED IN IT SHALL NOT BE DISCLOSED IN ANY FORM TO A THIRD PARTY.</p> <p>(2) IT OR ANY PART OF IT SHALL NOT BE REPRODUCED IN ANY FORM.</p>	<p>GENERAL NOTES</p> <ol style="list-style-type: none"> WELDING SYMBOLS STANDARD TO ISO 2553 METHOD A. REMOVE ALL BURRS AND SHARP EDGES. ALL DIMENSIONS IN MILLIMETERS UNLESS OTHERWISE STATED. THIRD ANGLE PROJECTION 	<p>FINISH SYMBOLS</p> <table border="1"> <tr> <th>SYM</th> <th>MICRO IN</th> <th>SYM</th> <th>MICRO IN</th> </tr> <tr> <td>N3</td> <td>0.1</td> <td>N8</td> <td>3.2</td> </tr> <tr> <td>N4</td> <td>0.2</td> <td>N9</td> <td>6.3</td> </tr> <tr> <td>N5</td> <td>0.4</td> <td>N10</td> <td>12.5</td> </tr> <tr> <td>N6</td> <td>0.8</td> <td>N11</td> <td>25</td> </tr> <tr> <td>N7</td> <td>1.6</td> <td></td> <td></td> </tr> </table>	SYM	MICRO IN	SYM	MICRO IN	N3	0.1	N8	3.2	N4	0.2	N9	6.3	N5	0.4	N10	12.5	N6	0.8	N11	25	N7	1.6			<p>TOLERANCES UNLESS OTHERWISE STATED</p> <table border="1"> <tr> <td>MACHINING</td> <td>±0.5</td> </tr> <tr> <td>ANGULAR</td> <td>±1/2°</td> </tr> <tr> <td colspan="2">FABRICATION & STRUCTURAL</td> </tr> <tr> <td>UP TO 350</td> <td>±1</td> </tr> <tr> <td>301 UP TO 1000</td> <td>±2</td> </tr> <tr> <td>1001 UP TO 2000</td> <td>±3</td> </tr> <tr> <td>OVER 2000</td> <td>±5</td> </tr> </table>	MACHINING	±0.5	ANGULAR	±1/2°	FABRICATION & STRUCTURAL		UP TO 350	±1	301 UP TO 1000	±2	1001 UP TO 2000	±3	OVER 2000	±5	<p>MANUFACTURING SPECIFICATIONS</p> <table border="1"> <tr> <td>PROTECT TREATMENT</td> <td></td> </tr> <tr> <td>FABRICATION TOL'S</td> <td></td> </tr> <tr> <td>MACHINING TOL'S</td> <td></td> </tr> <tr> <td>FINISH SPEC</td> <td></td> </tr> <tr> <td>MANUFACTURING SPEC</td> <td></td> </tr> <tr> <td>WELDING SPEC</td> <td></td> </tr> <tr> <td>HEAT TREATMENT</td> <td></td> </tr> <tr> <td>HARDNESS</td> <td></td> </tr> </table>	PROTECT TREATMENT		FABRICATION TOL'S		MACHINING TOL'S		FINISH SPEC		MANUFACTURING SPEC		WELDING SPEC		HEAT TREATMENT		HARDNESS		<p>MATERIAL</p> <table border="1"> <tr> <td>MATERIAL CODE</td> <td>WEIGHT UNITS</td> <td>kg</td> </tr> <tr> <td>ESTIMATED WEIGHT</td> <td></td> <td></td> </tr> <tr> <td>PLATE INDICATOR</td> <td>DRW USE</td> <td>x</td> </tr> <tr> <td>REPLACED BY</td> <td></td> <td></td> </tr> <tr> <td>SIMILAR TO</td> <td>5050017699</td> <td></td> </tr> </table>	MATERIAL CODE	WEIGHT UNITS	kg	ESTIMATED WEIGHT			PLATE INDICATOR	DRW USE	x	REPLACED BY			SIMILAR TO	5050017699		<p>VERSION 03</p> <p>CHANGE NO. 1090482</p> <p>DRAWN BY Jim Daly</p> <p>CAD SYSTEM AUTOCAD</p> <p>DATE</p> <p>SCALE SHEET</p> <p>NONE 01 OF 01</p> <p>MACHINE MODEL 14CM</p>	<p>DESIGN LOCATION FRANKLIN, PENNSYLVANIA</p> <p>DESCRIPTION</p> <p>PIPING, WATER</p> <p>DWG. NO. 5000022226</p> <p>SPRINT NO. 05</p>
	SYM	MICRO IN	SYM	MICRO IN																																																																								
	N3	0.1	N8	3.2																																																																								
	N4	0.2	N9	6.3																																																																								
N5	0.4	N10	12.5																																																																									
N6	0.8	N11	25																																																																									
N7	1.6																																																																											
MACHINING	±0.5																																																																											
ANGULAR	±1/2°																																																																											
FABRICATION & STRUCTURAL																																																																												
UP TO 350	±1																																																																											
301 UP TO 1000	±2																																																																											
1001 UP TO 2000	±3																																																																											
OVER 2000	±5																																																																											
PROTECT TREATMENT																																																																												
FABRICATION TOL'S																																																																												
MACHINING TOL'S																																																																												
FINISH SPEC																																																																												
MANUFACTURING SPEC																																																																												
WELDING SPEC																																																																												
HEAT TREATMENT																																																																												
HARDNESS																																																																												
MATERIAL CODE	WEIGHT UNITS	kg																																																																										
ESTIMATED WEIGHT																																																																												
PLATE INDICATOR	DRW USE	x																																																																										
REPLACED BY																																																																												
SIMILAR TO	5050017699																																																																											

	Item	Part Number	Description	Qty
	A	100188204	PIPING, WATER	1
	1	00034149-0000	BOSS	4
	2	00041056-0000	COUPLING	3
	3	00048385-0000	BLOCK	11
	4	00064487-0000	COUPLING	3
	5	00900012-0064	SCREW, CAP, GR. 5, 1/2-13 X 2-1/4	6
	6	00900042-0004	SCREW, CAP, HEX HEAD, 1/2" UNC X 3/4"	4
	7	00900042-0014	SCREW, CAP, GR. 8, 1/2-13 X 1	9
	8	00900042-0034	SCREW, CAP, GR. 8, 1/2-13 X 1-1/2	1
	9	00900042-0054	SCREW, CAP, HEX HEAD 1/2" UNC X 2"	1
	10	00900042-0074	SCREW, CAP, GR. 8, 1/2-13 X 2-1/2	1
	11	00900042-0094	SCREW CAP HEX HD 1/2-13 X 3" LG	4
	12	00900042-0103	SCREW CAP HEX 3/8X3-1/4	2
	13	00900042-0393	SCREW, CAP, GR. 8, 3/8-16 X 1/2	3
	14	00900302-0003	WASHER, LOCK, 3/8	5
	15	00900302-0004	WASHER, LOCK, 1/2	20
	16	00900716-0005	ADAPTER, 1/4 NPTF X 1/4 MPT	3
	17	00900716-0009	ADAPTER, 3/8 NPTF X 3/8 MPT	4
	18	00900716-0013	ADAPTER, 1/2 NPTF X 1/2 MPT	14
	19	00900716-0017	ADAPTER, 3/4 NPTF X 3/4 MPT	13
	20	00900716-0021	ADAPTER, 1 NPTF X 1 MPT	9
	21	00900716-0022	ADAPTOR	4
	22	00900716-0029	ADAPTER, 3/4 NPTF X 1/2 MPT	2
	23	00900716-0032	FITTING	6
	24	00900718-0001	UNION	2
	25	00900718-0002	ADAPTER, 3/8 NPTF X 3/8 MPT	2
	26	00900718-0005	ADAPTER, 3/4 NPTF X 3/4 MPT	14
	27	00900718-0007	ADAPTER, 1-1/4 NPTF X 1-1/4 MPT	4
	28	00901034-0006	ELBOW, 90 X 1 NPT X 1 NPT	1
	29	00901052-0002	ELBOW, STREET, 90 X 3/8 NPTF X 3/8 NPTF	4
	30	00901052-0004	ELBOW, STREET, 90 X 3/4 NPTF X 3/4 NPTF	2
	31	00901052-0005	ELBOW, STREET, 90 X 1 NPTF X 1 NPTF	2
	32	00901058-0016	ELBOW	1
	33	00901086-0016	TEE, 1 NPTF	1
	34	00901093-0002	TEE, SERVICE, 3/8 NPTF	2
	35	00901093-0003	TEE, SERVICE, 1/2 NPTF	1
	36	00901093-0004	TEE, SERVICE, 3/4 NPTF	7
	37	00901093-0005	TEE, SERVICE, 1 NPTF	7
	38	00901093-0020	TEE, SERVICE, 1-1/4 NPTF	2
	39	00901096-0002	TEE, 3/8 NPTF	2
	40	00901096-0003	TEE, 1/2 NPTF	2
	41	00901096-0005	TEE, 1 NPTF	6
	42	00901158-0005	BUSHING, 1/2 NPT X 1/4 NPT	1
	43	00901158-0007	BUSHING, 3/4 NPT X 1/4 NPT	1

	Item	Part Number	Description	Qty
	44	00901158-0008	BUSHING, 3/4 NPT X 3/8 NPT	2
	45	00901158-0010	BUSHING, 1 NPT X 1/4 NPT	2
	46	00901165-0168	BUSHING, 1 NPTF X 1/2 NPTF	2
	47	00901176-0285	NIPPLE, XS, 1 X 10-1/2 LG	1
	48	00901178-0221	NIPPLE	8
	49	00901204-0007	PLUG, SQ. HD., 1-1/4 NPT	1
	50	00901924-0008	PLUG, HEX SOC., 1-1/4 NPTF	8
	51	00903686-0001	ADAPTOR, MALE 90	3
	52	00903686-0005	ADAPTOR, MALE 90	6
	53	00903686-0006	ELBOW, 90 X 1/2 NPTF X 1/2 MPT	4
	54	00903686-0007	ADAPTOR, 90 DEG	4
	55	00903686-0010	ELBOW, 90 X 1 NPTF X 1 MPT	2
	56	00903686-0068	90 DEG MALE ADAPTOR	4
	57	00903686-0086	ELBOW 90DEG SWIVEL	5
	58	00903686-1612	ELBOW	3
	59	00903686-1620	ELBOW, 90 X 1 NPTF X 1-1/4 MPT	10
	60	00903687-0004	ADAPTOR,135,3/4"NPT,M,3/4"NPSM,F/S	4
	61	00903687-0005	ADAPTOR,135,1"NPT,M,1"NPSM,F/S	1
	62	00903687-0086	ADAPTOR,135,1/2"NPT,M,3/8"NPSM,F/S	1
	63	00903687-0128	ADAPTOR,135,3/4"NPT,M,1/2"NPSM,F/S	2
	64	00903697-0006	ELBOW, 90 X 1/2 NPTF X 1/2 MPT	1
	65	00903697-0008	ELBOW, 90 X 3/4 NPTF X 3/4 MPT	13
	66	00904223-0002	COUPLING, 1/4 NPTF	1
	67	00904223-0006	COUPLING, 1 NPTF	1
	68	00906058-0008	NIPPLE, HEX, 1/2 NPTF X 1/2 NPTF	1
	69	00906058-0012	NIPPLE, HEX, 3/4 NPTF X 3/4 NPTF	4
	70	00906426-0008	ELBOW, 90 X 1/2 NPTF X 1/2 NPTF	4
	71	00906426-0012	ELBOW, 90 X 3/4 NPTF X 3/4 NPTF	1
	72	00906426-0016	ELBOW, 90 X 1 NPTF X 1 NPTF	1
	73	00906426-0020	ELBOW	1
	74	00906426-0812	ELBOW, 90 X 1/2 NPTF X 3/4 NPTF	5
	75	00906426-1216	ELBOW, 90 X 3/4 NPTF X 1 NPTF	1
	76	00915785-0008	VALVE, BALL, 1/2 NPT	8
	77	00915785-0012	VALVE, BALL, 3/4 NPT	2
	78	00915785-0020	VALVE, BALL, 1-1/4 NPT	1
	79	00917775-0088	NIPPLE, HEX, 1/2 NPTF X 1/2 NPTF	1
	80	00917775-1212	NIPPLE,HEX,3/4	7
	81	00917775-1616	NIPPLE, HEX, 1 NPTF X 1 NPTF	2
	82	00923704-0036	HOSE, ASSEMBLED, #4, MPT, CRIMP, CMP	2
	83	00923704-0072	HOSE, ASSEMBLED, #4, MPT, CRIMP, DWB	1
	84	00923704-0084	HOSE, ASSEMBLED, #4, MPT, CRIMP, DWB	2
	85	00926806-0018	HOSE, ASSEMBLED, #6, MPT, CRIMP, DWB	2
	86	00926806-0036	HOSE, ASSEMBLED, #6, MPT, CRIMP, DWB	2
	87	00926806-0048	HOSE, ASSEMBLED, #6, MPT, CRIMP, DWB	2

	Item	Part Number	Description	Qty
	88	00926806-0084	HOSE, ASSEMBLED, #6, MPT, CRIMP, DWB	2
	89	00926806-0096	HOSE, ASSEMBLED, #6, MPT, CRIMP, DWB	2
	90	00926808-0060	HOSE, ASSEMBLED, #8, MPT, CRIMP, DWB	5
	91	00926808-0072	HOSE, ASSEMBLED, #8, MPT, CRIMP, DWB	5
	92	00926808-0078	HOSE, ASSEMBLED, #8, MPT, CRIMP, DWB	5
	93	00926812-0010	HOSE, ASSEMBLED, #12, MPT, CRIMP, DWB	2
	94	00926812-0024	HOSE, ASSEMBLED, #12, MPT, CRIMP, DWB	3
	95	00926812-0036	HOSE, ASSEMBLED, #12, MPT, CRIMP, DWB	3
	96	00926812-0048	HOSE, ASSEMBLED, #12, MPT, CRIMP, DWB	7
	97	00926812-0072	HOSE, ASSEMBLED, #12, MPT, CRIMP, DWB	3
	98	00926812-0084	HOSE, ASSEMBLED, #12, MPT, CRIMP, DWB	6
	99	00926812-0096	HOSE, ASSEMBLED, #12, MPT, CRIMP, DWB	1
	100	00926816-0036	HOSE, ASSEMBLED, #16, MPT, CRIMP, DWB	2
	101	00926816-0060	HOSE, ASSEMBLED, #16, MPT, CRIMP, DWB	1
	102	00926816-0066	HOSE, ASSEMBLED, #16, MPT, CRIMP, DWB	1
	103	00926816-0096	HOSE, ASSEMBLED, #16, MPT, CRIMP, DWB	1
	104	00926820-0078	HOSE, ASSEMBLED, #20, MPT, CRIMP, DWB	7
	105	00926820-0102	HOSE, ASSEMBLED, #20, MPT, CRIMP, DWB	1
	106	01069065-0160	BLOCK. J	2
	107	01069065-0200	BLOCK, JUNCTION, HYDRAULIC	3
	108	01069065-0206	BLOCK, JUNCTION, HYDRAULIC	1
	109	01069090-0145	BOSS	3
	110	01069090-0179	BOSS	7
	111	01069230-0439	ADAPTER, HYDRAULIC, SPECIAL	1
	112	01069448-0882	PLATE, NAME (SPRAY BAR)	1
	113	01069448-1665	PLATE. N	1
	114	01069448-1666	PLATE. N	1
	115	01069448-3446	PLATE, NAME, RIGHT SIDE BOOM SPRAY	1
	116	01069448-3455	PLATE, NAME, SPRAY BAR PRESSURE	1
	117	01069448-3475	PLATE, NAME, WASH DOWN HOSE	2
	118	03069065-0083	BLOCK, HYD. JUNCTION	3
	119	03190538-0000	VALVE, NEEDLE, CONTROL	1
	120	100089277	HOSE, ASSEMBLED, MPT, CRIMP, STD, SUCTION, DN25	1

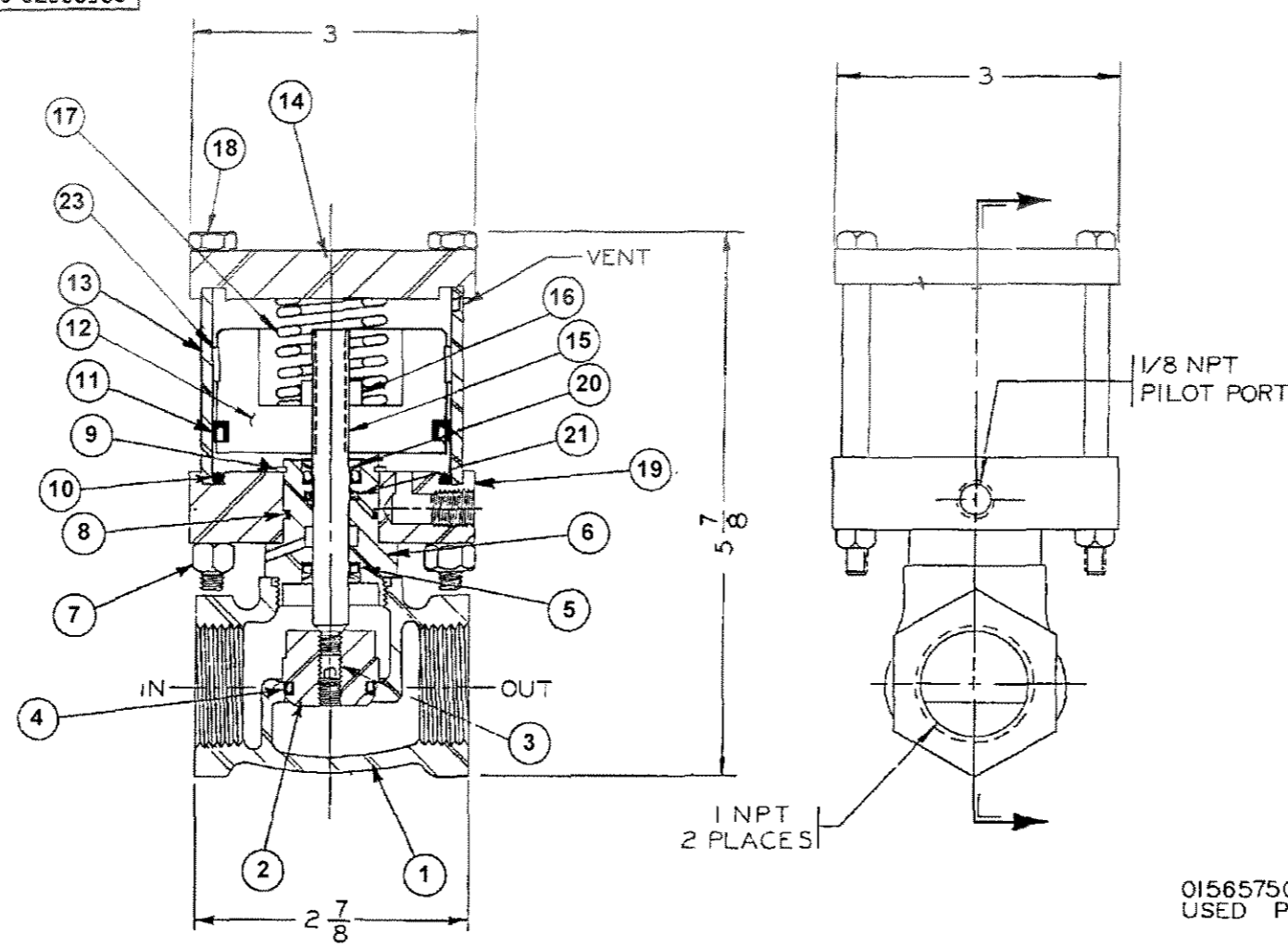


- NOTES:
1. MATERIAL:
ELEMENT CASE: STEEL
 2. FILTER PRESSURE RATING 600 PSI
MAX. OPERATING, 1200 PSI YIELD.
 3. TO REPLACE REUSEABLE ELEMENT ORDER
01067605-0017.
 4. BYPASS VALVE SETTING 25 PSI.
 5. THIS FILTER CANNOT BE BACK FLUSHED.
 6. OPTIONAL NON-BYPASSING ELEMENT
AVAILABLE AS P/N 01067605-0047
(100 PSI RATED).

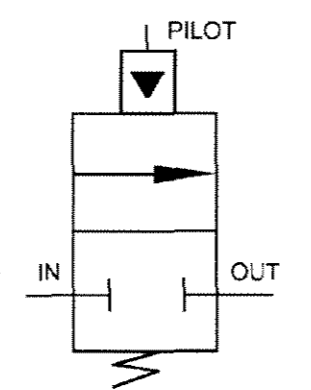
ENG ORDER FDE099	REVISIONS B FDE3630 C FDE3570 D FDE6332 E FDE9440	DATE ISSUED FDF3873 G FDF5978 H 1004880 I 1045036	LITHO PRINT YES <input type="checkbox"/> NO <input type="checkbox"/>	DWG. DIMS IMPERIAL <input checked="" type="checkbox"/> METRIC <input type="checkbox"/>	PATTERN NO.	HEAT TREAT	HARDNESS	CARBURIZE (ECD)		
TOLERANCE TO BE AS SPECIFIED BELOW UNLESS OTHERWISE STATED					FINISH SYMBOLS					DR: F. MARTYNA
ALL DIMENSIONS IN MILLIMETERS UNLESS OTHERWISE STATED					ALL DIMENSIONS IN INCHES UNLESS OTHERWISE STATED					DATE: 08-25-93
MACHINING					MACHINING					CHK'D: R. NEAR
UP TO 300mm 3.0mm					UP TO 12" .125"					DATE: 08-25-93
301 TO 500mm 3.2mm					12" TO 36" .125"					APP: R. WEBER
501 TO 1000mm 3.6mm					OVER 36" .125"					DATE: 25 AUG 93
1001 TO 2000mm 4.0mm					CASTINGS					SIMILAR TO:
2001 TO 3000mm 4.5mm					CASTINGS					REPLACES:
3001 TO 4000mm 5.0mm					CASTINGS					REPLACED BY:
4001 TO 5000mm 5.5mm					CASTINGS					SCALE: *****
5001 TO 6000mm 6.0mm					CASTINGS					CLASS: MINERS
6001 TO 7000mm 6.5mm					CASTINGS					A2 DWG. NO. 00530553-0048
7001 TO 8000mm 7.0mm					CASTINGS					
8001 TO 9000mm 7.5mm					CASTINGS					
9001 TO 10000mm 8.0mm					CASTINGS					

	Item	Part Number	Description	Qty
	A	00530553-0048	FILTER, WATER	1

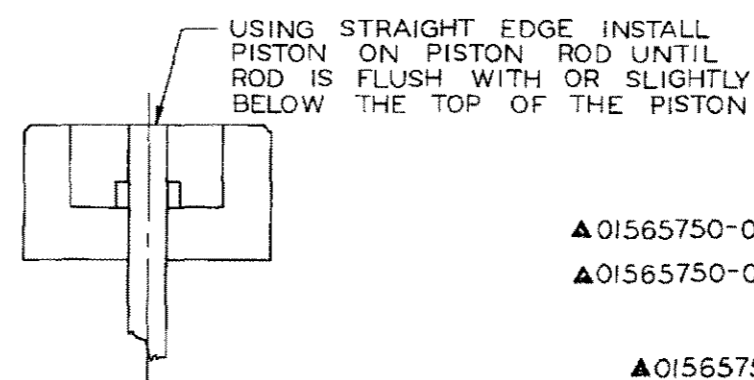
1000-21833900



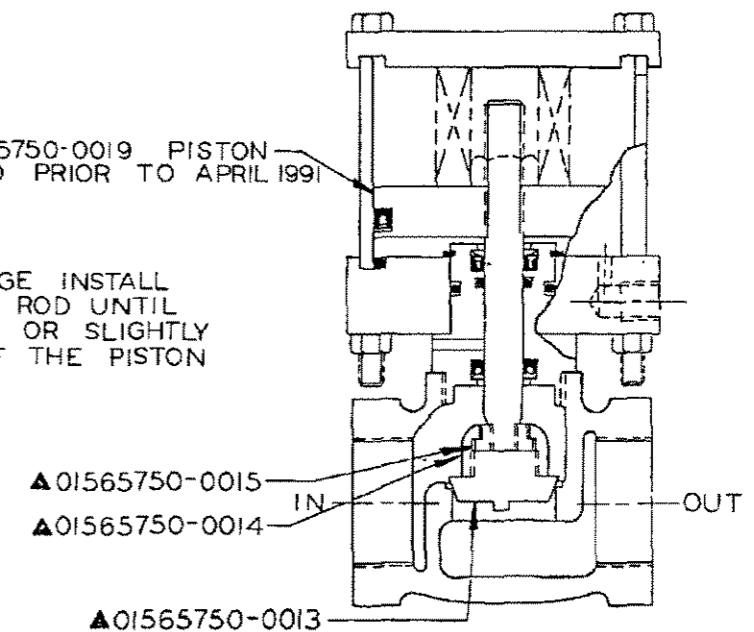
NO	JOY NUMBER	REQ'D	DESCRIPTION
1	01565750-0056	1	BODY
2	01565750-0053	1	POPPET
3	01565750-0054	1	SET SCREW
4	01565750-0055	1	U-CUP
5	1565750-16	2	ROD PACKING
6	1565750-17	1	GLAND
7	900149-3	4	NUT
8	910660-20	1	O RING (7/8ID x 1.0D)
9	902095-100	1	SNAP RING
10	910660-228	1	O RING (2-1/4ID x 2-1/2OD)
11	01565750-0057	1	PISTON PACKING
12	01069857-0031	1	PISTON
13	1565750-20	1	TUBE
14	1565750-21	1	BLIND END COVER
15	1565750-22	1	PISTON ROD
16	00900149-0026	1	NUT
17	905987-48	1	SPRING
18	00900012-0111	4	TIE ROD
19	1565750-28	1	ROD END COVER
20	1565750-38	2	SNAP RING
21	910660-110	1	O-RING (3/8ID x 9/16OD)
23	01069600-0275	1	STRIP, WEAR



SCHEMATIC SYMBOL



01565750-0019 PISTON USED PRIOR TO APRIL 1991



▲ THESE PARTS USED PRIOR TO SEPT 1987

LITHOPRINT, THIS DRAWING

This drawing and all information thereon is the property of the JOY MANUFACTURING CO. It is confidential and must not be made public or copied. It is loaned subject to return upon demand, is not to be used directly or indirectly in any way detrimental to our interest.

JOY MANUFACTURING CO.
PLANT LOCATION AS INDICATED BELOW

BIRMINGHAM, AL	LA GRANGE, IN
BUFFALO, NY	MICHIGAN CITY, IN
CAMBRIDGE, ONT. CANADA	NEW PHILADELPHIA, OH
CLAREMONT, NH	
E. YILMARDI, SCOTLAND	
FRANKLIN, PA	

2 WAY WATER VALVE N/C

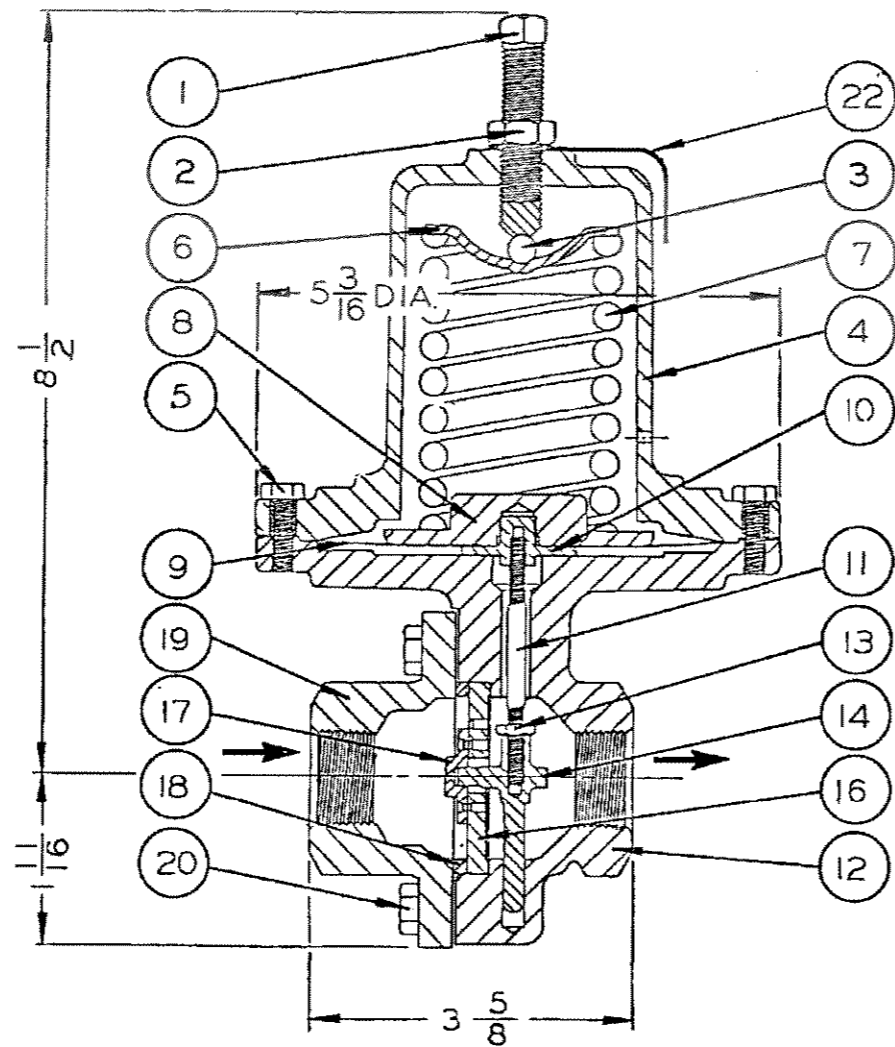
SIMILAR TO	DATE	SCALE	CLASS
SUPERSEDED BY	11/8/73		11 C M
REPLACES	00533872-0001		
REPLACED BY			

DATE: F5Q366 REVISIONS: FCE908 | FCF486 | FCG83 | FCR598 | FCX0856 | FCY0064 | FDA0483 | FDA0181 | FDC3421

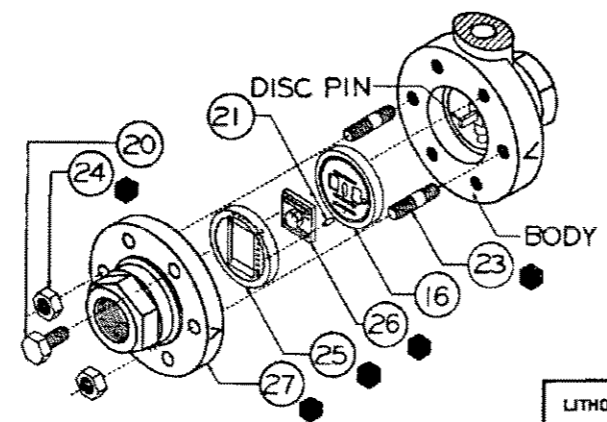
00533872-0001

	Item	Part Number	Description	Qty
	A	00533872-0001	VALVE, PILOT	1
	1	01565750-0056	BODY	1
	2	01565750-0053	POPPET	1
	3	01565750-0054	SCREW, SET	1
	4	01565750-0055	U-CUP	1
	5	01565750-0016	SEAL, ROD	2
	6	01565750-0017	GLAND	1
	7	00900149-0003	NUT, HEX, JAM, 1/4-20	4
	8	00910660-0020	O-RING	1
	9	00902095-0100	RING, RETAINING	1
	10	00910660-0228	O-RING	1
	11	01565750-0057	PISTON, PACKING	1
	12	01069857-0031	PISTON	1
	13	01565750-0020	TUBE	1
	14	01565750-0021	COVER, BLIND END	1
	15	01565750-0022	ROD, PISTON	1
	16	00900149-0026	NUT, HEX, JAM, 3/8-24	1
	17	00905987-0048	SPRING, DIE	1
	18	00900012-0111	SCREW, CAP, GR. 5, 1/4-20 X 3-1/2	4
	19	01565750-0028	COVER, ROD END	1
	20	01565750-0038	RING, SNAP	2
	21	00910660-0110	O-RING	1
	23	01069600-0275	STRIP, WEAR	1

00534428-0002



ITEM	DESCRIPTION	REQ'D	PART NO.
1	ADJUSTING SCREW	1	00900119-0103
2	LOCKNUT	1	00909988-0009
3	BALL BEARING	1	01567470-0022
4	SPRING HOUSING	1	01567470-0023
5	SPRING HOUSING BOLT	8	00900012-0002
6	SPRING SEAT	1	01567470-0025
7	SPRING	1	01567470-0026
8	UPPER DIAPHRAGM PLATE	1	01567470-0027
9	DIAPHRAGM	1	01567470-0028
10	LOWER DIAPHRAGM PLATE	1	01567470-0029
11	VALVE STEM	1	01567470-0030
12	BODY	1	01567470-0031
13	STEM LOCKNUT	1	01567470-0032
14	DISC PIN	1	01567470-0033
16	VALVE PLATE	1	01567470-0034▲
17	VALVE DISC	1	01567470-0035▲
18	PRESSURE RING	1	01567470-0036▲
19	CAP	1	01567470-0037
20	CAP SCREW	8	00900012-0003
21	INDEX PIN (NOT SHOWN)	1	01567470-0038
22	NAME PLATE	1	01567470-0039
23	STUD	2	00912183-0002
24	LOCKNUT	2	00906951-0006
25	GUIDE	1	01069296-0018
26	VALVE, SPECIAL	1	01069871-0004
27	CAP BOLTED	1	01069140-2012



LITHOPRINT THIS DRAWING

▲ PARTS MARKED THUS ARE AVAILABLE AS SEAT REPAIR KIT 03567470-0040

TO INCREASE THE REDUCER PRESSURE SETTING TURN THE ADJUSTING SCREW (ITEM 1) CLOCKWISE.

BEFORE DISASSEMBLING THE VALVE ALWAYS RELEASE THE TENSION ON THE SPRING.

● PARTS MARKED THUS ARE REQ'D FOR NEW STYLE VALVE WITH NEW DESIGN SLIDING GATE. PARTS FOR BOTH VERSIONS ARE AVAILABLE. VALVES WITH SERIAL NUMBER 120,000 OR HIGHER HAVE THE NEW SEAT ARRANGEMENT.

E. O. FCX 325 REVISIONS FDC0651 FDC4674 1054138

This drawing and all information therein is the property of the JOY MANUFACTURING CO. It is confidential and must not be made public or copied. It is loaned subject to return upon demand, is not to be used directly or indirectly in any way detrimental to our interest.

JOY MANUFACTURING CO.	
PLANT LOCATION AS INDICATED BELOW	
BIRMINGHAM, AL	LA GRANGE, NE
SUFFALO, NY	MICHIGAN CITY, IN
CAMBRIDGE, ONT. CANADA	NEW PHILADELPHIA, OH
CLAREMONT, NH	
E. KILBRIDE, SCOTLAND	
FRANKLIN, PA	

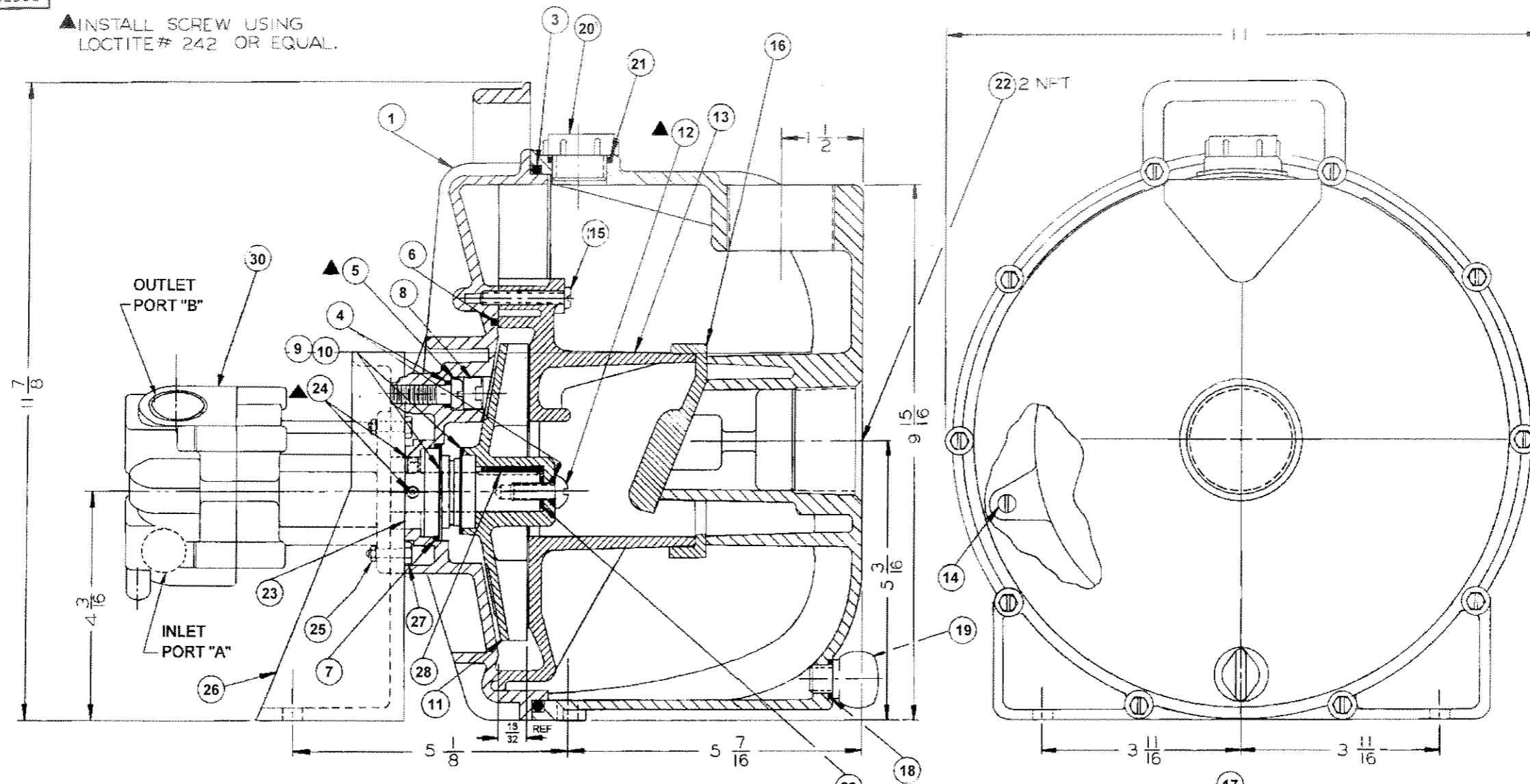
VALVE (PRESSURE REDUCING)

SIMILAR TO _____	(NAME OR INITIAL & DATE)	SCALE ~ CLASS 14CM
SUPERSEDED BY _____	DR: 2/27/H/MS	
REPLACES _____	TR _____	00534428-0002
REPLACED BY _____	CK _____	
	APPD _____	

	Item	Part Number	Description	Qty
	A	00534428-0002	VALVE (PRESSURE REDUCING)	1

00571961-0004

▲INSTALL SCREW USING
LOCTITE # 242 OR EQUAL.



ITEM	DESCRIPTION	REQ'D	PART NO.	ITEM	DESCRIPTION	REQ'D	PART NO.
1	BRACKET	1	01567702-0000 ●	18	O-RING	1	01567702-0013 ●
2	NUT	10	00900201-0002 ●	19	PLUG	1	01567702-0014 ●
3	O-RING	1	01567702-0001 ●	20	PLUG	1	01567702-0015 ●
4	O-RING	5	01567702-0002 ●	21	O-RING	1	01567702-0016 ●
5	SCREW	4	01567702-0003 ●	22	BODY	1	01567702-0017 ●
6	O-RING (SEG)	1	01567702-0004 ●	23	ADAPTER	1	01567702-0018 ●
7	O-RING	1	01567702-0005 ●	24	SET SCREW	2	00900531-0001 ●
8	PLUG	4	01567702-0006 ●	25	KEPNUT (L.NUT)	4	01567702-0019 ●
9-10	SEAL, SHAFT	1	01567702-0007 ●	26	PEDESTAL	1	01567702-0020 ●
11	IMPELLER	1	01567702-0008 ●	27	SCREW	4	00900012-0012 ●
12	SCREW	2	00900335-0516 ●	28	KEY	1	01567702-0021 ●
13	VOLUTE	1	01567702-0009 ●	29	SHIM	1 SET	01567702-0022 ●
14	SCREW (SIDE VOL)	2	01567702-0010 ●	30	HYD. MOTOR	1	00571961-0003 ●
15	SCREW (TOP VOL)	1	01567702-0011 ●				
16	CHECK VALVE	1	01567702-0012 ●				
17	SCREW	10	00905850-0120 ●				

● THESE PARTS ARE AVAILABLE AS
UNASSEMBLED REPAIR KIT 00571961-0005.

This drawing and all information therein is the property of the JOY MANUFACTURING CO. It is loaned without any return rights. It is not to be used directly or indirectly in any way other than for our business.

JOY MANUFACTURING CO.
PLANT LOCATION AS INDICATED BELOW

BIRMINGHAM, AL	LA GRANGE, NC
BUFALO, NY	MICHIGAN CITY, IN
CAMBRIDGE, ONT. CAN.	NEW PHILADELPHIA, OH
CLAREMONT, NH	
EAST KILBRIDE, SCOT.	
FRANKLIN, PA	

SIMILAR TO: _____
SUPERSEDED BY: _____
SUPERSEDED BY: _____
REPLACED BY: _____
APPRO: _____

WATER PUMP

SCALE: 1" = 1" CLASS: 14CM
00571961-0004

DATE: E. D. FCX 196 DATE: REVISIONS: FDC 1950 FDC 3421 FDF 0764 1048822

LITHOPRINT THIS DRAWING

	Item	Part Number	Description	Qty
	A	00571961-0004	PUMP, WATER	1
	1	01567702-0000	BRACKET	1
	2	00900201-0002	NUT, HEX, JAM, GR. 2, 1/4-20	10
	3	01567702-0001	O-RING	1
	4	01567702-0002	O-RING	5
	5	01567702-0003	SCREW	4
	6	01567702-0004	O-RING	1
	7	01567702-0005	O-RING	1
	8	01567702-0006	PLUG	4
	9	01567702-0007	SEAL, SHAFT	1
	11	01567702-0008	IMPELLER	1
	12	00900335-0516	SCREW, MACHINE, GR. 1, 5/16-24 X 3/4	2
	13	01567702-0009	VOLUTE	1
	14	01567702-0010	SCREW	2
	15	01567702-0011	SCREW	1
	16	01567702-0012	VALVE, CHECK	1
	17	00905850-0120	SCREW, MACHINE, GR. 1, 1/4-20 X 1-1/2	10
	18	01567702-0013	O-RING	1
	19	01567702-0014	PLUG	1
	20	01567702-0015	PLUG	1
	21	01567702-0016	O-RING	1
	22	01567702-0017	BODY	1
	23	01567702-0018	ADAPTER	1
	24	00900531-0001	SCREW, SET, 1/4-20 X 1/4	2
	25	01567702-0019	KEPNUT	4
	26	01567702-0020	PEDESTAL	1
	27	00900012-0012	SCREW, CAP, GR. 5, 5/16-18 X 1	4
	28	01567702-0021	KEY	1
	29	01567702-0022	SHIM	1
	30	00571961-0003	MOTOR, HYDRAULIC	1