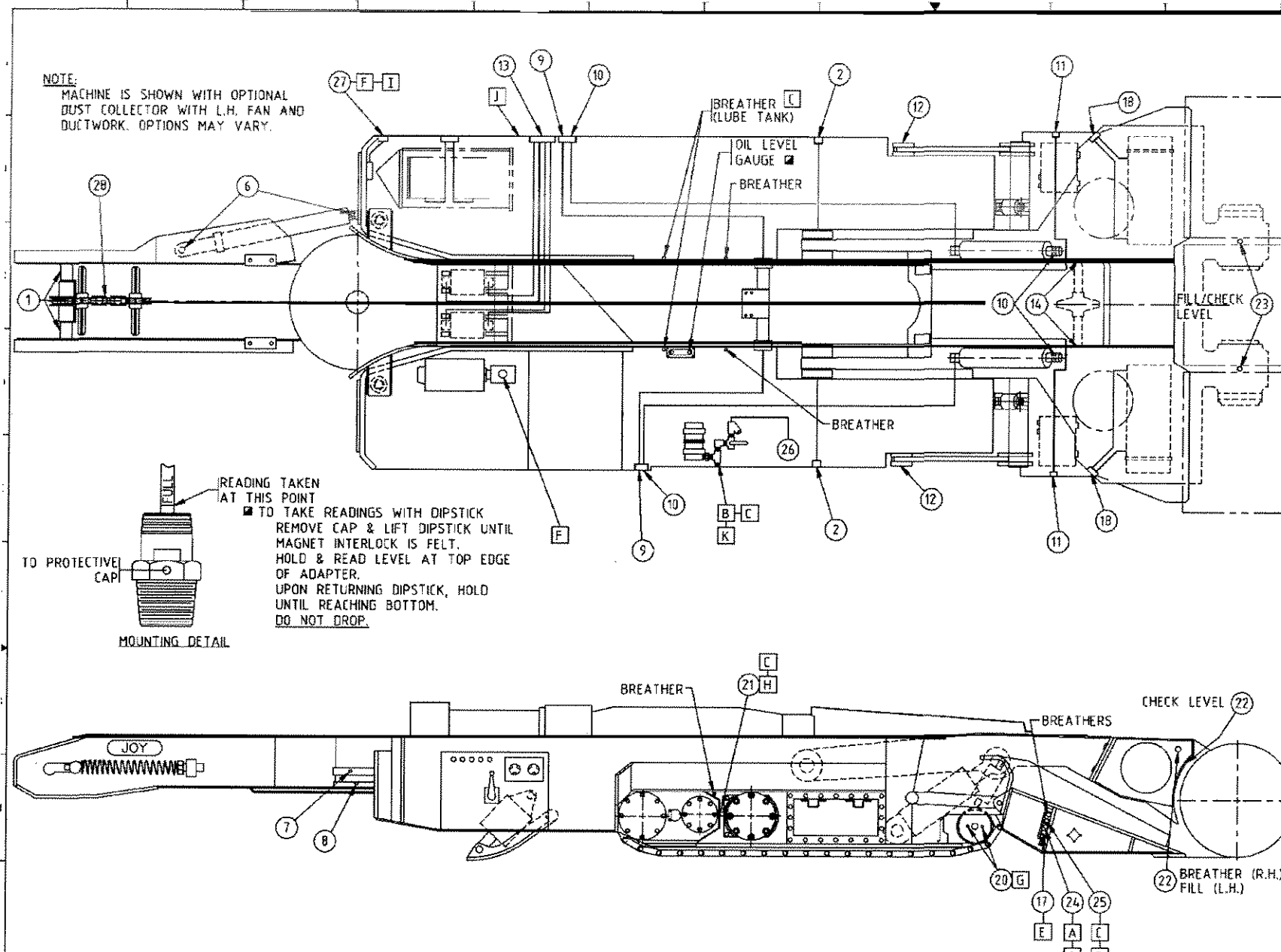
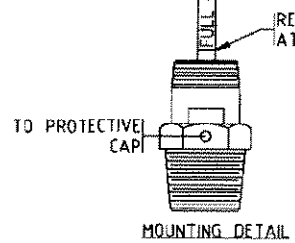


LUBRICATION GROUP

	Description	Page
	DIAGRAM, LUBRICATION	1-10-1
	PIPING, LUBRICATION	1-10-2



NOTE:
MACHINE IS SHOWN WITH OPTIONAL
DUST COLLECTOR WITH L.H. FAN AND
DUCTWORK. OPTIONS MAY VARY.



NO.	LOCATION	LUBE	INTERVAL	CAP.
1	CONVEYOR TAIL ROLLER	BG-H	EVERY 3 SHIFTS	
2	CUTTER BOOM PIVOT (L.H. & R.H.)	BG-H	EVERY SHIFT	
3				
4				
5				
6	CONVEYOR SWING CYL. PINS	BG-H	EVERY 3 SHIFTS	
7	CONVEYOR HINGE PIN (R.H. TOP)	BG-H	EVERY SHIFT	
8	CONVEYOR HINGE PIN (R.H. BOTTOM)	BG-H	EVERY SHIFT	
9	REAR CONVEYOR PIVOT (L.H. & R.H.)	BG-H	EVERY 3 SHIFTS	
10	SHEAR CYLINDER (L.H. & R.H.)	BG-H	EVERY SHIFT	
11	GATH. HD. PIVOT (L.H. & R.H.)	BG-H	EVERY SHIFT	
12	GATH. HD. OUTBOARD HINGE (WHERE USED)	BG-H	EVERY SHIFT	
13	STABILIZER CYLINDERS	BG-H	EVERY 3 SHIFTS	
14	FOOT ROLLER	BG-H	EVERY 6 MONTHS	
15	DUST COLLECTOR FAN	BG-M	EVERY 60 SHIFTS	
16				
17	GATH. HD. MOTOR (L.H. & R.H.)	BG-M	EVERY 20 SHIFTS	
18	CUTTER MOTOR (L.H. & R.H.)	BG-M	EVERY 20 SHIFTS	
19				
20	TRACK IDLER (L.H. & R.H.)	TO-HEP	EVERY 10 SHIFTS	2 PINS
21	TRACK PLANETARY & REDUCER CASE (L.H. & R.H.)	TO-HEP	KEEP FILLED TO LEVEL EVERY SHIFT	6 GAL. EACH
22	CUTTER HEAD GEAR CASE	TO-HEP	KEEP FILLED TO LEVEL EVERY SHIFT	22 GAL.
23	CUTTER HEAD DRUM CASE (L.H. & R.H.)	TO-HEP	KEEP HALF FULL EVERY SHIFT	3 GAL. EACH
24	GATHERING HEAD REDUCER CASE CASE (L.H. & R.H.)	TO-HEP	KEEP FILLED TO LEVEL EVERY SHIFT	2-1/2 GAL.
25	GATHERING HEAD GEARCASE (L.H. & R.H.)	TO-HEP	KEEP FILLED TO LEVEL EVERY SHIFT	3 GAL. EACH
26	GEARCASE FILL LUBRICATION SYSTEM	TO-HEP	KEEP FILLED TO LEVEL EVERY SHIFT	12 GAL.
27	HYDRAULIC SYSTEM	HO-S	KEEP FILLED TO LEVEL EVERY SHIFT	72 GAL.
28	CONVEYOR CHAIN	WASTE OIL	OIL WHILE CHAIN IS RUNNING	

- A. FILL AND CHECK LEVEL AT THIS PORT. DO NOT OVERFILL GEARCASES.
- B. OPTIONAL EQUIPMENT. REFER TO NOTES "C" & "K".
- C. THESE GEARCASES AND REDUCERS MAY BE FILLED USING THE OPTIONAL GEARCASE FILL LUBRICATION SYSTEM. REFER TO S/O FOR CORRECT POWER LUBRICATION DRAWING.
- D. FILL UNTIL LUBRICANT FLOWS OUT OF BREATHER.
- E.
- F. CLEAN MAGNET EVERY 15 SHIFTS HYDRAULIC AND LUBRICATION SYSTEMS.
- G. REMOVE BOTH PLUGS, LUBRICATE ONE PORT UNTIL OIL FLOWS OUT OTHER PORT.
- H. FILL AND ALLOW TO SET FOR 5 MIN. TO ASSURE THAT CASE HAS FILLED TO CHECK LEVEL.
- I. FILL HYDRAULIC SYSTEM THRU INJECTOR FILL UNTIL PROPER LEVEL IS INDICATED ON DIPSTICK OR SIGHT GAUGE. ONLY MACHINES WITH CHASSIS CROSSOVER DUCTWORK ARE EQUIPPED WITH SIGHT GAUGES.
- J. FLUID FLOWING OUT OF THIS LINE INDICATES DEFECTIVE SEALS IN THE HYDRAULIC PUMP.
- K. FILL OPTIONAL GEARCASE LUBE RESEVOIR THRU FILL POINT PROVIDED AT R.H. SIDE OF MACHINE. OIL WILL PASS THRU FILTER UNTIL OIL FLOWS OUT OF LUBE SYSTEM BREATHER.

LUBRICATION NOTES:

1. USE BG-M IN ALL ELECTRIC MOTORS WITH BG-Y AS THE ONLY ALTERNATE.
2. FOR MOTOR APPLICATIONS WHERE GREASE TEMPERATURES EXCEED 350° USE BG-Y.
3. USE BG-Y OR BG-M AS ALTERNATES FOR BG-H FOR GENERAL CHASSIS LUBE.
4. USE TO-SHEP AS ALTERNATE TO TO-HEP FOR CUTTER HEAD GEARCASE.

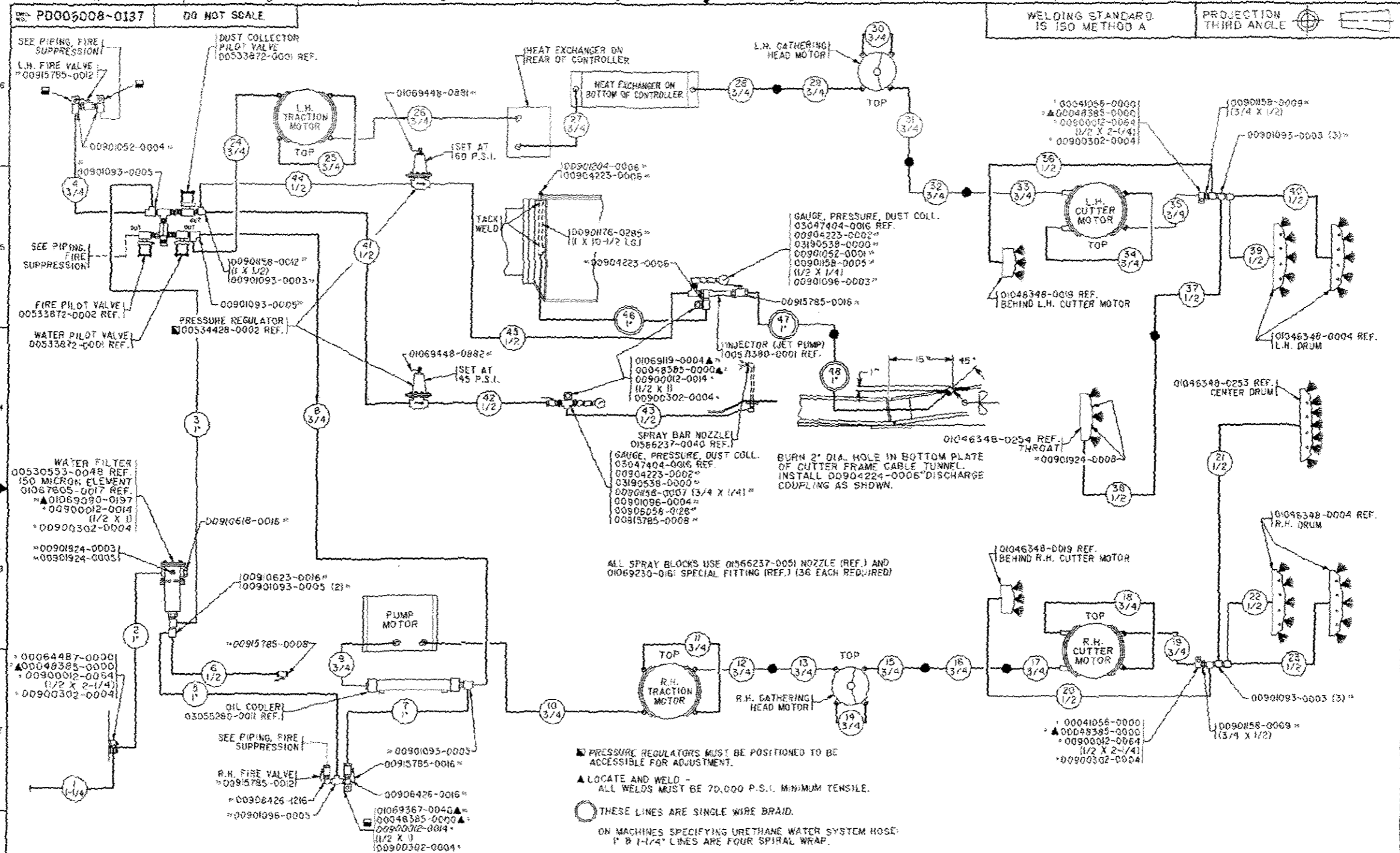
CAUTION:
DO NOT USE LIBRICANTS CONTAINING EXTREME PRESSURE (EP) ADDITIVES. DOING SO WILL VOID WARRANTY.

ALL CHECK LEVEL TESTS SHOULD BE MADE WITH THE MACHINE IN POSITION SHOWN.

UNDER SEVERE CUTTING CONDITIONS, LUBE IN CUTTER HEAD GEARCASE SHOULD BE CHANGED EVERY 60 SHIFTS.

CAUTION: MIXING LUBRICANTS SUPPLIED BY DIFFERENT VENDORS IN THE SAME APPLICATION MAY AFFECT LUBRICANT PERFORMANCE. PROPER PRECAUTIONS, SUCH AS FLUSHING OR DRAINING LUBRICANT BEFORE USING DIFFERENT SUPPLIER'S LUBRICANT, IS RECOMMENDED TO AVOID PROBLEMS.

JOY MINING MACHINERY 1998 ALL RIGHTS RESERVED THIS DRAWING IS THE PROPERTY OF JOY MINING MACHINERY AND IS CONFIDENTIAL. IT IS ISSUED SUBJECT TO THE CONDITIONS THAT: (1) THE INFORMATION OR ANY PART THEREOF CONTAINED IN IT SHALL NOT BE DISCLOSED IN ANY FORM TO A THIRD PARTY. (2) IT OR ANY PART OF IT SHALL NOT BE REPRODUCED IN ANY FORM.	GENERAL NOTES		FINISH SYMBOLS		TOLERANCES UNLESS OTHERWISE STATED		MANUFACTURING SPECIFICATIONS		MATERIAL		SEE TABLE		VERSION		02	
	1. WELDING SYMBOLS STANDARD TO ISO 2553 METHOD A. 2. REMOVE ALL BURRS & SHARP EDGES. 3. ALL DIMENSIONS IN MILLIMETERS UNLESS OTHERWISE STATED. 4. THIRD ANGLE PROJECTION		SYM MICRO m SYM MICRO m N3 0.1 N8 3.2 N4 0.2 N9 6.3 N5 0.4 N10 12.5 N6 0.8 N11 25 N7 1.6	MACHINING ±0.5 ANGULAR ±1/2° FABRICATION & STRUCTURAL UP TO 300 ±1 301 UP TO 1000 ±2 1001 UP TO 2000 ±3 OVER 2000 ±5	PROTECT TREATMENT FABRICATION TOL'S MACHINING TOL'S FINISH SPEC MANUFACTURING SPEC WELDING SPEC HEAT TREATMENT HARDNESS	MATERIAL CODE ESTIMATED WEIGHT PLATE INDICATOR REPLACED BY SIMILAR TO	WEIGHT UNITS kg DRW USE X	CHANGE NO. 1068919 DRAWN BY R. JOLLEY CAD SYSTEM AUTOCAD DATE 03/1999 SCALE NTS SHEET 1 OF 1 MACHINE MODEL 14CM09/15	DESIGN LOCATION FRANKLIN, PENNSYLVANIA DESCRIPTION 14CM15-36"/38" CUTTING DIAMETER DWG. NO. 5000001060	05						



ENG ORDER (07059408)	E.O. CHANGE	DATE ISSUED	TOLERANCE TO BE AS SPECIFIED BELOW UNLESS OTHERWISE STATED ALL DIMENSIONS IN MILLIMETERS UNLESS OTHERWISE STATED	FINISH SYMBOLS	DATE: 02-23-96	PLANT LOCATION: FRANKLIN PENNSYLVANIA
MATERIAL	CONFIDENTIAL		ALL DIMENSIONS IN INCHES UNLESS OTHERWISE STATED		DATE: 02-26-96	TITLE: PIPING, WATER
HEAT TREAT	PATTERN NO	DWG. DIMS IMPERIAL	FRACTIONAL DIMENSIONS UP TO 1/2" 1/32" 1/2" TO 1" 1/16" 1" TO 2" 1/8" OVER 2" 1/4"		DATE: 02-26-96	SCALE: NONE CLASS: 14CMB
HARDNESS CARBURIZE (CC)		METRIC			DATE: 02-26-96	DWG. NO. PD005008-0137

PIPING, LUBRICATION

	Item	Part Number	Description	Qty
	A	00720472-0124	PIPING, LUBRICATION	1
	1	00041056-0000	COUPLING	2
	2	00048385-0000	BLOCK	9
	3	00064487-0000	COUPLING	1
	4	00900012-0014	SCREW, CAP, GR. 5, 1/2-13 X 1	7
	5	00900012-0064	SCREW, CAP, GR. 5, 1/2-13 X 2-1/4	4
	6	00900302-0004	WASHER, LOCK, 1/2	11
	7	00900716-0013	ADAPTER, 1/2 NPTF X 1/2 MPT	11
	8	00900716-0017	ADAPTER, 3/4 NPTF X 3/4 MPT	9
	9	00900716-0021	ADAPTER, 1 NPTF X 1 MPT	6
	10	00900716-0029	ADAPTER, 3/4 NPTF X 1/2 MPT	1
	11	00900716-0031	ADAPTER, 1 NPTF X 3/4 MPT	2
	12	00900718-0004	ADAPTER, 1/2 NPTF X 1/2 MPT	2
	13	00900718-0005	ADAPTER, 3/4 NPTF X 3/4 MPT	14
	14	00900718-0006	ADAPTER, 1 NPTF X 1 MPT	1
	15	00900718-0007	ADAPTER, 1-1/4 NPTF X 1-1/4 MPT	1
	16	00901052-0001	ELBOW, STREET, 90 X 1/4 NPTF X 1/4 NPTF	1
	17	00901052-0003	ELBOW, STREET, 90 X 1/2 NPTF X 1/2 NPTF	1
	18	00901052-0004	ELBOW, STREET, 90 X 3/4 NPTF X 3/4 NPTF	2
	19	00901093-0003	TEE, SERVICE, 1/2 NPTF	7
	20	00901093-0005	TEE, SERVICE, 1 NPTF	5
	21	00901096-0003	TEE, 1/2 NPTF	1
	22	00901096-0004	TEE, 3/4 NPTF	1
	23	00901096-0005	TEE, 1 NPTF	1
	24	00901158-0005	BUSHING, 1/2 NPT X 1/4 NPT	1
	25	00901158-0007	BUSHING, 3/4 NPT X 1/4 NPT	1
	26	00901158-0009	BUSHING, 3/4 NPT X 1/2 NPT	2
	27	00901158-0012	BUSHING, 1 NPT X 1/2 NPT	2
	28	00901176-0221	NIPPLE, XS, 3/4 X 7 LG	8
	29	00901176-0248	NIPPLE	4
	30	00901176-0285	NIPPLE, XS, 1 X 10-1/2 LG	1
	31	00901204-0006	PLUG, SQ. HD., 1 NPT	1
	32	00901204-0007	PLUG, SQ. HD., 1-1/4 NPT	1
	33	00901924-0003	PLUG, HEX SOC, 1/4" NPT	1
	34	00901924-0005	PLUG, HEX SOC., 1/2 NPTF	1
	35	00901924-0008	PLUG, HEX SOC., 1-1/4 NPTF	2
	36	00903686-0006	ELBOW, 90 X 1/2 NPTF X 1/2 MPT	14
	37	00903686-0007	ADAPTOR, 90 DEG	1
	38	00903686-0008	ELBOW, 90 X 3/4 NPTF X 3/4 MPT	4
	39	00903686-0010	ELBOW, 90 X 1 NPTF X 1 MPT	4
	40	00903686-1612	ELBOW	2
	41	00903686-1620	ELBOW, 90 X 1 NPTF X 1-1/4 MPT	1
	42	00903687-0004	ADAPTOR, 135, 3/4" NPT, M, 3/4" NPSM, F/S	5
	43	00903687-0005	ADAPTOR, 135, 1" NPT, M, 1" NPSM, F/S	1

PIPING, LUBRICATION

	Item	Part Number	Description	Qty
	44	00903697-0008	ELBOW, 90 X 3/4 NPTF X 3/4 MPT	17
	45	00904223-0002	COUPLING, 1/4 NPTF	2
	46	00904223-0006	COUPLING, 1 NPTF	2
	47	00904224-0006	HALF COUPLING 1" NPTF	1
	48	00906058-0012	NIPPLE, HEX, 3/4 NPTF X 3/4 NPTF	4
	49	00906058-0128	NIPPLE, HEX, 3/4 NPTF X 1/2 NPTF	1
	50	00906426-0016	ELBOW, 90 X 1 NPTF X 1 NPTF	1
	51	00906426-1216	ELBOW, 90 X 3/4 NPTF X 1 NPTF	1
	52	00910618-0016	PLUG, 1 "O"	1
	53	00910623-0016	ADAPTER, 1 "O" X 1 NPTF	1
	54	00912772-1616	ADAPTER, 1 "O" X 1 MPT	1
	55	00914508-0036	HOSE,ASSY	3
	56	00914508-0048	HOSE, ASSEMBLED, #8, MPT, CRIMP, DWB	2
	57	00914508-0060	HOSE, ASSEMBLED, #8, MPT, CRIMP, DWB	6
	58	00914508-0072	HOSE, ASSEMBLED, #8, MPT, CRIMP, DWB	4
	59	00914512-0010	HOSE, ASSEMBLED, #12, MPT, CRIMP, DWB	2
	60	00914512-0024	HOSE, ASSEMBLED, #12, MPT, CRIMP, DWB	1
	61	00914512-0036	HOSE,ASSY	3
	62	00914512-0048	HOSE, ASSEMBLED, #12, MPT, CRIMP, DWB	9
	63	00914512-0060	HOSE, ASSEMBLED, #12, MPT, CRIMP, DWB	3
	64	00914512-0072	HOSE, ASSEMBLED, #12, MPT, CRIMP, DWB	4
	65	00914512-0084	HOSE, ASSEMBLED, #12, MPT, CRIMP, DWB	2
	66	00914512-0096	HOSE, ASSEMBLED, #12, MPT, CRIMP, DWB	3
	67	00914516-0036	HOSE,ASSY	1
	68	00914516-0060	HOSE, ASSEMBLED, #16, MPT, CRIMP, DWB	1
	69	00914516-0096	HOSE,ASSY	2
	70	00914520-0072	HOSE, ASSEMBLED, #20, MPT, CRIMP, DWB	1
	71	00926816-0048	HOSE, ASSEMBLED, #16, MPT, CRIMP, DWB	1
	72	00926816-0060	HOSE, ASSEMBLED, #16, MPT, CRIMP, DWB	1
	73	00926816-0072	HOSE, ASSEMBLED, #16, MPT, CRIMP, DWB	1
	74	00915785-0008	VALVE, BALL, 1/2 NPT	2
	75	00915785-0012	VALVE, BALL, 3/4 NPT	2
	76	00915785-0016	VALVE,BALL,1"NPT	2
	77	00917775-1212	NIPPLE,HEX,3/4	7
	78	01069090-0197	BOSS	2
	79	01069119-0004	BRACKET, ANGLE	2
	80	01069367-0040	KEEPER	3
	81	01069448-0881	PLATE, IDENTIFICATION (JET PUMP)	1
	82	01069448-0882	PLATE,IDENTIFICATION(SPRAY BAR)	1
	83	03190538-0000	VALVE, NEEDLE, CONTROL	2

LOOSE PARTS GROUP

	Description	Page
	LIST, TOOL	1-11-1
	TOOL, SPECIAL, GLAND ASS'Y	1-2-51

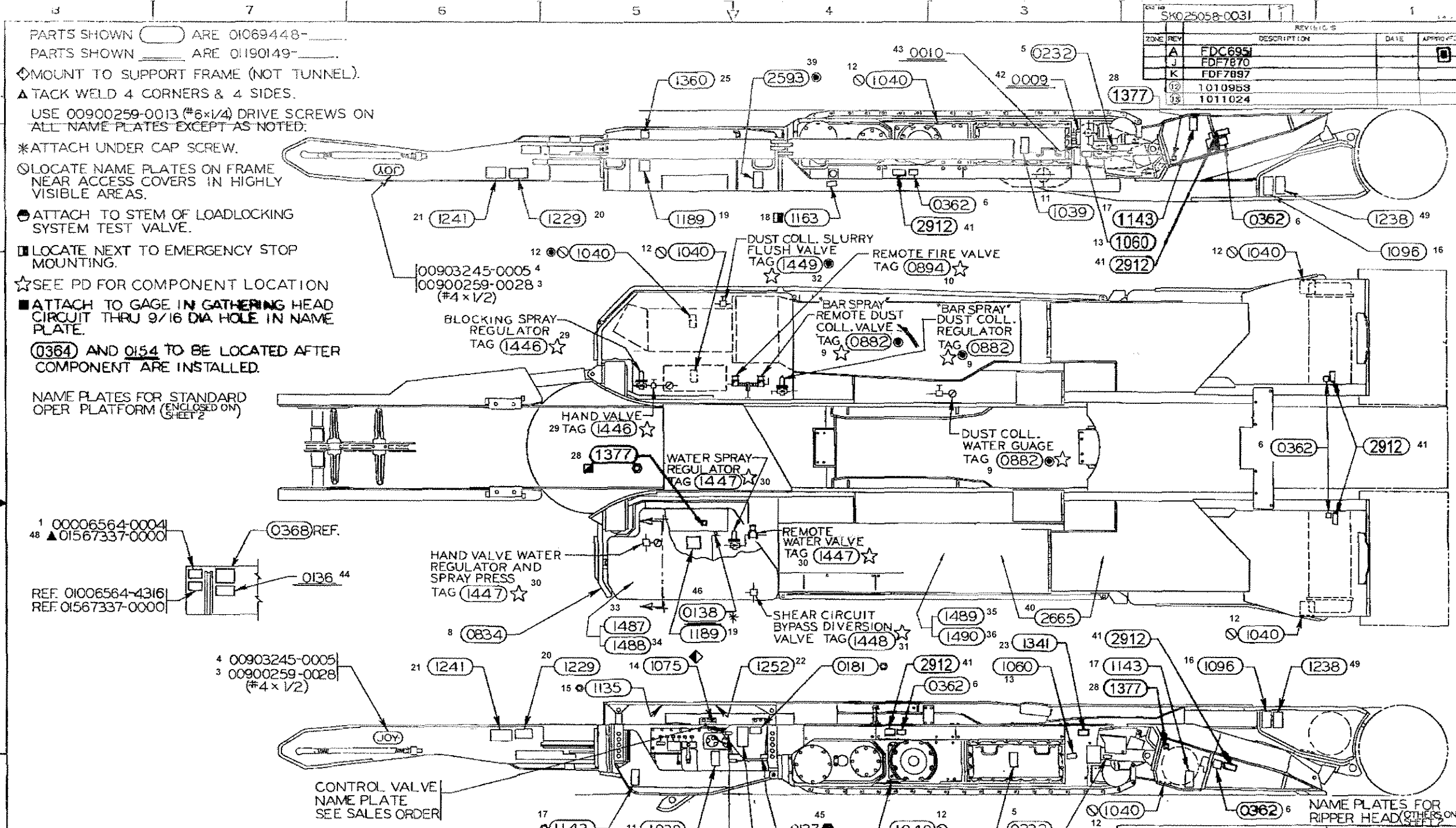
SEE BOM 00700045-0222

© JOY MINING MACHINERY 1998 ALL RIGHTS RESERVED. THIS DRAWING IS THE PROPERTY OF JOY MINING MACHINERY AND IS CONFIDENTIAL. IT IS ISSUED SUBJECT TO THE CONDITIONS THAT: (1) THE INFORMATION OR ANY PART THEREOF CONTAINED IN IT SHALL NOT BE DISCLOSED IN ANY FORM TO A THIRD PARTY. (2) IT OR ANY PART OF IT SHALL NOT BE REPRODUCED IN ANY FORM.	GENERAL NOTES		FINISH SYMBOLS		TOLERANCES UNLESS OTHERWISE STATED		MANUFACTURING SPECIFICATIONS		MATERIAL		VERSION	01	A2 DESIGN LOCATION Franklin, PA USA	SHEET NO. 05		
	1. WELDING SYMBOLS STANDARD TO ISO 2553 METHOD A. 2. REMOVE ALL BURRS & SHARP EDGES. 3. ALL DIMENSIONS IN MILLIMETERS UNLESS OTHERWISE STATED. 4. THIRD ANGLE PROJECTION		SYM	MICRO	SYM	MICRO	MACHINING	±0.0	PROTECT TREATMENT	MATERIAL CODE	WEIGHT UNITS	CHANGE NO.			1083099	
			N3	0.1	N5	0.2	ANGULAR	±12°	FABRICATION TOL'S	ESTIMATED WEIGHT	DRAWN BY	C. FLETCHER			CAD SYSTEM	AUTOCAD RASTER
			N4	0.2	N6	0.3	FABRICATION & STRUCTURAL		FINISH SPEC	PLATE INDICATOR	DATE	MAY 27, 2004			SCALE	SHEET
N5	0.4	N15	12.5	UP TO 300	±1	MANUFACTURING SPEC	REPLACED BY			MACHINE MODEL	14CM	DWG. NO.	5000021305			
N6	0.8	N11	25	301 UP TO 1800	±2	WELDING SPEC	SIMILAR TO									
N7	1.6			1001 UP TO 2000	±3	HEAT TREATMENT										
				OVER 2000	±5	HARDNESS										

LIST, TOOL

	Item	Part Number	Description	Qty
	A	00700045-0222	LIST, TOOL	1
	1	00061799-0000	SHIM	3
	2	00064522-0000	WRENCH	1
	3	00809915-0000	TAPE, 3/4, GLASS MICA MYLAR	1
	4	00809916-0000	TAPE, 3/4. ADHESIVE GLASS CLOTH	1
	5	00809921-0000	TAPE, 3/4, FIBERGLASS (36 YD. ROLL)	1
	6	00906667-0136	TOOL, SEAL	1
	7	00906667-0137	TOOL, SEAL	1
	8	00906667-0148	TOOL, SEAL	1
	9	01069533-0373	SHIM,SPECIAL	2
	10	01069533-0374	SHIM,SPECIAL	2
	11	01069533-0375	SHIM,SPECIAL	2
	12	01069533-0376	SHIM,SPECIAL	2
	13	01069533-0377	SHIM,SPECIAL	2
	14	01069624-0008	TOOL, SPECIAL, 24MM	1
	15	01566392-0007	TOOL, INSTALLER, RING, HOG	1
	16	01567332-0000	INSTALLER, RING , HOG	1
	17	01567333-0000	INSTALLER, RING, HOG	1
	18	01567663-0000	TOOL, REMOVER, RING, HOG	1
	19	03069624-0013	TOOL, SPECIAL, GLAND ASS'Y	1

	Description	Page
	LIST, PLATE, NAME	1-12-1



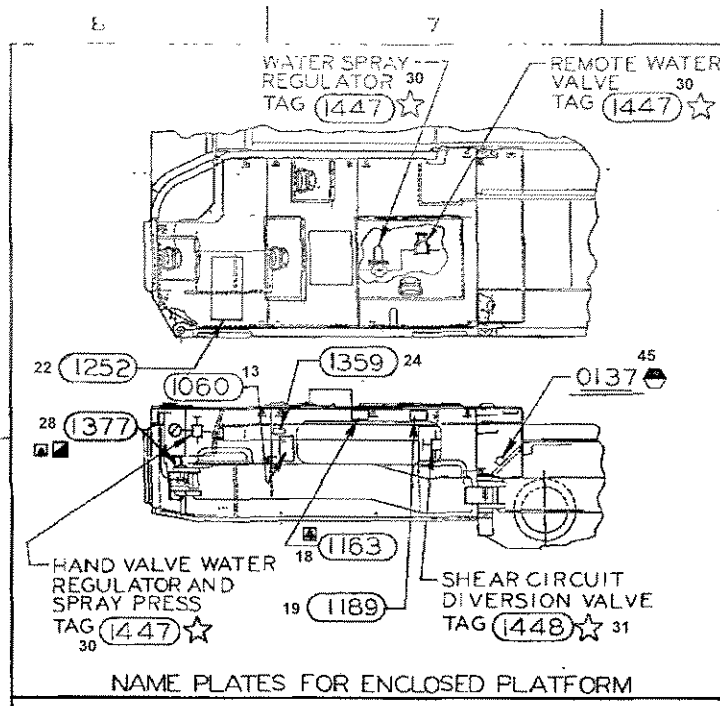
REV. NO.		SK025058-0031	REV. DATE	APPROVED
ZONE	REV.	DESCRIPTION	DATE	APPROVED
A		FDC6951		
J		FD7870		
K		FD7897		
	12	1010953		
	13	1011024		

00700054-0366	WITH	ENCLOSED	FDC6951	FDE1507	FDE7768	FDE9466	FD7870	FD7897	1010953	1011024
00700054-0365	WITH	STANDARD	FDC6951	FDE1507	FDE7768	FDE9466	FD7870	FD7897	1010953	1011024
00700054-0364	WITHOUT	ENCLOSED	FDC6951	FDE1507	FDE9466	FD7870	FD7897	1010953	1011024	
00700054-0363	WITHOUT	STANDARD	FDC6951	FDE1507	FDE9466	FD7870	FD7897	1010953	1011024	
BILL OF MAT'L	FBDC	OPER PLATFORM	REL EO	REV EO	REV EO	REV EO	REV EO	REV EO	REV EO	REV EO

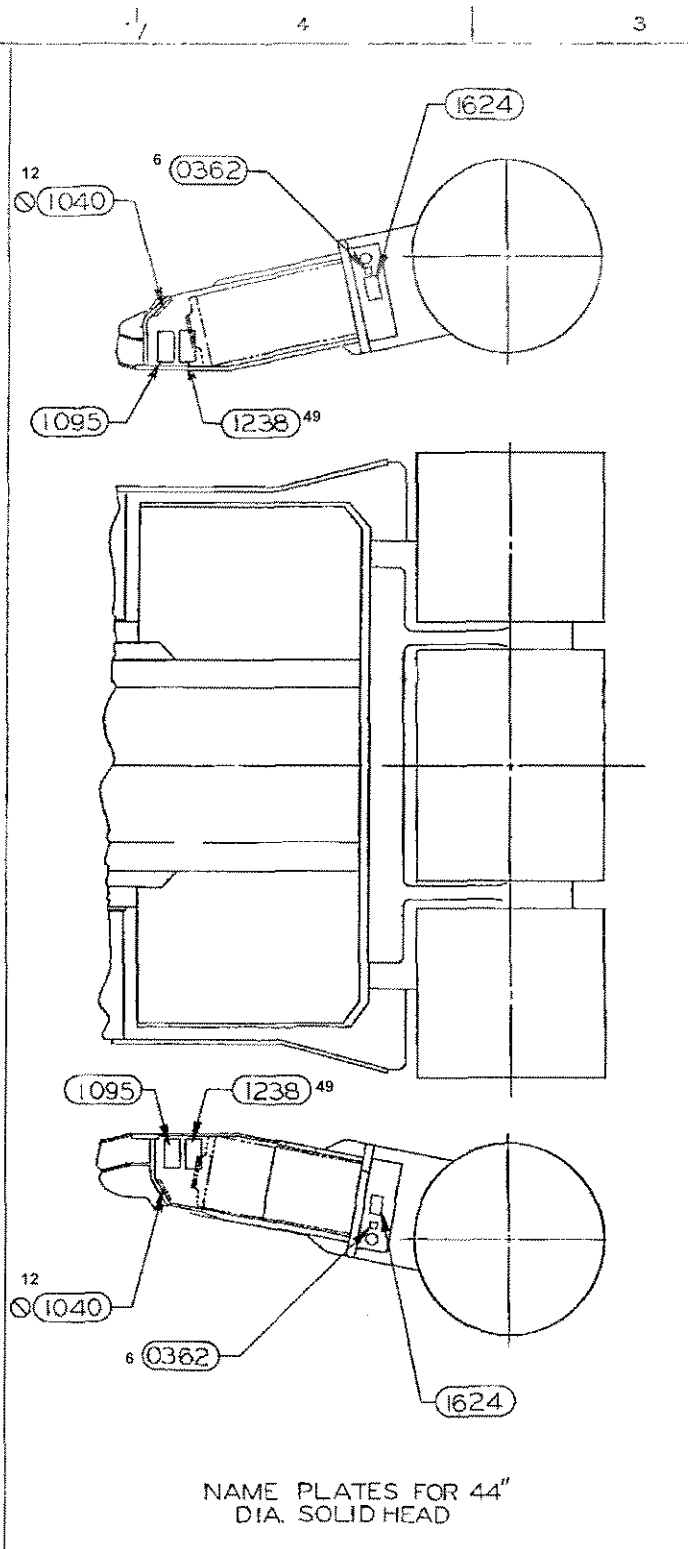
MATERIAL		HEAT TREAT	
YES LITHOPRINT		CARBURIZE (CCU)	
CLASS 14CM		HARDNESS	
SIMILAR TO			
DRAYER	DATE	JOY TECHNOLOGIES INC.	
J. GILLILAND		FRANKLIN, PENNA. 16323	
CHECKER	DATE	NAME PLATE LOCATIONS	
		14CM9, 01215	
ENGINEER	DATE	DUAL CONV DRIVE	
APPROVAL	DATE		
SIZE	PROJ. NO.	SK025058-0031	
D	75003		
SCALE	WGT.	SHEET 1 OF 2	

UNLESS OTHERWISE NOTED, ALL DIMENSIONS IN INCHES; MACHINING DIMENSIONS LIMITED TO FRACTIONAL 31/64. ANGULAR DIMENSIONS LIMITED TO 1/16. DO NOT SCALE THIS DRAWING.

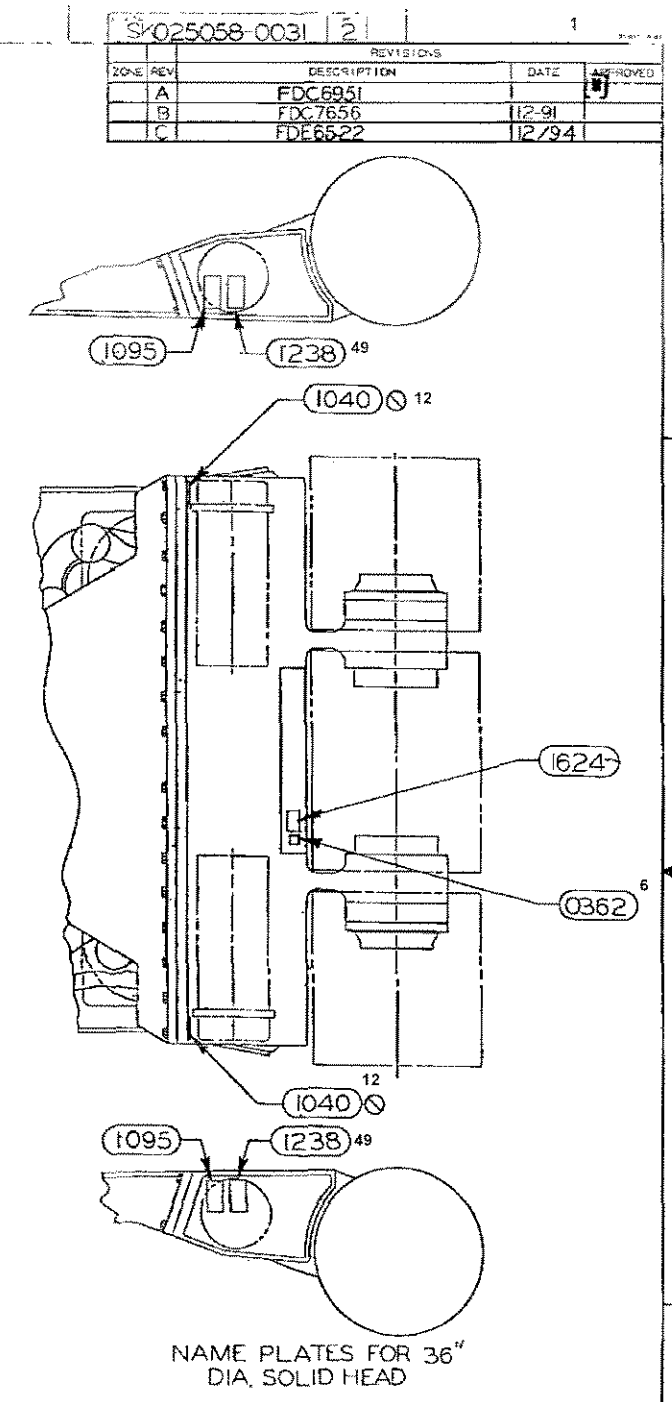
THIS DRAWING AND ALL INFORMATION THEREIN IS THE PROPERTY OF AND CONFIDENTIAL TO JOY TECHNOLOGIES INCORPORATED. IT MUST NOT BE MADE PUBLIC OR COPIED, REPRODUCED, LOANED, SUBJECT TO RETURN UPON DEMAND. IT IS NOT TO BE USED DIRECTLY OR INDIRECTLY IN ANY WAY DETRIMENTAL TO THE INTERESTS OF JOY TECHNOLOGIES INCORPORATED.



NAME PLATES FOR ENCLOSED PLATFORM



NAME PLATES FOR 44" DIA. SOLID HEAD



NAME PLATES FOR 36" DIA. SOLID HEAD

REV		DESCRIPTION	DATE	APPROVED
A		FDC6951		
B		FDC7656	12-91	
C		FDE6622	12-94	

LITHOPRINT THIS DRAWING

SEE SHEET 1 FOR NOTES & BM'S

ALL WELDS MUST BE 70,000 MINIMUM TENSILE.

MATERIAL		PATTERN NO.	
HEAT TREAT		SIMILAR TO	
CARBURIZE (ECD)		JOY TECHNOLOGIES INC.	
HARDNESS		FRANKLIN, PENNA. 16323	
YES LITHOPRINT	CLASS 14CM	NAME PLATE LOCATIONS	
DRAFTER	DATE	14CM9,10,12,15	
J. GILLILAND		DUAL CONV. DRIVE	
CHECKER	DATE	SIZE FISH NO.	
		D75003 SK025058-0031 C	
ENGINEER	DATE	SCALE	
		2 OF 2	

LESS OTHER INDICATION ALL DIMENSIONS IN INCHES; MACHINING DIMENSIONS LIMITED TO FRACTIONAL 1/32". THIS DRAWING AND ALL INFORMATION THEREON IS THE PROPERTY OF AND CONFIDENTIAL TO JOY TECHNOLOGIES INCORPORATED. IT MUST NOT BE MADE PUBLIC OR COPIED, IN WHOLE OR IN PART, WITHOUT THE WRITTEN PERMISSION OF JOY TECHNOLOGIES INCORPORATED. IT IS NOT TO BE USED DIRECTLY OR INDIRECTLY IN ANY WAY DETRIMENTAL TO THE INTERESTS OF JOY TECHNOLOGIES INCORPORATED.

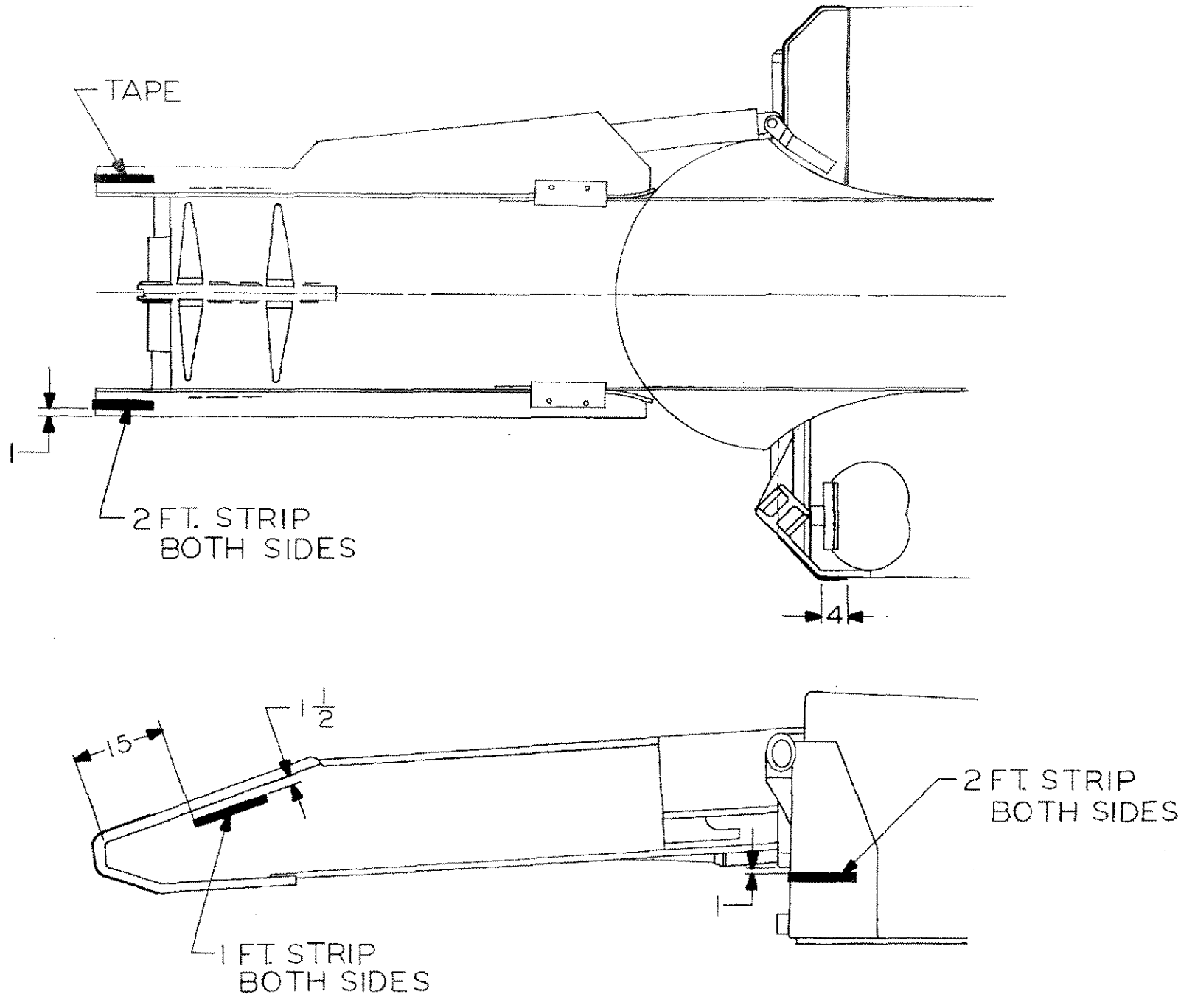
NAME PLATE LOCATIONS 14CM9, 10, 12, 15 DUAL CONV DRIVE

	Item	Part Number	Description	Qty
	A	00700054-0366	NAME PLATE LOCATIONS 14CM9, 10, 12, 15 DUAL CONV DRIVE	1
	1	00006564-0004	PLATE, APPROVAL (ENGLISH)	1
	2	00900259-0013	SCREW, MACHINE, NO. 6 X 1/4	204
	3	00900259-0028	SCREW, MACHINE, NO. 14 X 1/2	4
	4	00903245-0005	PLATE, NAME, JOY LOGO	2
	5	01069448-0232	PLATE, NAME (HYD TAKE-UP)	2
	6	01069448-0362	PLATE, NAME (FILL & CHECK)	6
	7	01069448-0364	PLATE, NAME (FIRE SUPPRESSION RELEASE)	1
	8	01069448-0834	PLATE, NAME (CAUTION)	1
	9	01069448-0882	PLATE, NAME (SPRAY BAR)	3
	10	01069448-0894	PLATE, NAME	1
	11	01069448-1039	PLATE, NAME (DANGER)	3
	12	01069448-1040	PLATE, NAME (POWER DANGER)	6
	13	01069448-1060	PLATE, NAME (RELIEF PRESSURE)	3
	14	01069448-1075	PLATE, NAME (CONV. GUARD WARNING)	1
	15	01069448-1135	PLATE, NAME (WARNING, OPERATOR STATION)	1
	16	01069448-1096	PLATE, NAME	2
	17	01069448-1143	PLATE, NAME (FOOT WARNING)	3
	18	01069448-1163	PLATE, NAME	1
	19	01069448-1189	PLATE, NAME	2
	20	01069448-1229	PLATE, NAME (POWER OFF, PROP CONVEYOR)	2
	21	01069448-1241	PLATE, NAME (STAY CLEAR)	2
	22	01069448-1252	PLATE, NAME (SAFETY INST.)	1
	23	01069448-1341	PLATE, NAME (DIVERSION VALVE-POWER FILL	1
	24	01069448-1359	PLATE, NAME (PRESSURE CHECK)	1
	25	01069448-1360	PLATE, NAME	1
	26	01069448-1368	PLATE, NAME (GATH. HEAD SEQUENCE)	1
	27	01069448-1369	PLATE, NAME (SHEAR COUNTER BALANCE)	1
	28	01069448-1377	PLATE, NAME (BLEED GATH. HEAD) (ENGLISH)	3
	29	01069448-1446	PLATE, NAME	2
	30	01069448-1447	PLATE, NAME	3
	31	01069448-1448	PLATE, NAME	1
	32	01069448-1449	PLATE, NAME	1
	33	01069448-1487	PLATE, NAME, 'WATER FILTER INLET'	1
	34	01069448-1488	PLATE, NAME, 'WATER FILTER OUTLET'	1
	35	01069448-1489	PLATE, NAME, 'RIGHT'	1
	36	01069448-1490	PLATE, NAME, 'LEFT'	1
	37	01069448-1978	PLATE, NAME	1
	38	01069448-1986	PLATE, NAME	1
	39	01069448-2593	PLATE, NAME (DUST COLLECTOR CFM MAINT.)	1
	40	01069448-2665	PLATE, NAME	1
	41	01069448-2912	PLATE, NAME (TRANSMISSION OIL)	6
	42	01190149-0009	PLATE, NAME (LOW OIL LEVEL)	1
	43	01190149-0010	PLATE, NAME (HIGH OIL LEVEL)	1

NAME PLATE LOCATIONS 14CM9, 10, 12, 15 DUAL CONV DRIVE

	Item	Part Number	Description	Qty
	44	01190149-0136	PLATE, NAME (LOADLOCK) (ENGLISH)	1
	45	01190149-0137	PLATE, NAME (TEST DAILY) (ENGLISH)	1
	46	01190149-0138	PLATE, NAME (LOAD LOCKING) (ENGLISH)	1
	47	01190149-0154	PLATE, NAME (BY-PASS VALVE)	1
	48	01567337-0000	HOLDER, PLATE	1
	49	01069448-1238	PLATE, NAME (MOVING MACHINE WARNING)	2

	Description	Page
	LOCATIONS, REFLECTIVE TAPE	1-13-1



CONFIDENTIAL NO <input checked="" type="checkbox"/> YES <input type="checkbox"/>		JOY MANUFACTURING CO. PLANT LOCATION AS INDICATED BELOW		REFLECTIVE TAPE LOCATION	
		BUFFALO, N. Y.	NEW PHILADELPHIA, O.	SIMILAR TO:	DR. J. CORNOR
		CLAWSON, N. M.		SUPERSEDED BY:	TR. 12-9-71
		FRANKLIN, PA.		REPLACED BY:	JCM736
		SALT, ONTARIO, CAN.		REPLACED BY:	
		GREENOCK, SCOTLAND		APPRO:	
		MICHAEL CITY, IND.			

MISCELLANEOUS

	Item	Part Number	Description	Qty
	1	00601555-0016	TRANSFORMER, CUTTER MOTOR FEEDBACK	1
	2	00601547-0075	HEATER, MOTOR, PUMP	2
	3	00601547-0081	HEATER, MOTOR, CONVEYOR	4
	4	00601547-0093	HEATER, MOTOR, TRACTION	6
	5	00601547-0026	HEATER, MOTOR, CUTTER	4
	6	00603120-0035	STATION, REMOTE CONTROL	1
	7	00601843-0144	TRANSMITTER, REMOTE CONTROL, RADIO	1
	8	00601843-0143	RECEIVER, REMOTE CONTROL, RADIO	1
	9	00570452-0051	CABLE, REMOTE CONTROL	1
	10	00601577-0192	MONITOR, METHANE	1
	11	00534087-0002	STAND-OFF, TRAILING CABLE	1
	12	00572001-0337	DRUM, CUTTER, R.H.	1
	13	00572002-0337	DRUM, CUTTER, L.H.	1
	14	00572003-0236	DRUM, CUTTER, CENTER	1
	15	00507335-2114	FRAME, SUPPORT	1
	16	00507090-2090	FRAME, CONVEYOR	1
	17	01069645-0006	TUNNEL, CHAIN, CONVEYOR	1
	18	00533854-0005	PLATE, SLIDE, ROLLER, TAIL	1
	19	100031032	SIDEBOARDS, FLEX	2
	20	100027538	FRAME, GATHERING HEAD	1
	21	03069850-0140	SPROCKET, FOOTSHAFT, GATHERING HEAD	1
	22	03567704-0151	CHASSIS	1
	23	00483001-0124	BUMPER, CHASSIS	1
	24	03069629-0143	TUBE, DRAWING	1
	25	00571379-0212	FILTER, DUST COLLECTOR	1
	26	01567456-0000	ELEMENT, FILTER, RESTRICTOR	1
	27	00506248-0040	PUMP, HYDRAULIC	1
	28	03011741-0036	GAUGE, LEVEL, HYDRAULIC FLUID	1
	29	01562673-0002	ELEMENT, FILTER, HYDRAULIC FLUID	1
	30	01067605-0001	ELEMENT, FILTER, PRESSURE, HYD. FLU	1
	31	00503043-0019	VALVE, CHECK, SPIN-ON FILTER	1
	32	03047404-0009	GAUGE, PRESSURE, GATHERING HEAD	1
	33	01565310-0014	ELEMENT, FILTER, REMOTE CONTROL	1
	34	00534429-0001	VALVE, PILOT, SHEAR CIRCUIT	1
	35	00720162-0009	HOSES, REPLACEMENT, CHASSIS	1
	36	01567191-0062	FILTER, WATER	1
	37	00534048-0007	METER, FLOW, WATER	1
	38	03047404-0014	GAUGE, PRESSURE, WATER	2
	39	00703487-0051	NOZZLE, SPRAY, DUST SUPPRESSION	1
	40	03047404-0016	GAUGE, WATER, PRESSURE, DUST COLLEC	1
	41	03055280-0011	COOLER, HYDRAULIC OIL	1
	42	00503246-0016	ACCUMULATOR, BATTERY-BACKUP, FIRE,	1
	43	03069842-0002	PUNCH, SLEEVE	1
	44	01452026-0000	PLIERS, RETAINING RING	1

MISCELLANEOUS

	Item	Part Number	Description	Qty
	45	00603145-0004	MANUAL & CALIBRATION KIT, METH. MON	1
	46	01069448-3158	PLATE, SERIAL NUMBER	1
	47	01567337-0001	HOLDER, PLATE	1
	48	00810918-0000	TAPE, REFLECTIVE	0
	49	00820044-0000	SPECIFICATION, PAINT	1